

**Multiglaze<sup>®</sup>**  
**Suite**  
**Virtue of**  
**Simplicity**

# Multiglaze Suite

---

The Multiglaze suite provides design flexibility whilst maintaining a streamlined appearance. Designed to suit 13mm plasterboard, the suite is available to suit 51 and 64mm stud thicknesses.

Sturdy door frame concept through the use of the three point fixing design creates firm and secure frames, also accommodating a range of door thicknesses.

This system is also well suited for silicone butt-jointed glass partitioning. Installation is simplified, resulting in a more permanent office division with added privacy, security and acoustic benefits.

Specifications and photos of the Multiglaze 80 and 90 suites are contained within this brochure.

Take a look inside and discover the 'virtues of simplicity'.



# Multiglaze 80

Virtue of simplicity.

The Multiglaze 80 incorporates 51mm stud and 13mm plasterboard. This streamline suite provides an economical and flexible option which can be used to develop the office environment. The slim frame is used around window and door frames, simplifying the installation procedure.

### Features of the Multiglaze 80

- Designed to suit 51mm stud and 13mm plasterboard
- Suits CAB2 polyester insulation for acoustic benefits
- Streamline
- Glazing pocket incorporates 6mm to 10mm glass





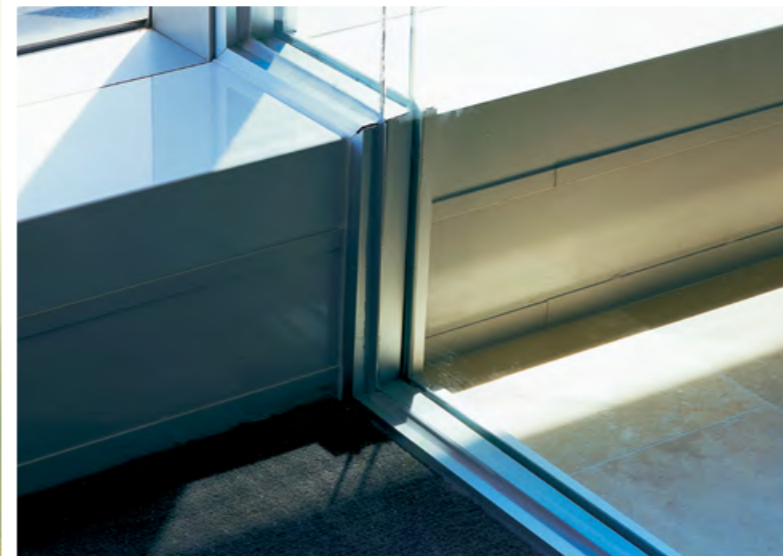
# Multiglaze 90

Virtue of simplicity.

The Multiglaze 90 incorporates 64mm stud and 13mm plasterboard.

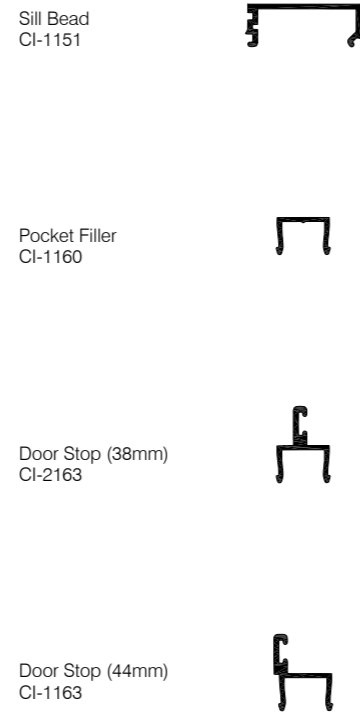
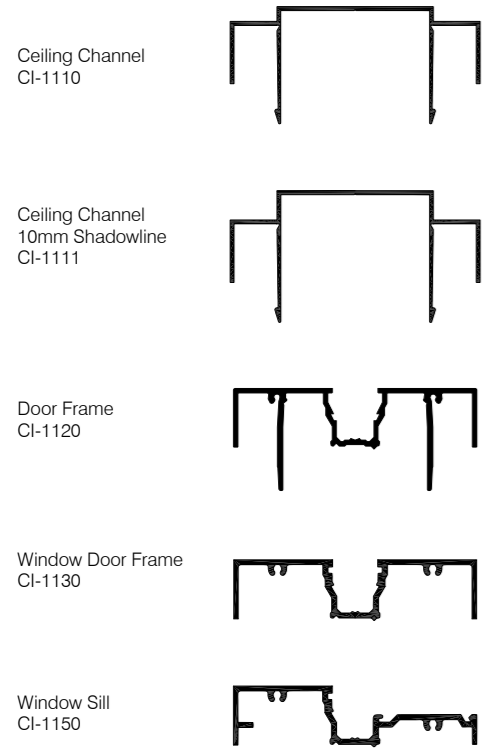
### Features of the Multiglaze 90

- Provides two plasterboard options:
  - 1) 64mm studs with a single skin of 13mm plasterboard on either side of the stud, or
  - 2) 51mm studs with a double skin of 13mm plasterboard on one side of the stud and a single skin on the other
- Offers acoustic performance
- Estimated sound rating for solid plasterboard walls:
  - RW 35 (without insulation)
  - RW 40 (with CAB3 Polyester Insulation)
- Glazing pocket incorporates 6mm to 10mm glass
- Door Stop options allow for 35mm or 44mm doors
- Suits CAB3 polyester insulation



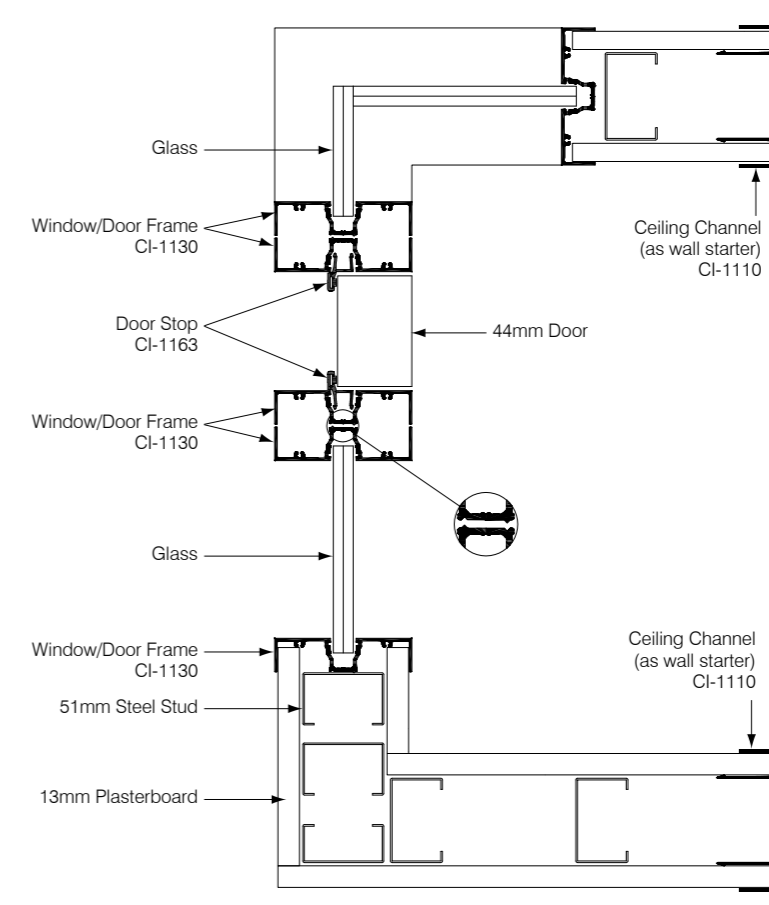
# Multiglaze 80

## To suit 51mm Studs

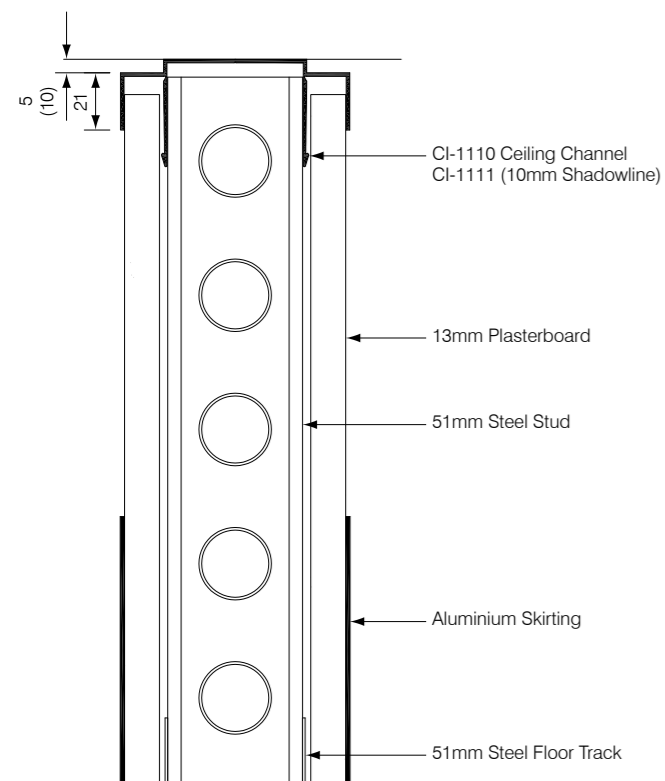


# Multiglaze 80

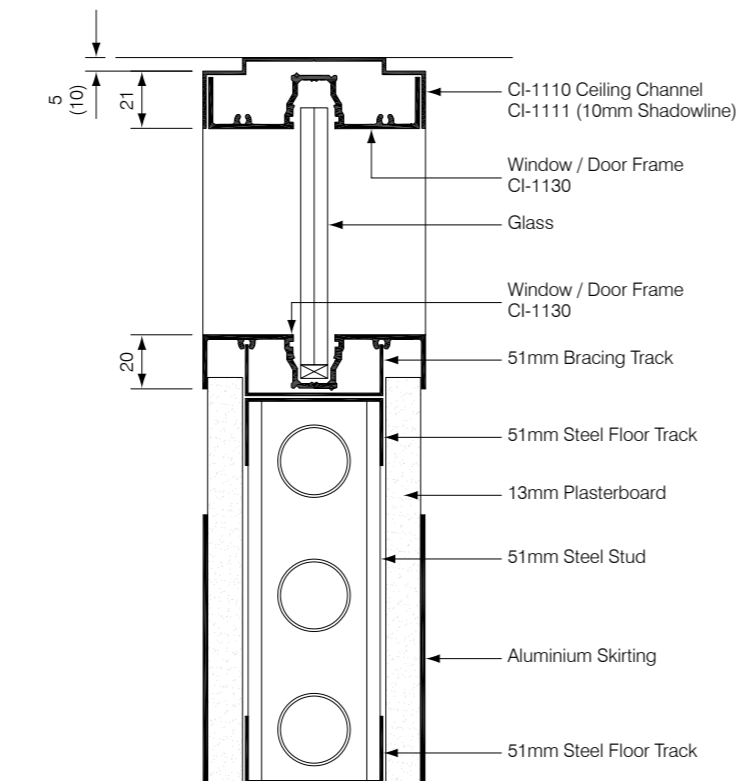
## Plan View



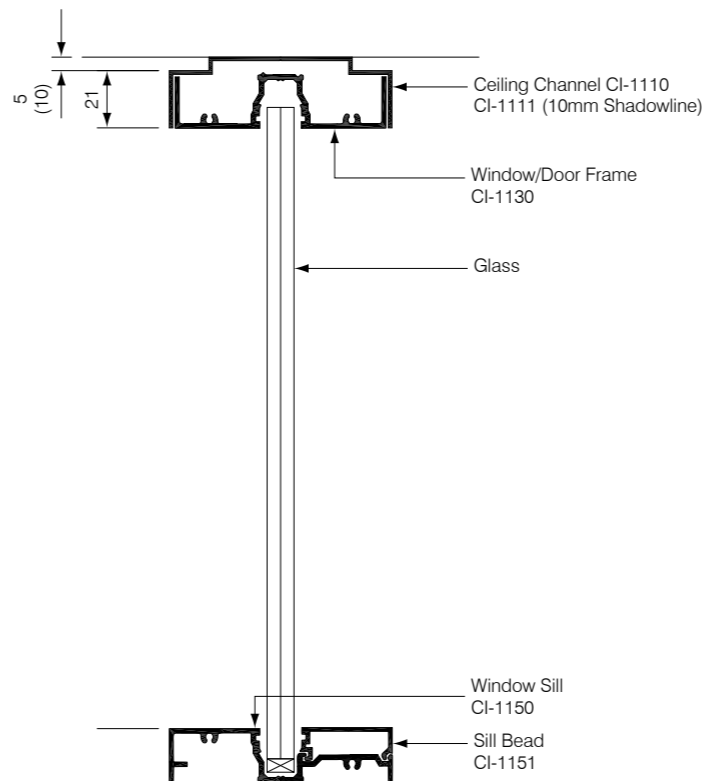
## Full Height Plasterboard Elevation



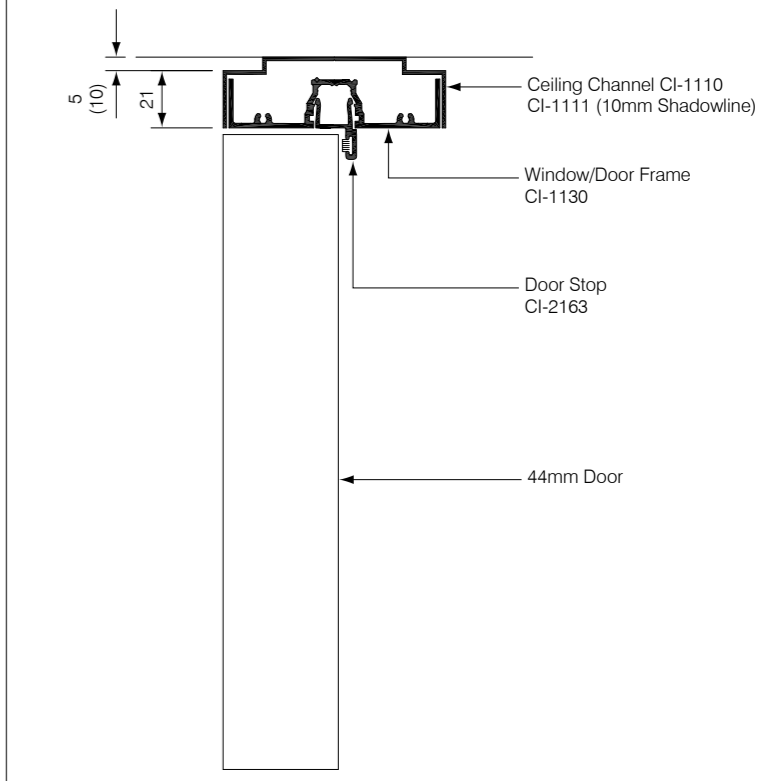
## Half Height Centre Glazing Elevation



## Full Height Centre Glazing Elevation

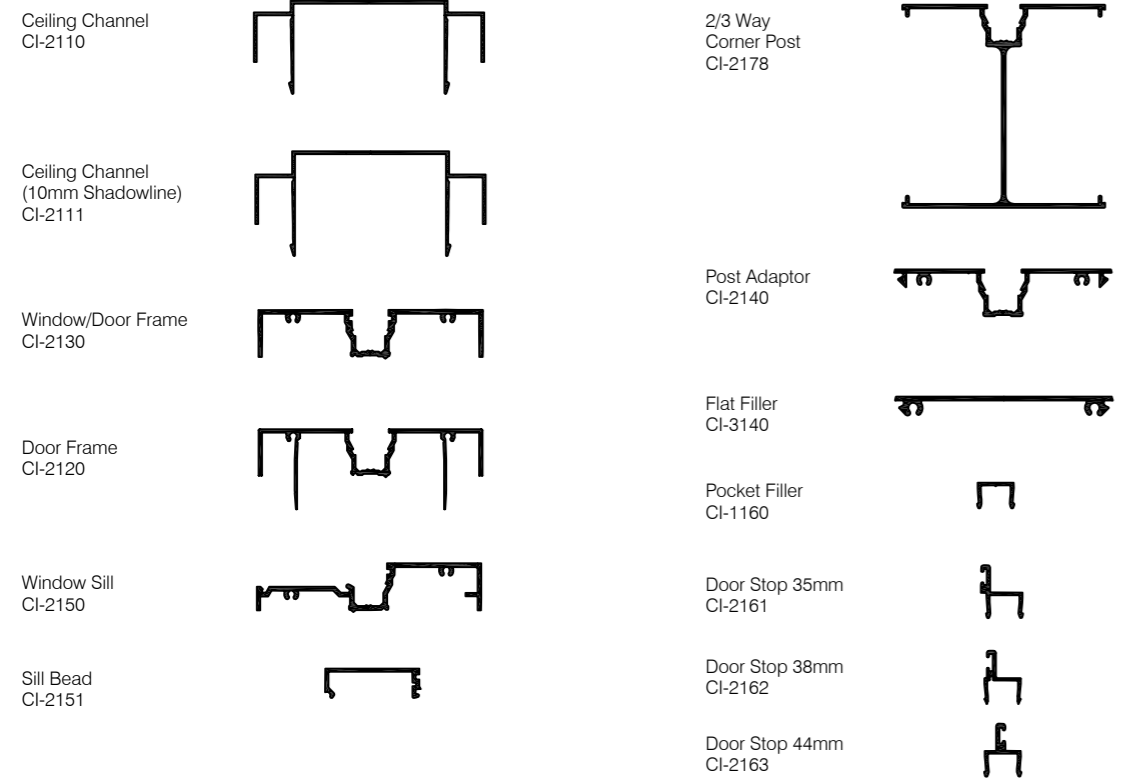


## Full Height Door Elevation



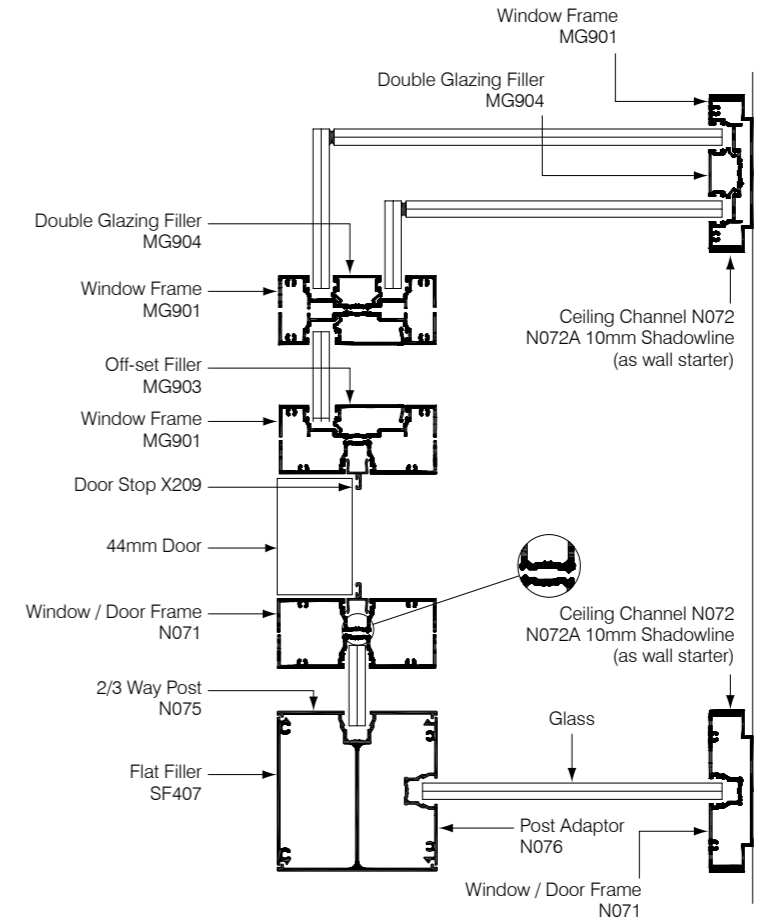
# Multiglaze 90

## To suit 64mm Studs

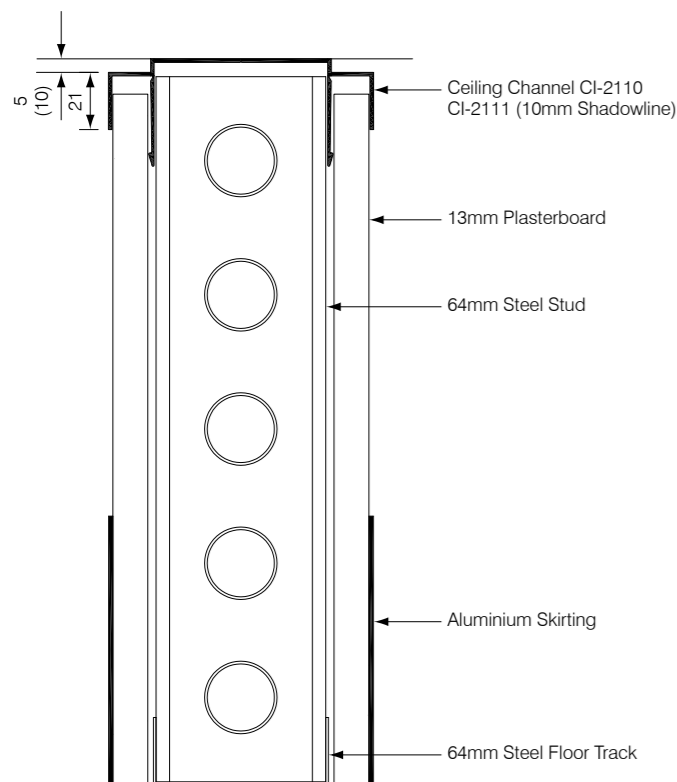


# Multiglaze 90

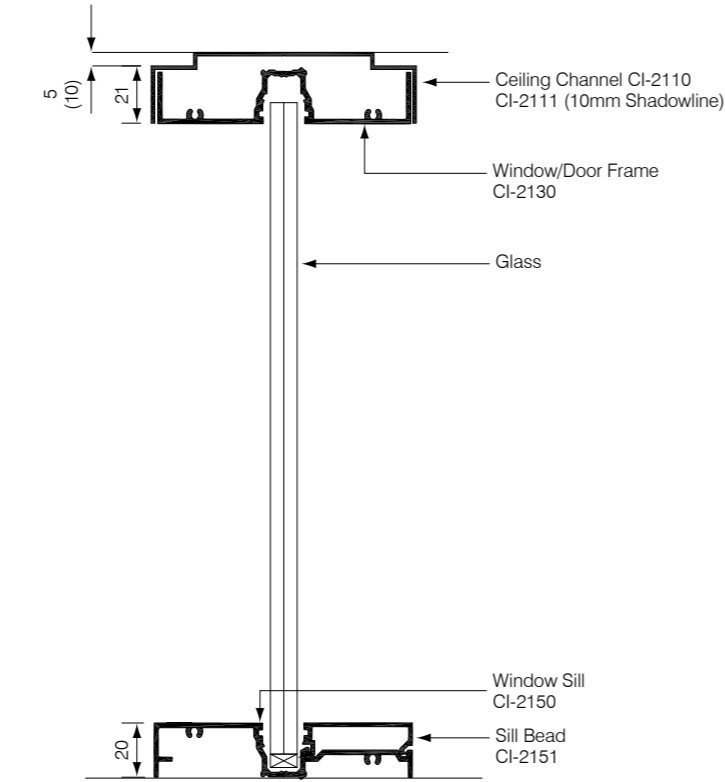
## Plan View



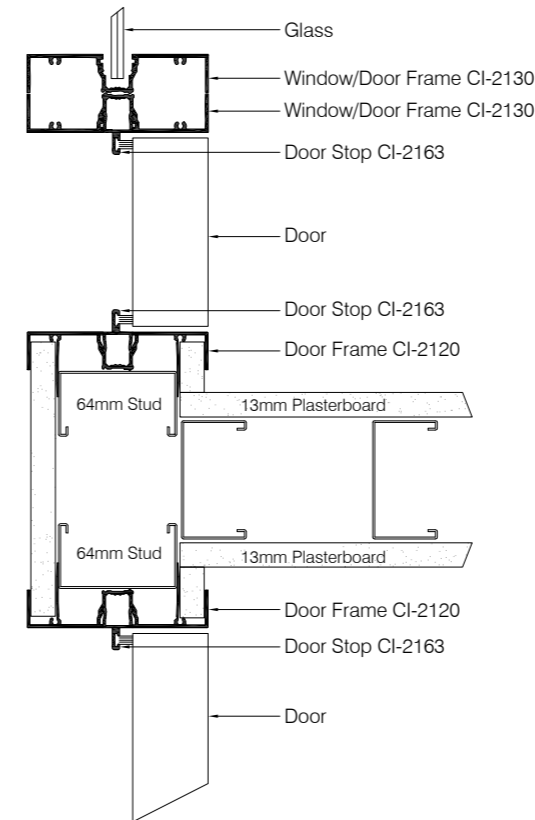
## Full Height Plasterboard Elevation



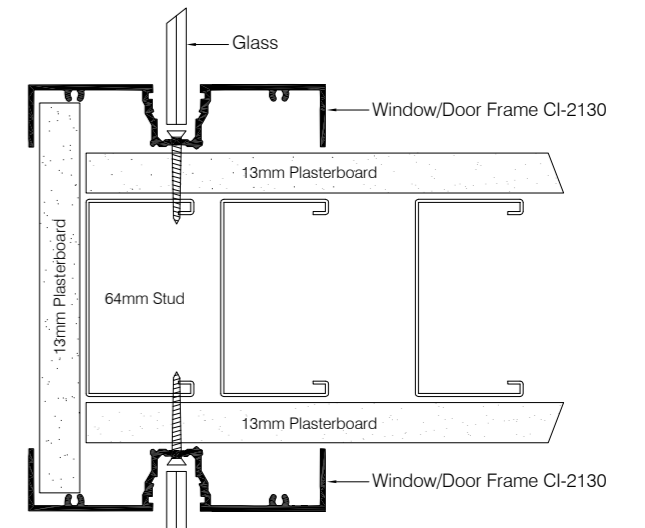
## Full Height Centre Glazing Elevation



## Doorway Junction Plan View



## End of Wall Junction Plan View



**Criterion Industries (VIC)**

15 Corporate Place  
Broadmeadows VIC 3047

Telephone 03 9355 0700  
Facsimile 03 9355 0777

[sales@criterionindustries.com.au](mailto:sales@criterionindustries.com.au)  
[www.criterionindustries.com.au](http://www.criterionindustries.com.au)

**Criterion Industries (NSW)**

95 Victoria Street  
Smithfield NSW 2164

Telephone 02 9355 0700  
Facsimile 02 9355 0777

[sales.nsw@criterionindustries.com.au](mailto:sales.nsw@criterionindustries.com.au)  
[www.criterionindustries.com.au](http://www.criterionindustries.com.au)

**Criterion Industries (WA)**

58 Tacoma Circuit  
Canning Vale WA 6155

Telephone 08 9355 0700  
Facsimile 08 9355 0702

[sales.wa@criterionindustries.com.au](mailto:sales.wa@criterionindustries.com.au)  
[www.criterionindustries.com.au](http://www.criterionindustries.com.au)