



rba

FLOOR MOUNTED, WALL FIXED DRINKING FOUNTAINS



RBA8902-100 Floor Mounted, Wall Fixed Drinking Fountain

Materials & Features

Floor Mounted, Wall Fixed Drinking Fountains are manufactured from heavy-gauge, type 304 stainless steel with all exposed surfaces in satin finish. Units incorporate integral splashback for hygiene & ease of cleaning. Smooth radiused design eliminates sharp corners.

Height: Fountain rim is 915mm above FFL.

Outlet: Integral perforated drain. Furnished with 40mm BSP waste connection.

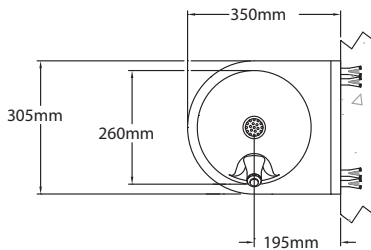
Bubbler: Supplied with chrome plated, shielded bubbler with self-closing push button valve. Valve includes flow adjuster and strainer. Water inlet connection is 10mm compression fitting.

Installation

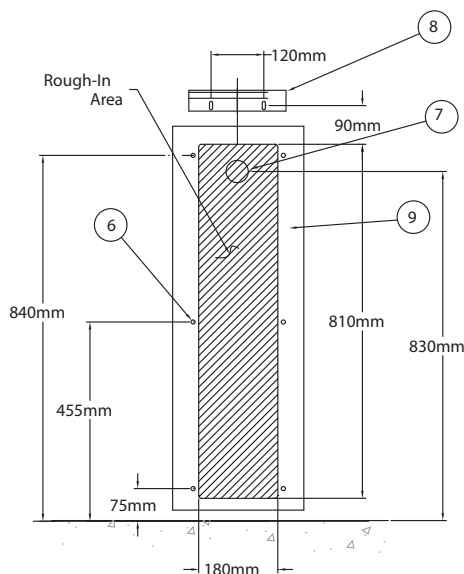
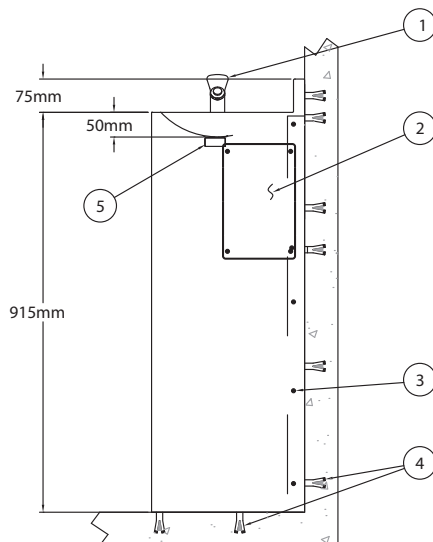
Ensure wall construction is suitable to support the unit. Mount unit to wall with Front-fixing frame and S-clip provided. Fixings screws not furnished. Do not rough in without certified dimensions.

Important: Installation instructions and current rough-in details should be furnished with each fixture. Do not rough in without certified dimensions. Dimensions are subject to manufacturer's tolerance of +/-10mm.

- 1 Bubbler with 10mm OD Compression connection
- 2 Stainless Steel Access Panel



- 3 Vandal Resistant Fasteners
- 4 Wall & Floor Anchors (By Others)
- 5 40mm BSP Waste Connection
- 6 9mm DIA. Anchoring Holes
- 7 Waste outlet for Hardies 40mm "P" trap
- 8 "S" Clip
- 9 Mounting Frame



RBA8902-100 FLOOR MOUNTED, WALL FIXED DRINKING FOUNTAIN

As improvements in the design and performance of RBA products are continuous, specifications may be subject to change without notice. The illustrations and descriptions herein are applicable to production as of the date of this Technical Data Sheet. Revised 07/11 Printed in Australia © 2011 by RBA Group TD/Model RBA8902-100/0711