



**THE AUSTRALIAN  
TRELLIS DOOR CO.**

P: 1800 657 435  
E: [trellis@trellisdoors.com](mailto:trellis@trellisdoors.com)  
[www.trellisdoors.com.au](http://www.trellisdoors.com.au)

## S08 CURVED EXPANDING TRELLIS DOOR

The visually impressive S08 steel, curved, expanding security doors are proving to be increasingly popular for securing curved or circular apertures such as curved shopfronts and eateries, curved counter tops/bench tops, reception areas, office showrooms, cafes and hotel lobbies.

### TECHNICAL SPECIFICATIONS

**MATERIALS** Cross links spanning two uprights only (i.e. single link configuration). The expanding security system comprises an expanding trellis framed pattern with rigid top suspension track.

The door is constructed from vertically opposed steel sections manufactured in 12mm square tubes which are rigidly connected to one another by trellis linkages. The trellis linkages being steel flat bars, maintain proportional spacing between the vertical channels.

All sliding connections comprise industrial grade injection moulded nylon 6 components. Door weight is 12kg/sqm.

**TRACKS** Suspended from a heavy duty extruded aluminium top track with a series of heavy-duty top wheel hangar assemblies, these expanding doors can traverse a tight 90-degree angle through a standard 600mm radius turn. Special curves and S-shaped curved configurations are also achievable to suit the application at hand. No floor track is required, nor are any cumbersome removeable mullions.

**RIVETS** The rivets are rust proof ensuring there is no weakness unlike other expanding door systems. The rivets are used in a non-pivoting function to maximise strength and life.

**LOCKS** Through a series of intermediate up/down locking mechanisms, a user-friendly seamless lockup solution is offered to customers.

**HEIGHT & WIDTH** Available up to a height of 4100mm, the potential span is unlimited.

**COLOUR RANGE** The doors are available in either pearl white or black satin standard powdercoat finishes.

**WARRANTY** A 12-month warranty against defective materials and workmanship applies.

Australian Trellis Doors reserves the right to alter specifications without notice.



SYDNEY – MELBOURNE – BRISBANE – ADELAIDE – PERTH – CANBERRA – DARWIN – HOBART

# TECHNICAL SPECIFICATIONS:

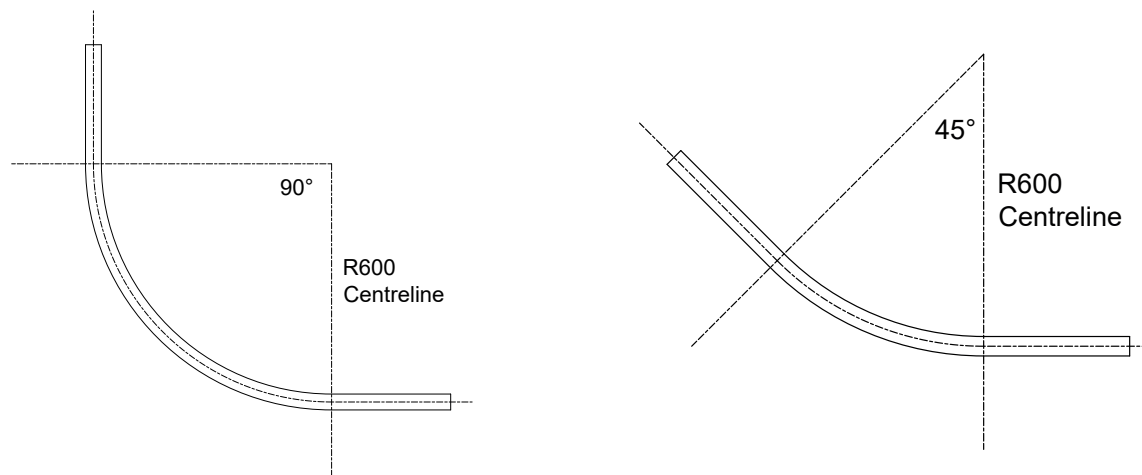
## STACKING SIZES

STACK TABLE DATA IS CORRECT FOR 3M OPENING HEIGHTS - CHECK WITH OFFICE FOR LARGER OR SMALLER OPENING HEIGHTS

S05 - SINGLE STACK TRELIS DOOR SPECIFICATIONS		1500	1750	2000	2250	2500	2750	3000	3250	3500	3750	4000	4250	4500	4750	5000	5250	5500	5750	6000	6500	7000	7500	8000	8500	9000	9500	10000
Pocket Internal Width	Opening Width																											
150	Pocket Internal Depth Minimum	330	380	410	440	470	510	540	650	680	710	750	790	820	860	890	920	970	1000	1030	1170	1240	1300	1440	1510	1590	1650	1710

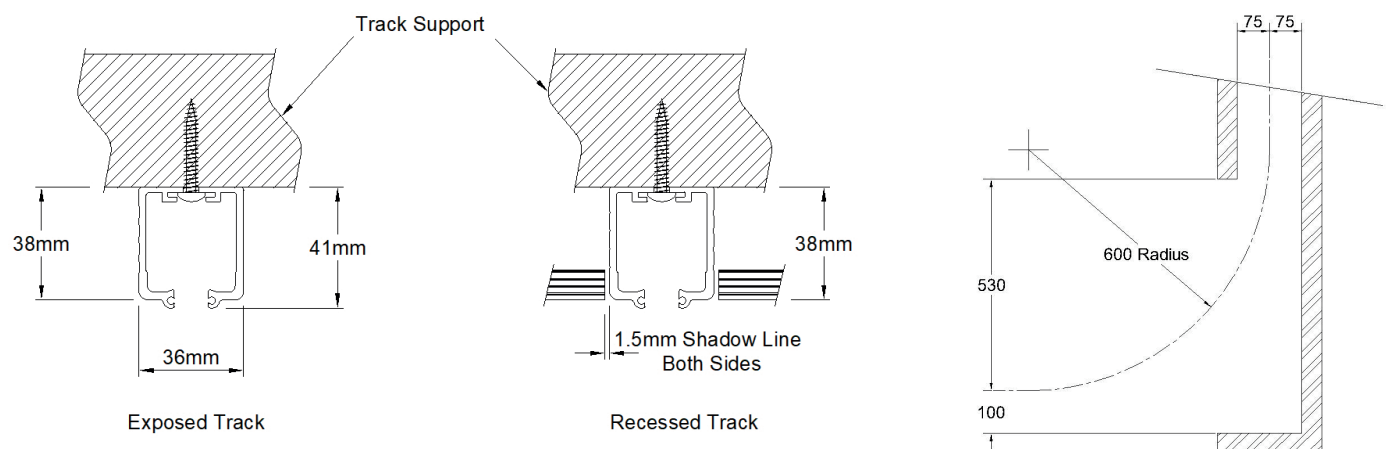
Please note stacking sizes above are indicative only. Please consult ATDC prior to finalising your stacking pocket.

## STANDARD RADIUS TRACK CURVES



All straight extensions are 300mm long

## CURVING INTO STORAGE CUPBOARD



S08