

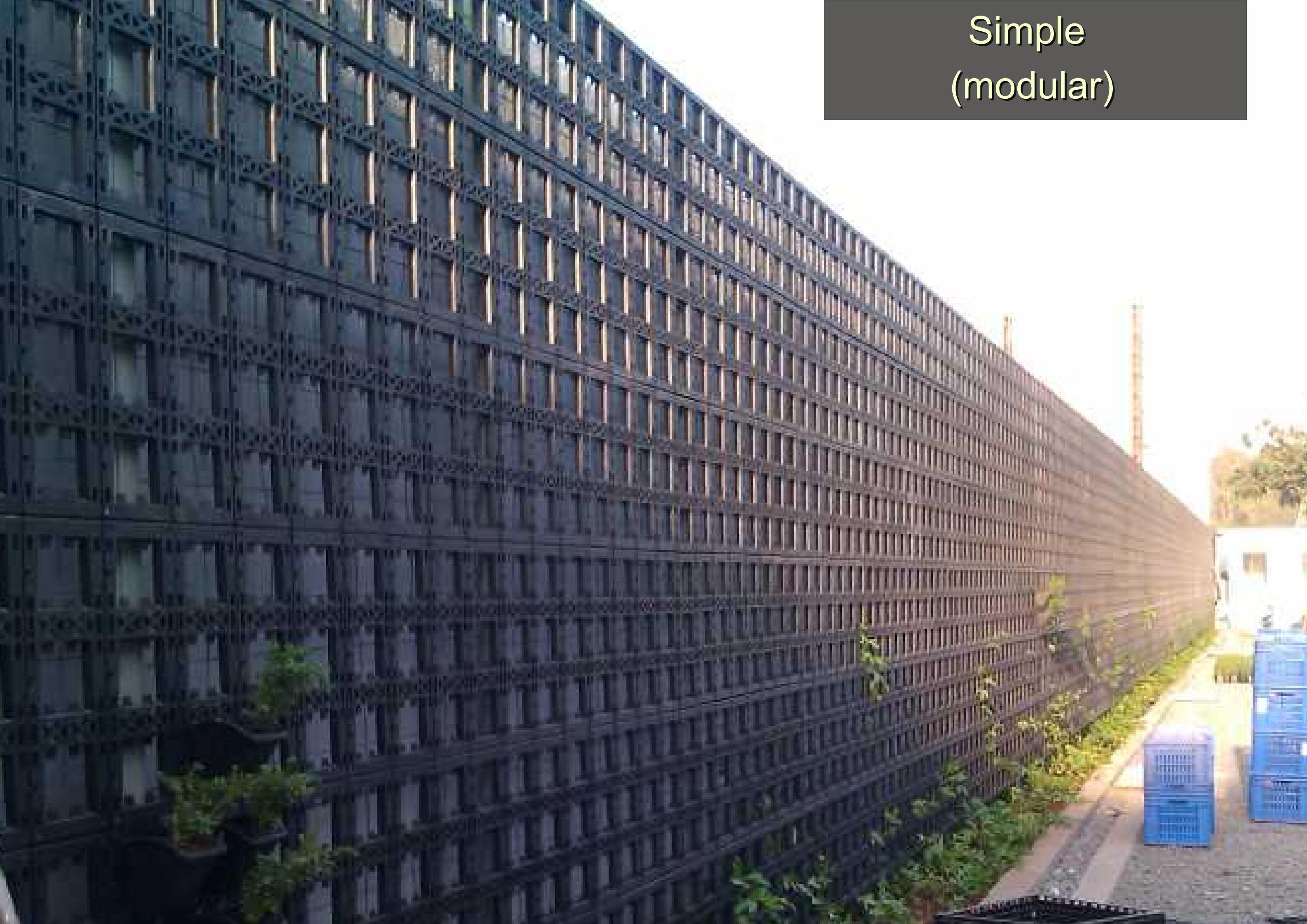


Flexible Vertical Gardening System

Simple
(one frame three pots)



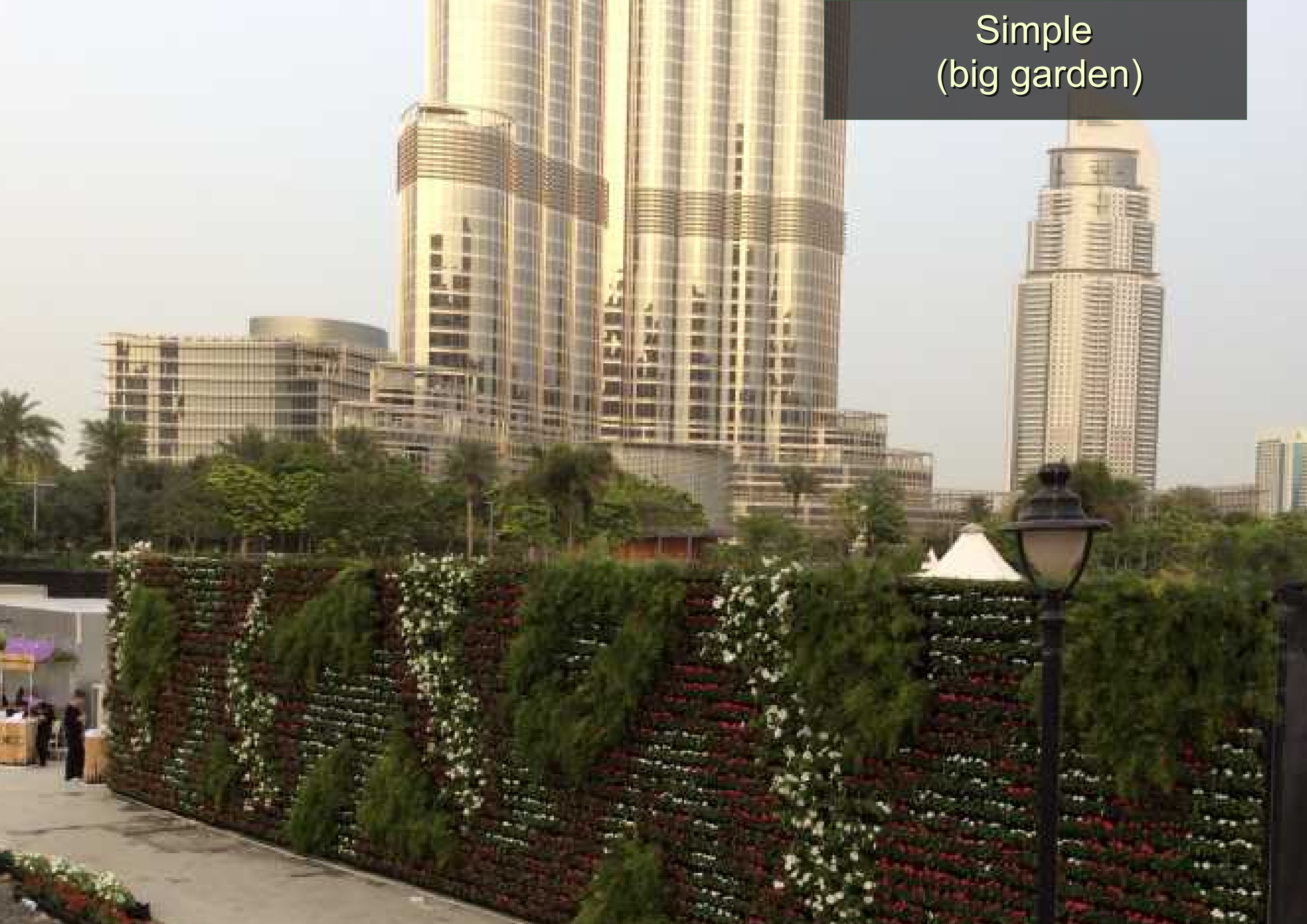
Simple
(modular)



Simple
(small garden)



Simple
(big garden)



Flexible
(wall garden)



Flexible
(tower garden)



Flexible
(curved walls)



Flexible
(free standing wall)



Sustainable
(supports various media)



Peat Moss



Coco Peat



Mulch



Vermiculture



Rock Wool



Potting Soil



Organic Manure

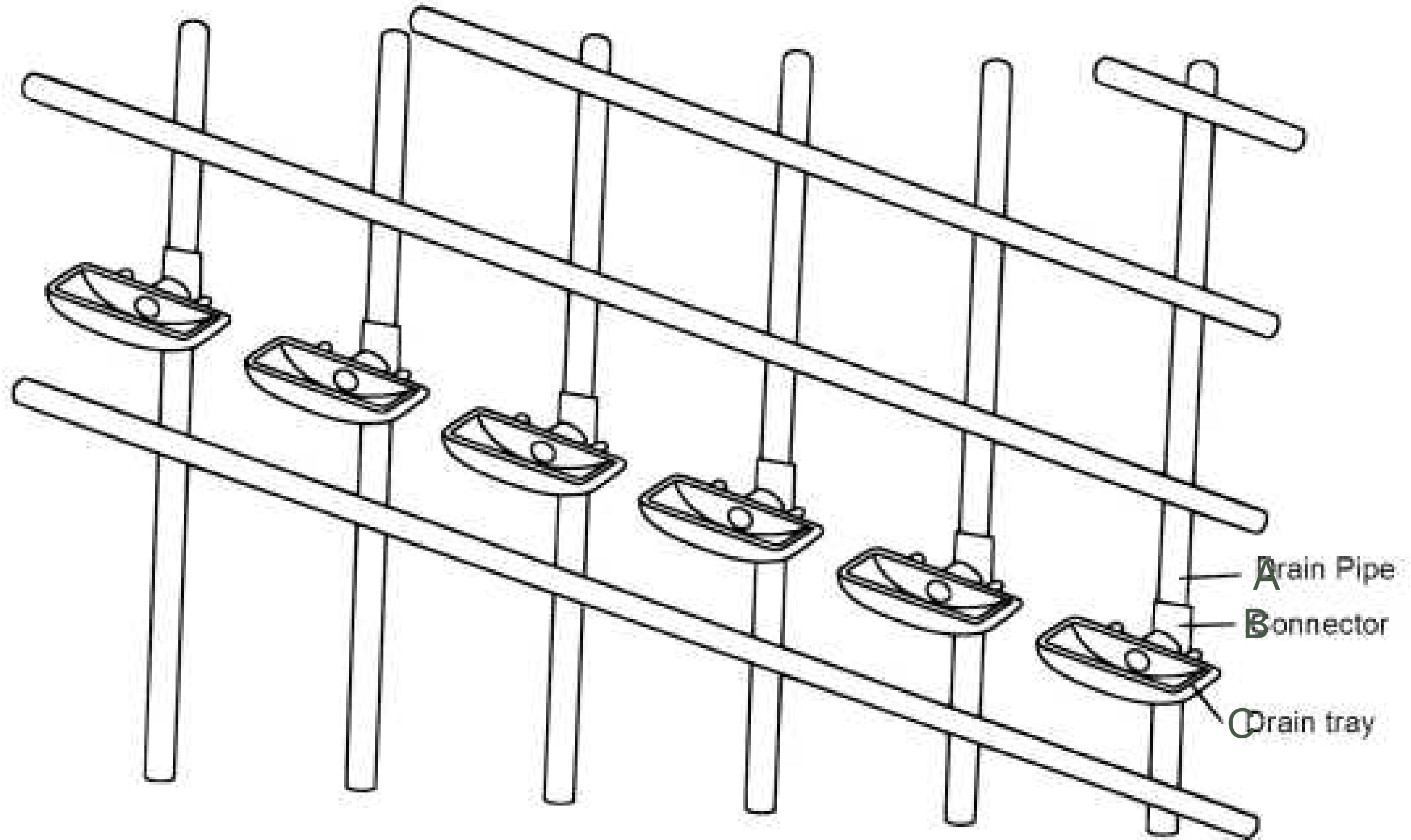


Perlite



Expanded clay balls

Sustainable
(drainage at every level)

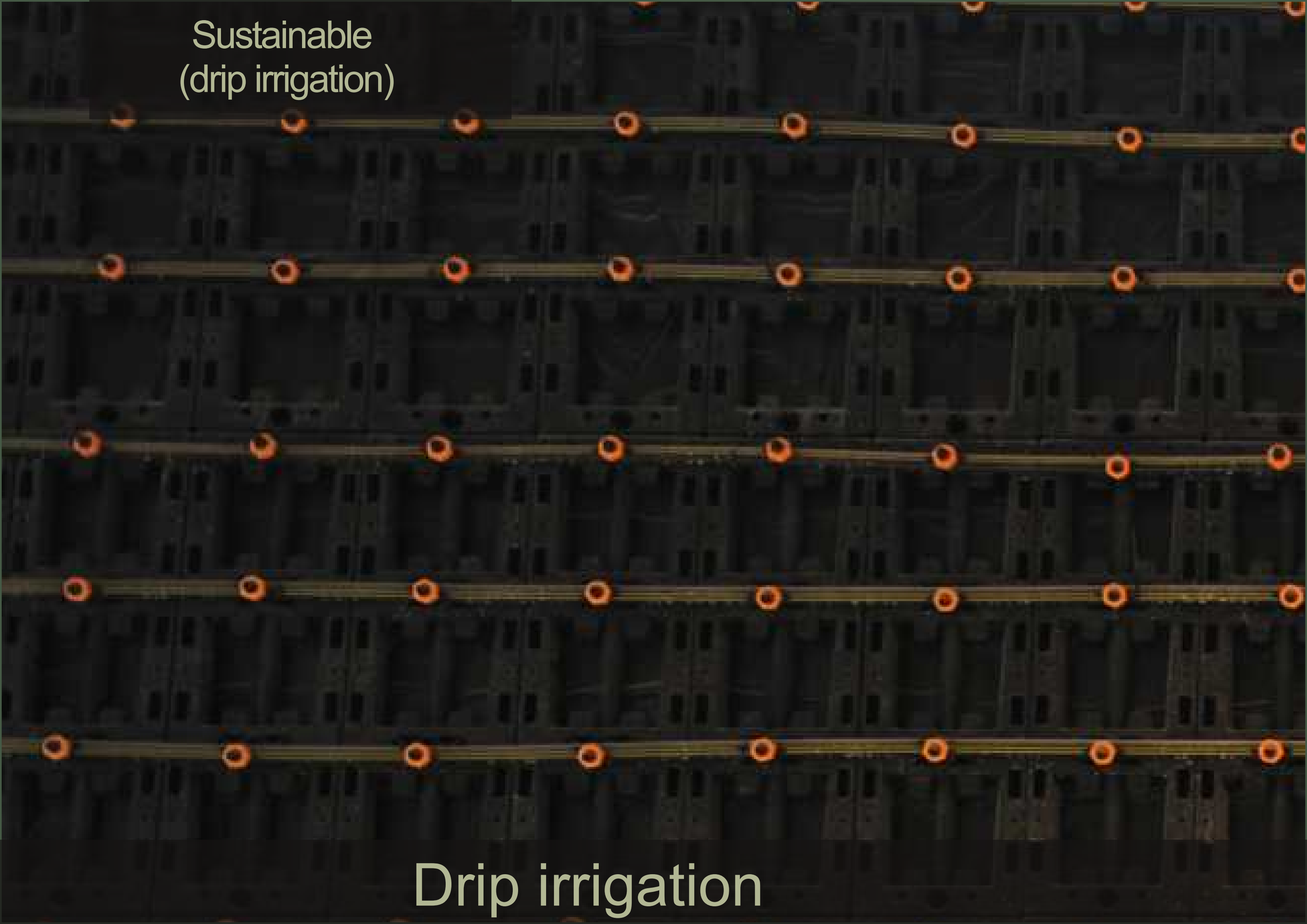


A - Drainage pipe

B - T Joint

C - Drain Tray

Sustainable
(drip irrigation)



Drip irrigation

Sustainable
(automation)



Creative
(greenery)



Creative
(outdoor garden)



Creative
(indoor garden)



Creative
(flower garden)



Multiple benefits

improves aesthetics
purifies air
promotes health
provides insulation

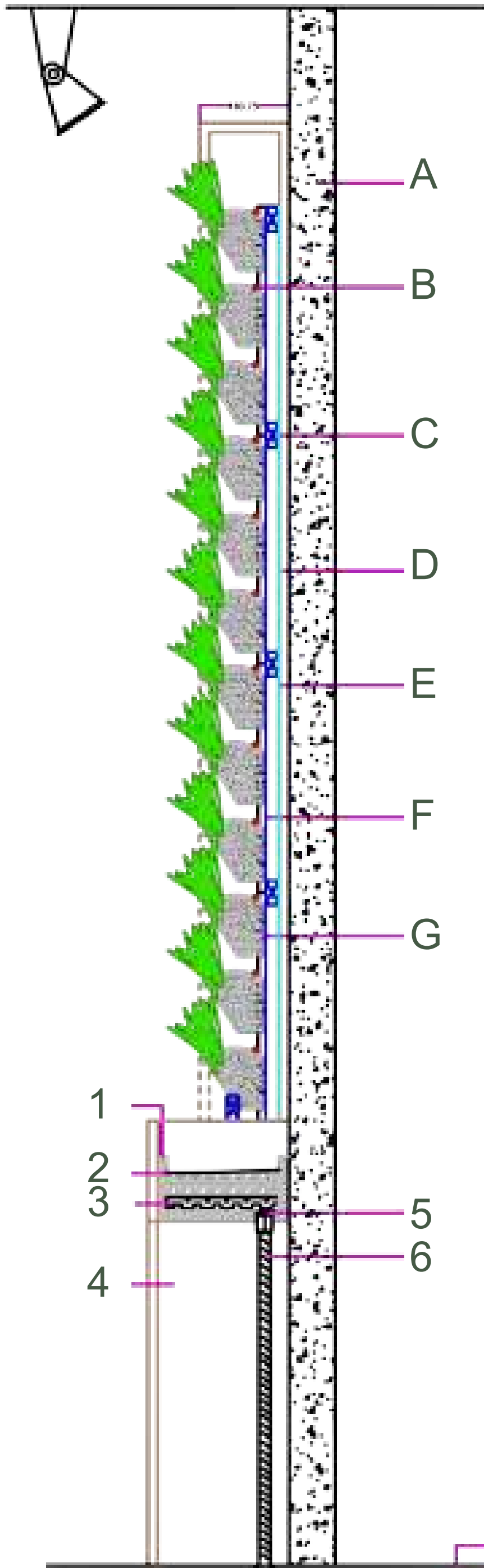


reduces temperature
saves water
higher rentals
increases building value

Multiple benefits



Sectional View



- A - Concrete Wall
- B - Irrigation Pipe 16 mm
- C - 40 mm x 20 mm
(Metal hollow pipe frame)
- D- 16 mm Plywood
at back of panel frame
- E- Waterproofing
membrane 1.5 mm
- F - JKD Frame fixed on
Marine Ply
- G- JKD FVGS planted
pots with growing medium

- 1 - Stainless steel drain tray
- 2 - Pebbles
- 3 - JKD Draincells 20 mm
- 4 - Storage
- 5 - Water coupling 40 mm
- 6 - Drain Pipe
- 7 - Floor

Front Elevation



A - Cladding

B - Plants

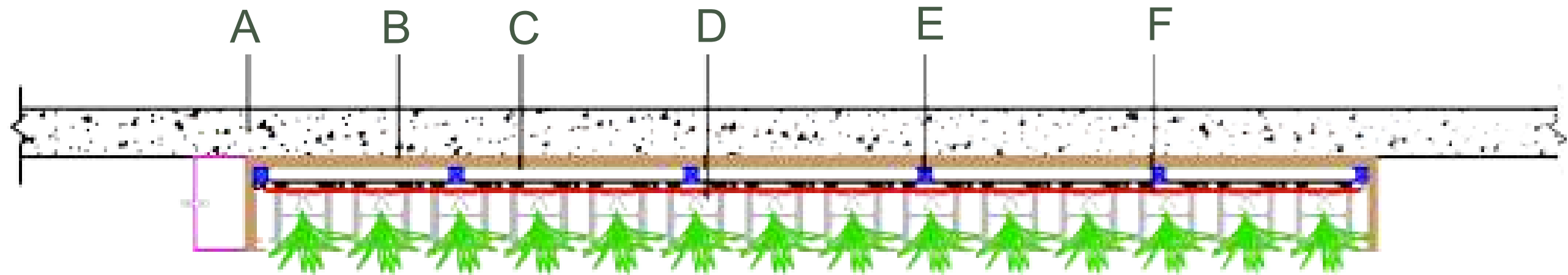
C - Pots

A

B

C

Plan View



A - Concrete Wall

B - 16 mm Plywood at back of panel frame

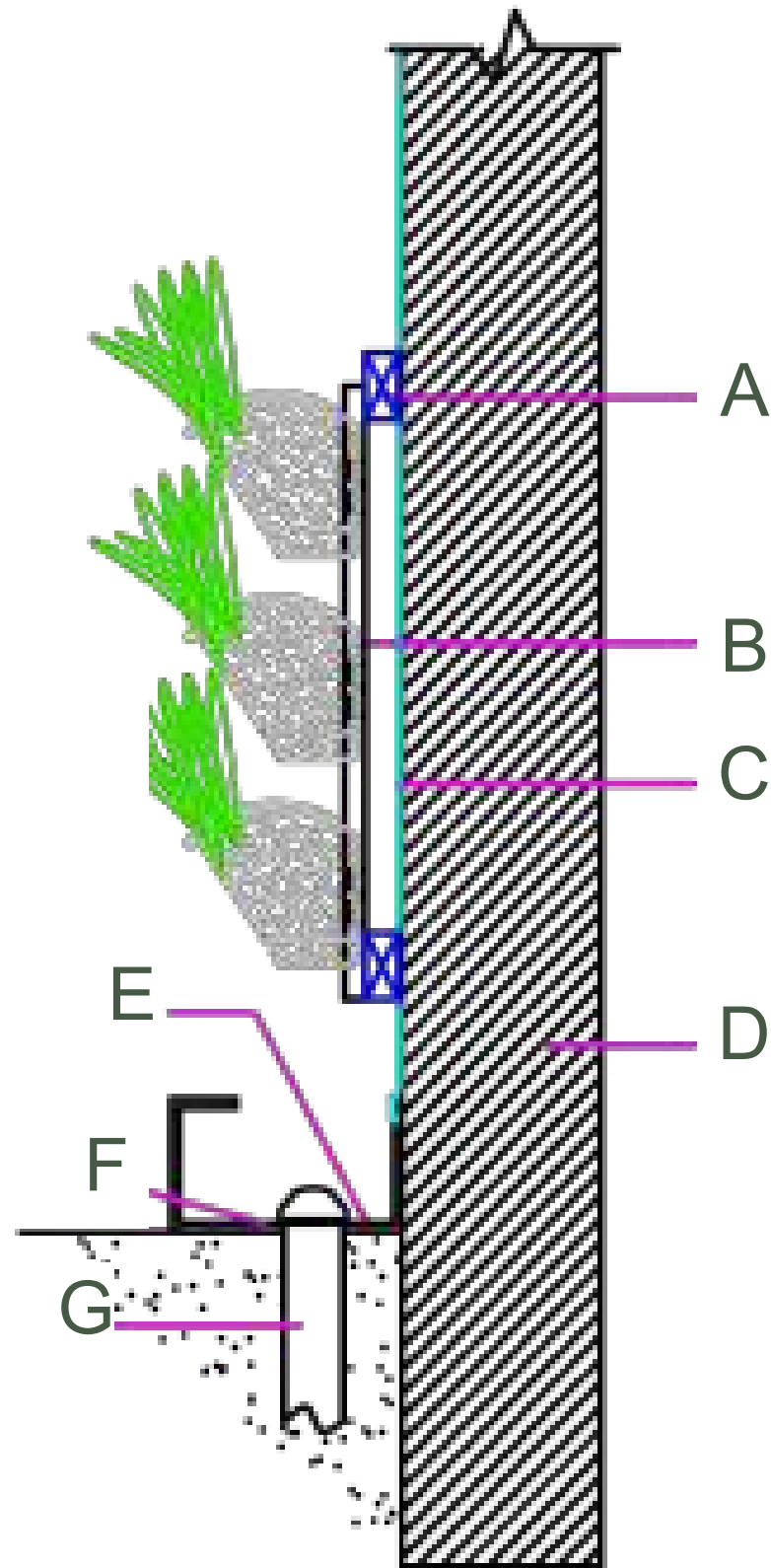
C - Waterproofing membrane 1.5 mm

D- JKD FVGS Frames and Pots

E- 40 mm x 20 mm - Metal hollow pipe frame

F - Irrigation Pipe 16 mm

Drainage Option 1



A - 40 mm x 20 mm - Metal hollow pipe frame

B - JKD FVGS Frames

16 mm Plywood at back of panel frame

C - Waterproofing membrane 1.5 mm

D- Concrete Wall

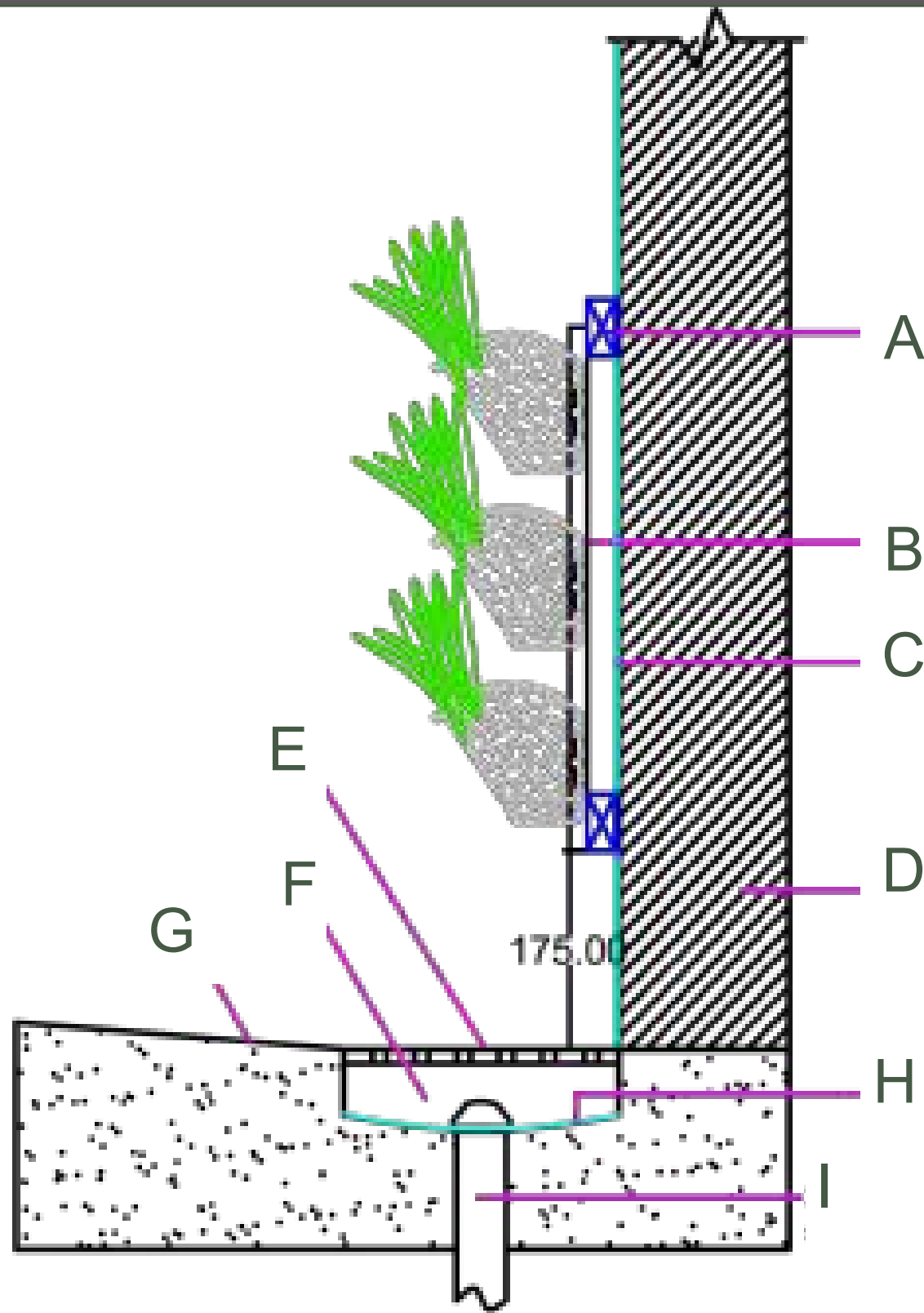
E- Stainless steel or Aluminium gutter drain

F - Drain cover

G - Drain Pipe

SECTIONAL DETAIL GUTTER DRAIN FOR EXTERIOR AND INTERIOR

Drainage Option 2



A - 40 mm x 20 mm - Metal hollow pipe frame

B - JKD FVGS Frames

16 mm Plywood at back of panel frame

C - Waterproofing membrane 1.5 mm

D- Concrete Wall

E- Metal grating cover

F - Trench drain area

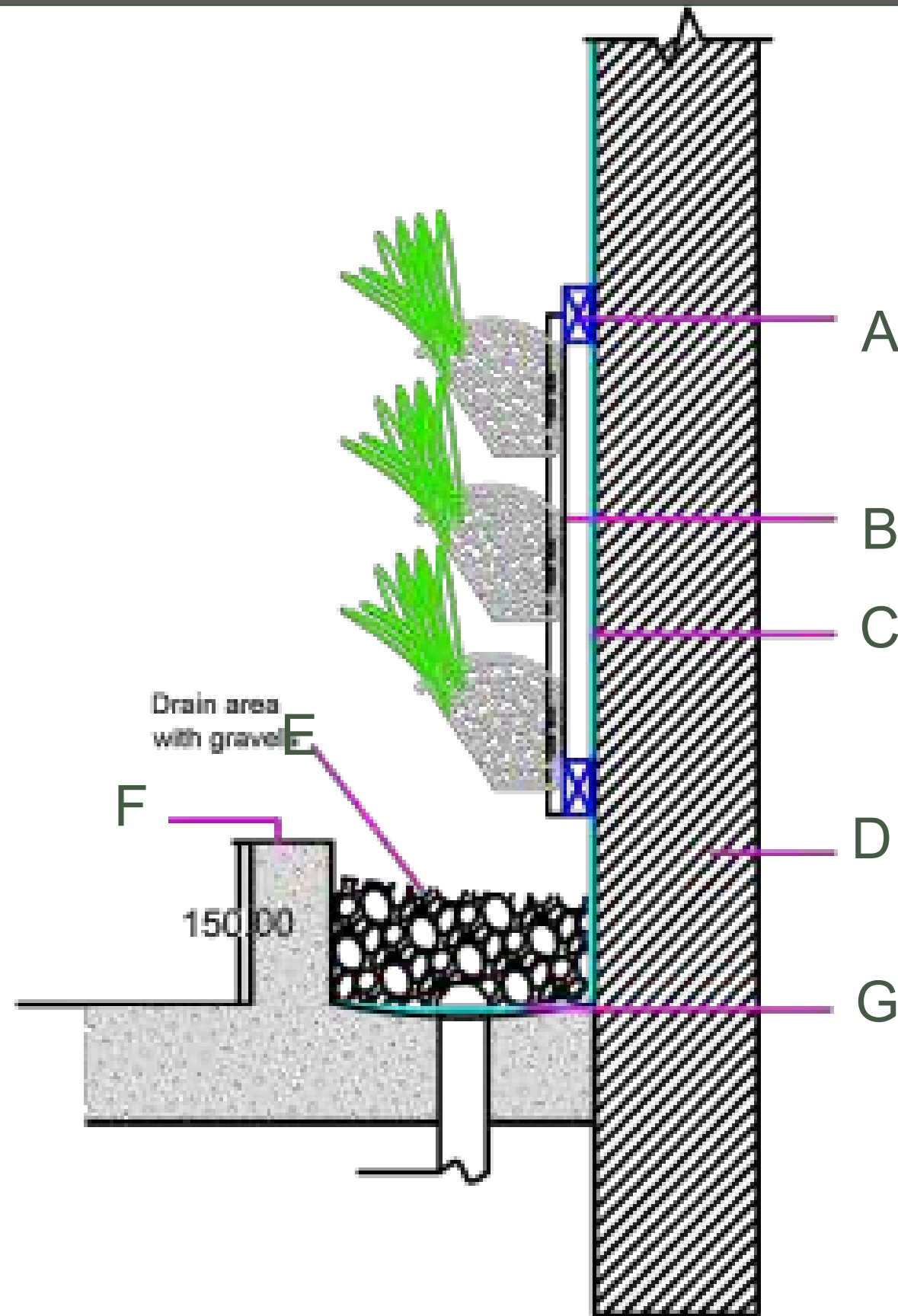
G - Slope from finish

H - Water Proofing

I - Drain Pipe

SECTIONAL DETAIL OF TRENCH DRAIN FOR EXTERIOR AND INTERIOR

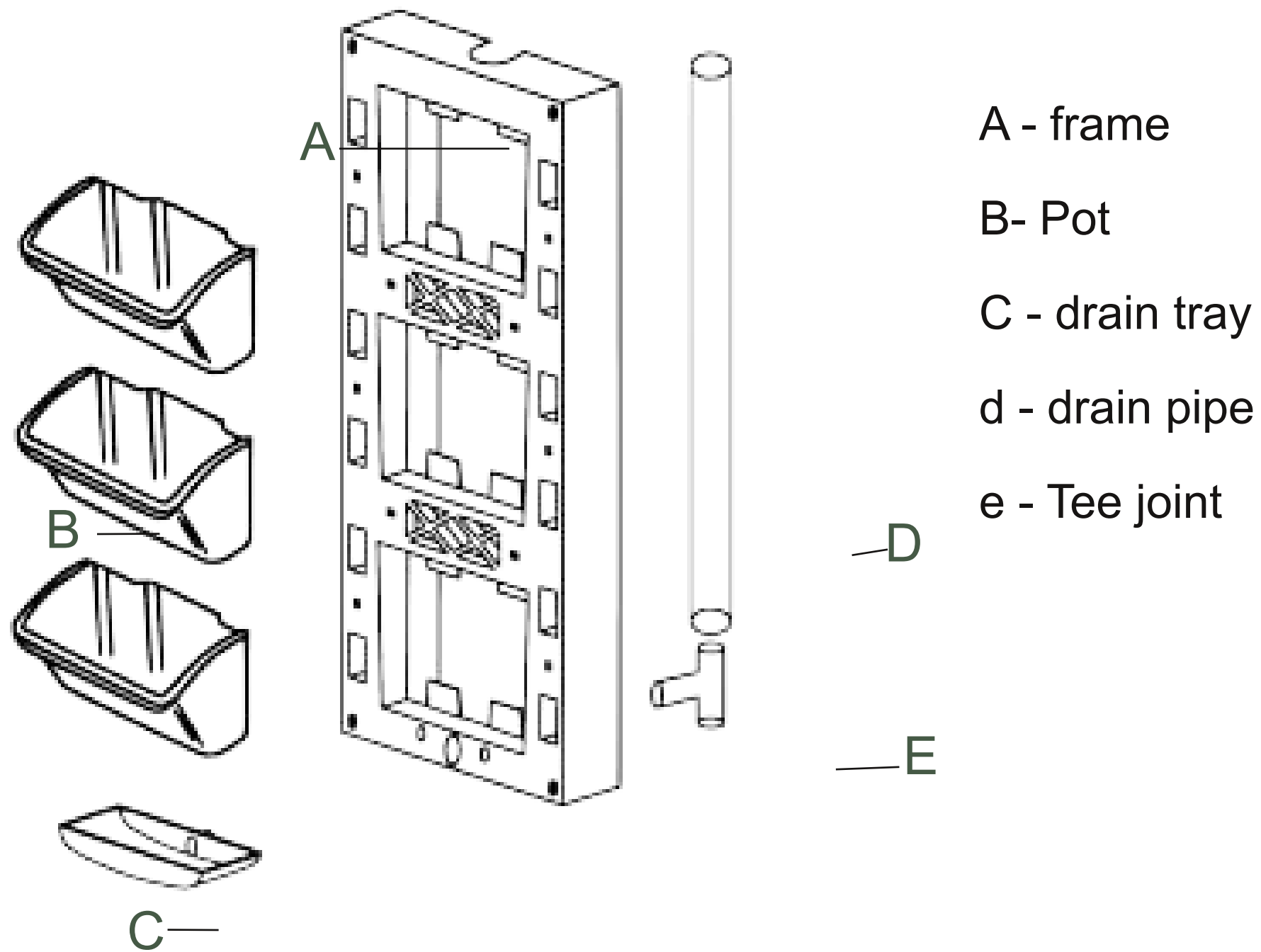
Drainage Option 3



- A - 40 mm x 20 mm - Metal hollow pipe frame
- B - JKD FVGS Frames
- 16 mm Plywood at back of panel frame
- C - Waterproofing membrane 1.5 mm
- D- Concrete Wall
- E- Drain area with gravels
- F - Finish curb around drain area
- G - Water Proofing
- H - Drain Pipe

SECTIONAL DETAIL OF CURB DRAIN FOR EXTERIOR AND INTERIOR

Product details



Frame : 470 (h) x 160 (w) mm

Frame thickness : 40 mm

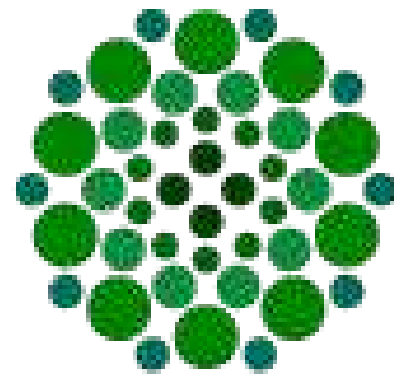
Pot capacity : 1000 ML

Material : Polypropylene

Temperature : -40°C to 80° C

Colour : Black

Contact us



vista
concepts

PO Box 7477 Toowoomba South QLD 4350, Australia

Phone: 07 46357080

National Sales 1 300 621 787

E: ross.p@vistaconcepts.com.au

W: www.vistaconcepts.com.au

