

The future of **Insulation**

Residential thermal and acoustic insulation



Fletcher[®]
Insulation

*We safely deliver extraordinary
value to our customers*

Pink® insulation at home



20 good reasons to choose PINK® batts

1. Improve comfort in summer by reducing heat GAIN via walls and ceilings
2. Improve comfort in winter by reducing heat LOSS via walls and ceilings
3. Improve comfort by reducing noise transfer through ceilings and walls
4. Reduce the need for artificial heating and cooling
5. Reduce the operating times and settings of heaters and air conditioners when they are used
6. Allows heaters and air conditioners to operate more efficiently making them more reliable and extending their life
7. Safe due to superior fire performance – non combustible
8. Safe to use with downlights (when installed as per manufacturer's instructions)
9. Safe due to bonded fibres that do not move around in the attic space or enter the house
10. Safe to use with allergy sufferers due to low VOC content
11. Easy to cut and install by DIY
12. Performs equally well in summer & winter conditions
13. Will not settle – thereby providing optimum performance for the life of the home
14. Guaranteed to perform to AS/NZS 4859.1 2002 including Amendment 1
15. Sustainable product made from approximately 80% recycled glass. Saving more energy in its use than the energy used in its manufacture.
16. Australian made and proud of it
17. Save on energy bills
18. Save on greenhouse gas emissions
19. Save the environment
20. Good Environmental Choice Australia certified product.



Trusted by Australians for over 50 years

Since 1956 Pink® insulation has been Australia's favourite insulation. It has undergone improvements and changes over that time to increase its efficiency in temperature control giving Australians even more comfort. Pink® insulation is safe to use and its bonded fibres and low allergen status makes it ideal for allergy sufferers.



FLI-2007
GECA 33-2007-
BUILDING INSULATION

GECA certification

Fletcher Insulation is Australia's first insulation company to be awarded GECA certification for its Pink® insulation and building blankets range of products. This independent accreditation system recognises the development and manufacturing of products that have proven environmental performance. GECA accreditation benefits consumers in knowing that their choice of our product range for their insulation requirements will help reduce greenhouse gas emissions and reduce the impact on the environment during the product's entire life cycle.



*The above logos apply to glasswool products manufactured by Fletcher Insulation.

Pink Batts® thermal insulation

Insulation plays a vital role in increasing the comfort of your home by stabilising internal temperatures and reducing noise transmission. Importantly, insulation also helps reduce energy costs for heating and cooling which is good for the family budget and environment.

Pink Batts® insulation are environmentally sustainable products that improve the energy efficiency of our homes.

Using less energy in the home helps reduce greenhouse gas emissions. Pink Batts® are made from up to 80% recycled glass, saving more energy in its use than the energy used in its manufacture.

By installing Pink Batts® insulation you not only increase your home's comfort levels, you are also helping to sustain the world for future generations to enjoy.

The thermal performance of an insulation batt is determined by its R-value. This is an internationally accepted measure of its ability to resist the flow of heat. The higher the R-value, the more effective the insulation.

R-VALUES	APPLICATION/USE
R1.5 Wall Batts	The standard batt designed for insulating walls
R2.0 Wall Batts	Extra performance for harsher climates
R2.5 High Density Wall Batts	Optimal 90mm wall insulation - used to meet 6 star requirements in a 90mm wall cavity
R2.5 Ceiling Batts	The batt for mild climates
R3.0 Ceiling Batts	The perfect choice for climate zones 1, 2 and 3
R3.5 Ceiling Batts	Just right for climate zones 4, 5 and 6
R4.0† Ceiling Batts	Ideal for meeting 6 star requirements in the more severe climate zones 7 and 8
R5.0† Ceiling Batts	Extra performance for harsher climates
R6.0† Ceiling Batts	Used to meet requirements for 6 star and beyond

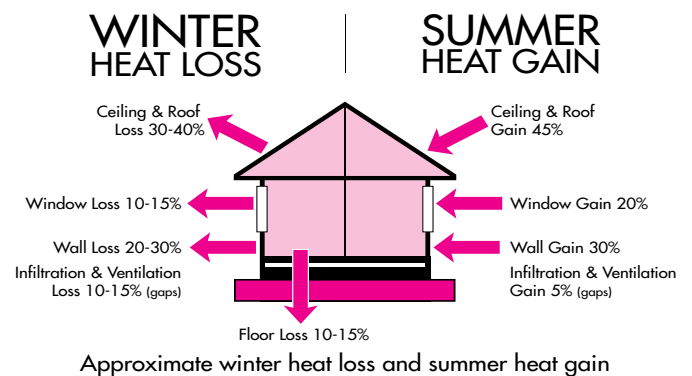
†Not stocked in all locations.

Get in the PINK®

By installing Pink Batts® insulation you reduce heat transfer by up to 60% resulting in great savings on your energy bills, not to mention how comfortable you'll be.

Pink Batts® insulation can actually reduce summer heat in your home by up to 12°C.

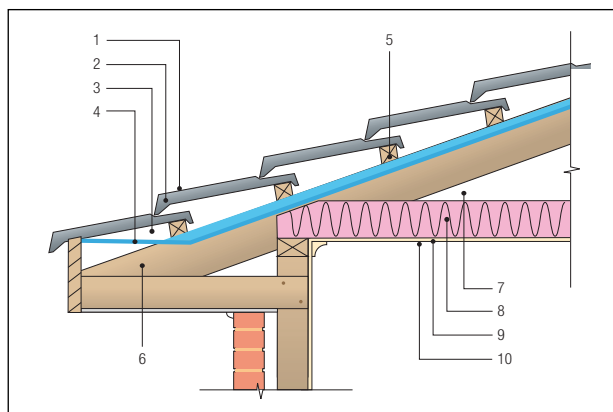
Pink Batts® insulation products are non-combustible so there's no increased fire risk and they can be used with confidence around downlights when installed as per the manufacturer's recommendations.



RESIDENTIAL PITCHED TILED ROOF WITH FLAT CEILING

With R4.0 Pink® Ceiling Batts and Sisalation® Fall Arrest Tiled Roof Sarking ExHD
 Winter = R5.2*
 Summer = R5.4*

*System R-value, unventilated roof space, climate zones 1-7.



1. Outdoor air film
2. Tiled roof
3. Unventilated 40mm air space
4. Reflective insulation material
5. 40mm battens
6. 190mm rafter
7. Attic space
8. Pink Batts® ceiling insulation
9. 10mm standard plasterboard
10. Indoor air-film (non-reflective surface)

Permastop® Building Blanket in residential homes

STOP excessive noise

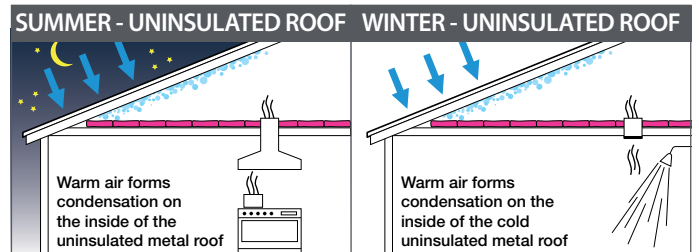
There's a certain Australian charm about a metal roof. They look great and the sound of gentle rain on the roof is music to the ears for some. It's when the sound of heavy rain, or even hail, reaches a deafening crescendo that they can be noisy and uncomfortable.

Permastop® Building Blanket fixed directly under a metal roof is effective in reducing noise levels entering homes from rain, hail, aircraft and other outside noises. Now residential homes can have the character of a metal roof without the compromise.

STOP heating and cooling loss

Permastop® Building Blanket has the added benefit of providing homes with proven thermal insulation to give you energy savings and makes homes even more comfortable.

Permastop® Building Blanket used in conjunction with Pink Batts® insulation in the ceiling gives even more effective insulation performance. In Australia's hotter areas Permastop® Building Blanket is particularly effective in reducing heat entering the roof space. Use Permastop® Building Blanket to maximise your ceiling insulation performance and increase all year round comfort.



STOP condensation in buildings

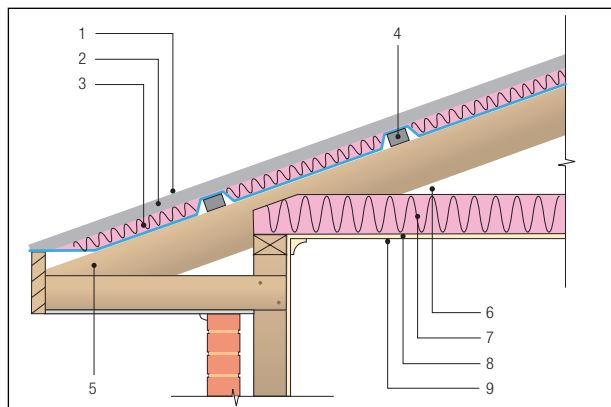
Permastop® Building Blanket incorporates Sisalation® reflective foil facing on one side. This combination acts as an effective barrier against condensation forming on the underside of metal roofs. Especially when warm, moist air is vented into the roof space from bathroom and kitchen fans and vented range hoods.



RESIDENTIAL PITCHED METAL ROOF WITH FLAT CEILING

With R1.3 55mm Permastop® Building Blanket and Pink® Ceiling Batts R3.0
 Winter = R5.3*
 Summer = R5.5*

*System R-value, unventilated roof space, climate zones 1-7.

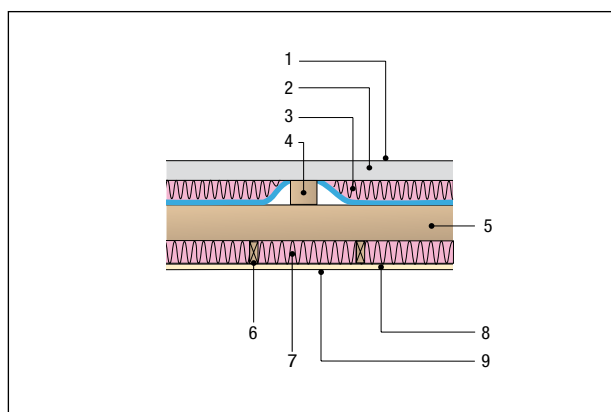


1. Outdoor air film
2. Metal roof*
3. Permastop® Building Blanket (Reflective insulation)
4. 40mm battens
5. 190mm rafter
6. Attic space
7. Pink Batts® ceiling insulation
8. 10mm standard plasterboard
9. Indoor air-film (non-reflective surface)

RESIDENTIAL FLAT METAL ROOF WITH PLASTERBOARD CEILING (CONCEALED RAFTERS)

With R1.3 55mm Permastop® Building Blanket and Pink® Ceiling Batts R3.0
 Winter = R5.3*
 Summer = R5.2*

*System R-value, unventilated roof space, climate zones 1-7.



1. Outdoor air film
2. Metal roof*
3. Permastop® Building Blanket (Reflective Insulation)
4. 40mm battens
5. 190mm rafter
6. Ceiling batten
7. Pink Batts® ceiling insulation
8. 10mm standard plasterboard
9. Indoor air-film (non-reflective surface)

Roof sarking and wall wrap

Sisalation® reflective foil insulation

Sisalation® reflective foil has been manufactured in Australia for over 50 years. During this time it has been used in the construction and insulation of millions of Australian homes and thousands of our most architecturally significant public and private buildings.

This experience and our intimate product knowledge is what sets Sisalation® reflective foil apart from the rest. So, when you purchase Sisalation® reflective foil not only are you purchasing The Original and The Best® in reflective foil laminate insulation but you're also assured every one of our products has been fine tuned precisely for its stated application.

Of course there are many different types of Sisalation® reflective foil and each is expertly designed for a specific end use application whether it is to be used for sarking under a new tiled or metal roof, or as wall wrap on a new home or extension.

No other brand of reflective foil laminate insulation can match its over 50 year track record of high quality Australian manufacturing and its unparalleled reputation for excellence, quality, customer service and innovation.

Australian Standards

All products in the range far exceed the minimum performance standards set out in Australian Standard AS/NZS4200.1 'Pliable building membranes and underlays'. They also perform exceptionally in achieving a low flammability index (not greater than 5) when tested to AS1530.2 making them suitable for use in bushfire prone areas of Australia and meeting building code requirements.

Benefits of Sisalation® reflective foil insulation

Insulation: All products in the range are tested in accordance with AS4200.1 and proven to provide significant life long insulation benefits.

Environmental benefits: Every product in the range has been proven not to contain any ozone layer depleting substances.

Quality: Every product in the range is manufactured in Australia under an ISO 9001 Certified Quality Management System.

Protection: Sisalation® reflective foil is the essential barrier to the elements for any building – providing protection against elements such as wind, dust, rain, noise and condensation.

APPLICATION	DUTY	PRODUCT TITLE	SIZE	M ² PER ROLL
Tiled Roof	Extra Heavy	Sisalation® Fall Arrest Tiled Roof Sarking ExHD	1500mm x 30m	45
	Extra Heavy	Sisalation® Residential Multipurpose ExHD	1500mm x 30m	45
	Heavy	Sisalation® Tiled Roof Sarking HD	1500mm x 30m	45
Metal Roof	Extra Heavy	Sisalation® Residential Multipurpose ExHD	1350mm x 30m 1350mm x 60m	40.5 81
	Heavy	Sisalation® Metal Roof HD	1350mm x 60m	81
	Medium	Sisalation® Metal Roof MD	1350mm x 60m	81
Wall wrap	Extra Heavy	Sisalation Wall Wrap® ExHD	1350mm x 30m 1350mm x 60m	40.5 81
	Medium	Sisalation Wall Wrap® MD	1350mm x 30m 1350mm x 60m	40.5 81

Custom printing is available. Please contact your Fletcher Insulation representative on 1300 654 444.

Tiled roof

- Specifically developed for installation under tiled roofs.
- Sisalation® Fall Arrest Tiled Roof Sarking ExHD has been independently tested and certified as a Fall Arrest Sarking.
- Suitable for installation in areas prone to high or seasonal winds.
- Installation*: Should be installed in accordance with AS/NZS 4200.2 'Installation requirements for pliable building membranes'. A minimum airspace of 40mm is required adjacent to the reflective foil face. All products being installed into a tiled roof application must be installed under the battens.

*See product datasheet for more details.



Metal roof

- Developed for metal roof applications.
- Sisalation® Metal Roof HD is a high performance, heavy weight product recommended for use in high wind areas.
- Sisalation® Residential Multipurpose ExHD is a versatile, extra heavy duty and economical residential roof sarking.
- Installation*: Should be installed in accordance with AS/NZS 4200.2 'Installation requirements for pliable building membranes'. A minimum airspace of 40mm is required adjacent to the reflective foil face. All products being installed into a metal roof application must be installed under the battens.

*See product datasheet for more details.



Wall wrap

- Sisalation Wall Wrap® ExHD and Sisalation Wall Wrap® MD wall wraps provide the ultimate protection against the elements.
- Wall wraps stop moisture from transferring from the external to the internal walls and allows building work to continue inside the home even in inclement weather.
- Wall wraps provide a barrier for wind and dust.
- Installation*: Wall wraps should be installed in accordance with AS/NZS 4200.2 'Installation requirements for pliable building membranes'. It should be installed with a 150mm overlap between runs. External cladding should be installed without delay.

*See product datasheet for more details.



Building quiet rooms

Why install acoustic insulation in walls between 'quiet' rooms, like living areas, and 'noisy' rooms, like bathrooms or kids rooms?

Because the difference it makes to your privacy and comfort can be dramatic.

The glasswool acoustic batts used in QuietZone® acoustic insulation systems (Pink® SonoBatts® and Pink® SonoBatts® Premium acoustic insulation) are part of the Pink® Insulation System, which also includes Pink® Batts® and Pink® Acousti-Therm® thermal insulation for energy savings and Sisalation® reflective foil laminate for weatherproofing.

These acoustic insulation batts will assist in separating noisy areas from rooms where you want peace and quiet. The diagrams on this page show you the effect QuietZone® acoustic insulation systems can have in reducing the amount of noise that gets through typical stud walls. So, how quiet do you like it?

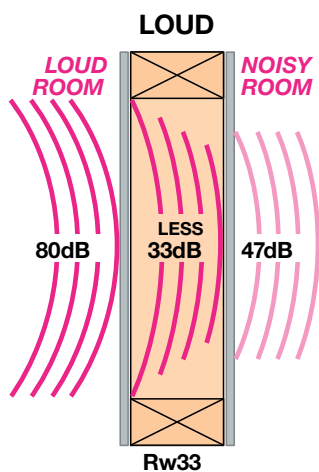


The building industry uses a 'Sound Reduction Index' or Rw, to measure the effectiveness of wall and floor acoustic insulation systems in reducing the transfer of noise. An Rw is the difference in the level of airborne sound measured in decibels (dB) from one side of a wall, floor or ceiling to the other. The higher the Rw, the less noise you'll hear from upstairs, downstairs or the next room.

Choose the QuietZone® acoustic insulation system that best suits your needs. The Rw ratings shown can be achieved using typical building materials, 70mm timber studs, plasterboard and acoustic insulation batts installed between the studs. The Ctr refers to the weighted normalised ceiling attenuation, the transfer of noise from one room to another.

The Rw + Ctr performance of a wall or floor/ceiling system has greater consideration for low frequency (base) type noise compared to the Rw performance. Therefore, with the increased popularity of sound systems and home cinemas, the Rw + Ctr performance is often used to compare the performance of wall and floor/ceiling systems in new homes. The higher the Rw rating, the less noise you'll hear from upstairs, downstairs or the next room.

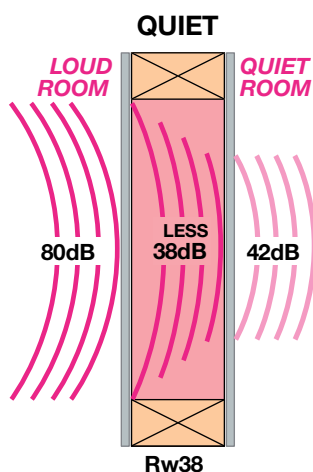
Using Insul Sound insulation prediction software, Fletcher Insulation is able to rapidly compare the noise transmission loss for different types of wall construction.



RW + CTR = 25

No Insulation

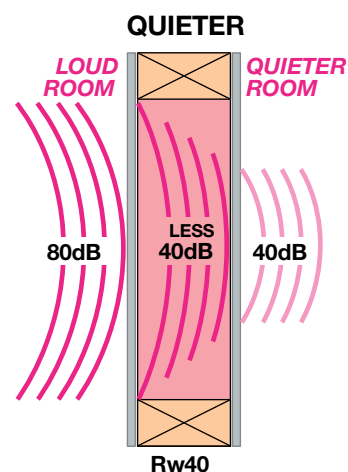
Typical studwall: 70mm timber studs, 10mm standard core plasterboard



RW + CTR = 28

QuietWall 38 System

70mm Pink® SonoBatts® insulation with 10mm standard plasterboard on both sides.



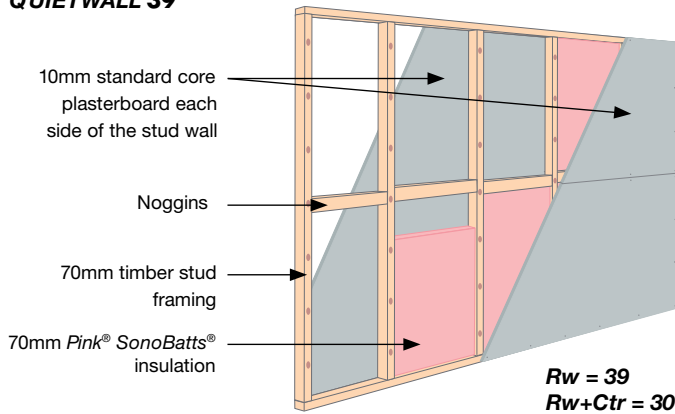
RW + CTR = 29

QuietWall 40 System

70mm Pink® SonoBatts® Premium insulation with 10mm standard plasterboard on both sides.

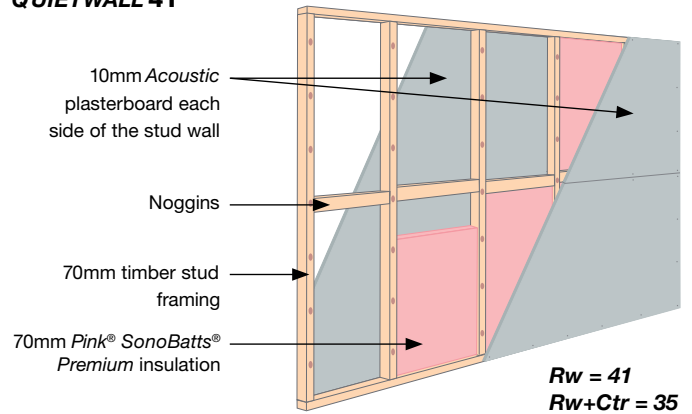
INTERNAL FRAMED WALLS

QUIETWALL 39



Note: 90mm studs will increase the acoustic performance of the wall system. Figures calculated using Insul insulation prediction software.

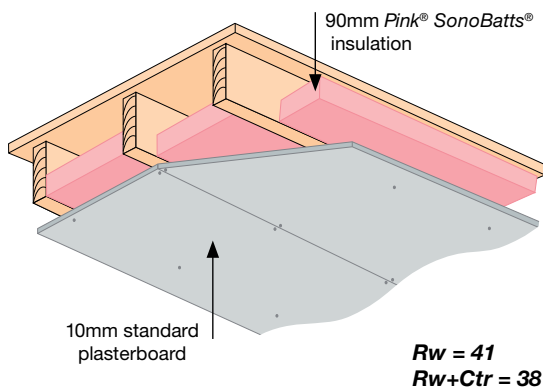
QUIETWALL 41



Note: 90mm studs will increase the acoustic performance of the wall system. Figures calculated using Insul insulation prediction software.

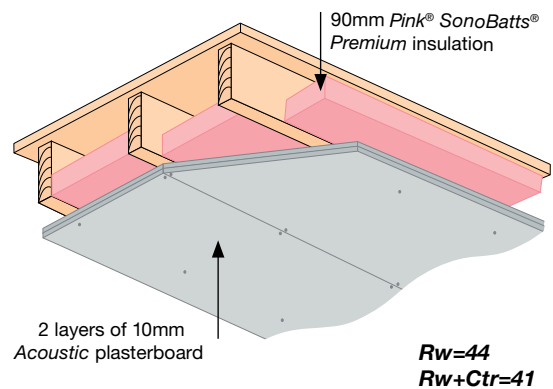
BETWEEN FLOORS

QUIETFLOOR 41



Note: System based on standard timber floor joists. Figures calculated using Insul insulation prediction software.

QUIETFLOOR 44



Note: System based on standard timber floor joists. Figures calculated using Insul insulation prediction software.

What else can I do to improve noise control?

No matter where you are, there is often nuisance noise. Even in the countryside, on a totally still night, the ambient sound level is around 26dB. Before you start building, it's worth considering the following so that you take control over nuisance noise and enjoy a more comfortable home:

- Plan your home so that quiet zones such as bedrooms are located away from potential noisy rooms such as entertaining areas, laundries etc...
- Use hallways and wardrobes as acoustic buffers
- Where possible, use carpet as a floor covering and where this is not practical, lay rugs over tiled or timber floors, especially upstairs
- Have solid core doors installed, particularly for bedrooms
- Entertainment areas with powerful sound equipment may need special attention (contact Fletcher Insulation for further information).



Pink® noise control insulation

Rating noise reduction between rooms

Sound levels are measured in decibels (dB). Pink® SonoBatts® and Pink® SonoBatts® Premium noise control insulation helps reduce noise to a background level of 35-45dB.

The Weighted Sound Reduction Index (Rw) is a number used to rate the effectiveness of a noise reduction system or material. Increasing the Rw rating by one equates to a reduction of around 1db in noise level. The higher the Rw number, the more effective the insulation. An internal wall with 10mm acoustic plasterboard and a 90mm timber stud frame at 600mm centres insulated with 70mm Pink® SonoBatts® Premium delivers an Rw of 41. A 230mm brick veneer external wall with standard 10mm plasterboard and a 90mm timber stud frame at 600mm centres insulated with 90mm Pink® SonoBatts® Premium insulation delivers an Rw of 66. Figures calculated using Insul insulation prediction software.

TYPICAL SOUND LEVEL	NUISANCE NOISES DECIBELS (dB)
Vacuum cleaner	84-89
Hair dryer	80-95
Small Radio/TV	75-85
Raised Voice	70-80
Computer Games	68-76

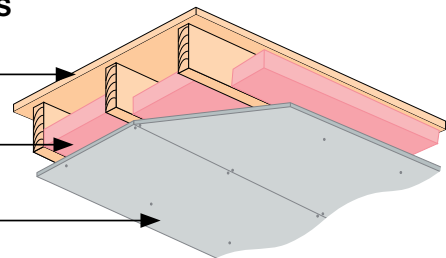
Normal conversation is 55-65dB



“Reduce outside noise from entering the home”

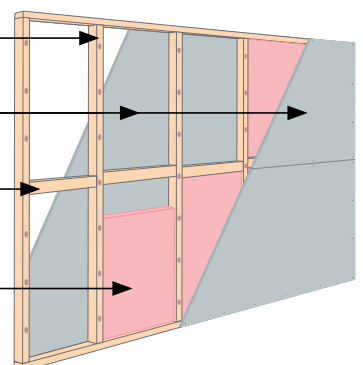
CEILING AND BETWEEN FLOORS

Upper storey flooring
 Pink® SonoBatts® or Pink® SonoBatts® Premium insulation
 Ceiling plasterboard



INTERNAL FRAMED WALLS

70mm timber stud framing
 10mm standard core plasterboard each side of stud wall
 Noggins
 Pink® SonoBatts® or Pink® SonoBatts® Premium insulation



When should I install Pink® acoustic insulation?

These products are usually installed behind wall lining, between floors and above ceiling linings. Whether you're building a new home or extension, the time to install Pink® acoustic insulation between floors or internal stud walls is during construction. Therefore, it's important that you make the decision to have noise control insulation installed well in advance of your builder starting work. (The only instance where Pink® acoustic insulation can be installed after construction is completed, is in homes that have access to the ceiling space).

Which Pink® acoustic insulation do I need?

The chart below shows which size product to use for the various applications in your new home or extension. The ceiling and upper floor joist or wall stud spacings in your new home or extension will determine which batt width you'll need. It's a simple matter of choosing the right batt width and knowing how many squares or square metres of ceiling, floor or internal walls you need to insulate.

PINK® SONOBATTS® INSULATION	Application	Stud Depth (mm)	Stud/Joist Spacing (mm)	R-value	Batt Size (mm) LxWxD (nom.)	Batts per pack	Coverage*
							per pack (m2)
Delivers excellent acoustic performance for domestic applications. They are ideal for insulation in metal and timber stud wall systems and as infill between floors and ceilings.	Internal walls	70	450	R1.3	1160 x 430 x 50	24	13.8
			600		1160 x 580 x 50		18.3
			600		1200 x 600 x 50		19.6
	Internal and external walls	90	450	R1.7	1160 x 430 x 70	16	9.2
			600		1160 x 580 x 70		12.2
			600		1200 x 600 x 70		13.0
	Upper floors and internal / external walls	Varies	450	R2.1	1160 x 430 x 90	12	6.9
			600		1160 x 580 x 90		9.2
			600		1200 x 600 x 90		9.8

*Coverage is an approximation allowing for framing materials.

PINK® SONOBATTS® PREMIUM INSULATION	Application	Stud Depth (mm)	Stud/Joist Spacing (mm)	R-value	Batt Size (mm) LxWxD (nom.)	Batts per pack	Coverage*
							per pack (m2)
The premium cavity infill batt for room-to-room noise control. Installed in ceilings, between floors and internal stud walls. Pink® SonoBatts® Premium minimise airborne sound transmission using standard construction methods and timber sizes.	Internal walls	70	450	R1.5	1160 x 430 x 50	12	6.9
			600		1160 x 580 x 50		9.2
			600		1200 x 600 x 50		9.8
	Internal and external walls	90	450	R2.1	1160 x 430 x 70	10	5.8
			600		1160 x 580 x 70		7.6
			600		1200 x 600 x 70		8.1
	Upper floors and internal / external walls	Varies	450	R2.7	1160 x 430 x 90	8	4.5
			600		1160 x 580 x 90		6.1
			600		1200 x 600 x 90		6.6
	Ceilings	Varies	450	R2.7	1160 x 430 x 90	8	4.5
			600	R2.7	1160 x 580 x 90	8	6.1
			600	R2.7	1200 x 600 x 90	8	6.6
450			R3.0	1160 x 430 x 100	6	3.4	
600			R3.0	1160 x 580 x 100	6	4.7	
600			R3.0	1200 x 600 x 100	6	4.9	

*Coverage is an approximation allowing for framing materials.

PINK® ACOUSTI-THERM® INSULATION	Application	Stud Depth (mm)	Stud/Joist Spacing (mm)	R-value	Batt Size (mm) LxWxD (nom.)	Batts per pack	Coverage*
							per pack (m2)
Providing excellent acoustic properties suited to residential wall applications. These batts can also be used to achieve a high R-value in a small wall cavity.	Internal walls	70	450	R1.5	1200 x 430 x 65	12	6.8
			600		1200 x 580 x 65	12	9.3
	Internal and external walls	70	450	R2.0	1200 x 430 x 75	12	6.8
			600		1200 x 580 x 75	12	9.3
	Internal and external walls	90	450	R2.5	1200 x 430 x 90	12	6.8
			600		1200 x 580 x 90	12	9.3

*Coverage is an approximation allowing for framing materials.

Using Insul Sound insulation prediction software, Fletcher Insulation is able to rapidly compare the noise transmission loss for different types of wall construction. Call us on 1300 65 44 44 for more information.

InsulBubble® and InsulMist® insulation for the home

InsulBubble® reflective foil insulation

Can be used in a variety of residential applications to increase the thermal performance of the building and to act as a vapour barrier. InsulBubble® reflective foil insulation is:

- Easy to install
- Complies with AS/NZS4859.1:2002/Amdt 1
- Meets flammability index ≤ 5 when tested to AS1530.2
- Australian Made
- Extra Heavy Duty Performance
- Can be used as wall wrap and roof sarking.

This product consists of a layer of polypropylene weave providing extra heavy duty performance laminated to a fire retardant cell structure. InsulBubble® 100 insulation is also coated with anti-glare ink for protection against sun glare.

Product	Nominal Thickness mm	Roll Size m x mm	m ² per roll	Product code
InsulBubble® 100 Reflective Insulation (Antiglare)	4.5	22.25 x 1350	30	395183
InsulBubble® 200 Reflective Insulation (Non-Antiglare)	4.5	22.25 x 1350	30	395184

InsulMist® thermal break insulation

InsulMist® thermal insulation incorporates an innovative and superior foam technology that achieves the thermal break requirement set by the Building Code of Australia, when used in buildings with steel framework.

Made using high quality materials, it incorporates a highly reflective aluminium foil that sandwiches a low conductive layer of low density cell polyethylene foam.

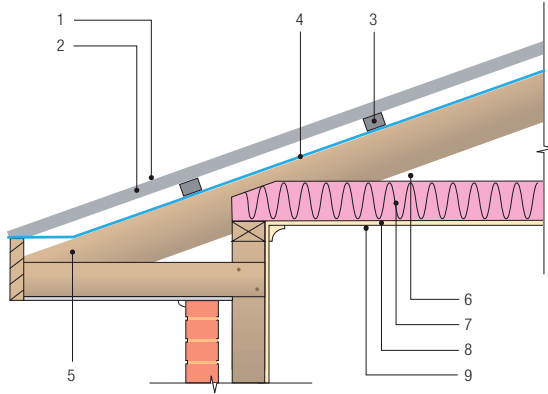
It also acts as a vapour barrier reducing the passage of moisture and dust particles into the roof and wall cavities.

- Complies with AS/NZS4859.1:2002 including Amendment 1
- Flammability Index ≤ 5 when tested in accordance with AS1530.2
- Extra Heavy Duty Performance
- Can be used as a wall wrap and roof sarking.

Product	Material R-value	Nominal thickness mm	Roll size m x mm	m ² Per Roll	Product Code
InsulMist® 650AG Reflective Insulation	R0.20	6.5	22.25 x 1350	30	395209
InsulMist® 650BR Breather AG Reflective Insulation	R0.20	6.5	22.25 x 1350	30	395208
InsulMist® 800AG Reflective Insulation	R0.25	8	22.25 x 1350	30	395194



Residential pitched metal roof with flat ceiling



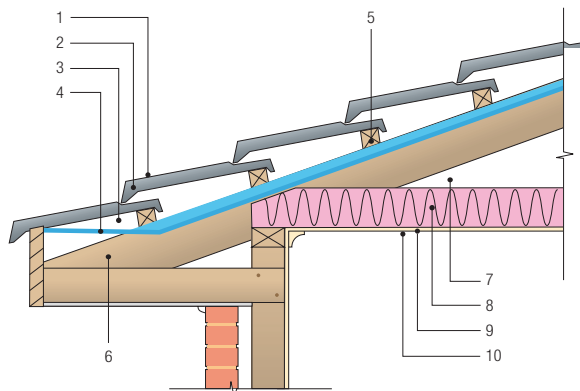
1. Outdoor air film
2. Metal roof*
3. 40mm battens
4. Reflective insulation material
5. 190mm rafter
6. Attic space
7. Pink Batts® ceiling insulation
8. 10mm standard plasterboard
9. Indoor air-film
(non-reflective surface)

PRODUCTS	TOTAL SYSTEM R-VALUE*	
	WINTER	SUMMER
VENTILATED		
InsulBubble® 100	R1.2	R2.6
InsulBubble® with R4.0 Pink® Ceiling Batts	R5.3	R6.1
InsulMist® 650	R1.3	R2.7
InsulMist® 800	R1.3	R2.7
InsulMist® 650 with R4.0 Pink® Ceiling Batts	R5.6	R5.9
InsulMist® 800 with R4.0 Pink® Ceiling Batts	R5.6	R6.3

PRODUCTS	TOTAL SYSTEM R-VALUE*	
	WINTER	SUMMER
NON VENTILATED		
InsulBubble® 100	R1.4	R2.3
InsulBubble® with R4.0 Pink® Ceiling Batts	R5.5	R5.9
InsulMist® 650	R1.5	R2.4
InsulMist® 800	R1.5	R2.4
InsulMist® 650 with R3.5 Pink® Ceiling Batts	R5.1	R5.5
InsulMist® 800 with R3.5 Pink® Ceiling Batts	R5.1	R5.5

* Refer to the Fletcher Insulation Green Book for specific climate zones.

Pitched tiled roof with flat ceiling



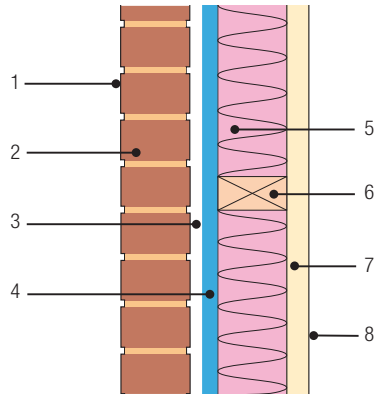
1. Outdoor air film
2. Tiled roof
3. Unventilated 40mm air space
4. Reflective insulation material
5. 40mm battens
6. 190mm rafter
7. Attic space
8. Pink Batts® ceiling insulation
9. 10mm standard plasterboard
10. Indoor air-film
(non-reflective surface)

PRODUCTS	TOTAL SYSTEM R-VALUE*	
	WINTER	SUMMER
VENTILATED		
InsulBubble® 100 (60mm air space)	R1.0	R2.1
InsulBubble® with R3.5 Pink® Ceiling Batts	R4.7	R5.5
InsulMist® 650 (60mm air space)	R1.1	R2.2
InsulMist® 800 (60mm air space)	R1.2	R2.3
InsulMist® 650 with R3.5 Pink® Ceiling Batts	R4.7	R5.6
InsulMist® 800 with R3.5 Pink® Ceiling Batts	R4.8	R5.6

PRODUCTS	TOTAL SYSTEM R-VALUE*	
	WINTER	SUMMER
NON VENTILATED		
InsulBubble® 100 (60mm air space)	R1.2	R1.9
InsulBubble® with R4.0 Pink® Ceiling Batts	R5.4	R5.7
InsulMist® 650 (60mm air space)	R1.3	R2.0
InsulMist® 800 (60mm air space)	R1.4	R2.0
InsulMist® 650 with R3.5 Pink® Ceiling Batts	R5.0	R5.3
InsulMist® 800 with R3.5 Pink® Ceiling Batts	R5.0	R5.3

* Refer to the Fletcher Insulation Green Book for specific climate zones.

Brick veneer wall

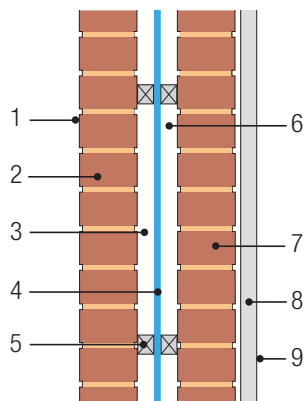


1. Outdoor air film
2. 110mm brickwork
3. Unventilated 40mm – 50mm airspace
4. Reflective insulation material
5. Pink® Wall Batts
6. 90mm studs
7. 10mm standard plasterboard
8. Indoor air-film (non-reflective surface)

PRODUCTS	TOTAL SYSTEM R-VALUE*	
	WINTER	SUMMER
InsulBubble® 100	R2.0	R1.8
InsulBubble® 100 with R2.5HD Pink® Wall Batts	R3.8	R3.5
InsulMist® 650	R2.1	R1.9
InsulMist® 800	R2.2	R1.9
InsulMist® 650 with R2.5HD Pink® Wall Batts	R3.9	R3.6
InsulMist® 800 with R2.0 Pink® Wall Batts	R3.9	R3.6

* Refer to the Fletcher Insulation Green Book for specific climate zones.

Pink Batts® noise control insulation



1. Outdoor air film
2. 110mm brickwork
3. Unventilated 20mm airspace
4. Reflective insulation material
5. 20mm spacer
6. Unventilated 20mm airspace
7. 110mm brickwork
8. 10mm standard plasterboard
9. Indoor air-film (non-reflective surface)

PRODUCTS	TOTAL SYSTEM R-VALUE*	
	WINTER	SUMMER
InsulBubble® 100	R2.2	R2.0
InsulMist® 650	R2.2	R2.0
InsulMist® 800	R2.2	R2.0

* Refer to the Fletcher Insulation Green Book for specific climate zones.

Poly Batts, Polycoustic and Cosyfloor® underfloor insulation for the home

Poly Batts insulation

Poly Batts are a premium polyester insulation product and can be used for thermal insulation in walls and ceilings. Polyester is made from fibre extruded from polyethylene terephthalate (PET) and does not contain nor produces any ozone depleting substances.

Poly Batts insulation is:

- Easy to handle
- Easy to install
- Non irritant
- Non toxic
- Non allergenic
- Firesafe, as tested in compliance with AS 1530.3
- Poly Batts has been assessed by Ecospecifier and Good Environmental Choice Australia.
- Poly Batts are manufactured in accordance with ISO 9001 Quality and ISO 140001 environmental management systems
- Australian Made.

Poly Batts insulation is available in a range of thermal performance levels to suit all standard domestic applications and is also available standard in either 430mm or 580mm wide batts to suit 450mm and 600mm framing.

POLY BATTS					
Nominal R-value	Nominal thickness (mm)	Batt Size (mm)	Batts per pack	Area per pack (m ²)	Approximate coverage per pack (m ²)
R1.5 Wall Batts	90	1160 x 430	16	8.0	9.2
		1160 x 580	16	10.8	12.4
R2.0 Wall Batts	90	1160 x 430	12	6.0	6.9
		1160 x 580	12	8.1	9.3
R2.5 Wall Batts	90	1160 x 430	6	3.0	3.5
		1160 x 580	6	4.0	4.6
R1.5 Ceiling Batts	90	1160 x 430	16	8.0	9.2
		1160 x 580	16	10.8	12.4
R2.0 Ceiling Batts	120	1160 x 430	12	6.0	6.9
		1160 x 580	12	8.1	9.3
R2.5 Ceiling Batts	165	1160 x 430	8	4.0	4.6
		1160 x 580	8	5.4	6.2
R3.0 Ceiling Batts	185	1160 x 430	8	4.0	4.6
		1160 x 580	8	5.4	6.2
R3.5 Ceiling Batts	200	1160 x 430	6	3.0	3.5
		1160 x 580	6	4.0	4.6
R4.0 Ceiling Batts	210	1160 x 430	4	2.0	2.3
		1160 x 580	4	2.7	3.1

Polycoustic batts

Polycoustic batts are ideally suited to increase the acoustic performance in walls and ceilings. Houses that are subjected to higher than normal environmental noise, such as those close to airports, major roads and railway lines, can have the internal noise levels significantly reduced by utilising Polycoustic acoustic/thermal polyester insulation.

Polycoustic batts should be used in any construction cavity where noise reduction is desired from one side to the other of the cavity.

Where to use:

- Internal walls between adjoining bedrooms
- External walls - laundry
- Ceilings - aircraft noise
- Between floors and external walls to reduce; road noise, mower noise etc...
- Home theatres.

POLYCOUSTIC					
Nominal R-value	Nominal thickness (mm)	Batt Size (mm)	Batts per pack	Area per pack (m ²)	Approximate coverage per pack (m ²)
R1.5	75	1160 x 430	8	3.99	4.6
		1160 x 580	8	5.38	6.2
R2.0	90	1160 x 430	8	3.99	4.6
		1160 x 580	8	5.38	6.2
R2.5	100	1160 x 430	8	3.99	4.6
		1160 x 580	8	5.38	6.2
R4.5	200	1160 x 430	4	2.00	2.3
		1160 x 580	4	2.69	3.1

Cosyfloor® underfloor insulation

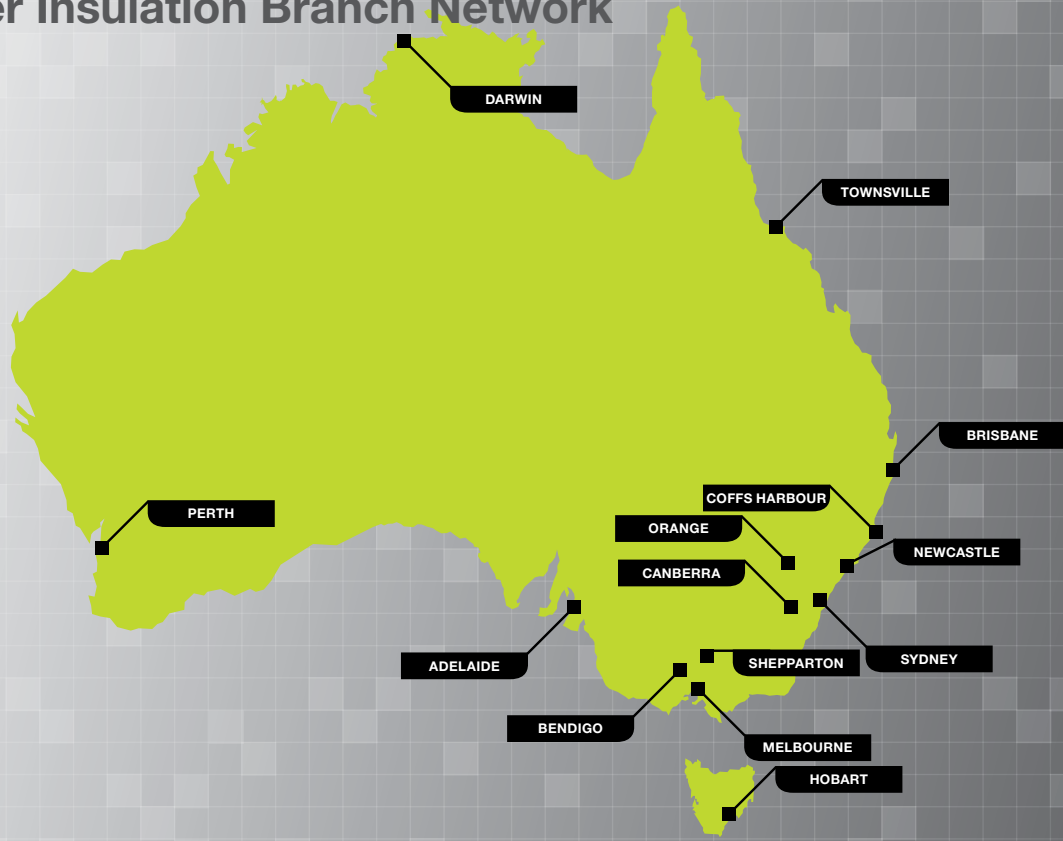
Cosyfloor® underfloor insulation is an innovative product made from polyester formed into an insulation blanket. Cosyfloor underfloor insulation is the ideal choice to meet the BCA energy efficiency requirements in suspended floors. Often overlooked, your floor can account for 15% of heat loss.

Cosyfloor® underfloor insulation is specifically designed for easy installation between floor joists. It is simply a matter of unrolling and stapling or securing in place with mesh. With user friendly polyester there is no itching or scratching during installation. Small gaps can be easily filled by tearing strips as you go. The resilient nature of Polyester combined with the thermal bonding of fibres allows Cosyfloor® underfloor insulation to be directly stapled under the floor.

Cosyfloor® underfloor insulation also helps to reduce drafts entering your home through suspended timber floors and reduces noise from underfloor plumbing.

COSYFLOOR® UNDERFLOOR INSULATION				
Nominal R-value	Roll size (m x mm)	Rolls per pack	Area per pack (m ²)	Approximate coverage per pack (m ²)
R1.5	11.6m x 430mm	3	15.0	17.3
R2.0	7m x 430mm	3	9.0	10.26
R2.5	7m x 430mm	3	9.0	10.26

Fletcher Insulation Branch Network



Branches

NEW SOUTH WALES

Sydney
(Sales Office and National Head Office)
600 Woodstock Ave
Rooty Hill NSW 2766
Phone 02 9677 4444
Fax 02 9832 3043

Coffs Harbour
36B High Tech Rd
Toorina NSW 2452
Phone 02 6658 9561
Fax 02 6658 9546

Newcastle
18 Arunga Drive
Beresfield NSW 2322
Phone 02 4944 6100
Fax 02 4966 8156

Orange
16 Edward St
Orange NSW 2800
Phone 02 6361 9789
Fax 02 6361 9707

ACT
Canberra
Unit 2, 28 Sheppard St
Hume ACT 2620
Phone 02 6260 2695
Fax 02 6260 2712

QUEENSLAND
Brisbane
91 Stradbroke St
Heathwood QLD 4110
Phone 07 3120 1100
Fax 07 3879 6076

Townsville
760-764 Ingham Rd
Bohle QLD 4818
Phone 07 4774 3579
Fax 07 4774 3582

TASMANIA
Hobart
95 Albert Rd
Moonah TAS 7009
Phone 03 6228 0944
Fax 03 6228 0961

SOUTH AUSTRALIA
Adelaide
519-523 Grand Junction Rd
Wingfield SA 5013
Phone 08 8340 6400
Fax 08 8243 0024

VICTORIA
Melbourne
127 Dandenong/Frankston Rd
Dandenong VIC 3175
Phone 03 9797 1234
Fax 03 9797 1279

Bendigo
41- 43 Howard St
Epsom VIC 3551
Phone 03 5444 5088
Fax 03 5444 4207

Shepparton
62 Florence St
Shepparton VIC 3630
Phone 03 5821 7097
Fax 03 5822 4752

NORTHERN TERRITORY
Darwin
Unit 1, 2 and 3/Lot 4920
College Road,
Berrimah NT 0828
Phone 08 8947 3662
Fax 08 8947 3665

WESTERN AUSTRALIA
Perth
13-17 Hurley St
Canning Vale WA 6155
Phone 08 9456 0199
Fax 08 9456 0109

NEED HELP?

For further information on Total R-value calculations for typical roof and wall systems performance please contact Fletcher Insulation's Technical Sales Team on:

TECHNICAL-1800 000 878 SALES-1300 654 444 e: info@insulation.com.au w: www.insulation.com.au

Additional assistance on Total R-values can also be found in the ICANZ Insulation Handbook at www.icanz.org.au

Fletcher[®]
Insulation

Fletcher Insulation
600 Woodstock Ave
Rooty Hill NSW 2766

P 02 9677 4444
F 02 9832 3043
E info@insulation.com.au



Nordland Papier, Germany
EMAS registration number D-162-00007

This material is printed on Novatech Satin from UPM Kymmene's EMAS accredited mills and is Carbon Neutral. The pulp for this paper is sourced from certified, well managed plantation forests. EMAS is the European Union's regulated environmental management scheme.

Novatech is an EMAS certified stock produced by UPM Kymmene, Nordland - Germany. Mill registration No.D - 162 - 00007 and ISO 14001.