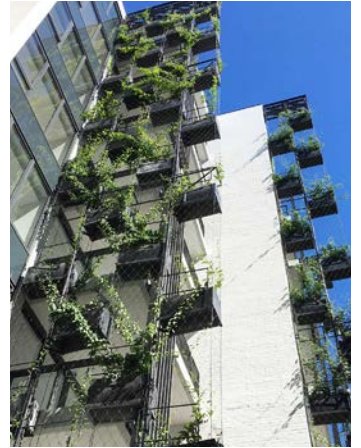
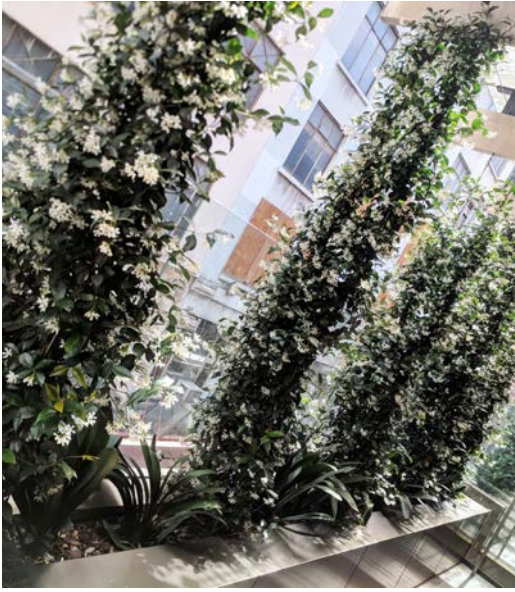




VERTICAL GARDENS . GREEN FACADES . ROOF GARDENS



## Planter Boxes

Fytogreen have combined their extensive experience with green roof media design with a range of their Linear Low Density Polyethylene planter boxes that provide a flexible container for both planter boxes and green facades.

This form of planter box, offers incredible flexibility in design and installation; It can act as a liner or an independent structural element where the drainage can be direct plumbed from outlets that can be where ever it is required and bypassing the requirement for a water proof membrane.

Flexibility is key with the ability to cut, adjust and re-weld the standard planter box sizes to fit bespoke requirements.

With many options available, Fytogreen guides the project through design development, project management, supply, planting, and on-going maintenance!

[CLICK HERE TO READ THE FYTOGREEN CAPABILITY BROCHURE](#)

Fytogreen Australia - providing sustainable greening solutions for the built environment



...find fytogreen australia on your favourite social media site

ph. 1300 182 341  
[www.fytogreen.com.au](http://www.fytogreen.com.au)

## STANDARD COLOURS

|  |                |
|--|----------------|
|  | Beige          |
|  | Birch Grey     |
|  | Black          |
|  | Earthtone      |
|  | Heritage Green |
|  | Heritage Red   |
|  | Jasper         |
|  | Merino         |
|  | Metal Grey     |
|  | Mist Green     |
|  | Monument       |
|  | Mountain Blue  |
|  | Rivergum       |
|  | Slate Grey     |
|  | Smooth Cream   |
|  | Wheat          |

## STONE-EFFECTS COLOURS

|  |               |
|--|---------------|
|  | Stone Black   |
|  | Stone Grey    |
|  | Stone Granite |
|  | Stone Light   |
|  | Stone White   |

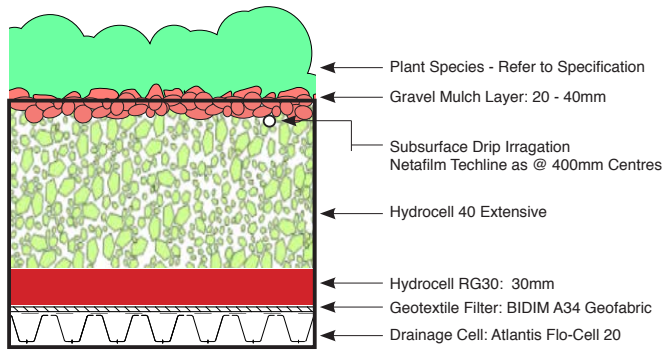
## CUSTOM COLOURS

|  |                 |
|--|-----------------|
|  | Armour Grey     |
|  | Aubergine       |
|  | Bronze Olive    |
|  | Desert Haze     |
|  | Dusk            |
|  | Gull Grey       |
|  | Pale Terracotta |
|  | Spinning Gum    |
|  | Stormedge Blue  |
|  | Tank White      |
|  | Torris Blue     |
|  | Tuscan Red      |

## CUSTOM MOULDING COLOURS

|  |             |
|--|-------------|
|  | Apple Green |
|  | Dark Blue   |
|  | Dark Green  |
|  | Dark Grey   |
|  | Deep Red    |
|  | Light Blue  |
|  | Light Green |
|  | Light Grey  |
|  | Lilac       |
|  | Lime Green  |
|  | Magenta     |
|  | Orange      |
|  | Purple      |
|  | Red         |
|  | Royal Blue  |
|  | Teal        |
|  | White       |
|  | Yellow      |

NB: Actual colours may vary slightly from those shown above.



| LENGTH | WIDTH     | HEIGHT | LITRES  | PLANTER #              |
|--------|-----------|--------|---------|------------------------|
|        | 400 ø     | 400 H  | 50 LT   | PLANTER N (ROUND)      |
| 400 L  | 400 W     | 400 H  | 64 LT   | PLANTER G              |
| 600 L  | 600 W     | 600 H  | 216 LT  | PLANTER A              |
| 600 L  | 600 W     | 1000 H | 360 LT  | PLANTER B              |
| 700 L  | 300 W     | 500 H  | 105 LT  | PLANTER T              |
| 700 L  | 500 W     | 300 H  | 105 LT  | PLANTER T2             |
| 730 L  | 730 W     | 730 H  | 389 LT  | PLANTER K              |
| 770 L  | 200 W     | 200 H  | 31 LT   | PLANTER D              |
| 800 L  | 280 W     | 280 H  | 54 LT   | PLANTER L              |
| 900 L  | 250 W     | 400 H  | 80 LT   | PLANTER M              |
| 900 L  | 400 W     | 250 H  | 80 LT   | PLANTER M2             |
| 900 L  | 400 W     | 500 H  | 180 LT  | PLANTER P              |
| 900 L  | 500 W     | 400 H  | 180 LT  | PLANTER P2             |
| 920 L  | 175 W     | 600 H  | 320 LT  | PLANTER V (DIAMOND)    |
| 960 L  | 400-746 W | 600 H  | 330 LT  | PLANTER C              |
| 1000 L | 600 W     | 600 H  | 360 LT  | PLANTER B2             |
| 1090 L | 380 W     | 400 H  | 165 LT  | PLANTER I              |
| 1090 L | 400 W     | 500 H  | 218 LT  | PLANTER U              |
| 1100 L | 1100 W    | 1050 H | 1210 LT | PLANTER S              |
| 1200 L | 280 W     | 375 H  | 110 LT  | PLANTER O              |
| 1200 L | 375 W     | 280 H  | 110 LT  | PLANTER O2             |
| 1200 L | 400 W     | 600 H  | 288 LT  | PLANTER J              |
| 1200 L | 600 W     | 400 H  | 288 LT  | PLANTER J2             |
| 1200 L | 1200 W    | 300 H  | 432 LT  | PLANTER E              |
| 1400 L | 250 W     | 500 H  | 160 LT  | PLANTER Q              |
| 1400 L | 500 W     | 250 H  | 160 LT  | PLANTER Q2             |
| 1500 L | 400 W     | 400 H  | 220 LT  | PLANTER R              |
| 1700 L | 380 W     | 400 H  | 258 LT  | PLANTER I (LONG)       |
| 2000 L | 650 W     | 800 H  | 1020 LT | PLANTER F              |
| 2475 L | 442 W     | 500 H  | 700 LT  | PLANTER H (HALF ROUND) |

Fytogreens planter units can be welded together offsite, to make longer single units if required. They can also be shortened.



...find fytogreen australia on your favourite social media site

ph. 1300 182 341  
[www.fytogreen.com.au](http://www.fytogreen.com.au)

# LLDPE ROTATIONAL MOULDING RESIN



Fytogreen's range of Linear Low Density Polyethylene planter boxes provide a UV stable, flexible container for both planter boxes and green facades.

Manufactured locally by Melbourne Rotomould, this form of planter box meets industry best practices and offers incredible flexibility in design and installation; It can act as a liner or an independent structural element where the drainage can be direct plumbed from outlets that can be where ever it is required and bypassing the requirements for a water proof membrane.

The colour range is vast and the ability to cut, adjust and re-weld the standard planter box sizes to fit, is straight forward. They can be shortened, lengthened or combined to match bespoke requirements.



## LLDPE Planters Fire Ratings



Fytogreen and Melbourne Rotomould have investigated the possible solutions to the polyethylene component risk. ie. facade fires.

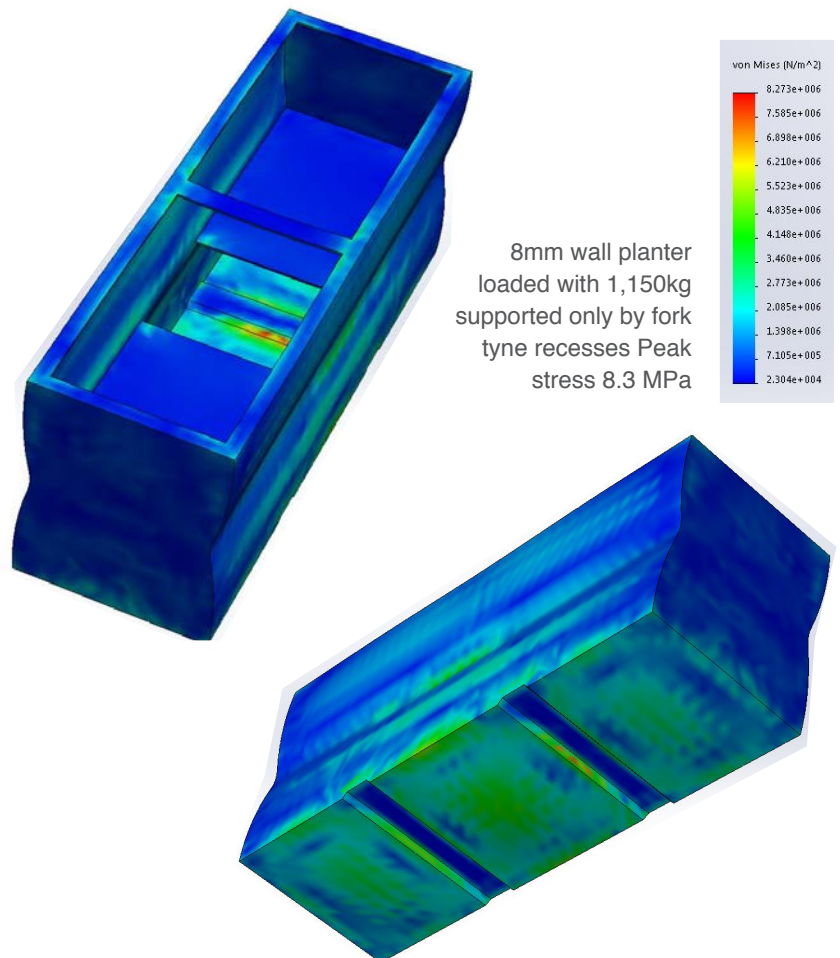
**If required** Fytogreen can provide pages outlining detailed flammability tests that were conducted by Underwriters Laboratories Inc called UL94.

The current plastic material used in the planter range is rated at 94HB. It is possible to produce a flame retardant (FR) range where required that achieves the V-1 rating.

In situ risk reduction considerations would be:

1. Self extinguishing nature of mineral based growing media that in the event of a fire on an LLDPE planter, the media would collapse outwards onto the flame if the LLDPE planter was to burn.
2. In most cases LLDPE planters are used as liners located either inside a block wall or a steel framed fascia.

## TYPICAL STRESS TEST



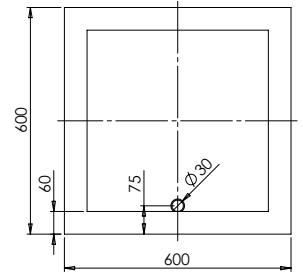
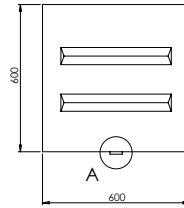
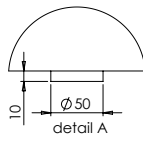
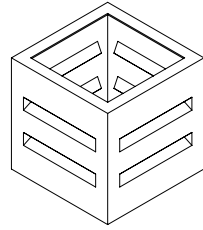
Fytogreen Australia - providing sustainable greening solutions for the built environment



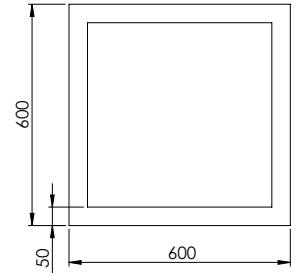
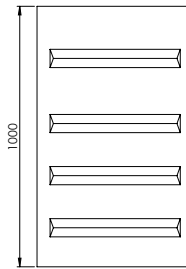
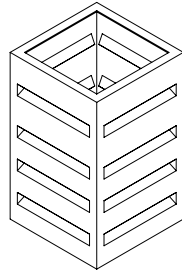
...find fytogreen australia on your favourite social media site

ph. 1300 182 341  
[www.fytogreen.com.au](http://www.fytogreen.com.au)

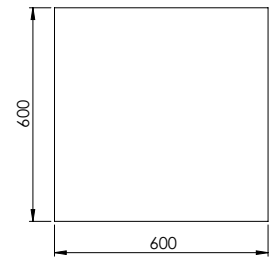
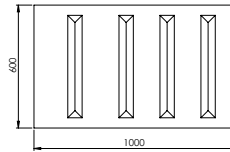
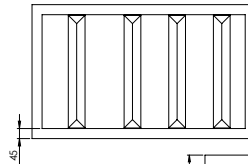
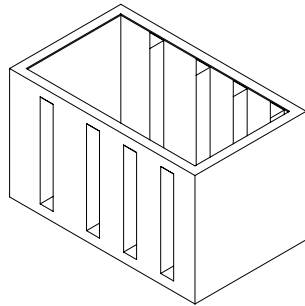
**PLANTER A**  
 216 LITRE  
 600L x 600W x 600H



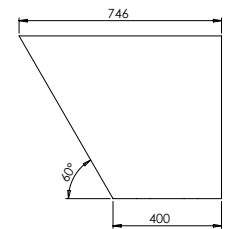
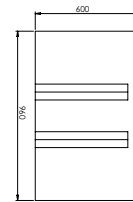
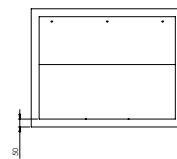
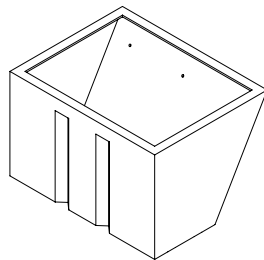
**PLANTER B**  
 360 LITRE  
 600L x 600W x 1000H



**PLANTER B2**  
 360 LITRE  
 1,000L x 600W x 600H

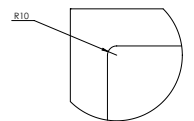
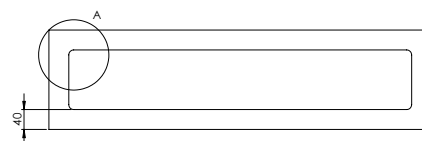
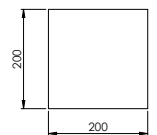
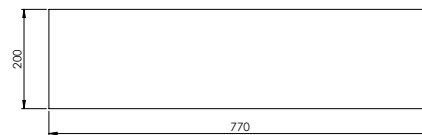
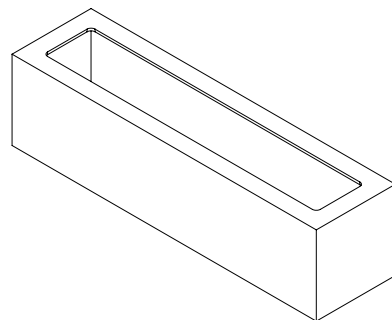


**PLANTER C**  
 330 LITRE  
 960 L x 746 W x 400 H



20kg

**PLANTER D**  
 31 LITRE  
 770L x 200W x 200H

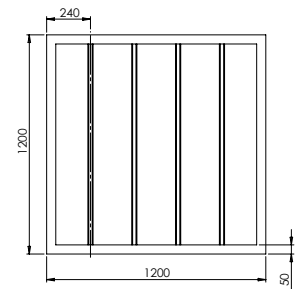
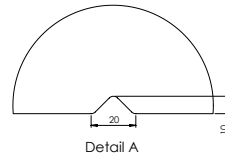
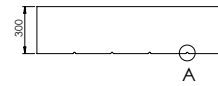
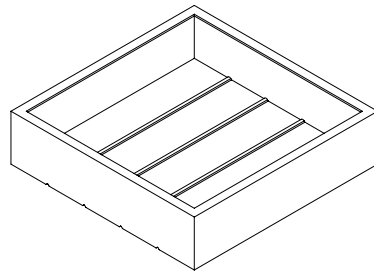


### PLANTER E

(TRAY)

432 LITRE

1200L x 1200W x 300H

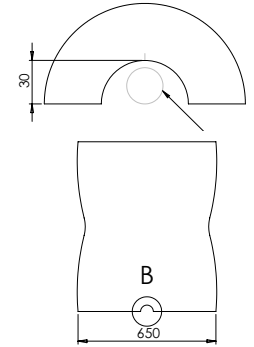
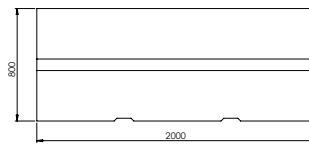
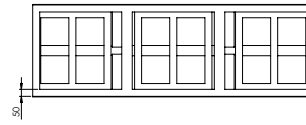
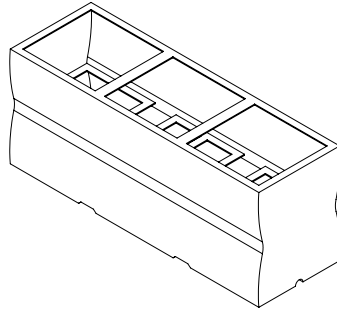


### PLANTER F

(PLATINUM)

1,020 LITRE

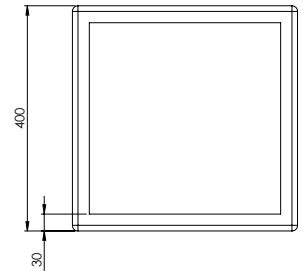
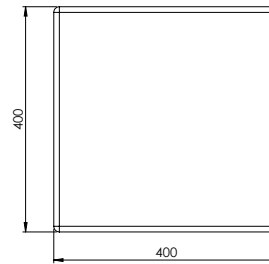
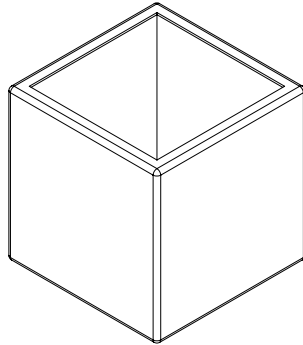
2000L x 650W x 800H



### PLANTER G

64 LITRE

400L x 400W x 400H

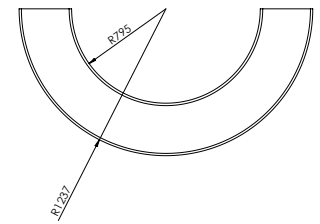
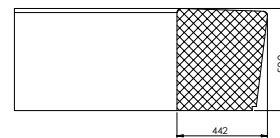
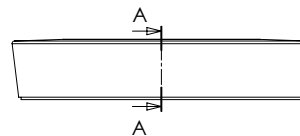
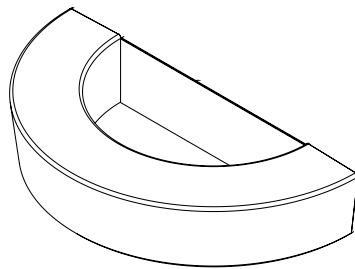


### PLANTER H

(HALF ROUND /  
HALF BENCH BASIC)

700 LITRE

2,475L 442W x 500H

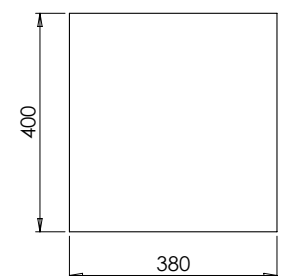
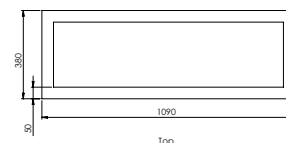
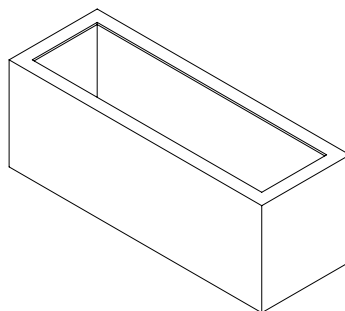


### PLANTER I

(HOARDING)

165 LITRE

1,090L x 380W x 400H

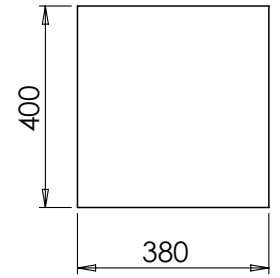
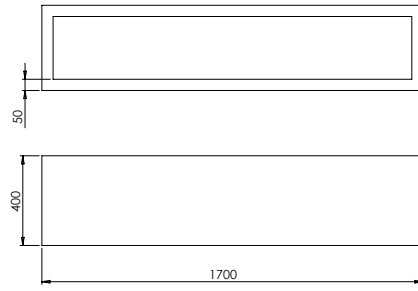
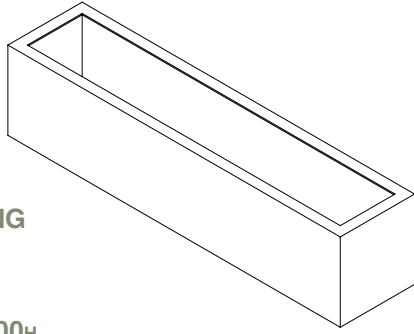


**PLANTER I - LONG**

(HOARDING)

258 LITRE

1,700L x 380W x 400H

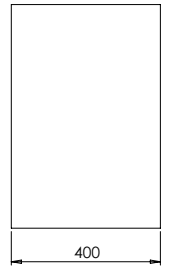
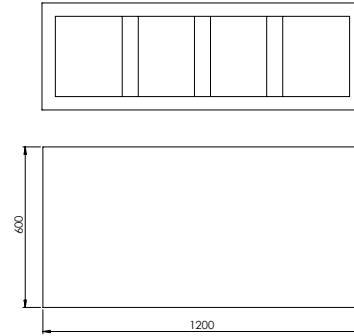
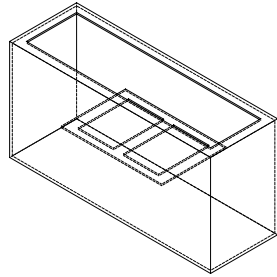


**PLANTER J**

(TYPE 2 PLANTER - SINGLE)

288 LITRE

1,200L x 400W x 600H

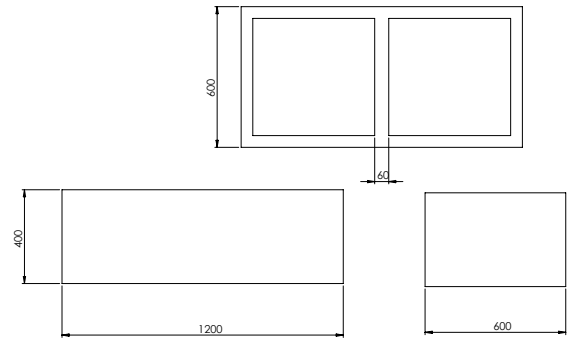
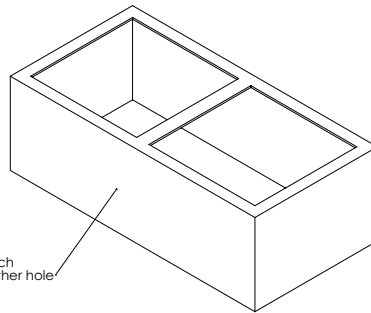


**PLANTER J2**

288 LITRE

1200L x 600W x 400H

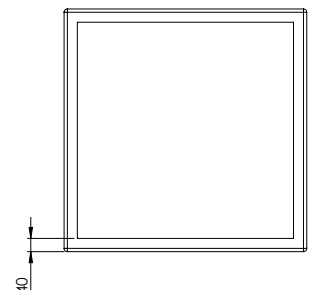
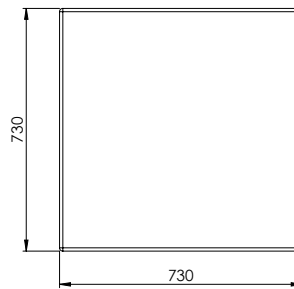
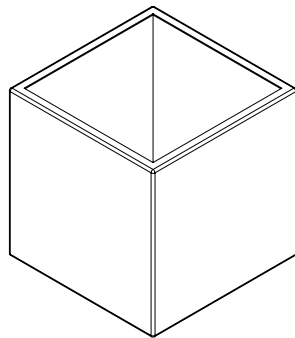
there will be a patch covering the breather hole



**PLANTER K**

389 LITRE

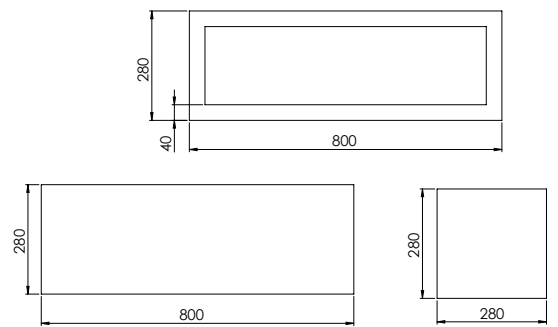
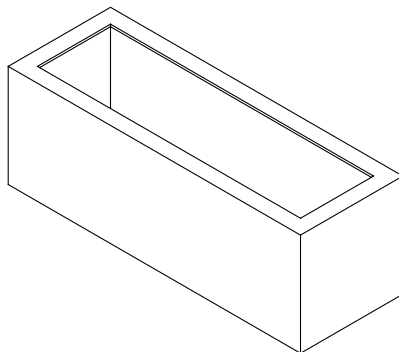
730L x 730W x 730H



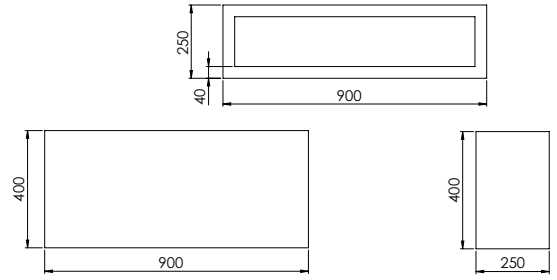
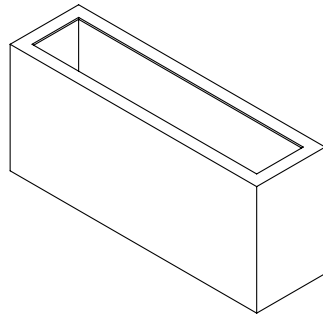
**PLANTER L**

54 LITRE

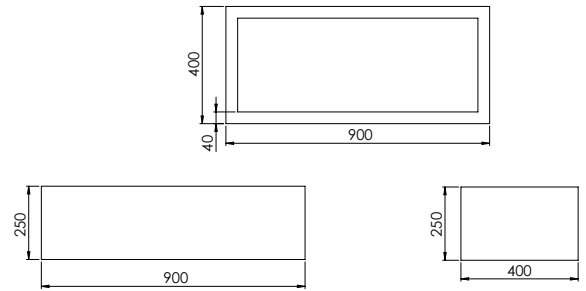
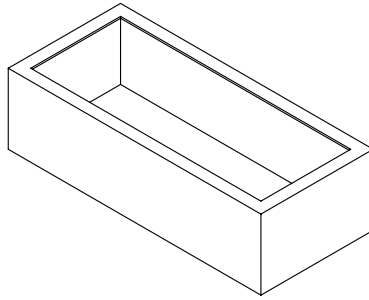
800L x 280W x 280H



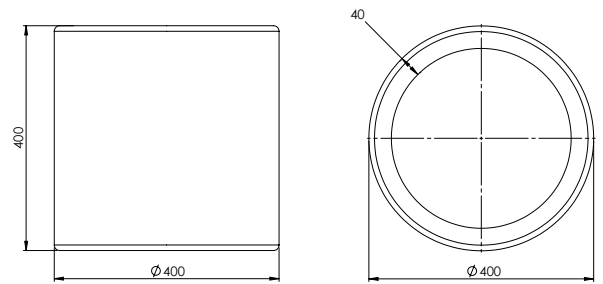
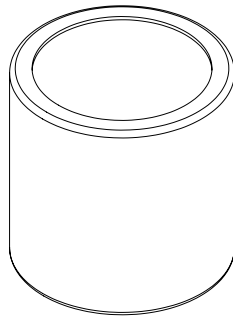
**PLANTER M**  
80 LITRE  
900L x 250W x 400H



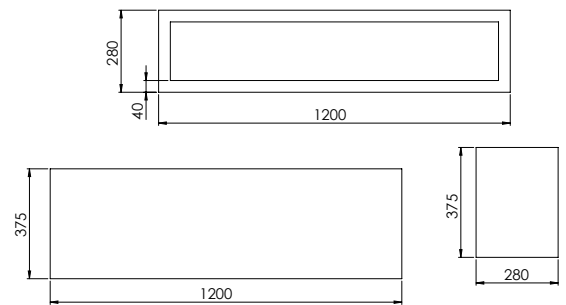
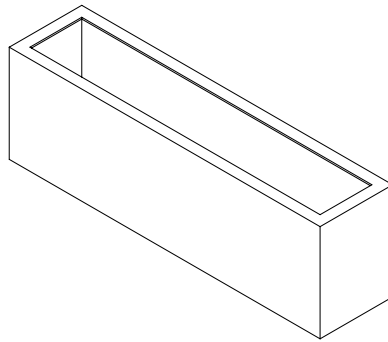
**PLANTER M2**  
80 LITRE  
900L x 400W x 250H



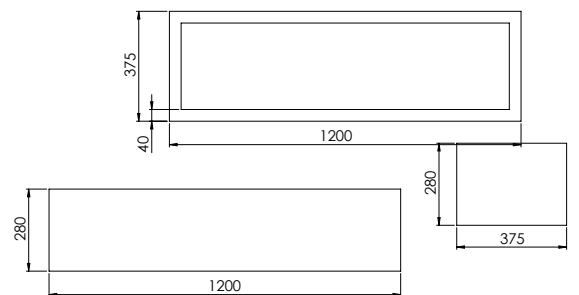
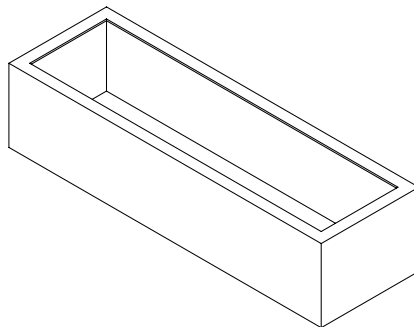
**PLANTER N**  
50 LITRE  
400Ø x 400H



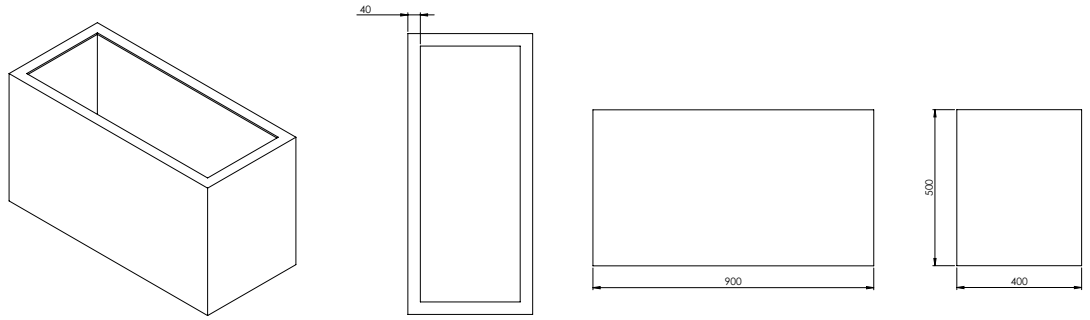
**PLANTER O**  
110 LITRE  
1,200L x 280W x 375H



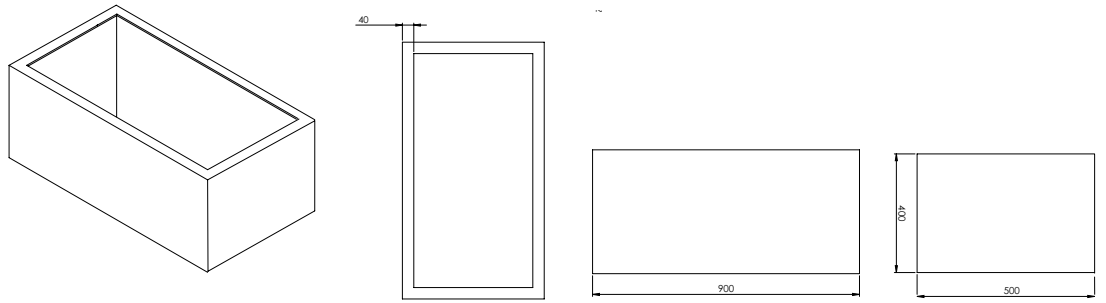
**PLANTER O2**  
110 LITRE  
1,200L x 375W x 280H



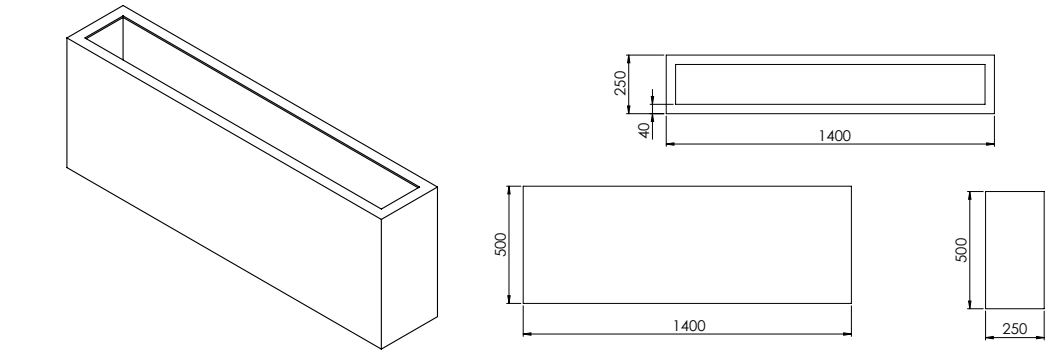
**PLANTER P**  
180 LITRE  
900L x 400w x 500H



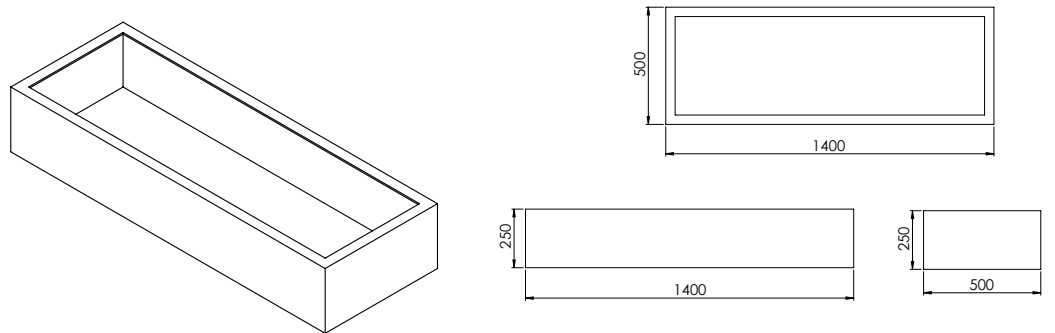
**PLANTER P2**  
180 LITRE  
900L x 500w x 400H



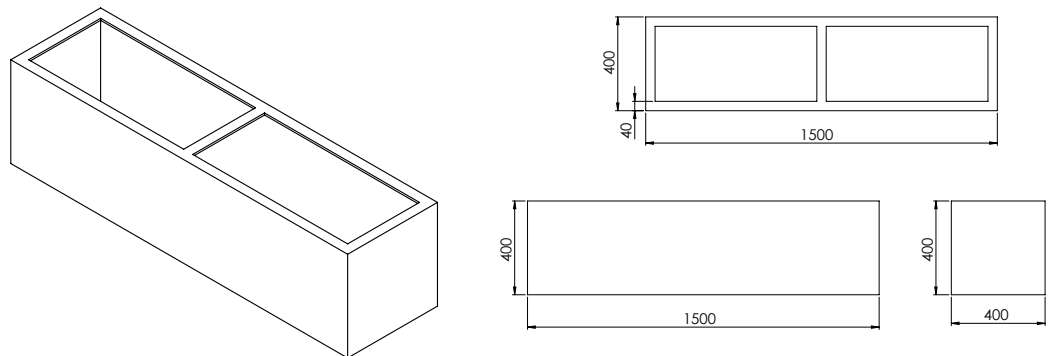
**PLANTER Q**  
160 LITRE  
1400L x 250w x 500H



**PLANTER Q2**  
160 LITRE  
1400L x 500w x 250H

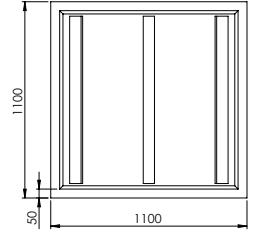
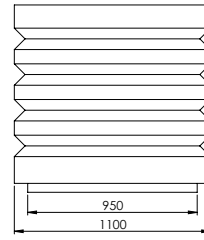
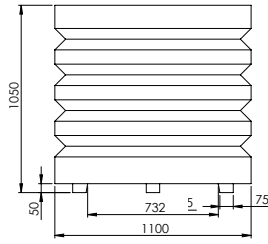
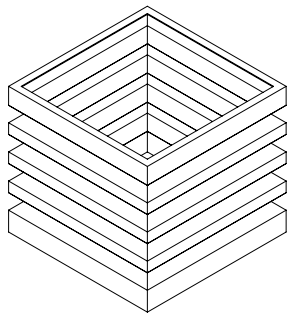


**PLANTER R**  
220 LITRE  
1500L x 400w x 400H

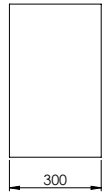
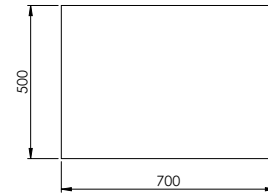
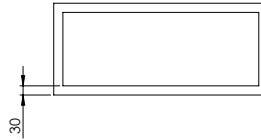
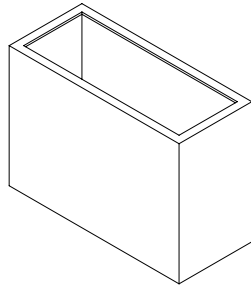




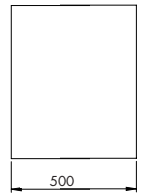
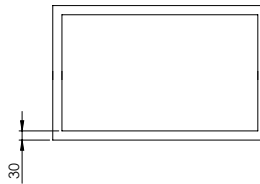
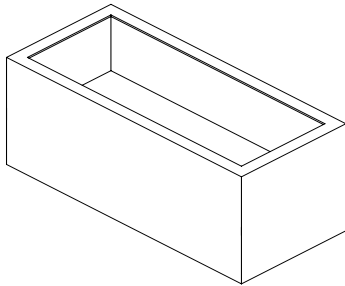
**PLANTER S**  
**1210 LITRE**  
**1100L x 1100W x 1050H**



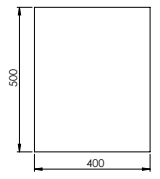
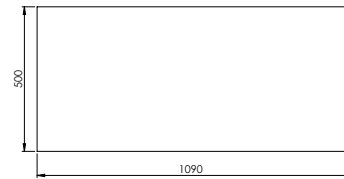
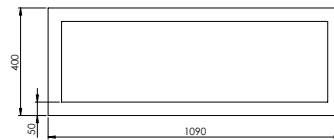
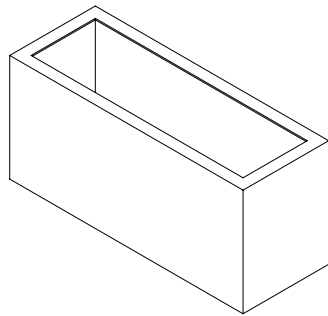
**PLANTER T**  
**105 LITRE**  
**700L x 300W x 500H**



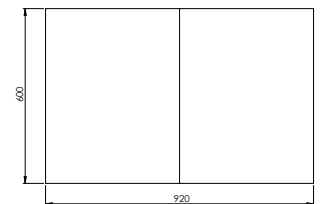
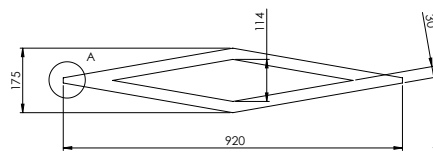
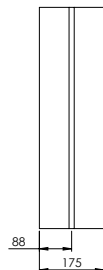
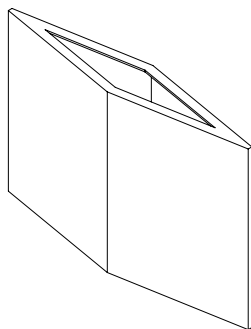
**PLANTER T2**  
**105 LITRE**  
**700L x 500W x 300H**



**PLANTER U**  
**218 LITRE**  
**1090L x 400W x 500H**



**PLANTER V (DIAMOND)**  
**320 LITRE**  
**920L x 175W x 600H**



FOR MORE INFORMATION CONTACT:



Fytogreen Australia Pty Ltd  
3 Webbs Lane, Somerville, Victoria, 3912

Ph: 1300 182 341

Email: [info@fytogreen.com.au](mailto:info@fytogreen.com.au)

[www.fytogreen.com.au](http://www.fytogreen.com.au)