

Ocean Series[®]



Louvreclad's Ocean Series[®] has excellent spanning and sun-shading characteristics that ensure an outstanding ellipsoid architectural sunscreen.

Distinctive Features + Diverse Applications + Multitude of Benefits:

- Excellent cantilever, spanning and sun-shading characteristics
- Ideal for mitred corners

Attention to Detail:

- Maximum blade span: 3600mm
- 300mm ellipsoid
- 50mm depth



**EXCELLENT SPANNING
CAPABILITIES**



Thinking outside for inside performance

DRAFT SPECIFICATION

Screens will be Louvreclad Ocean Series®. Blades will be _____
 [Operable/Fixed] if fixed [state pitch] mm pitch at [state angle]° angle.

Base Material & Finish

Screens will be manufactured in [powder coated/anodised] aluminium finish in [state colour]

Operation Method (if applicable)

The operation method will be [Electric Motor/Manual winder/other - choose method]

Control System (if applicable)

Automated Control will be by [specify sensors and control system]

Accessories (if applicable)

Screens will be fitted with [nominate options/accessories from the selection].

Installation and Mounting

Installation and mounting details will be designed in accordance with proprietary systems and recommendations as designed and manufactured by Louvreclad Pty. Ltd. Phone: 1300 165 678 Email: sales@louvreclad.com

Base Material Options

- Extruded Aluminium

Finishes Available

Choose from the following range of finishes:

- complete powder coated range
- complete anodised range

Specialised coatings are also available on request.

Operating Options

If specifying operable screens please nominate the operating system from the following:

- remote winder control
- electric actuator

Accessories

Rain sensors: Screens can automatically close against rain.

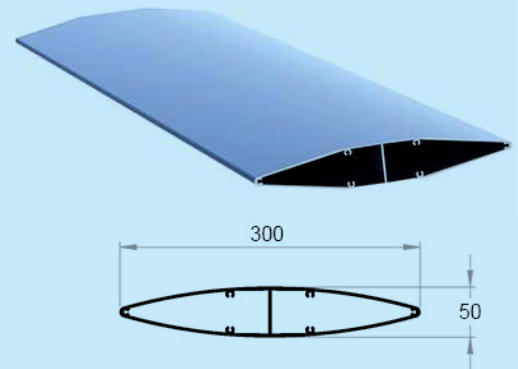
Light sensors: Optional sensor controls can be set to automatically tilt the Louvreclad screen blades to shield the building's interior from glare or direct sunlight.

Wind sensors: Wind sensors will provide additional flexibility in response to shifting weather patterns and wind gusts.

Temperature sensors: Screen controls can be set to respond to ambient interior temperatures and adjust angle and tilt to shade the interior or admit more warming sunlight.

Timers: Pre-set opening, closing and tilting configurations.

PROFILES





WOULD YOU LIKE TO KNOW MORE?

If you have any questions about this product, or if you would like to speak to a member of our expert team about how we can tailor a solution for you, call: **1300 165 678** or visit: louvreclad.com