

**VANDAL RESISTANT SHOWER SET**



**Description**

The shower components consist of a conical shaped shower rose along with conical shaped handles in a high polished chrome finish. They are extremely heavy duty, for use in vandal prone locations. Additionally, the conical design provides suicide resistance when wall mounted. The conical handles incorporate ceramic disc SBA's for ease of operation. The shower rose flow rate is 7 Litres per minute.

**Construction**

The fittings are manufactured from solid brass with heavy polished chrome plating. SBAs include ceramic discs and the handles have hot, warm & cold identification.

**Options**

Components can be specified as a shower set (dual temperature), or alternatively they can be specified separately:

- RBA8519-100 Shower set (Hot & Cold Handles, SBAs and Rose)
- RBA8519-102 Conical Rose only
- RBA8519-103 Conical Handle with SBA, Cold only (Blue)
- RBA8519-104 Conical Handle with SBA, Hot only (Red)
- RBA8519-105 Conical Handle with SBA, Warm only (Yellow)

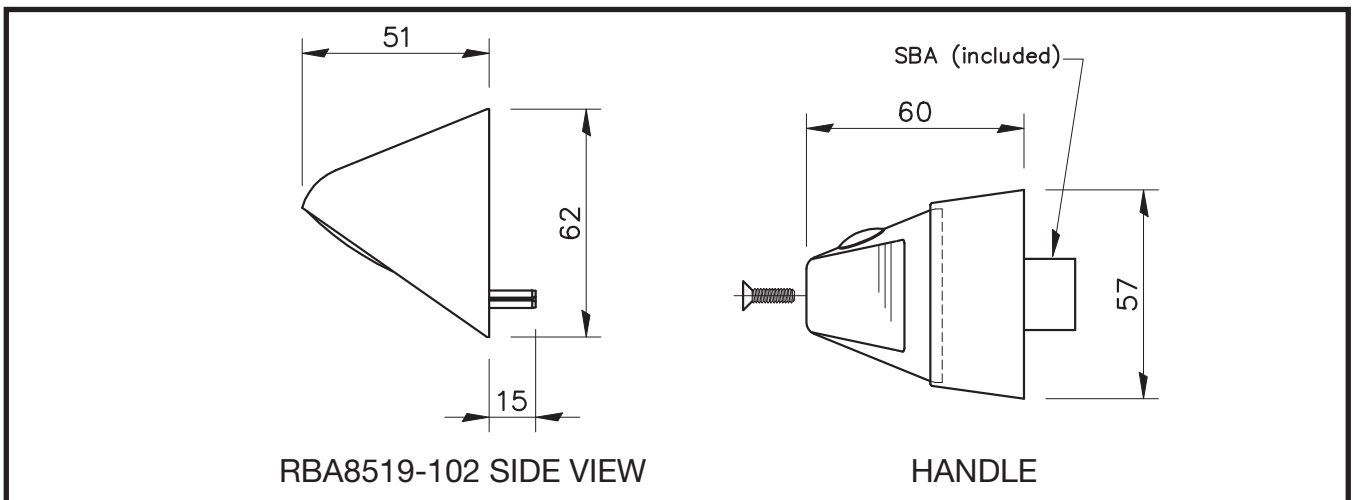
**Performance Standards**

The SBAs carry "WATERMARK" certification from Standards Australia.

**Installation**

RBA conical handles can be fitted to any conventional recess cock body, and be installed in either masonry, timber framed walls or metal panels. Shower rose is fitted to 15mm BSP thread.

**Important:** Installation instructions and current rough-in details should be furnished with each fixture. Do not rough in without certified dimensions. Dimensions are subject to manufacturer's tolerance of +/-10mm.



As improvements in the design and performance of RBA products are continuous, specifications may be subject to change without notice. The illustrations and descriptions herein are applicable to production as of the date of this Technical Data Sheet. Revised 08/11 Printed in Australia © 2011 by RBA Group TD/Model RBA8519 Series/0811