



# Opal

Collection



At Caroma, we believe bathrooms are more than just functional spaces - they're integral parts of our daily lives. For over 80 years, we have dedicated ourselves to creating purpose-built products and solutions that are designed for living and built for life.

As leaders in the industry, we put people at the heart of everything we do. The Caroma team is committed to developing inspiring and innovating products for all needs, using our knowledge and expertise to ensure every detail enhances the way we all live.



Our products have been designed and stringently tested at our dedicated Design & Innovation Centre in Sydney.



Enjoy peace of mind with extensive warranties across Caroma Collections, with up to 20 years warranty.



CAROMA  
**CLEANFLUSH®**

Our patented rimless toilet technology delivers a whole bowl clean with no splashback.



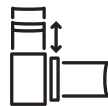
CAROMA  
**GERMGARD®**

A unique antimicrobial formula that kills harmful bacteria, preventing the spread of nasty germs.



CAROMA  
**UNI-ORBITAL®  
CONNECTOR**

Our patented connectors overcome installation issues by allowing for a flexible 50mm radius for connection.



CAROMA  
**ADJUSTABLE  
FLUSHPIPE**

Quickly realign the water inlet of your Invisi Series II® in-wall cistern without damaging your wall.

\*See [www.caroma.com.au](http://www.caroma.com.au) for full warranty details

**CAROMA**  
Made For Life



Our stunning Opal independent living collection is specially designed with practicality in mind to enhance your wellbeing. The fusion of contemporary styles with discreet modifications blends seamlessly into the bathroom to promote comfort and independence. It's the trusted Collection for all bathrooms designed with wellbeing in mind.



**INDEPENDENT  
LIVING**

All products have been specifically designed to enhance your independence in the bathroom without having to compromise on style.



Our in-house industrial designers have worked closely with health and aged care experts to craft a comprehensive range of products that promotes comfortable living at any stage of life.



CHROME



MATTE  
BLACK



BRUSHED  
NICKEL

**COLOUR**

Find the perfect colour match for your bathroom, with colour finishes including brushed nickel, matte black and chrome.



**VJET® - VARIABLE  
CONTROL SPRAY**

A luxury shower experience that puts you in control. Use the slider to seamlessly transition from an invigorating shower spray through to a gentle mist, and everything in between.

**Opal**  
Collection

**CAROMA**  
Made For Life

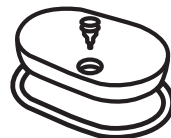


# Basins

Our Opal basins combine modern style design to meet your space and storage requirements. Each basin maximises space and can also be installed to comply with AS1428.1-2021 design for access and mobility. All Opal basins feature white plug and chrome waste to match style.



**ACCESSIBLE**



**INTEGRATED  
DESIGN**



**AS1428.1  
COMPLIANT**



**HIGH QUALITY  
CERAMIC**



**SHALLOW  
DESIGN**



**OPAL 510 WALL BASIN**

No taphole  
632600W  
1 taphole  
632610W  
3 tapholes  
632630W



**OPAL SOLE 550 WALL BASIN**

1 taphole  
631710W



**OPAL 720 RHS WALL BASIN**

1 taphole  
632110W  
3 tapholes  
632130W



**OPAL 720 LHS WALL BASIN**

1 taphole  
632210W  
3 tapholes  
632230W





**OPAL 920 RHS WALL BASIN**

1 taphole  
632310W



**OPAL 920 LHS WALL BASIN**

1 taphole  
632410W



**OPAL 900 TWIN WALL BASIN**

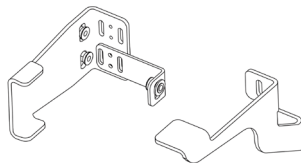
No taphole  
632500W  
1 taphole  
632510W  
3 tapholes  
632530W



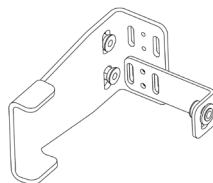
**OPAL SHROUD**  
632601W



**OPAL SOLE SHROUD**  
631701W



**OPAL BARIATRIC SHELF WB BRACKET**  
687095



**OPAL BARIATRIC WB BRACKET**  
687094



caroma



# Bathroom & Kitchen Mixers

The Opal mixer range allows you to customise your independent living bathroom. Available in a beautiful and highly durable palette of 3 colour finishes, including chrome, brushed nickel (PVD) and matte black (Electroplated), the collection complements the Opal support colour rails range.

Enjoy a range of carefully designed features including antibacterial aerator with Laminar flow, large colour indicators with warm/cold options available and interchangeable extended care handle which can be installed to meet AS1428.1-2021 requirements.



**LARGE TEMPERATURE  
INDICATORS**

\* Warm and Cold Temperature  
Indicators Available





**OPAL BASIN MIXER H/C**

Chrome (Lead Free)  
99700C65AF

Matte Black (Lead Free)  
99700B65AF

Brushed Nickel (Lead Free)  
99700BN65AF



**OPAL SINK MIXER H/C**

Chrome (Lead Free)  
99702C46AF

Matte Black (Lead Free)  
99702B46AF

Brushed Nickel (Lead Free)  
99702BN46AF



**OPAL BATH/SHOWER MIXER H/C**

Chrome  
99707C

Matte Black  
99707B

Brushed Nickel  
99707BN



**OPAL BATH/SHOWER MIXER TRIM KIT**

Chrome  
99701C

Matte Black  
99701B

Brushed Nickel  
99701BN



**OPAL BASIN MIXER WITH CARE HANDLE**

Chrome (Lead Free)  
99708B65AF

Matte Black (Lead Free)  
99708B65AF

Brushed Nickel (Lead Free)  
99708BN65AF



**OPAL SINK MIXER WITH CARE HANDLE**

Chrome (Lead Free)  
99709C46AF

Matte Black (Lead Free)  
99709B46AF

Brushed Nickel (Lead Free)  
99709BN46AF



**OPAL OPTIONAL STANDARD HANDLE H/C**

Chrome  
99705C

Matte Black  
99705B

Brushed Nickel  
99705BN



**OPAL OPTIONAL STANDARD HANDLE W/C**

Chrome  
99703C

Matte Black  
99703B

Brushed Nickel  
99703BN



**OPAL OPTIONAL CARE HANDLE H/C**

Chrome  
99706C

Matte Black  
99706B

Brushed Nickel  
99706BN



**OPAL OPTIONAL CARE HANDLE W/C**

Chrome  
99704C

Matte Black  
99704B

Brushed Nickel  
99704BN



**CAROMA EASYSWITCH  
UNIVERSAL BATH / SHOWER MIXER INWALL BODY**

99651F  
(Lead Free)







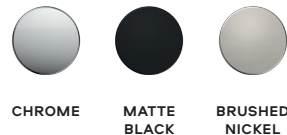
# Support Rails

Our Opal support rails are designed to enhance independence by providing additional support and balance assistance inside the home. The discreet, modern design, means they help prevent slips and falls, without compromising on style.

Key features including durable brass construction are available in a variety of lengths and angles to suit a range of locations. All Opal support rails are designed for load bearing up to 1100N (approx. 110kg) and are deemed to comply with AS1428.1-2021 requirements.



**LOAD TESTED**





**OPAL SUPPORT RAIL 300MM STRAIGHT**

Chrome  
687375C

Matte Black  
687375B

Brushed Nickel  
687375BN

---



**OPAL SUPPORT RAIL 450MM STRAIGHT**

Chrome  
687376C

Matte Black  
687376B

Brushed Nickel  
687376BN

---



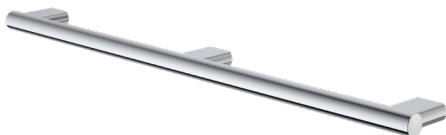
**OPAL SUPPORT RAIL 600MM STRAIGHT**

Chrome  
687377C

Matte Black  
687377B

Brushed Nickel  
687377BN

---



**OPAL SUPPORT RAIL 800MM STRAIGHT**

Chrome  
6873771C

Matte Black  
6873771B

Brushed Nickel  
6873771BN



**OPAL SUPPORT RAIL 135 DEGREE LEFT HAND ANGLED**

Chrome  
687378C

Matte Black  
687378B

Brushed Nickel  
687378BN



**OPAL SUPPORT RAIL 135 DEGREE RIGHT HAND ANGLED**

Chrome  
687379C

Matte Black  
687379B

Brushed Nickel  
687379BN

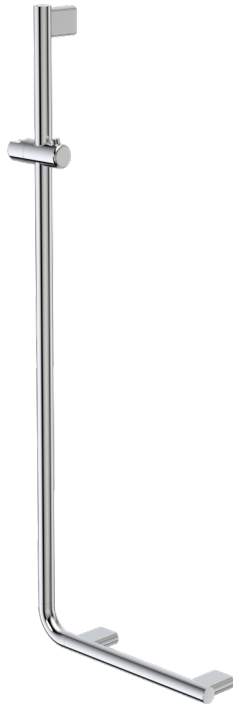


**OPAL SUPPORT RAIL 90 DEGREE ANGLED**

Chrome  
687380C

Matte Black  
687380B

Brushed Nickel  
687380BN



**OPAL SUPPORT SHOWER RAIL 90 DEGREE**

Chrome  
687381C

Matte Black  
687381B

Brushed Nickel  
687381BN



**OPAL SUPPORT SHOWER RAIL STRAIGHT 900MM**

Chrome  
687382C

Matte Black  
687382B

Brushed Nickel  
687382BN





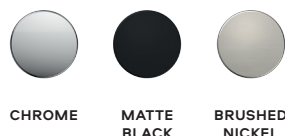


# Support Showers

Enhance your showering experience with VJet® technology, available across all Opal Support showers. Use the slide controller to seamlessly transition from an invigorating shower spray through to a gentle mist and find your perfect setting with VJet®. Available with straight or angled rail options for additional shower support.



**LOAD TESTED**



CHROME

MATTE  
BLACK

BRUSHED  
NICKEL



**MULTIPLE  
CONFIGURATIONS**



**VJET® - VARIABLE  
CONTROL SPRAY**



**PVD FINISH  
WARRANTY**



**ELECTROPLATED  
FINISH WARRANTY**



**OPAL SUPPORT VJET® HAND SHOWER**

Chrome  
687365C4E

Matte Black  
687365B4E

Brushed Nickel  
687365BN4E



**OPAL SUPPORT VJET® SHOWER WITH  
90 DEGREE RAIL - LEFT AND RIGHT**

Chrome  
687368C4E

Matte Black  
687368B4E

Brushed Nickel  
687368BN4E



**OPAL SUPPORT VJET® SHOWER WITH 900MM RAIL**

Chrome  
687367C4E

Matte Black  
687367B4E

Brushed Nickel  
687367BN4E





# Shower Accessories

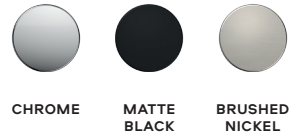
Enhance your showering experience with the added confidence of our Opal Collection's shower support products. The corner support rails and shower seats provide added safety in a wet area, to help prevent slips and falls.

## CORNER SUPPORT RAILS

Our corner shower support rails provide a comfortable and stable hand rail or foothold, to reduce the need for bending. Features include durable metal construction with textured grip area, storage basket option and load bearing up to 1100N (approx. 110kg).

## SHOWER SEAT

Our shower seat provides support and stability for those with limited mobility, giving the user more independence and comfort. The sleek, slimline design folds up out of the way when not in use. The seat features a non-slip surface and has a maximum load rating of 150kg.





**OPAL SUPPORT CORNER SHOWER RAIL**

Chrome

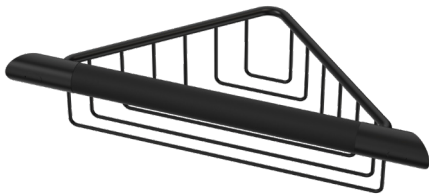
687383W

Matte Black

687383B

Brushed Nickel

687383BN



**OPAL SUPPORT CORNER SHOWER RAIL WITH BASKET**

Chrome/White

687384W

Matte Black

687384B

Brushed Nickel/White

687384BN



**OPAL SUPPORT SHOWER SEAT FOLDING**

Chrome/White

687385W

Matte Black

687385B

Brushed Nickel/White

687385BN







# Toilet Suites

The patented and streamlined rimless design of the modern Opal toilet collection brings style and functionality to the bathroom. Added benefits such as Caroma Cleanflush® for maximum hygiene and optional nurse call armrests are designed to improve independence and wellbeing for users and carers. The Opal toilet suite is an ideal option for your home, retirement living and residential aged care facilities.

Clever design features for the collection include Easy Height Pan that makes it easier on the knees, a longer pan project for commode chair use and carer access and Caroma Uni-Orbital® Connector for flexible trap connections.







# Our most effective and hygienic toilet technology.

By removing the rim of the bowl, there is now nowhere for germs to hide. And by adding Caroma's flush and flow features we've created a superior flushing performance that delivers a cleaner clean.



Innovative Flow Splitter for extra coverage



Sculpted Flow Contours for superior washdown



Flow Balancer that controls and directs the flush



Flush flow matched in performance to our optimum sump design

Available across select toilets in the following collections

Luna  
Collection

Urbane  
Collection

Opal  
Collection

Care  
Collection



**OPAL CLEANFLUSH® EASY HEIGHT WALL  
FACED CLOSE COUPLED SUITE WITH  
DOUBLE FLAP SEAT AND NURSE CALL ARMREST**

White (Left)  
985300ARWNCL

White (Right)  
985300ARWNCR

Anthracite Grey (Left)  
985700ARAGNCL

Anthracite Grey (Right)  
985700ARAGNCR

Satin Black (Left)  
985600ARBLNCL

Satin Black (Right)  
985600ARBLNCR



**OPAL CLEANFLUSH® EASY HEIGHT WALL  
FACED CLOSE COUPLED SUITE WITH  
DOUBLE FLAP SEAT AND ARMREST**

White  
985300ARW

Anthracite Grey  
985700ARAG

Satin Black  
985600ARBL



**OPAL CLEANFLUSH® EASY HEIGHT WALL  
FACED CLOSE COUPLED SUITE WITH  
DOUBLE FLAP SEAT**

White  
985300W

Anthracite Grey  
985700AG

Satin Black  
985600BL



**OPAL CLEANFLUSH® EASY HEIGHT WALL  
FACED CLOSE COUPLED SUITE WITH SINGLE  
FLAP SEAT AND NURSE CALL ARMREST**

Right  
985400ARWNCR

Left  
985400ARWNCL



**OPAL CLEANFLUSH® EASY HEIGHT WALL  
FACED CLOSE COUPLED SUITE WITH  
SINGLE FLAP SEAT AND ARMREST**

985400ARW



**OPAL CLEANFLUSH® EASY HEIGHT WALL  
FACED CLOSE COUPLED SUITE WITH  
SINGLE FLAP SEAT**

985400W



**OPAL CLEANFLUSH® EASY HEIGHT WALL  
FACED CLOSE COUPLED SUITE WITH  
ARMREST MOUNTING KIT**

985300ARWNO



**OPAL ARMREST 660 NCL + TOILET ROLL**

687436SSNCL



**OPAL ARMREST 660 NCR + TOILET ROLL**

687436SSNCR



**OPAL ARMREST 660 + TOILET ROLL**

687436SS



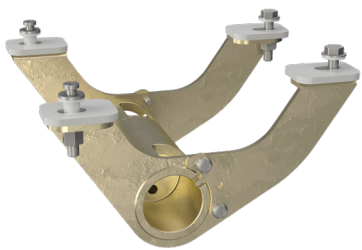
**OPAL ARMREST 660 NCL + TOILET ROLL**  
687434SSNCL



**OPAL ARMREST 660 NCR + TOILET ROLL**  
687434SSNCR



**OPAL ARMREST 660 + TOILET ROLL**  
687434SS



**OPAL ARMREST MOUNTING KIT**  
687452



**OPAL CLEANFLUSH® EASY HEIGHT WALL  
FACED CLOSE COUPLE PAN**

847205W



**OPAL CLEANFLUSH® EASY HEIGHT WALL  
FACED COUPLE PAN WITH ARMREST HOLES**

847206W



**OPAL CLEANFLUSH® CLOSE COUPLED CISTERN**

622306W





**OPAL II NORMAL CLOSE TOILET SEAT -  
BLACK**  
300031B



**OPAL II SINGLE FLAP SEAT WHITE**  
300038W

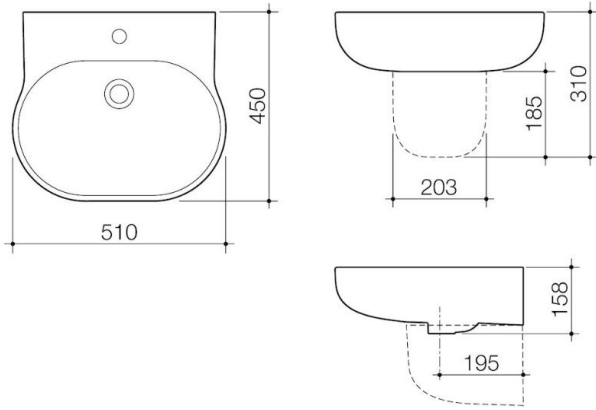


**OPAL II SOFT CLOSE TOILET SEAT WITH  
GERMGARD® - WHITE**  
300030W

**OPAL II SOFT CLOSE TOILET SEAT -  
ANTHRACITE GREY**  
300030AG

# Product Specifications

## BASINS

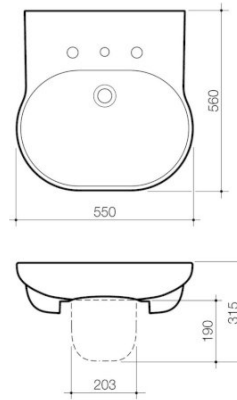


### OPAL 510 WALL BASIN

No taphole  
632600W

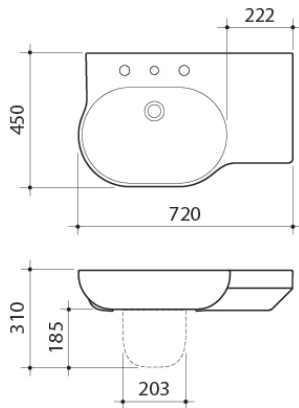
3 tapholes  
632630W

1 taphole  
632610W



### OPAL SOLE 550 WALL BASIN

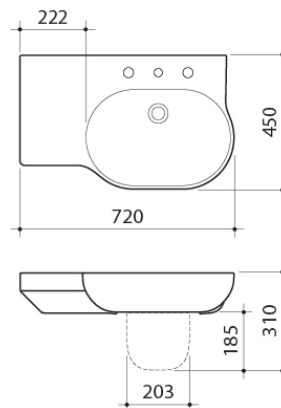
1 taphole  
631710W



### OPAL 720 RHS WALL BASIN

1 taphole  
632110W

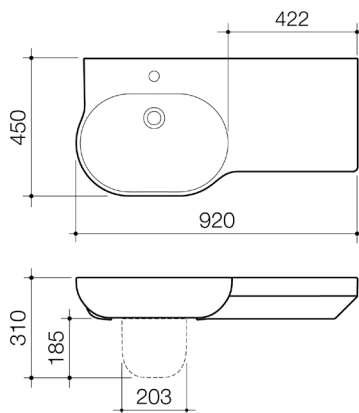
3 tapholes  
632130W



### OPAL 720 LHS WALL BASIN

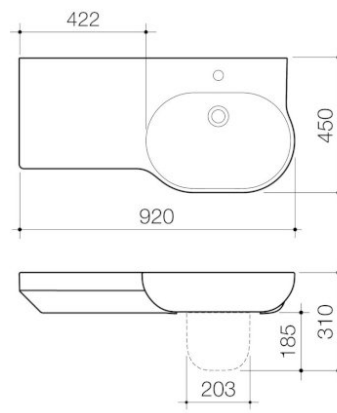
1 taphole  
632210W

3 tapholes  
632230W



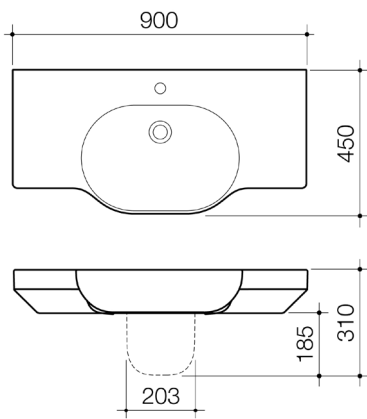
### OPAL 920 RHS WALL BASIN

1 taphole  
632310W



### OPAL 920 LHS WALL BASIN

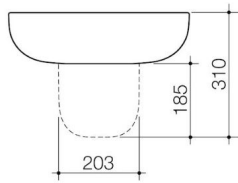
1 taphole  
632410W



**OPAL 900 TWIN WALL BASIN**

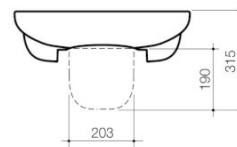
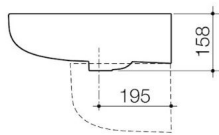
No taphole            3 tapholes  
 632500W            632530W

1 taphole  
 632510W



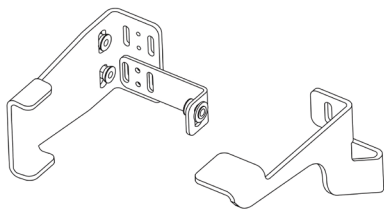
**OPAL SHROUD**

632601W



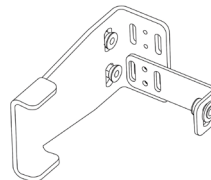
**OPAL SOLE SHROUD**

631701W



**OPAL BARIATRIC SHELF WB BRACKET**

687095

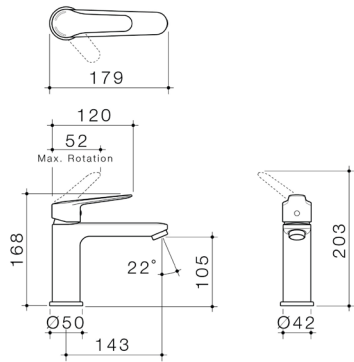


**OPAL BARIATRIC WB BRACKET**

687094

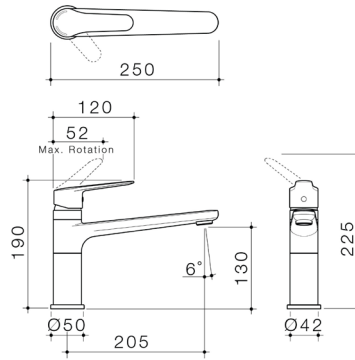
# Product Specifications

## BATHROOM MIXERS



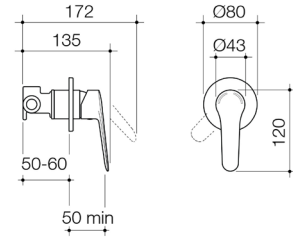
### OPAL BASIN MIXER H/C

Matte Black 99700B6A	Matte Black (Lead Free) 99700B65AF
Brushed Nickel 99700BN6A	Brushed Nickel (Lead Free) 99700BN65AF
Chrome (Lead Free) 99700C65AF	



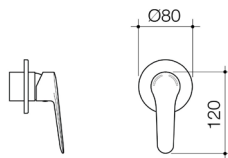
### OPAL SINK MIXER H/C

Matte Black 99702B4A	Matte Black (Lead Free) 99702B46AF
Brushed Nickel 99702BN4A	Brushed Nickel (Lead Free) 99702BN46AF
Chrome (Lead Free) 99702C46AF	



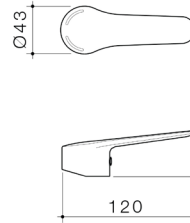
### OPAL BATH/SHOWER MIXER H/C

Chrome 99707C
Matte Black 99707B
Brushed Nickel 99707BN



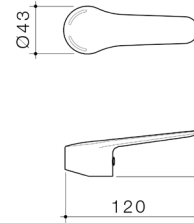
### OPAL BATH/SHOWER MIXER TRIM KIT

Chrome 99701C	Brushed Nickel 99701BN
Matte Black 99701B	



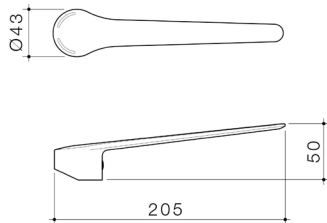
### OPAL OPTIONAL STANDARD HANDLE H/C

Chrome 99705C	Brushed Nickel 99705BN
Matte Black 99705B	



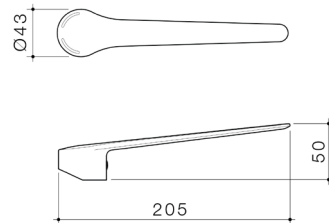
### OPAL OPTIONAL STANDARD HANDLE W/C

Chrome 99703C	Brushed Nickel 99703BN
Matte Black 99703B	



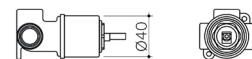
### OPAL OPTIONAL CARE HANDLE H/C

Chrome 99706C	Brushed Nickel 99706BN
Matte Black 99706B	



### OPAL OPTIONAL CARE HANDLE W/C

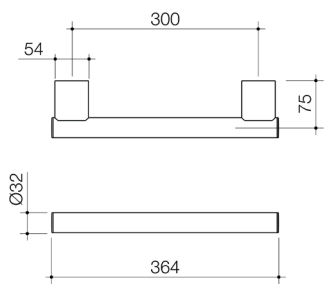
Chrome 99704C	Brushed Nickel 99704BN
Matte Black 99704B	



### CAROMA EASYSWITCH UNIVERSAL BATH / SHOWER MIXER INWALL BODY

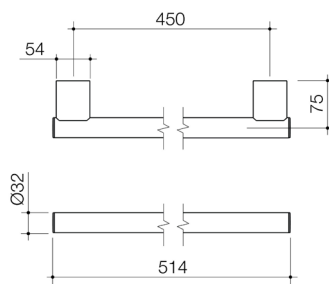
99651F  
(Lead Free)

**SUPPORT RAILS**



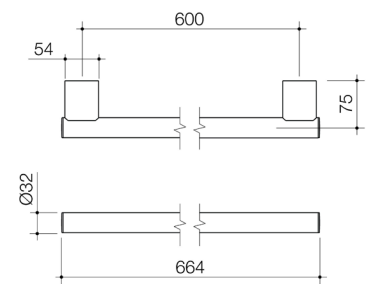
**OPAL SUPPORT RAIL 300MM STRAIGHT**

Chrome 687375C      Brushed Nickel 687375BN  
 Matte Black 687375B



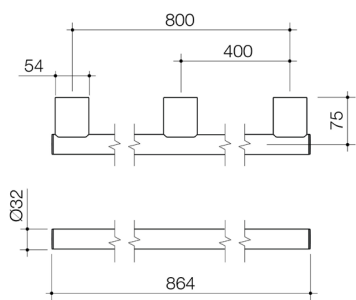
**OPAL SUPPORT RAIL 450MM STRAIGHT**

Chrome 687376C      Brushed Nickel 687376BN  
 Matte Black 687376B



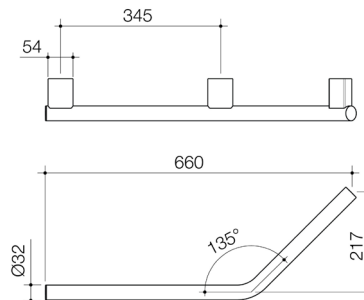
**OPAL SUPPORT RAIL 600MM STRAIGHT**

Chrome 687377C      Brushed Nickel 687377BN  
 Matte Black 687377B



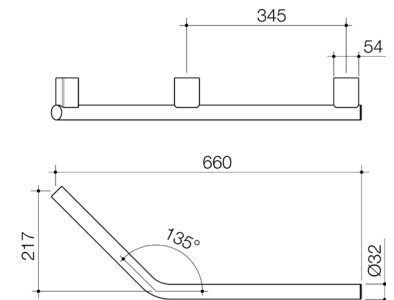
**OPAL SUPPORT RAIL 800MM STRAIGHT**

Chrome 6873771C      Brushed Nickel 6873771BN  
 Matte Black 6873771B



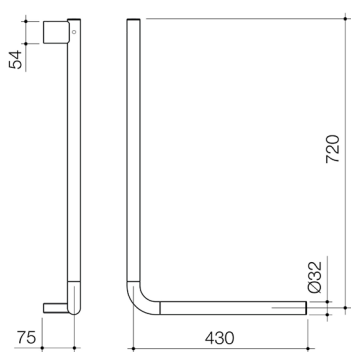
**OPAL SUPPORT RAIL 135 DEGREE LEFT HAND ANGLED**

Chrome 687378C      Brushed Nickel 687378BN  
 Matte Black 687378B



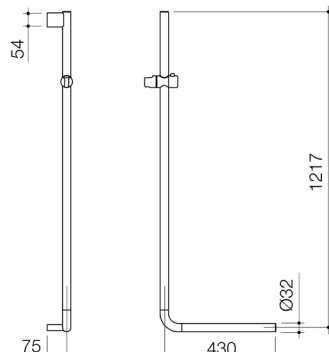
**OPAL SUPPORT RAIL 135 DEGREE RIGHT HAND ANGLED**

Chrome 687379C      Brushed Nickel 687379BN  
 Matte Black 687379B



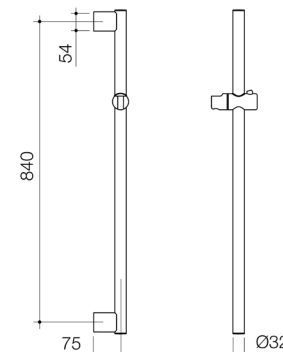
**OPAL SUPPORT RAIL 90 DEGREE ANGLED**

Chrome 687380C      Brushed Nickel 687380BN  
 Matte Black 687380B



**OPAL SUPPORT SHOWER RAIL 90 DEGREE**

Chrome 687381C      Brushed Nickel 687381BN  
 Matte Black 687381B

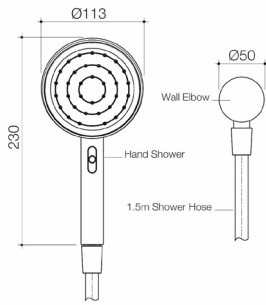


**OPAL SUPPORT SHOWER RAIL STRAIGHT 900MM**

Chrome 687382C      Brushed Nickel 687382BN  
 Matte Black 687382B

# Product Specifications

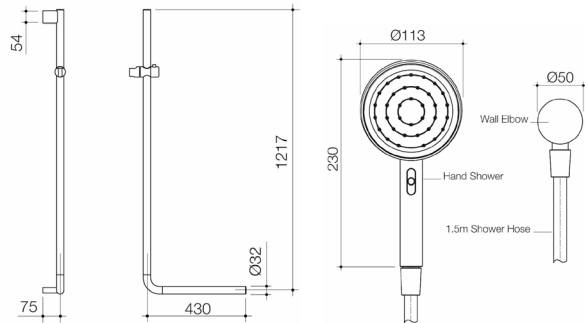
## SUPPORT SHOWERS



### OPAL SUPPORT VJET® HAND SHOWER

Chrome                      Brushed Nickel  
 687365C4E                687365BN4E

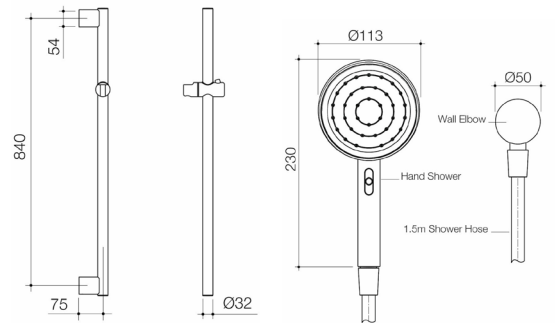
Matte Black  
 687365B4E



### OPAL SUPPORT VJET® SHOWER WITH 90 DEGREE RAIL - LEFT AND RIGHT

Chrome                      Brushed Nickel  
 687368C4E                687368BN4E

Matte Black  
 687368B4E

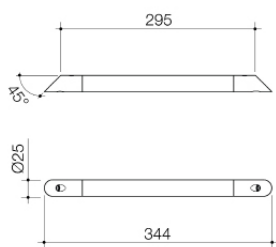


### OPAL SUPPORT VJET® SHOWER WITH 900MM RAIL

Chrome                      Brushed Nickel  
 687367C4E                687367BN4E

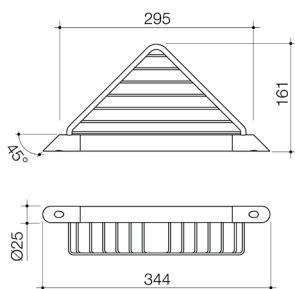
Matte Black  
 687367B4E

**SHOWER ACCESSORIES**



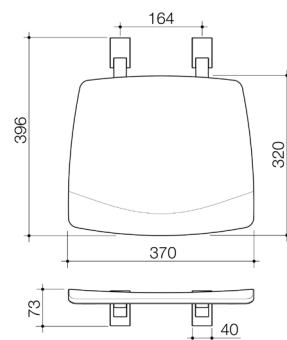
**OPAL SUPPORT CORNER SHOWER RAIL**

Chrome 687383W	Brushed Nickel 687383BN
Matte Black 687383B	



**OPAL SUPPORT CORNER SHOWER RAIL WITH BASKET**

Chrome/White 687384W	Brushed Nickel/ White 687384BN
Matte Black 687384B	

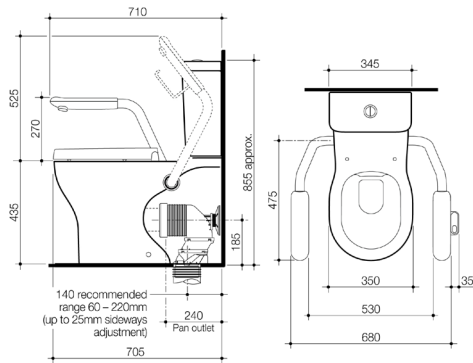


**OPAL SUPPORT SHOWER SEAT FOLDING**

Chrome/White 687385W	Brushed Nickel/ White 687385BN
Matte Black 687385B	

# Product Specifications

TOILET SUITES

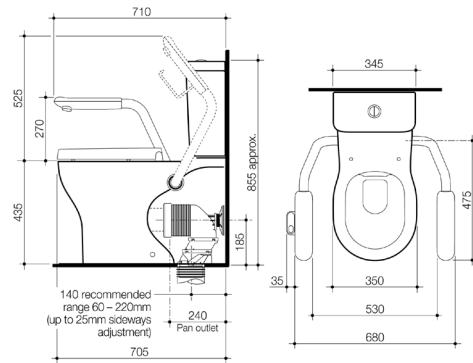


**OPAL CLEANFLUSH® EASY HEIGHT WALL FACED CLOSE COUPLED SUITE WITH DOUBLE FLAP SEAT AND NURSE CALL ARMREST - LEFT**

White (Left)  
985300ARWNCL

Satin Black (Left)  
985600ARBLNCL

Anthracite Grey (Left)  
985700ARAGNCL

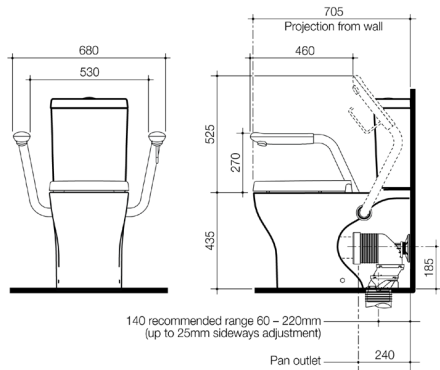


**OPAL CLEANFLUSH® EASY HEIGHT WALL FACED CLOSE COUPLED SUITE WITH DOUBLE FLAP SEAT AND NURSE CALL ARMREST - RIGHT**

White (Right)  
985300ARWNCR

Satin Black (Right)  
985600ARBLNCR

Anthracite Grey (Right)  
985700ARAGNCR

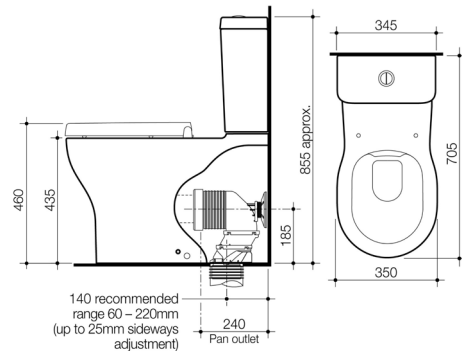


**OPAL CLEANFLUSH® EASY HEIGHT WALL FACED CLOSE COUPLED SUITE WITH DOUBLE FLAP SEAT AND ARMREST**

White  
985300ARW

Satin Black  
985600ARBL

Anthracite Grey  
985700ARAG

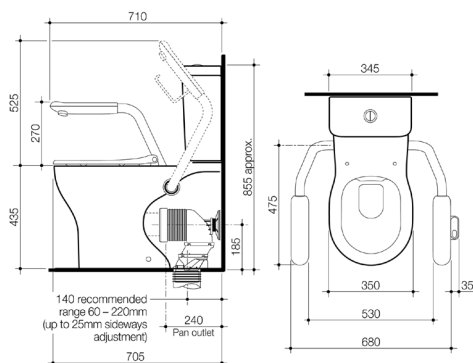


**OPAL CLEANFLUSH® EASY HEIGHT WALL FACED CLOSE COUPLED SUITE WITH DOUBLE FLAP SEAT**

White  
985300W

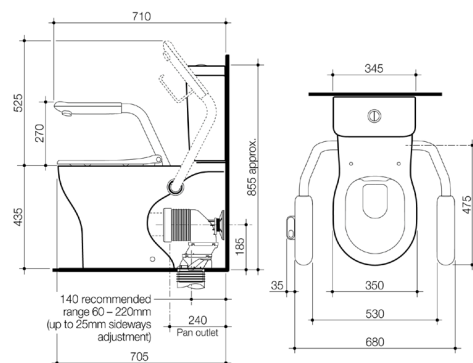
Satin Black  
985600BL

Anthracite Grey  
985700AG



**OPAL CLEANFLUSH® EASY HEIGHT WALL FACED CLOSE COUPLED SUITE WITH SINGLE FLAP SEAT AND NURSE CALL ARMREST - LEFT**

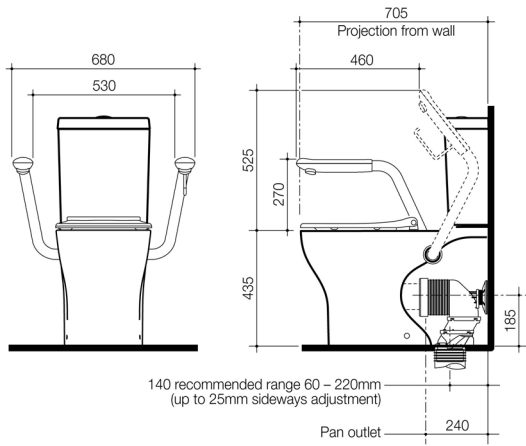
985400ARWNCL



**OPAL CLEANFLUSH® EASY HEIGHT WALL FACED CLOSE COUPLED SUITE WITH SINGLE FLAP SEAT AND NURSE CALL ARMREST - RIGHT**

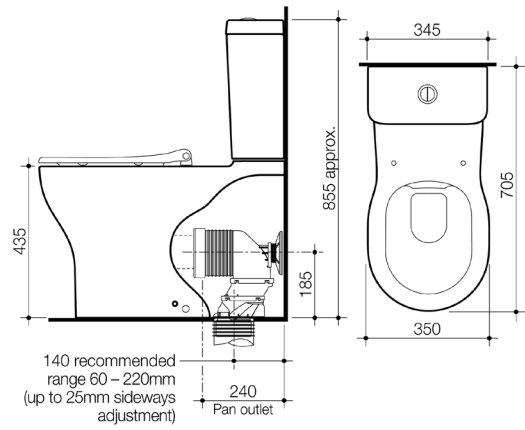
985400ARWNCR





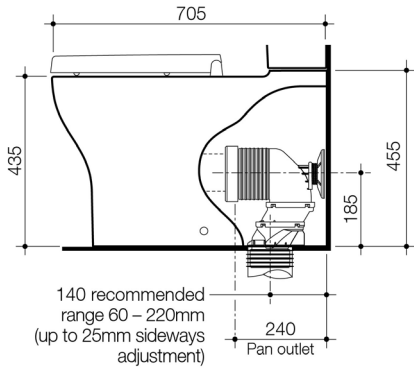
**OPAL CLEANFLUSH® EASY HEIGHT WALL FACED CLOSE COUPLED SUITE WITH SINGLE FLAP SEAT AND ARMREST**

985400ARW



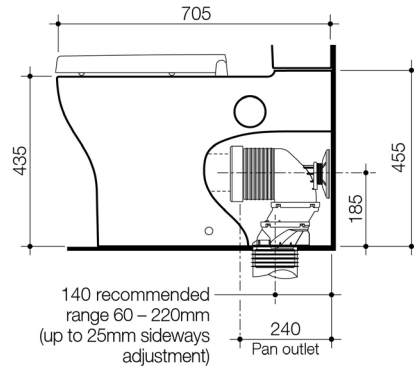
**OPAL CLEANFLUSH® EASY HEIGHT WALL FACED CLOSE COUPLED SUITE WITH SINGLE FLAP SEAT**

985400W



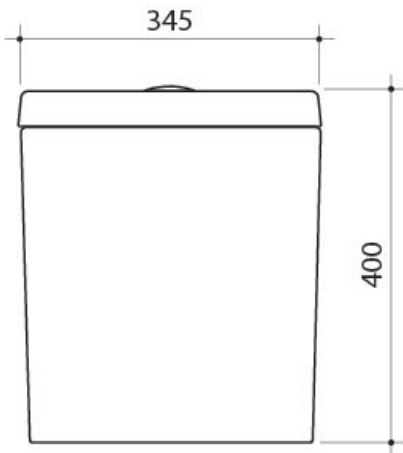
**OPAL CLEANFLUSH® EASY HEIGHT WALL FACED CLOSE COUPLE PAN**

847205W



**OPAL CLEANFLUSH® EASY HEIGHT WALL FACED CLOSE COUPLE PAN WITH ARMREST HOLES**

847206W

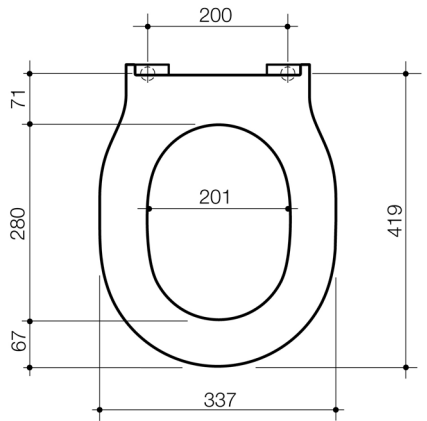


**OPAL CLEANFLUSH® CLOSE COUPLED CISTERN**

622306W

# Product Specifications

TOILET SUITES continued



**OPAL II SINGLE FLAP SEAT WHITE**

300038W

**OPAL II NORMAL CLOSE TOILET SEAT - BLACK**

300031B

**OPAL II SOFT CLOSE TOILET SEAT WITH GERMGARD® - WHITE**

300030W

**OPAL II SOFT CLOSE TOILET SEAT - ANTHRACITE GREY**

300030AG

---

## Notes

### **CAROMA INDUSTRIES LIMITED**

A subsidiary of GWA Group Ltd

#### Australia

---

Level 24, 100 Mount Street  
North Sydney NSW

13 14 16  
Caroma.com.au

#### New Zealand

---

41 Jomac Place Avondale, 0800 804 222  
Auckland 1026 Private Bag 19996 Caroma.co.nz



**EXPLORE AT**  
[specify.caroma.com.au](https://specify.caroma.com.au)

**SUPPORT**  
[caroma.com.au](https://caroma.com.au)  
[caroma.co.nz](https://caroma.co.nz)

**CALL US**  
Call Caroma to speak to  
one of our Professionals

**CAROMA**  
Made For Life