

# Your home, your style

Gyprock® Cornice Range



# Little things mean a lot

Even the smallest details can make a difference to the aesthetic harmony of a room. Gyprock® cornices are the perfect finishing touch to help you create the style you are looking for, especially when balanced with other interior design features.

## Choosing your Gyprock cornice

Choosing the Gyprock cornice that's right for your home is more about your personal style than any hard and fast interior design rules. The wide range of Gyprock cornices has been designed to complement emerging Australian interior style trends and provide an easy and cost effective way to make a subtle or dramatic style statement in your home.

## The latest interior styles

### Coastal

Coastal home interiors draw inspiration from our unique Australian coastline using a bright clean colour palette with light natural timber and woven or natural textures such as rattan and jute.

### Japandi

A fusion of minimal elements of Japanese and Scandinavian design, this style centres around simple, yet sophisticated functional design elements complemented by comfortable and neutral colours.

### Hamptons

The Hamptons style, with its nautical and rural themes, is casual, clean, relaxing, spacious and light-filled with simple and sophisticated aesthetics.

### Barn

The Barn style is comfortable and simple, with uncomplicated forms and features that are warm, casual and often symmetrical.

### Mid-Century

Characterised by simplicity and functionality, Mid-Century style employs clean lines, minimal ornamentation and the juxtaposition of materials.

### Luxe

Luxury minimalism is an approach that selects simple and quality finishes and furnishings while embodying a design philosophy that is clean, clutter-free and functional.

### Contemporary

Contemporary design is fresh, clean and modern often with unexpected elements cleverly integrated into the overall design.



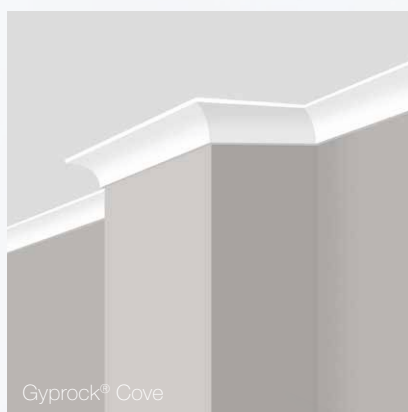


Take contemporary elegance a step further with extra detail for added style.

# The Gyprock<sup>®</sup> Cornice Range

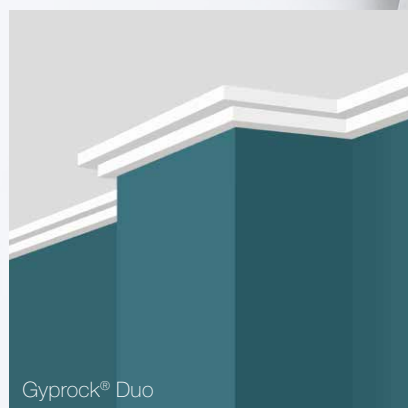
## Standard Cornice

Gyprock Cove has long been the standard cornice choice for Australian home builders. Its functional profile does not detract from common décor styles and it is available in three profile sizes (55, 75 & 90mm) to suit different ceiling heights and applications.



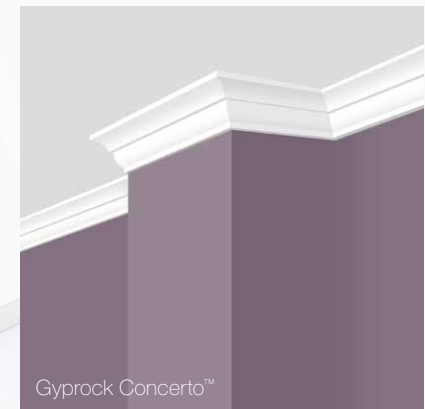
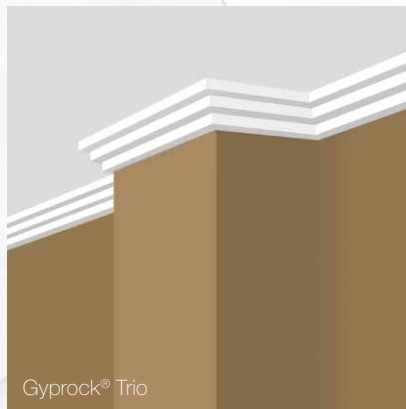
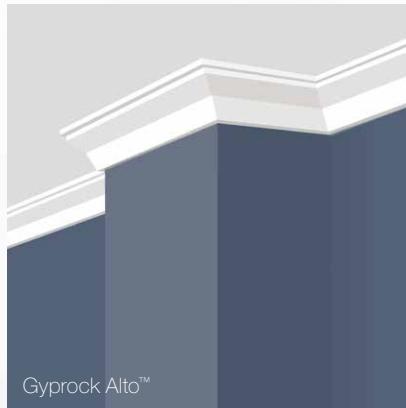
## The Contemporary Range

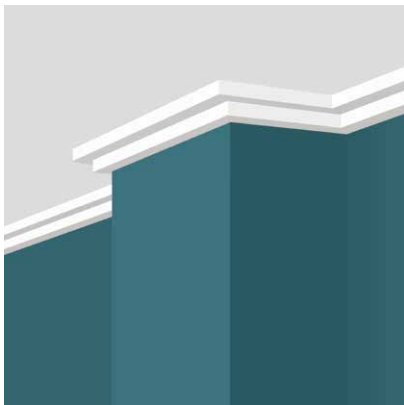
If your style calls for something a little more modern and streamlined, the Gyprock Contemporary range offers 2 more minimalistic profiles that will add interest with simple, fresh appeal.



### The Inspirations Range

Upgrading to a Gyprock cornice from our Inspirations range will give your home a new dimension of style and detail. Whether minimal, traditional or modern in style, each has a unique and distinctive look that can add quality and value to your home.

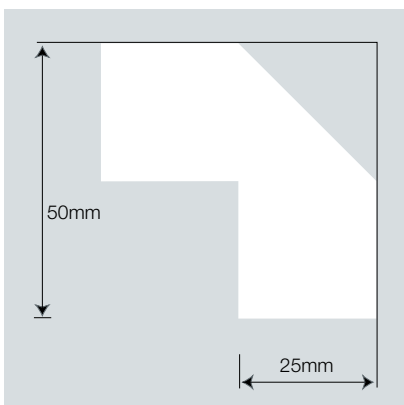




## Gyprock® Duo

The simple, strong profile design of Gyprock Duo features modern lines for a short, sharp statement. This minimalistic, 50mm profile is ideally suited to modern homes and décor.

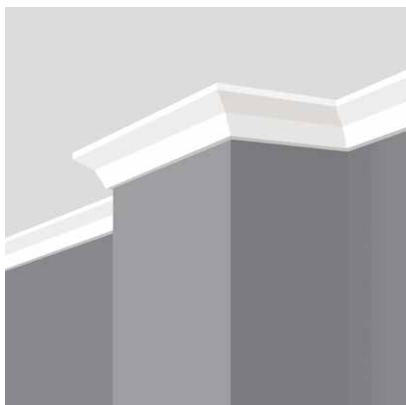
- 50mm profile
- Simple, sharp design
- Suits Mid-Century and Barn interior styles



Gyprock® Trio is an ideal matching profile that provides a slightly larger form factor for more dramatic style in spaces such as living and dining rooms.



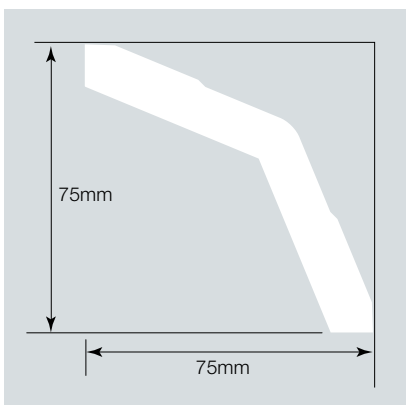
A two step profile that makes a short but sharp statement in contemporary rooms with modern décor.



## Gyprock Aria™


Aria features a slimline profile with a subtle centre deflection design that creates a contemporary feel. The compact, 75mm profile and simple styling is a perfect companion to modern décor and trims.

- 75mm profile
- Clean, elegant design
- Suits Contemporary and Hamptons interior styles



If you are looking for a complementary style cornice to add extra dimension to a special area in your home, Gyprock Alto™ is the perfect companion to Aria.





A smooth, streamlined profile with clean lines to create simple, contemporary elegance.

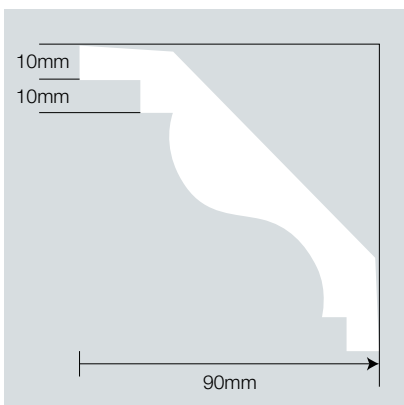
NEW!



## Gyprock Opera™

An instant classic, the Opera design features a combination of flowing curves and distinctive lines. This timeless 90mm profile is designed to bring a sense of sophistication and elegance to any room.

- 90mm profile
- Classical curves and stepped border
- Can be retrofitted over 55mm Cove cornice making it an ideal upgrade when elevating your living space
- Suits Luxe and Contemporary interior styles





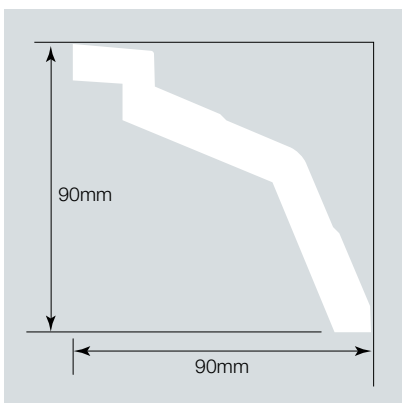
Opera's classical curves and modern lines provide an elegant finishing touch to any room.



## Gyprock Alto™

Alto presents a deeper profile with smooth surfaces complemented by a crisp shadow line at the ceiling. This 90mm profile delivers a simple, yet striking presence for contemporary style homes.

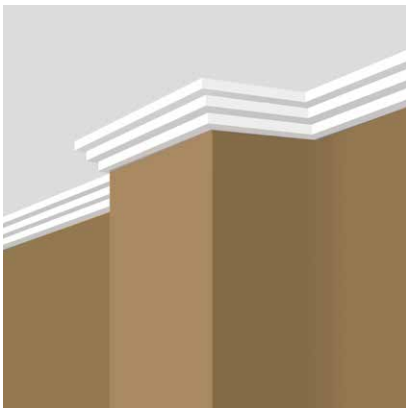
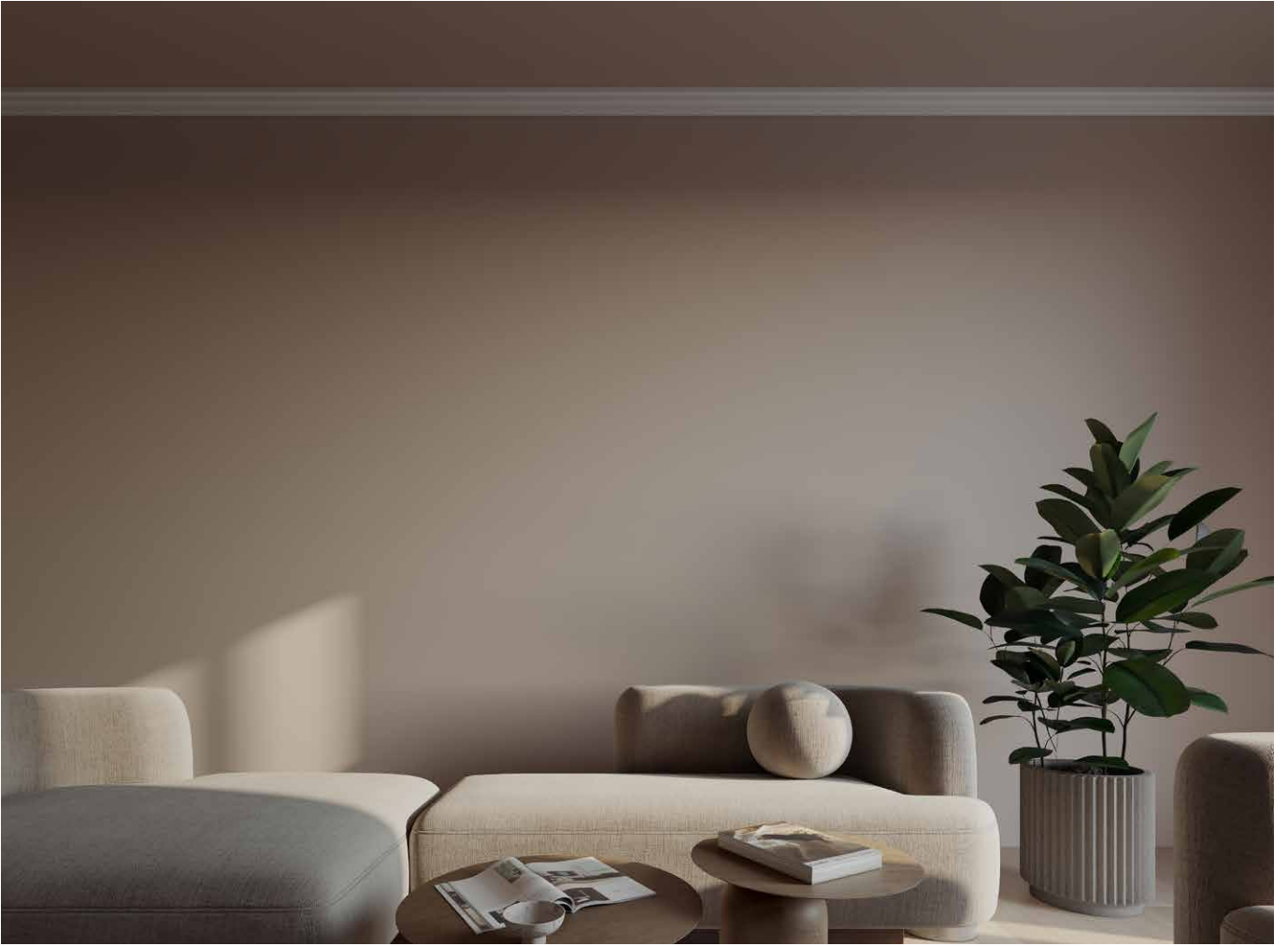
- 90mm profile
- 10mm step along ceiling edge
- Suits Contemporary and Coastal interior styles



For a more simple style in utility rooms and bedrooms, Gyprock Aria™ is the ideal complementary choice.



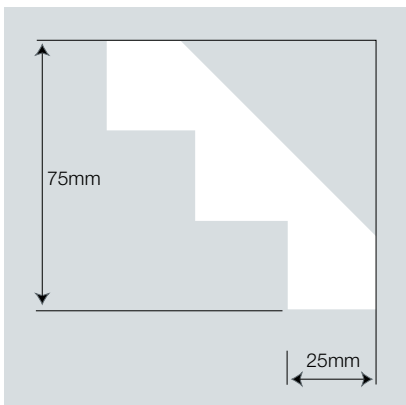
The perfect choice for  
a contemporary living  
space or bedroom, Alto  
is stylish yet unobtrusive.



# Gyprock® Trio

With its dramatic 3-step profile and strong, modern lines, Trio brings a refreshing style to any room. Featuring a compact, 75mm profile, Trio is the ideal complement to modern décor.

- 75mm profile
- Modern 3-step design
- Suits Mid-Century and Barn interior styles



For a more minimalistic profile size in areas such as hallways and utility rooms, Gyprock® Duo is the perfect partner profile.

A three step profile  
providing modern,  
symmetrical lines  
for all ceiling heights.

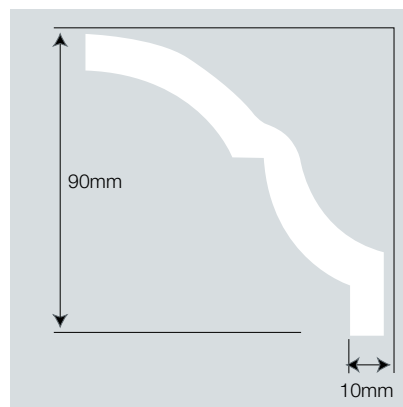




# Gyprock Concerto™


A versatile performer, by day Concerto combines smooth curves and distinctive lines for a modern architectural profile. By evening, its subtle centre step creates a dramatic shadow that changes the mood of the room.

- 90mm profile
- Smooth curves and sharp centre step
- Can be installed reversed for a completely different effect
- Suits Japandi and Contemporary interior styles

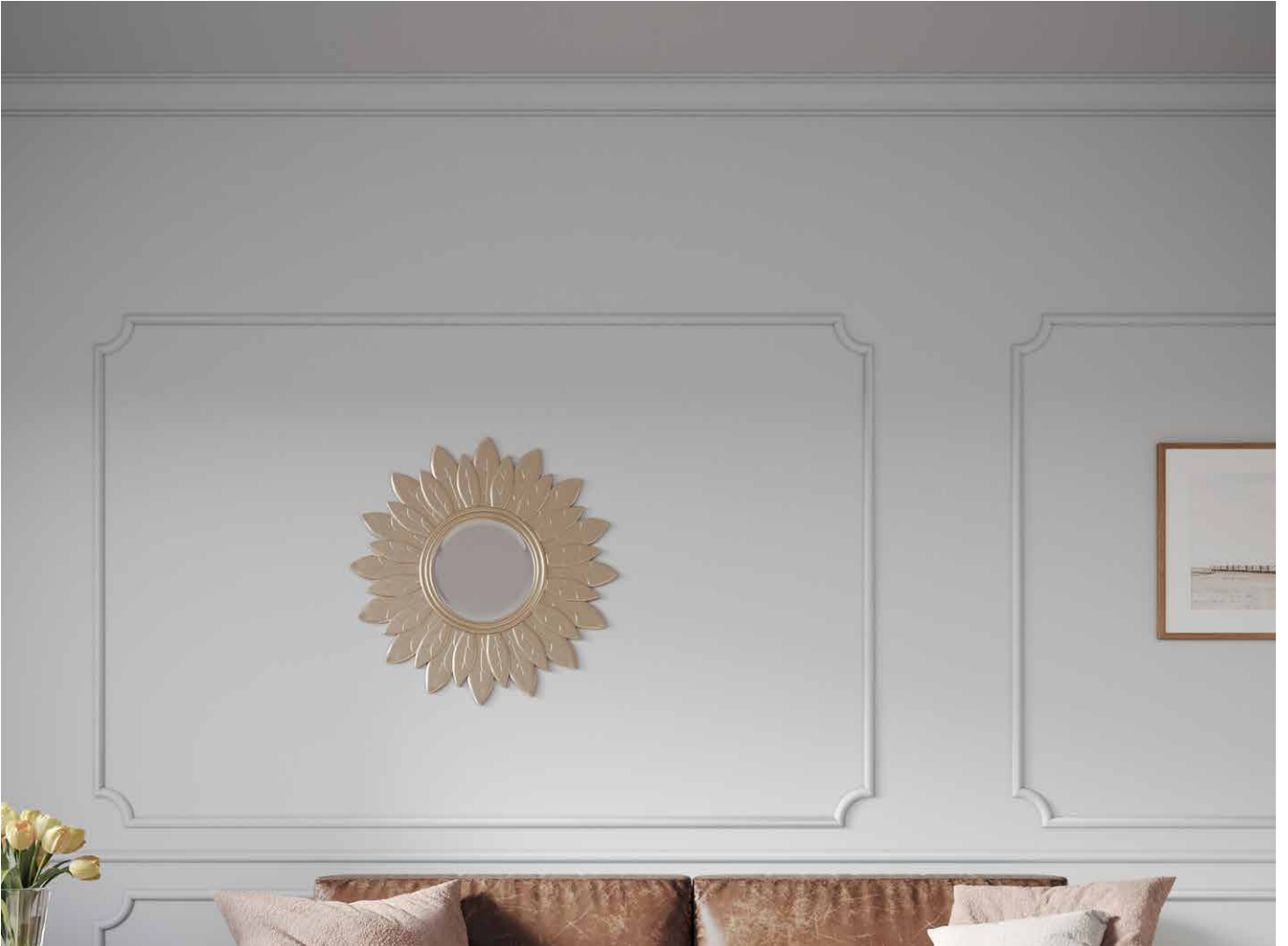


The soft curves of Gyprock Symphony™ complement Concerto perfectly to give spaces like dining and lounge rooms a more traditional or formal style.



A modern interior scene featuring a white, textured armchair in the foreground. Behind it is a large, arched wooden frame containing a framed abstract painting with organic shapes in muted colors. To the left of the arch is a tall, narrow vertical light fixture. The wall to the left is covered in vertical wood paneling. A small table with a glass lamp is visible in the bottom left corner. The floor is made of light-colored wood. A dark grey semi-transparent box with white text is overlaid on the right side of the image.

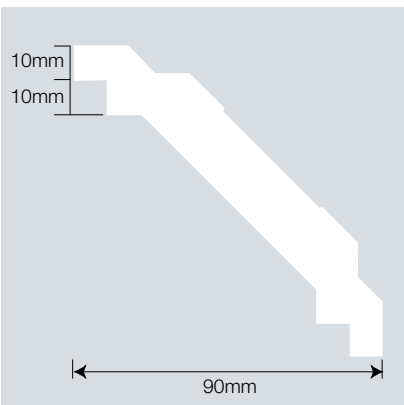
The centre step of Concerto adds a dramatic shadow feature to introduce a more formal style.



# Gyprock Tempo™

Featuring multiple shadow effects, Tempo gives every room a designer edge with strong lines and clean surfaces. Easy to install over existing cornice, Tempo is a popular choice for contemporary interior upgrades.

- 90mm profile
- A multiple shadow line creates a designer edge with a crisp modern feel
- Suits Barn and Mid-Century interior styles





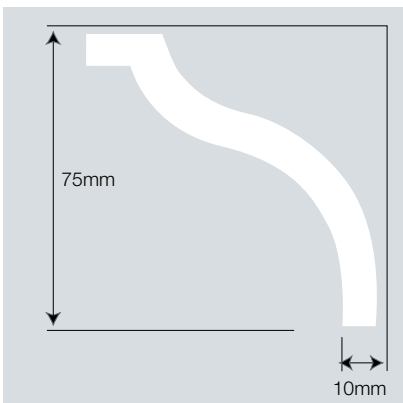
Tempo's modern lines and 90mm profile lifts the sense of space in contemporary, designer decorated rooms.



# Gyprock Symphony™

A timeless design with a more traditional character, Symphony hits all the right notes. Inspired by European master craftsmen with its flowing lines and multi-dimensional curves, Symphony gives an elegant touch to any room.

- 75mm profile
- Combines a strong shadow line with an attractive wave effect
- Suits Contemporary and Luxe interior styles

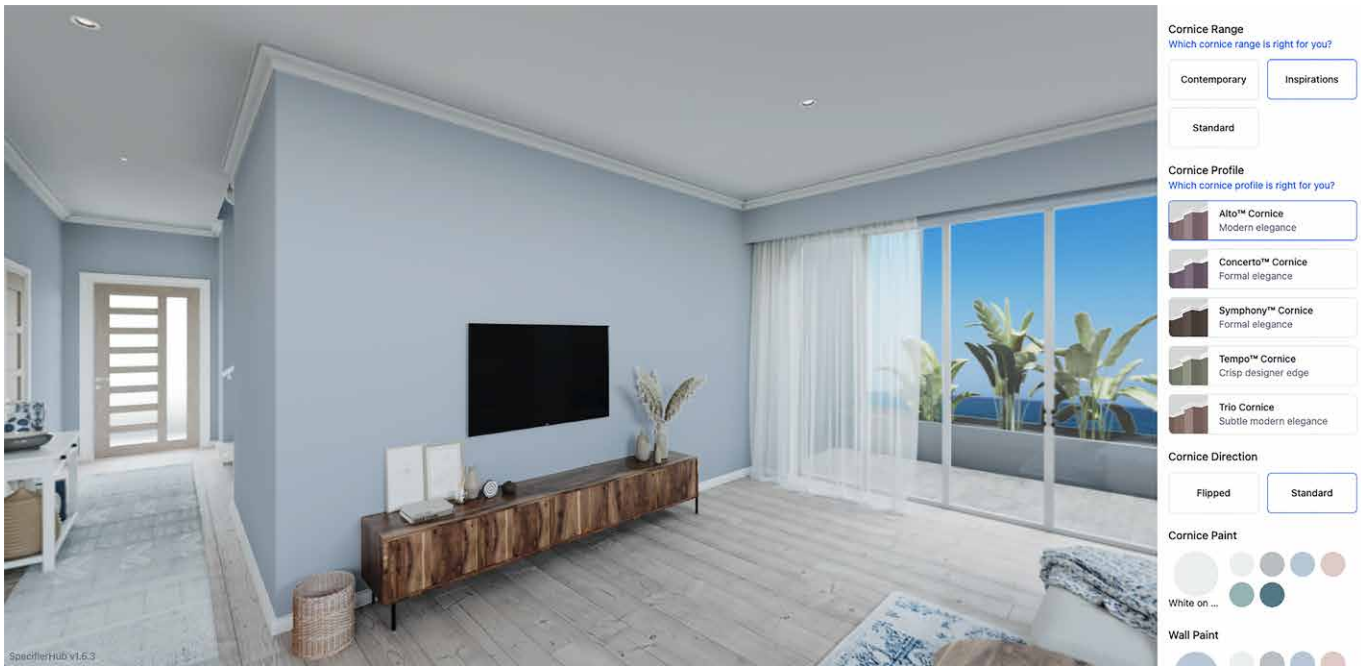


For a more modern style that combines smooth curves and a dramatic centre step, Gyprock Concerto™ is the an ideal complementary profile.



A more traditional or formal style to complement room features with softer curves – ideally suited to lower ceilings.

# A finishing touch: Visualise your finishing touches online



Still unsure which cornice will work best for your style?

Visit [gyprock.com.au/myvisualiser](https://www.gyprock.com.au/myvisualiser)

Our interactive room visualiser will allow you to see how Gyprock cornices look in a variety of room styles with your choice of wall colour, ceiling height, lighting effects and accessories.

To see the range of Gyprock cornices, ask your builder or visit a Gyprock Specialist Distributor. For your nearest Gyprock Trade™ centre or specialist distributor, visit [www.gyprock.com.au](https://www.gyprock.com.au)

Gyprock is Australia's leading plasterboard manufacturer and whether your cornice is installed by your builder or by you, following our simple DIY installation guides, Gyprock cornices are backed by our Manufactured For Life Warranty.

# GYPROCK®

For more information about the Gyprock® cornice range, call 1300 306 556 or visit [gyprock.com.au](https://www.gyprock.com.au)

Trinity 3, 39 Delhi Road, North Ryde, NSW 2113, Australia  
CSR Building Products ABN 55 008 631 356

