

Basic Information

**Whole Element**



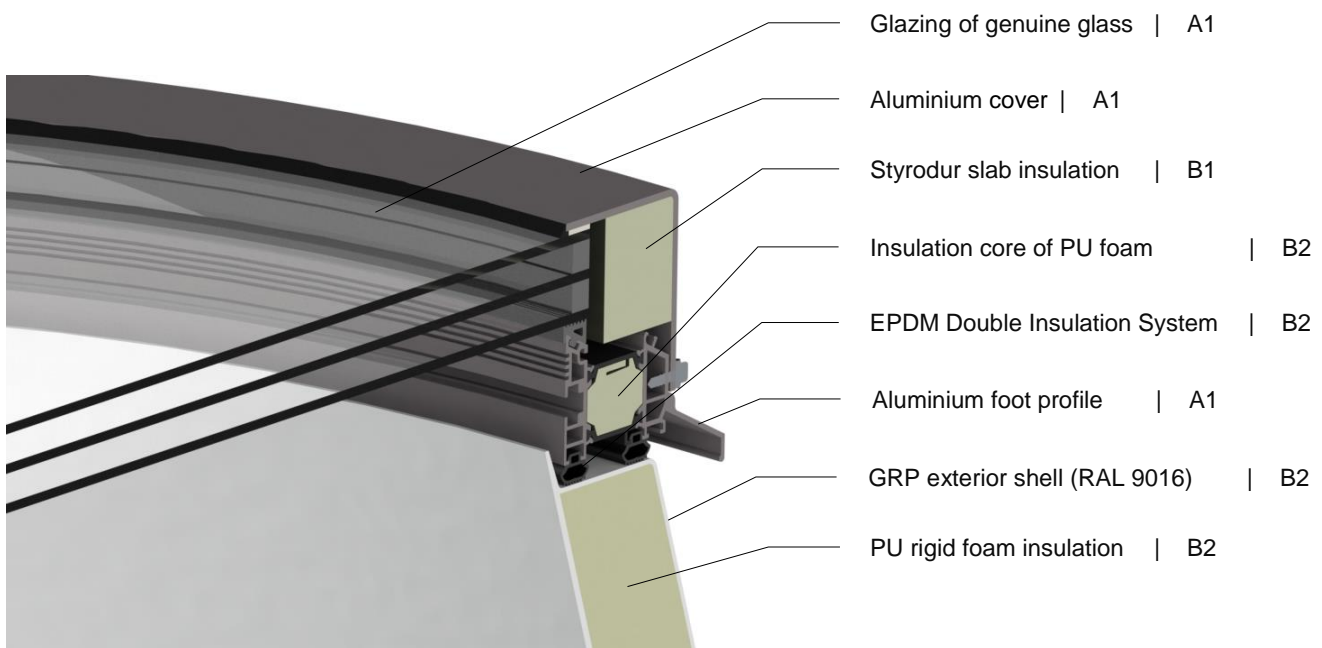
Glass Element closed



Glass Element opened in ventilation position

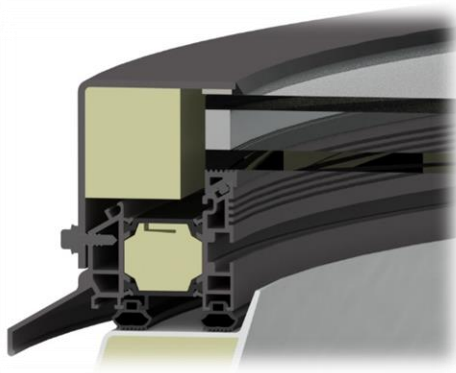
- Convenient for residential and administration buildings
- Permanently beautiful design: scratchproof special glass
- Always clean: permanently clear view
- LGA certificate permanent fall-through proofing

**Materials and Building material classes**

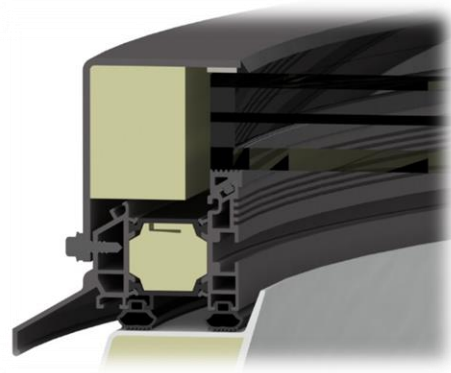


Basic Information

Upper part



Glass Structure  
Double Glazing



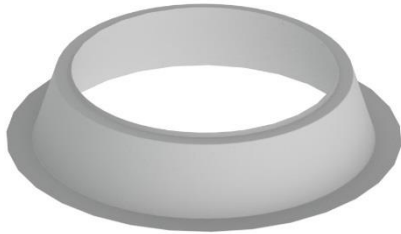
Glass Structure  
Triple Glazing

	Discription	Code	External glazing	SZR	Middle glazing	SZR	Internal glazing	Light transmission $\tau$ [%]	Total energy transmittance $g$ [%]	Sound insulation value $R_{w,p}$ [dB]	Heat transition $U_g$ [W/m <sup>2</sup> K]
<b>Double glazing</b>	Thermal insulation glazing	W 102	6 TSG	16	-	-	8 LSG 0,76 clear	80	62	38	1,1
	Thermal insulation glazing	W 103	6 TSG	16	-	-	8 LSG 0,76 opal	54	59	38	1,1
	Thermal insulation glazing 68/44	W 106	6 TSG	16	-	-	8 LSG 0,76 clear	69	48	38	1,0
	Thermal insulation glazing 50/34	W 107	6 TSG	16	-	-	8 LSG 0,76 opal	47	46	38	1,0
	Thermal insulation glazing (BioClean)	W 111	6 TSG	16	-	-	8 LSG 0,76 clear	80	62	38	1,1
	Thermal insulation glazing (BioClean)	W 112	6 TSG	16	-	-	8 LSG 0,76 opal	54	59	38	1,1
	Sun protection glazing 48/27 Neutral	S 101	6 TSG	16	-	-	8 LSG 0,76 clear	49	27	38	1,1
	Sun protection glazing 48/27 Neutral	S 102	6 TSG	16	-	-	8 LSG 0,76 opal	33	26	38	1,1
	Sun protection glazing 60/48 Silver	S 105	6 TSG	16	-	-	8 LSG 0,76 clear	59	48	37	1,1
	Sun protection glazing 60/48 Silver	S 106	6 TSG	16	-	-	8 LSG 0,76 opal	37	47	37	1,1
	Sun protection glazing 60/30 Neutral	S 109	6 TSG	16	-	-	8 LSG 0,76 clear	61	30	38	1,0
	Sun protection glazing 60/30 Neutral	S 110	6 TSG	16	-	-	8 LSG 0,76 opal	41	29	38	1,0
	Sun protection glazing 70/40 Neutral	S 113	6 TSG	16	-	-	8 LSG 0,76 clear	69	37	38	1,0
	Sun protection glazing 70/40 Neutral	S 114	6 TSG	16	-	-	8 LSG 0,76 opal	47	35	38	1,0
Sound insulation glazing 45 dB	SS11TSG	10 TSG	16	-	-	8 LSG 0,76 clear	79	55	45	1,1	

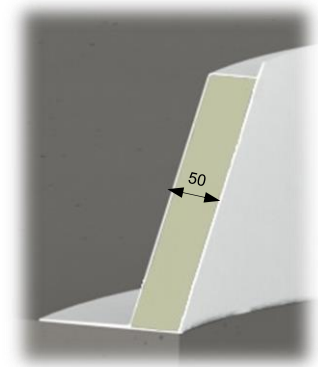
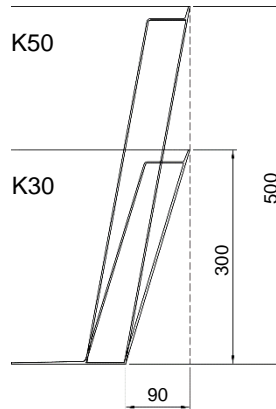
	Discription	Code	External glazing	SZR	Middle glazing	SZR	Internal glazing	Light transmission $\tau$ [%]	Total energy transmittance $g$ [%]	Sound insulation value $R_{w,p}$ [dB]	Heat transition $U_g$ [W/m <sup>2</sup> K]
<b>Triple glazing</b>	Thermal insulation glazing	W 110	6 TSG	14	4 Float	14	8 LSG 0,76 clear	72	51	39	0,6
	Thermal insulation glazing	W 303	6 TSG	14	4 Float	14	8 LSG 0,76 opal	49	50	39	0,6
	Thermal insulation glazing (BioClean)	W 311	6 TSG	14	4 Float	14	8 LSG 0,76 clear	72	51	39	0,6
	Thermal insulation glazing (BioClean)	W 312	6 TSG	14	4 Float	14	8 LSG 0,76 opal	49	50	39	0,6
	Sun protection glazing 60/30	S 117	6 TSG	14	4 Float	14	8 LSG 0,76 clear	55	28	39	0,6
	Sun protection glazing 60/30	S 118	6 TSG	14	4 Float	14	8 LSG 0,76 opal	37	27	39	0,6
	Sun protection glazing 48/25	S 121	6 TSG	14	4 Float	14	8 LSG 0,76 clear	45	25	39	0,6
	Sun protection glazing 48/25	S 122	6 TSG	14	4 Float	14	8 LSG 0,76 opal	31	23	39	0,6
	Sun protection glazing 70/40	S 125	6 TSG	14	4 Float	14	8 LSG 0,76 clear	62	35	39	0,6
	Sun protection glazing 70/40	S 126	6 TSG	14	4 Float	14	8 LSG 0,76 opal	42	34	39	0,6

Basic Information

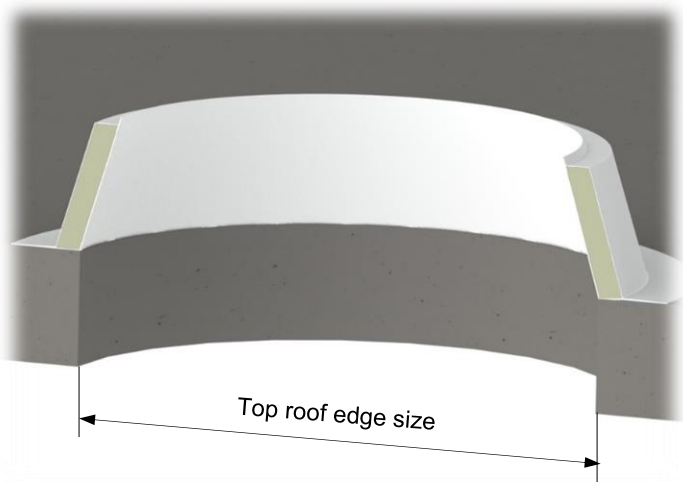
**Lower part**



Upstand with slanting geometry



**Sizes**



Available top roof edge sizes for K30 / K50

ø90	ø100	ø120	ø150
-----	------	------	------

**Optional Accessory**

Coating



Standard colour RAL 9016 traffic white

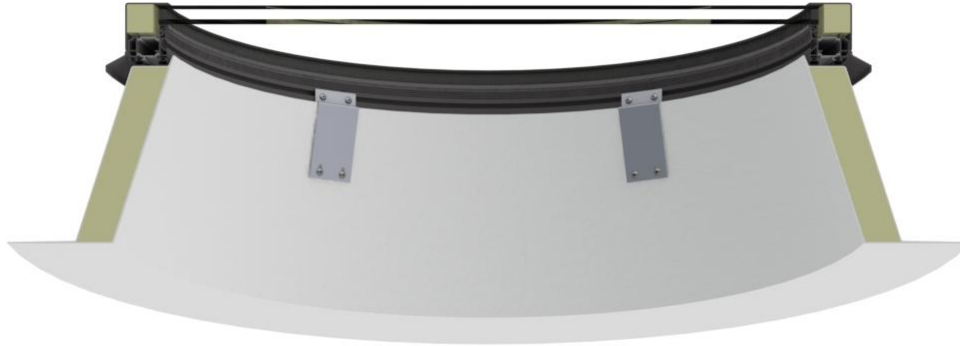
The aluminium parts can be coated optionally in all RAL colours

Basic Information

---

**Variants**

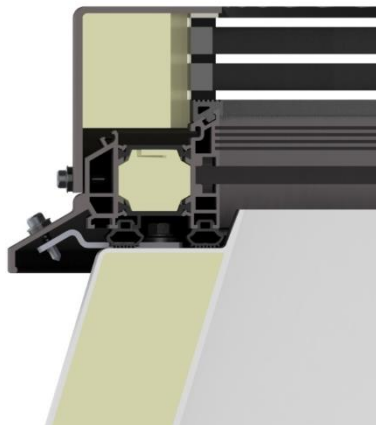
1



Rigidly screwed  
with twice Z metal sheet

---

2



Rigidly screwed  
from outside

---

3



Spindle drive  
Type Jo65  
24V, 300mm hub