

KEY-KOMPRESS



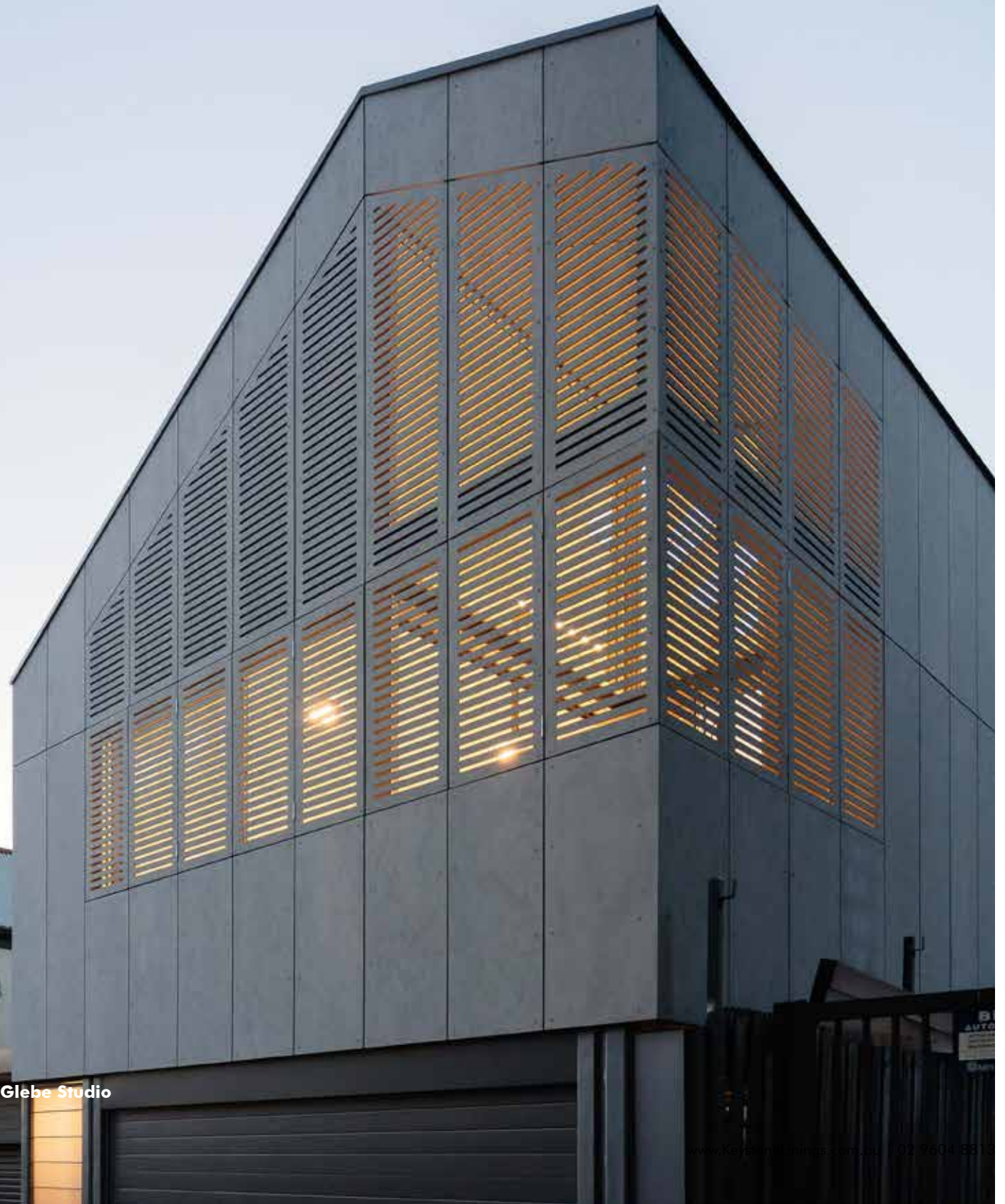
KEYSTONE
LININGS & ACOUSTICS



We bring Architects Imagination to Life

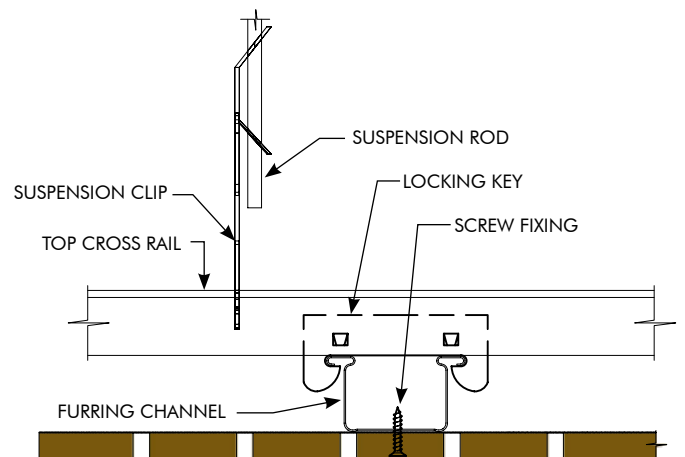
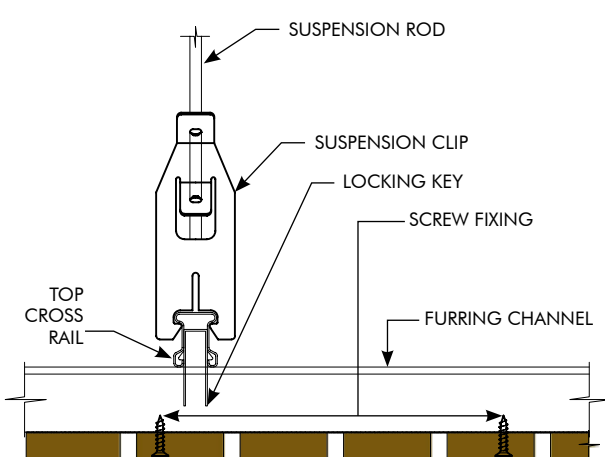
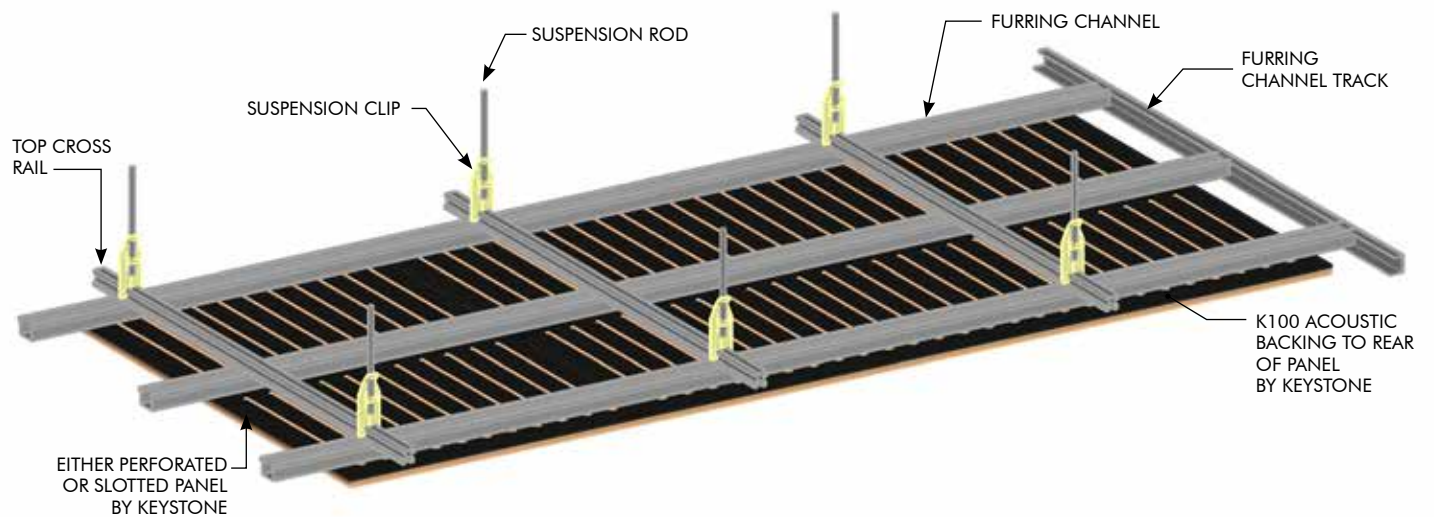
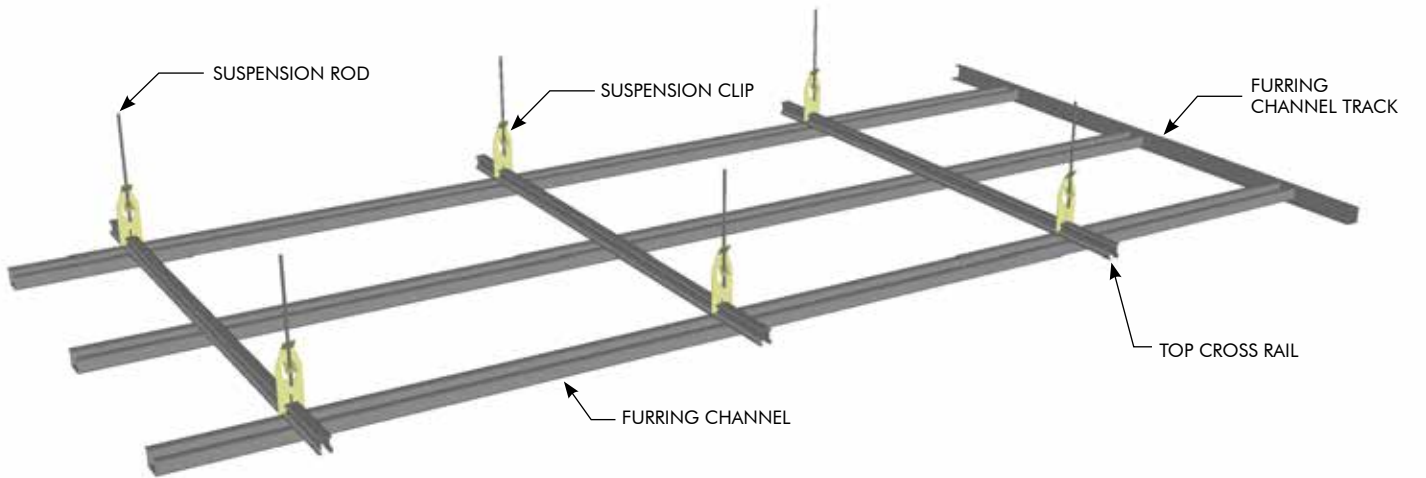
www.KeystoneLinings.com.au

INSTALLATION GUIDE CEILING & WALLS

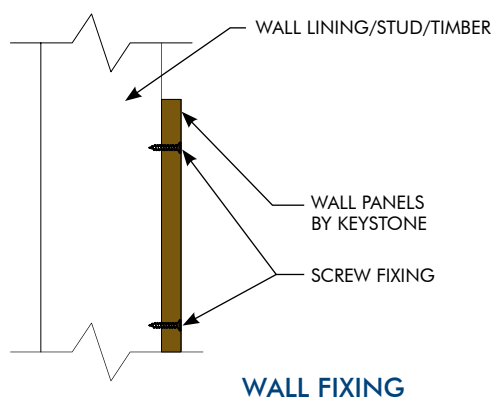
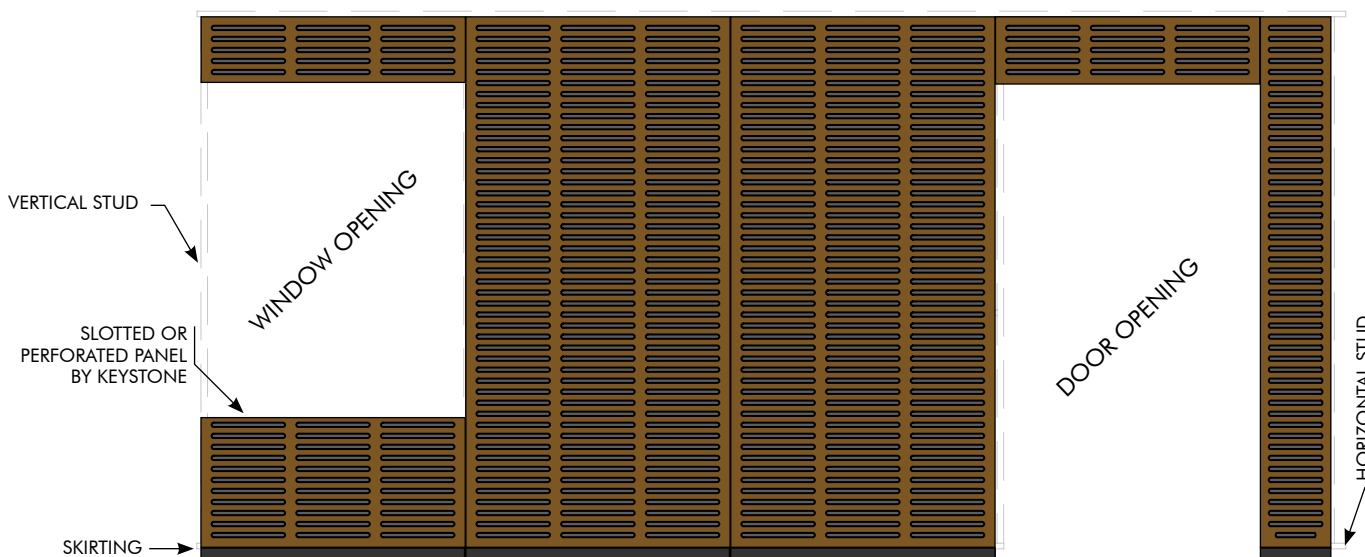
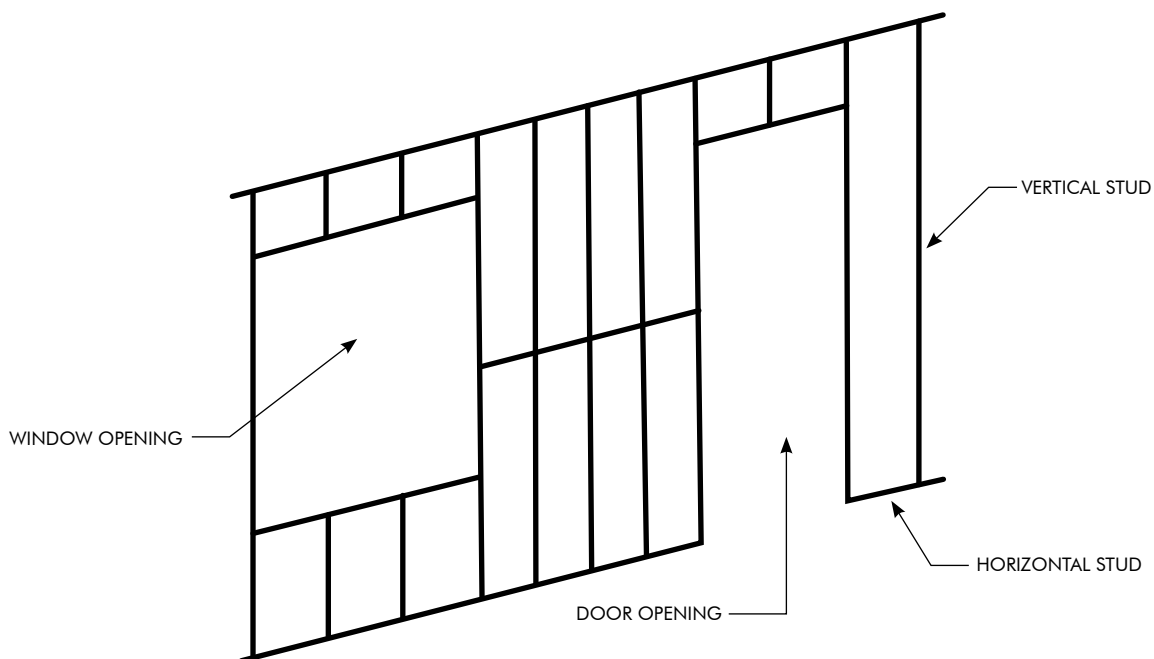


KEY-KOMPRESS

INSTALLATION GUIDE - CEILING



EITHER PERFORATED OR SLOTTED PANEL BY KEYSTONE



Refer to recessed edge installation guide for further details.

Refer to James Hardie and/or plaster manufacturer installation guide for more details.

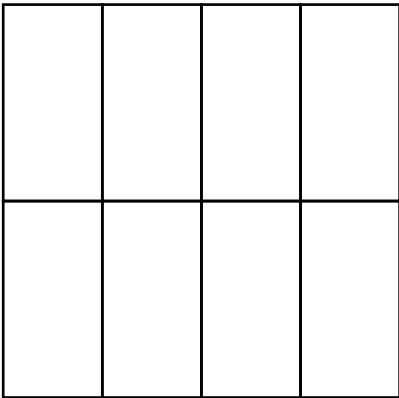


Highett Early Learning Centre

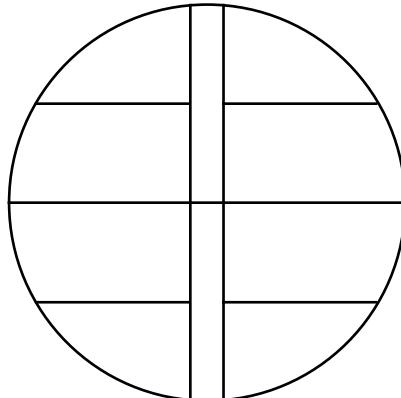
KEY-KOMPRESS

PANEL LAYOUT OPTIONS - CEILING AND WALL

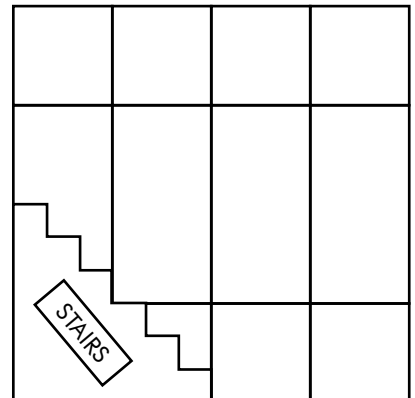
STANDARD VERTICAL LAYOUT



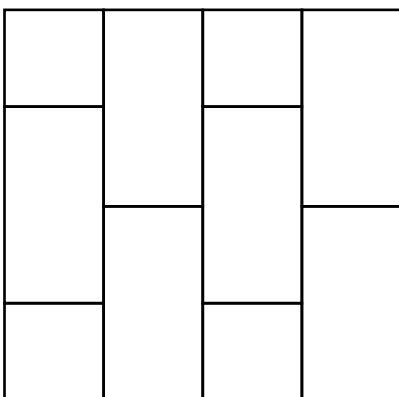
SHAPED PANELS LAYOUT



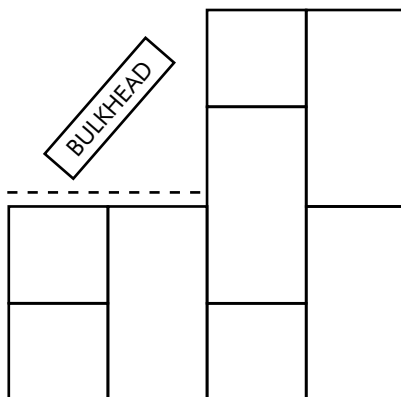
STANDARD VERTICAL LAYOUT



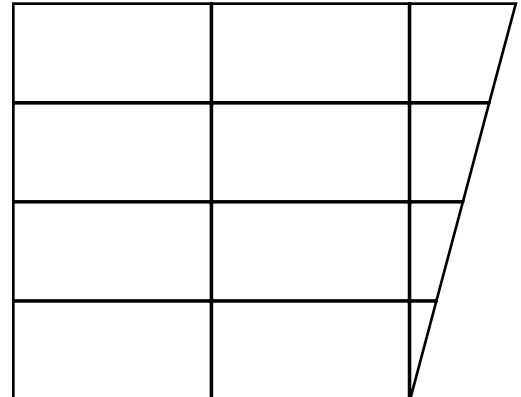
STANDARD VERTICAL BRICK PATTERN



STANDARD VERTICAL BRICK PATTERN BULKHEAD



STANDARD HORIZONTAL LAYOUT - SHAPED PANELS



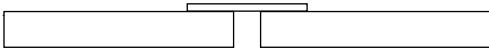


Highett Early Learning Centre

KEY-KOMPRESS

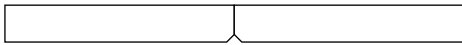
EDGE DETAIL AND JOINT OPTIONS

ED - 10/S
ED - 15/S

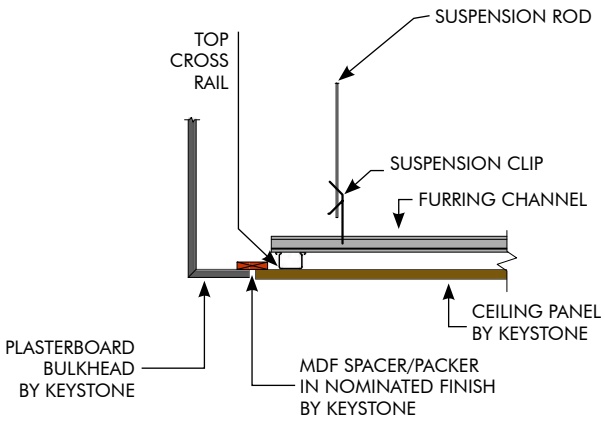


- Express Joint Detail - Square edge
- 50MM X 0.7MM Black Laminate Strips

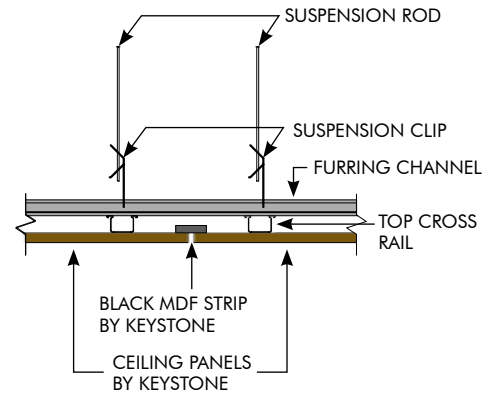
ED - 3/1.5V
ED - 6/3V



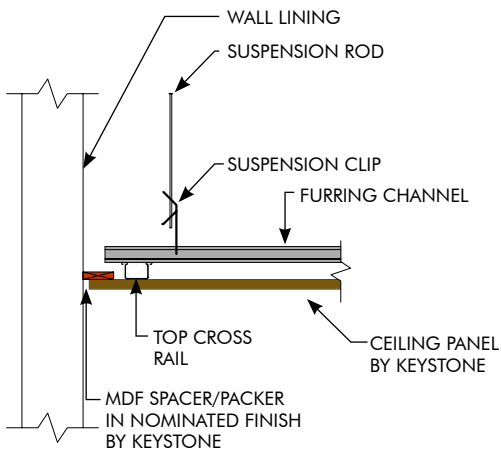
- 45° Arris Joint Detail



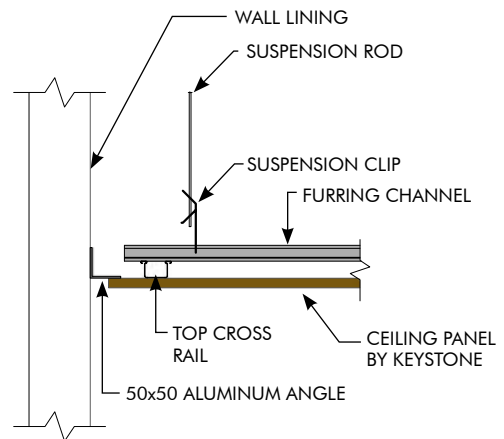
PLASTERBOARD & CEILING PANEL JUNCTION



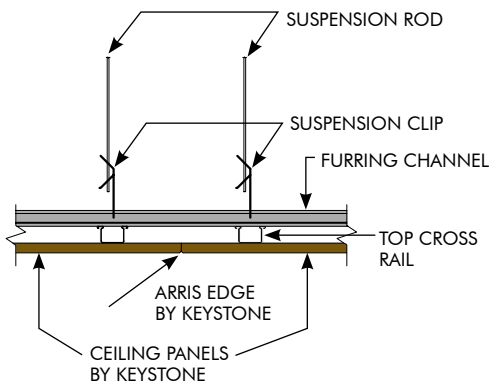
EXPRESS JOINT DETAIL



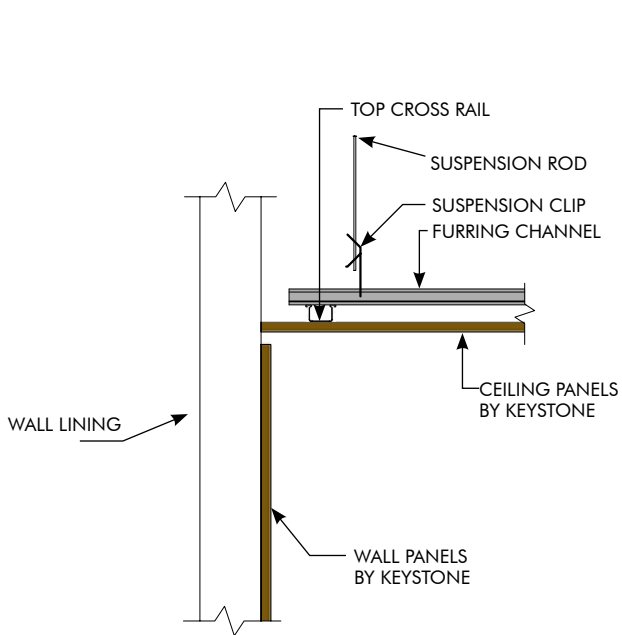
CEILING PANEL AT WALL JUNCTION (TYPE 1)
MDF SPACER/PACKER



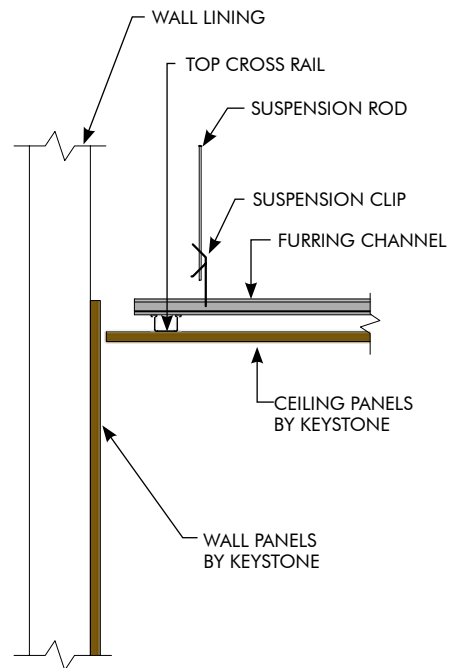
CEILING PANEL AT WALL JUNCTION (TYPE 2)
ALUMINUM ANGLE



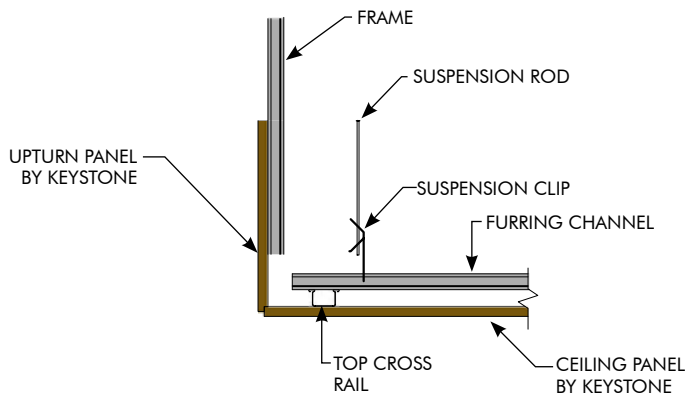
ARRISED CORNER BUTT JOINT DETAIL



**CEILING PANEL AT WALL JUNCTION
(TYPE 4)**



**CEILING PANEL AT WALL JUNCTION
(TYPE 3)**



**CEILING PANEL AT WALL JUNCTION
BIRDS BEAK DETAIL
(TYPE 5)**

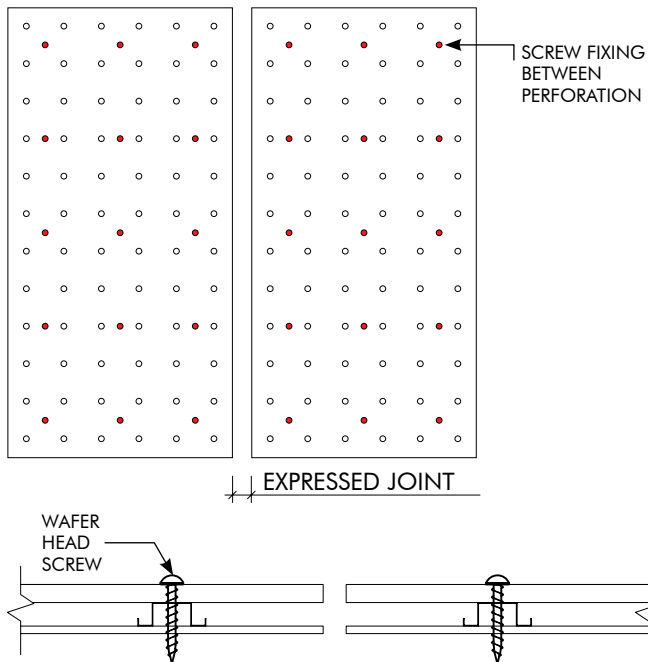


Frazers

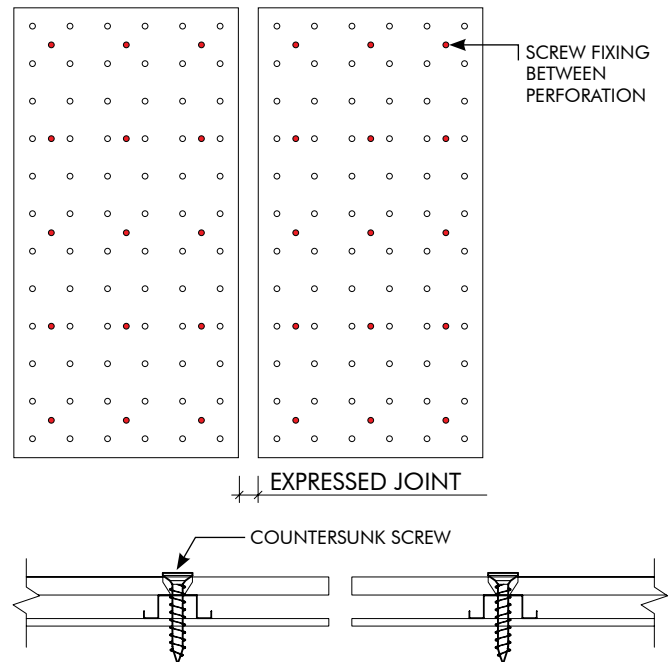
KEY-KOMPRESS

EXPOSED FIXING OPTIONS - CEILING & WALLS

EXPOSED FACE FIXING - WAFFER HEAD SCREWS



EXPOSED FACE FIXING - COUNTERSUNK SCREWS



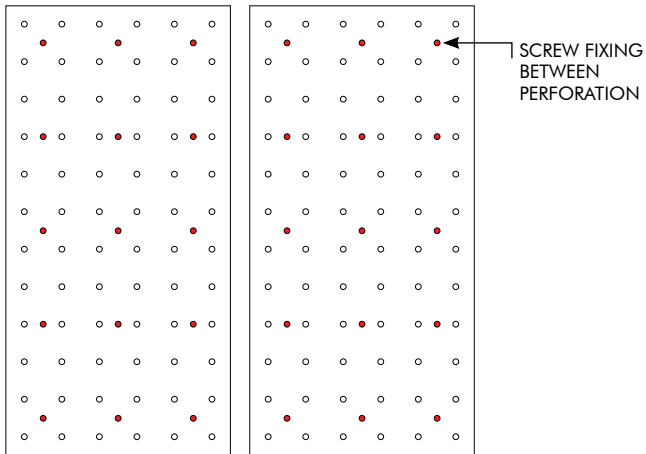


Highett Early Learning Centre

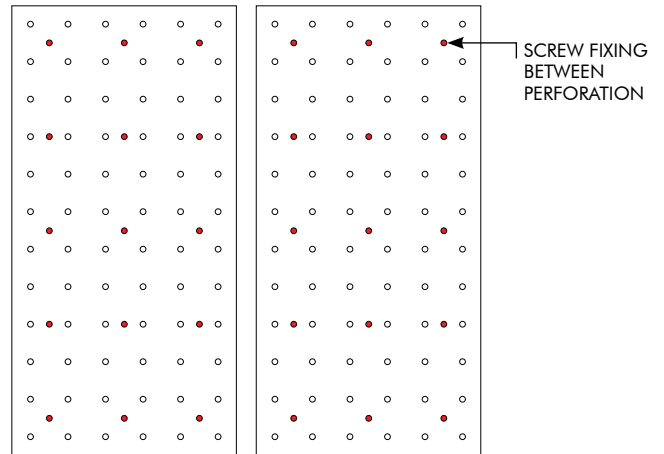
KEY-KOMPRESS

FACE FIXING - CONCEALED FACE FIXING

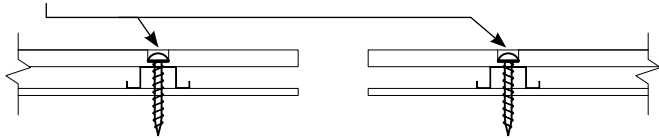
EXPOSED FACE FIXING - WAFFER HEAD SCREWS



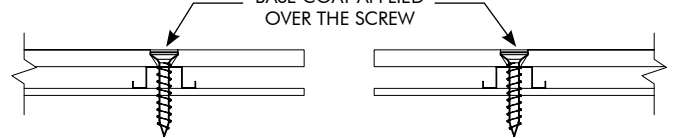
EXPOSED FACE FIXING - COUNTERSUNK SCREWS



BASE COAT APPLIED
OVER THE SCREW



BASE COAT APPLIED
OVER THE SCREW





Level 1, 7-8 Davis Road,
Wetherill Park, NSW 2164
02 9604 8813
www.KeystoneLinings.com.au