

DESKLINE®
IMPROVING ERGONOMICS

Electric height adjustment of kitchens and counters

Baselift™ - Ergonomics meets Innovation



LINAK® 
WE IMPROVE YOUR LIFE



BaseliftTM
Ergonomics meets Innovation

World-class innovation requires the right equipment, right down to the base line

The market trend within the kitchen and retail business is centred around end-users focusing more and more on Ergonomics and Comfort – both at work and in their home lives. This trend has led to a demand for height adjustable solutions that does not compromise the aesthetic design.



LINAK sees kitchens and retail counters as workstations similar to office desks, where adjustment for the individual is a must. The combination of the market trend, our knowledge, expertise and enthusiasm for height adjustable solutions has led to development of the innovative world-class solution Baselift™ system.



The clever move

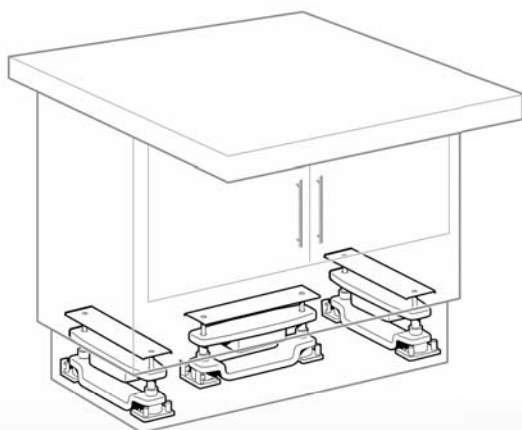
Stay ahead of the crowd and let Baselift set your kitchen and counters apart for the competition. The Baselift system is very compact. It can be built into the base without interfering with the size of the cabinets. It is also very easy to integrate.

A solid start can make all the difference

Like any foundation, a solid start can make all the difference. The well-constructed Baselift system is multi-parallel and can run with up to 16 units. For optimal stability of your height adjustable kitchen or counter, it is important that you consider the number of Baselifts and the placement of these.

One-person installation

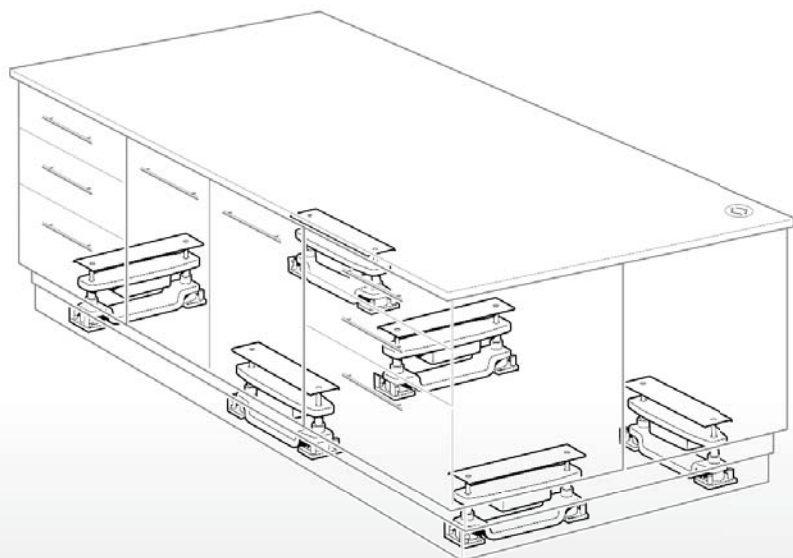
The Baselift is a lifting unit within the LINAK® DESKLINE® product range, where all components work together. The system is easy to mount and can be handled by one service technician only.



True systems where everything fits – **it is simply Plug & Play.**



Scan the QR code and view a short video about mounting the baselift system.



The size and type of kitchen/counter influences the number of Baselifts and the placement of these. Please consult your LINAK sales representative to discuss the optimal solution.

Be 100 mm ahead of the crowd

Baselift is a compact lifting unit with a built-in dimension of only 100 mm. The adjustment range is also 100 mm, which is enough to fit most users in a stand-stand or sit-sit situation.

Baselift™

- Thrust 1500 N
- Speed 14 mm/s
- Built-in 100 mm
- Stroke 100 mm



Control box CBD65

- Compact, lightweight
- ZERO™ standby power consumption
- PVC-free as standard
- Intuitive cable management
- High performance, low pleasant sound and constant speed of the system



Desk Panel DPH

- Small, compact panel
- Up-down function
- For integration in tabletops
- Available in black or white
- Can be customised



100 mm stroke length

100 mm built-in dimension



Desk Panel DPT

- For integration in tabletops
- Touch technique
- Display for height read-out
- Memory buttons
- Available in black or white



Baselift accessories

Choose mounting brackets for simple fixing of the Baselift and clips for easy fixing of the base front.



INNOVATION



GLOBAL
PRESENCE



LEAN
WORLD-CLASS
PRODUCTION



SILENCE
TECHNOLOGY



O.w
standby power



Plug
&
Play

Perfection in movement

If you are looking for adding movement to your kitchen or counter, a Baselift solution is the easy flexible way to gain the competitive edge and improve your business. LINAK provides a solution where all components are developed to work together ensuring that you get the best result when it comes to sound level and use.



Information about the Baselift system



Information about the DESKLINE product programme



Subscribe to LINAK DESKLINE news

Terms of use

The user is responsible for determining the suitability of LINAK products for a specific application. LINAK takes great care in providing accurate and up-to-date information on its products. However, due to continuous development in order to improve its products, LINAK products are subject to frequent modifications and changes without prior notice. Therefore, LINAK cannot guarantee the correct and actual status of said information on its products. While LINAK uses its best efforts to fulfil orders, LINAK cannot, for the same reasons as mentioned above, guarantee the availability of any particular product. Therefore, LINAK reserves the right to discontinue the sale of any product displayed on its website or listed in its catalogues or other written material drawn up by LINAK.

All sales are subject to the Standard Terms of Sale and Delivery for LINAK. For a copy hereof, please contact LINAK.

LINAK® 
WE IMPROVE YOUR LIFE