



MOVENTO – The sophisticated runner system

Quality steel for your wooden design ideas

MOVENTO is a concealed runner system and the sophisticated solution for your wooden design ideas. The synchronised feather-light glide ensures an ultra-smooth running action. The 4-dimensional adjustment options provide you with a precise gap layout. What's more, the full extension excels in terms of high stability and load bearing capacity. MOVENTO can be used with all 3 motion technologies for soft and effortless opening and closing.



Contents

MOVENTO

04 Application options

08 Product properties

14 Services and assembly devices

16 Blum runner systems

Ordering and planning information

18 760H / 766H – drawer / inner drawer

21 Accessories

22 Attachment of runners

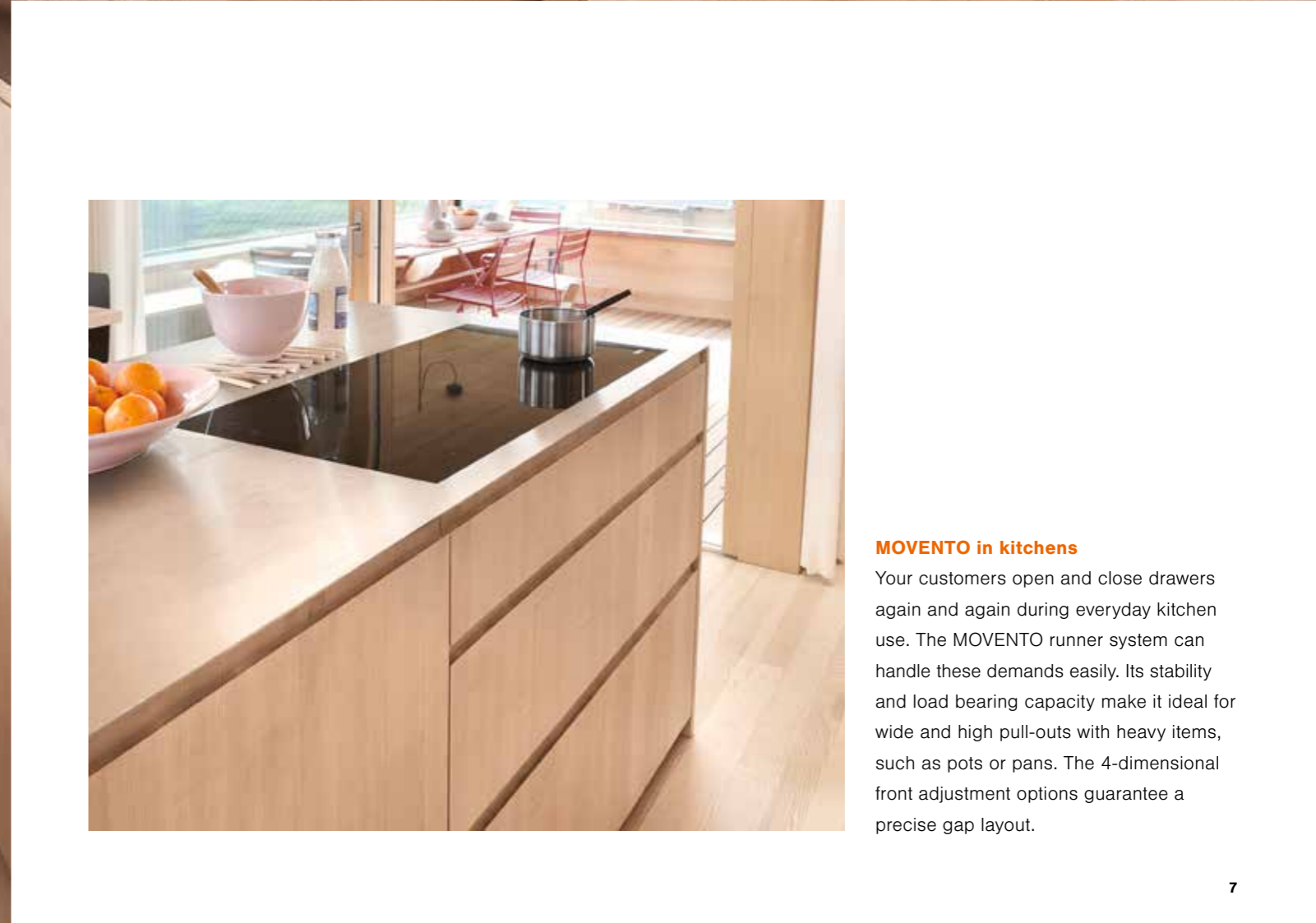
23 TIP-ON BLUMOTION



One runner system for all living areas

The MOVENTO runner system boasts an impressively wide range of applications and is suitable for use in all living areas. Its load bearing capacity of up to 70 kg and high stability make it the preferred solution for extremely wide and deep high fronted pull-outs. It makes real storage wonders out of cabinets in the kitchen, living room and hall.

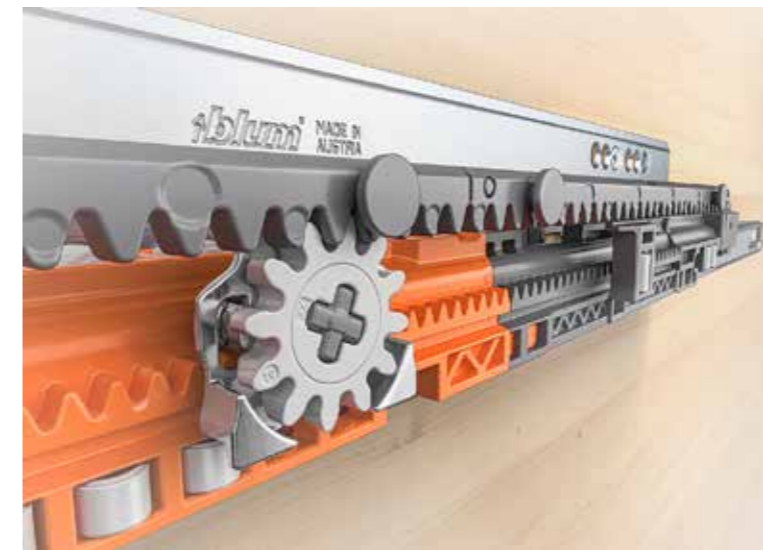




MOVENTO in kitchens

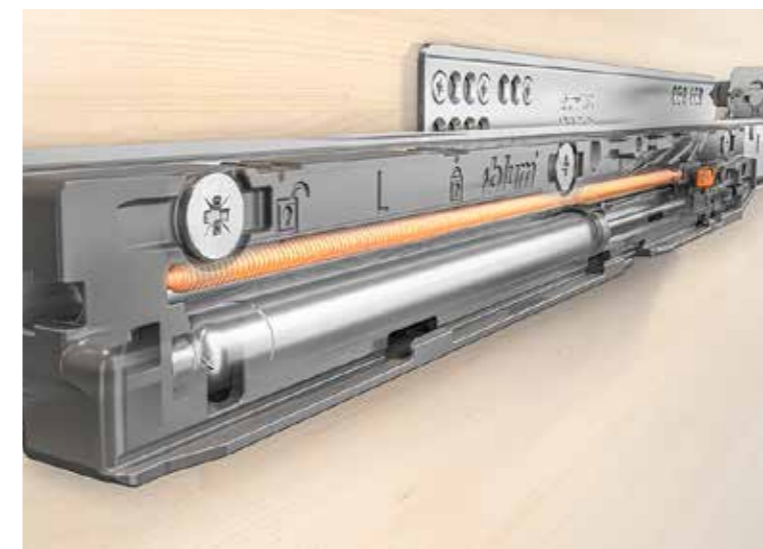
Your customers open and close drawers again and again during everyday kitchen use. The MOVENTO runner system can handle these demands easily. Its stability and load bearing capacity make it ideal for wide and high pull-outs with heavy items, such as pots or pans. The 4-dimensional front adjustment options guarantee a precise gap layout.

MOVENTO Properties



Synchronised feather-light glide for more peace and quiet – everything in perfect harmony

The synchronised feather-light glide is a special feature of the MOVENTO runner system. The runner components run smoothly and silently – for soft and effortless opening and closing. Low-friction cylindrical nylon rollers ensure an optimal weight distribution.



Innovative technology for greater quality of motion – simple, soft and effortless

Your customers will appreciate the enhanced ease of use of MOVENTO; when the drawer is opened, the runner profile immediately transitions to the feather-light glide. And thanks to the BLUMOTION soft-close mechanism, it closes again just as softly and effortlessly – even when heavy pull-outs receive a forceful push.



High stability for a greater load bearing capacity – more than a match for all requirements

MOVENTO boasts excellent stability and a high load bearing capacity. Thanks to its superb sag values, the runner system is ideal for applications near the floor, too. This makes the full extension with 40 kg and 70 kg load bearing classes the first choice for all living areas, even when you are using wide, high and deep pull-outs.



Motion technologies for MOVENTO

MOVENTO can be implemented with 3 motion technologies by Blum – you decide which one best meets your requirements. Adaptive soft-close BLUMOTION ensures that your wooden drawers close softly and effortlessly; they seem to open by themselves with the SERVO-DRIVE electrical opening support system. TIP-ON BLUMOTION combines a mechanical opening support system with a soft-close mechanism.

BLUMOTION

by Blum

SERVO-DRIVE

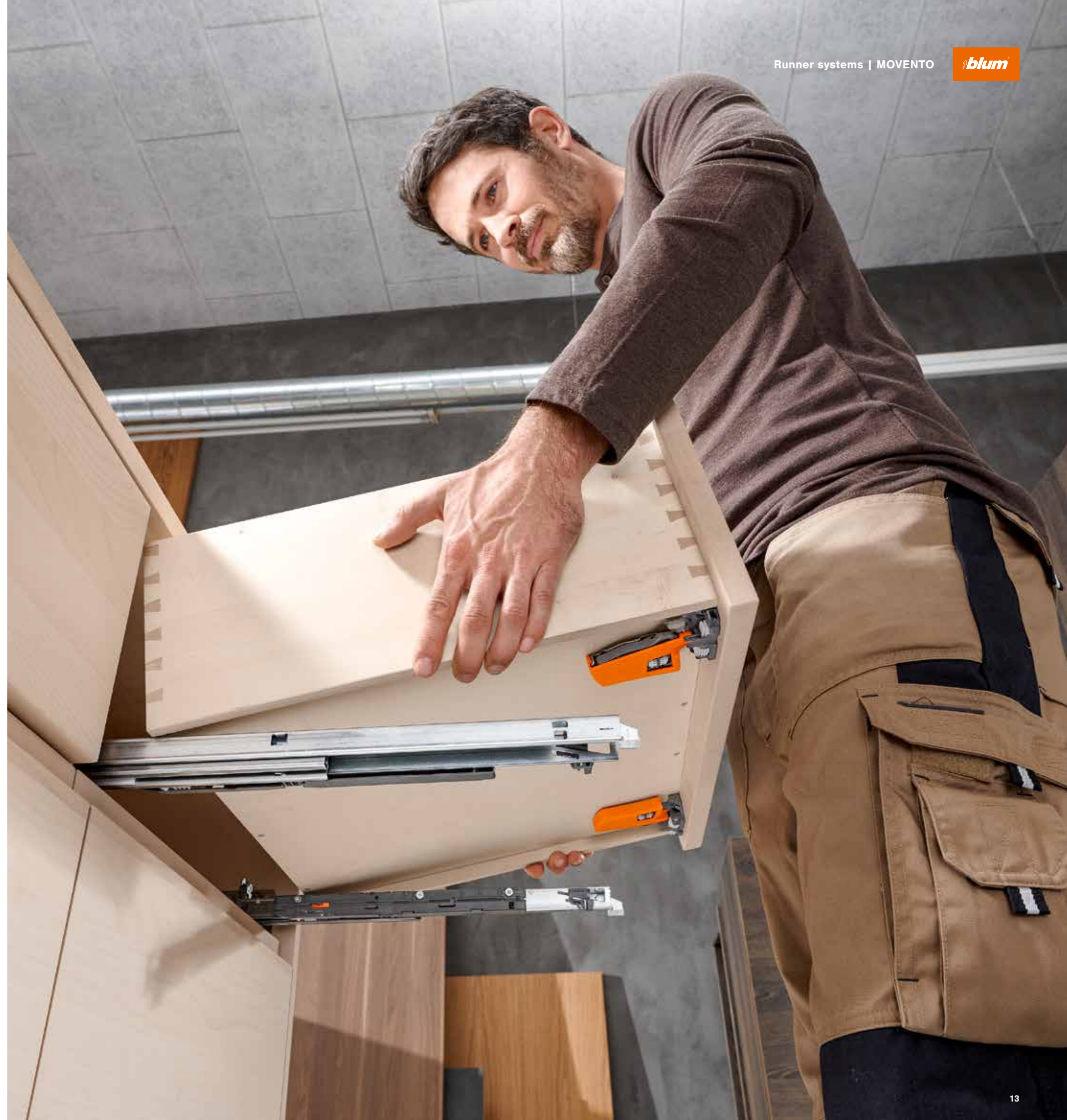
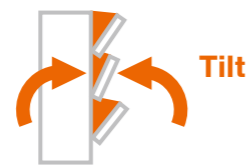
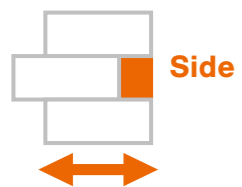
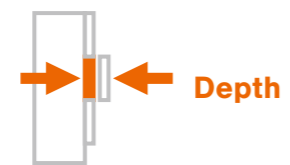
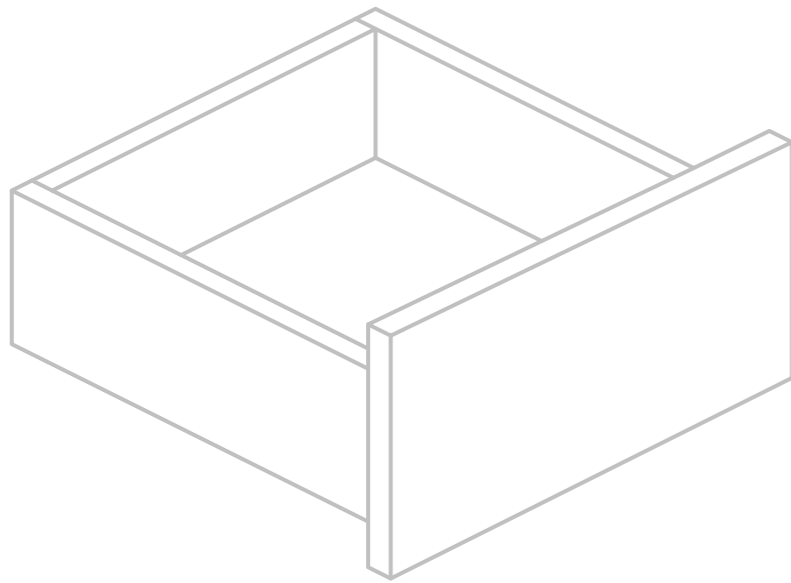
by Blum

**TIP-ON
BLUMOTION**

by Blum

4 dimensions for greater precision

With MOVENTO, you can adjust the height, tilt and depth of the front and also modify it at the sides. And you can benefit from optional depth adjustment on furniture with inset fronts. There is no need to alter the drawer and you get a precise gap layout quickly, easily and without tools.



Support every step of the way

For MOVENTO, we also offer services and assembly devices for all your everyday work. For instance, the MINIPRESS P drilling and insertion machine with EASYSTICK assists with all vertical and horizontal drilling operations. The drilling template for distance bumpers, the universal drilling template, the front gap template for MOVENTO and the rod and marking templates all ensure that assembly is quick, easy and precise. Thanks to the EASY ASSEMBLY app, 4-dimensional adjustment of the front takes no time at all.



EASY ASSEMBLY app
www.blum.com/eaapp



Cabinet Configurator
www.blum.com/cabinetconfig

The right runner system for every requirement

The focus of STANDARD is cost-effectiveness. The exposed runner system is a single extension with just a few components. The versatile TANDEM runner system impresses with a limited range: MOVENTO is a concealed runner system and the sophisticated solution to meet exacting requirements. It boasts a synchronised feather-light glide, 4-dimensional adjustment and is fully compatible with three Blum motion technologies.

MOVENTO

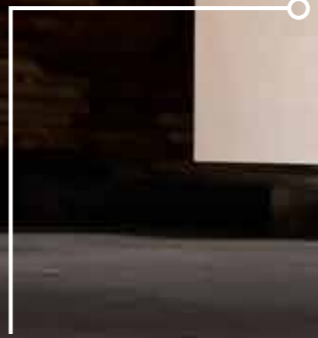


TANDEM



STANDARD

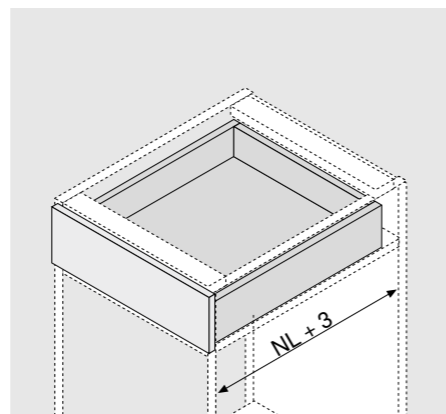
BLUMOTION for STANDARD runners is not available in Australia.



760H/766H – drawer/inner drawer

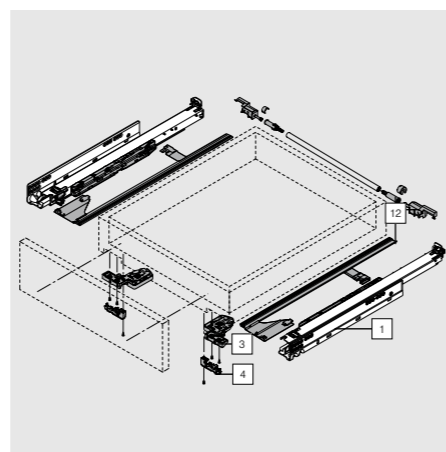


- Concealed full extension
- Includes integrated, switchable BLUMOTION S for soft and effortless closing, and can be combined with SERVO-DRIVE or TIP-ON BLUMOTION
- Synchronised feather-light glide
- BLUMATIC self-closing feature
- Tool-free side, height and tilt adjustment
- Optional tool-free depth adjustment
- Built-in width and depth tolerance compensation



Ordering information

1	Runners left/right																			
	NL (mm)	BLUMOTION S*																		
		<table border="1"> <thead> <tr> <th>40 kg</th> <th>70 kg</th> </tr> </thead> <tbody> <tr> <td style="background-color: #f4a460;">760H2700S</td> <td></td> </tr> <tr> <td style="background-color: #f4a460;">760H3000S</td> <td></td> </tr> <tr> <td style="background-color: #f4a460;">760H3500S</td> <td></td> </tr> <tr> <td style="background-color: #f4a460;">760H4000S</td> <td></td> </tr> <tr> <td style="background-color: #f4a460;">760H4500S</td> <td style="background-color: #f4a460;">766H4500S</td> </tr> <tr> <td style="background-color: #f4a460;">760H5000S</td> <td style="background-color: #f4a460;">766H5000S</td> </tr> <tr> <td style="background-color: #f4a460;">760H5500S</td> <td style="background-color: #f4a460;">766H5500S</td> </tr> <tr> <td style="background-color: #f4a460;">760H6000S</td> <td style="background-color: #f4a460;">766H6000S</td> </tr> </tbody> </table>	40 kg	70 kg	760H2700S		760H3000S		760H3500S		760H4000S		760H4500S	766H4500S	760H5000S	766H5000S	760H5500S	766H5500S	760H6000S	766H6000S
	40 kg	70 kg																		
	760H2700S																			
	760H3000S																			
	760H3500S																			
	760H4000S																			
	760H4500S	766H4500S																		
	760H5000S	766H5000S																		
760H5500S	766H5500S																			
760H6000S	766H6000S																			
*Suitable for SERVO-DRIVE and TIP-ON BLUMOTION																				



2	Locking device left/right	
	Material	Nylon/steel
	Colour	Orange
	Left/right must be ordered separately	T51.7601

4	Depth adjustment left/right (optional)	
	Material	Nylon
	Colour	RAL 7037 dust grey
	Left/right must be ordered separately	298.7601
Only for inset applications for MOVENTO with BLUMOTION. Integrated SERVO-DRIVE bumper.		

NL Nominal length

760H/766H – drawer/inner drawer

Accessories

12	Side stabiliser set	
	For KB 1400 mm for cutting to size	
	For NL up to (mm)	
	400	ZS7M400MU
	600	ZS7M600MU
Shaft cutting dimensions: Internal cabinet width (LW) – 315 mm		
Gear rack cutting: NL + 10 mm		

NL Nominal length

760H/766H – drawer/inner drawer

Planning

Space requirements in the cabinet	Drawer/inner drawer	Drawer	Inner drawer with BLUMOTION S
<p>* + 1 mm for assembly of the runners prior to cabinet assembly</p>	<p>** Limited side adjustment for a drawer side panel thickness of 16 mm, but with full tolerance utilisation of the internal drawer width</p>	<p>* Additional +12 mm with side stabiliser</p>	<p>* Additional + 3 mm with depth adjustment</p>

Drawer assembly

Use drilling template T65.1000.02

* TIP-ON BLUMOTION 125 mm

ISKL Inner drawer length
 LW Internal cabinet width
 NL Nominal length
 SKL Drawer depth
 SKW Internal drawer width
 X Front thickness

Accessories

Side stabiliser set	
	For KB 1400 mm for cutting to size
	For NL up to (mm)
	400 ZS7M400MU
600 ZS7M600MU	
Shaft cutting dimensions: Internal cabinet width (LW) – 315 mm	
Gear rack cutting: NL + 10 mm	

Pull-out shelf lock (set)	
	Material Nylon
	Colour Orion grey matt
Consisting of:	
2xlocking unit*	
2xlatching element	
1x installation instructions	
295H5700	
Fixing with chipboard screws Ø 3.5 x 15 mm, part no. 609.1500 or system screws, part no. 661.1450.HG	
*Fixing only possible with chipboard screws	

Pull-out shelf lock – synchronisation shaft	
	Material Aluminium
	Colour Natural
	For cutting to size ZST.1160W
	Suitable for cabinet width up to KB 1200 mm
	Cutting dimensions: LW – 87 ± 1 mm
Pull-out shelf lock can be released with one hand thanks to synchronisation	

KB Cabinet width
 LW Internal cabinet width
 NL Nominal length

You can find further technical information on the Pull-out shelf lock in the Pull-out shelf lock brochure.

Attachment of runners – BLUMOTION S

Runner 760H – 40 kg

NL (mm)

NL 270

NL 300

NL 350

NL 400–450

NL 500

NL 550

A Ø 3.5 x 15

B Ø 6 x 14.5

A Chipboard screw Ø 3.5 x 15 mm part no. 609.1500

B System screw Ø 6 x 14.5 mm part no. 661.1450.HG

*Can be replaced with chipboard screw Ø 4 x 15 mm

**Rearmost fixing position ensures optimal stability.

Runner 766H – 70 kg

NL (mm)

NL 450

NL 500

NL 550

NL 600

A Ø 3.5 x 15

B Ø 6 x 14.5

A Chipboard screw Ø 3.5 x 15 mm part no. 609.1500

B System screw Ø 6 x 14.5 mm part no. 661.1450.HG

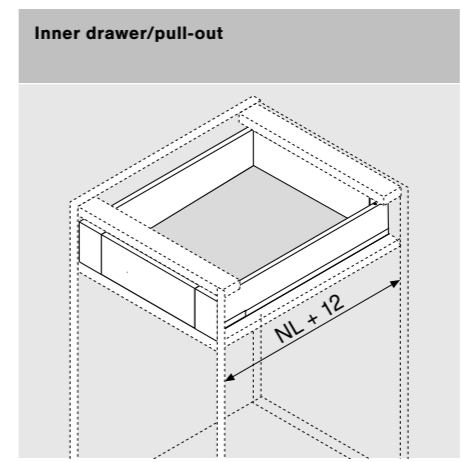
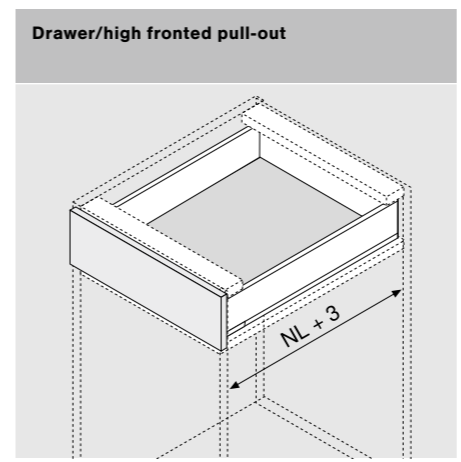
*Can be replaced with chipboard screw Ø 4 x 15 mm

**Rearmost fixing position ensures optimal stability.

TIP-ON BLUMOTION



- TIP-ON mechanical opening support system combined with BLUMOTION for soft and effortless closing
- Dynamic carrying capacity of 40 kg and 70 kg
- Synchronised feather-light glide
- Small minimum front gap of just 2.5 mm
- Extensive trigger range
- Synchronisation with internal cabinet width of 314 mm or more
- 4-dimensional front adjustment option



TIP-ON BLUMOTION synchronisation

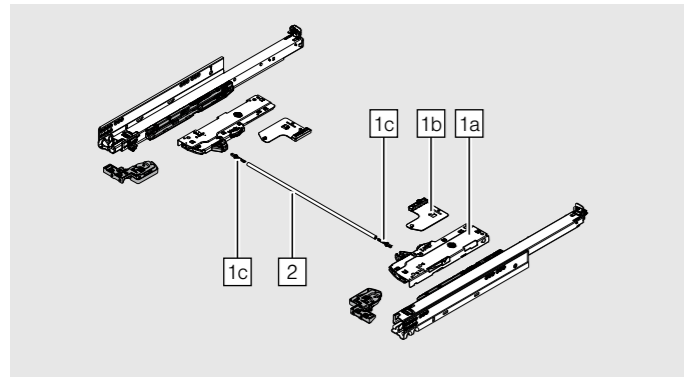
Example for 760H, nominal length NL 500 mm, four sided drawer, with and without synchronisation

With synchronisation (orange)

Without synchronisation (yellow)

An extensive trigger range is achieved even with a small minimum front gap of 2.5 mm. To achieve optimal function and to extend the trigger range, we recommend using a synchronisation linkage for all applications.

TIP-ON BLUMOTION



Make the right calculations for your TIP-ON BLUMOTION unit using the product configurator: www.blum.com/configurator

1 TIP-ON BLUMOTION set			
Consisting of:			
1a	2 x	TIP-ON BLUMOTION unit	
1b	2 x	TIP-ON BLUMOTION latch	
1c	2 x	synchronisation adapter	
NL (mm)	Unit	Weight (kg)*	
270-320	S0	≤ 10	T60L7040
	S1	> 10-20	T60L7140
350-750	L1**	≤ 20	T60L7340
	L3**	15-40	T60L7540
	L5***	35-70	T60L7570

Accessories

TIP-ON BLUMOTION synchronisation adapter			
	Symmetrical		
	When used with 2, two pieces required each time		
	LW ≥ 314 mm		T60.000D

TIP-ON BLUMOTION front gap template			
	For adjusting the front gap to 2.5 mm on both sides		
			65.5631
	Use of the front gap template is recommended!		

2 TIP-ON BLUMOTION synchronisation linkage			
	Possible for LW ≥ 314 mm		
	Suitable for LW up to 1370 mm		
	Shaft cutting: LW - 267 mm		T60.1125W

To optimise the function and trigger range, we generally recommend using synchronisation.

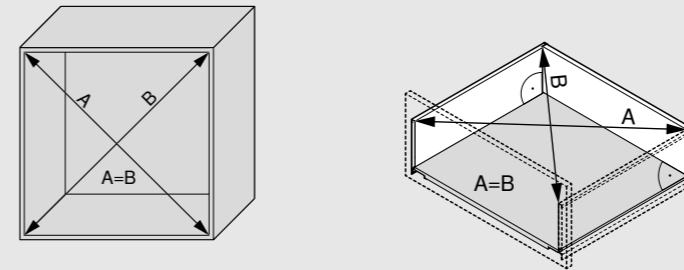
* Recommended weight ranges (total weight of pull-out) for optimum opening and closing function
 ** Can only be combined with 40 kg runner (760H)
 *** Can only be combined with 70 kg runner (766H)

LW Internal cabinet width
 NL Nominal length

TIP-ON BLUMOTION

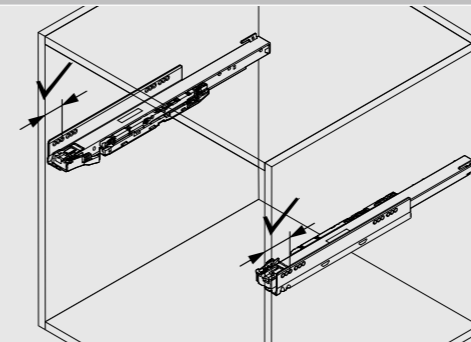
Planning

Furniture construction



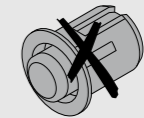
Precise manufacturing is required to ensure a front gap of at least 2.5 mm. This means that the construction must adhere to the dimensions and angles planned.

Depth position



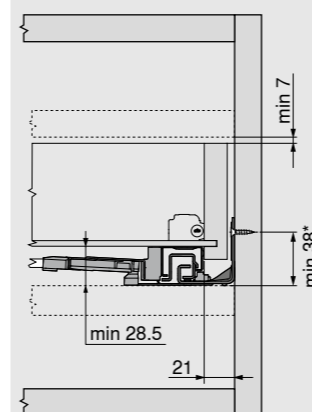
Ensure that both runners are positioned at the correct depth.

Front assembly



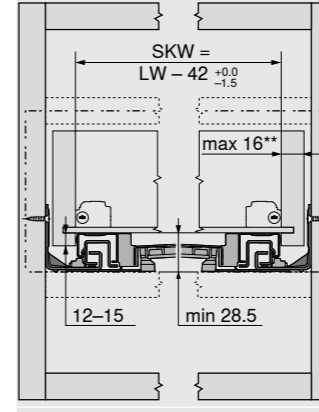
Bumpers must not be installed for TIP-ON BLUMOTION!

Space requirements in the cabinet



* + 1 mm for assembly of the runners prior to cabinet assembly

Drawer/inner drawer

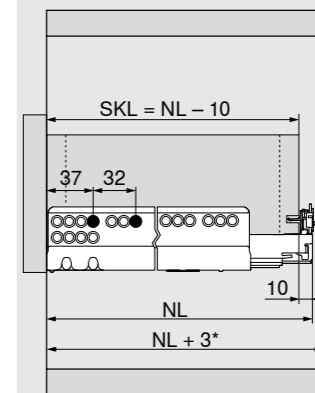


** Limited side adjustment for a drawer side panel thickness of 16 mm, but with full tolerance utilisation of the internal drawer width

ISKL Inner drawer length
 LW Internal cabinet width

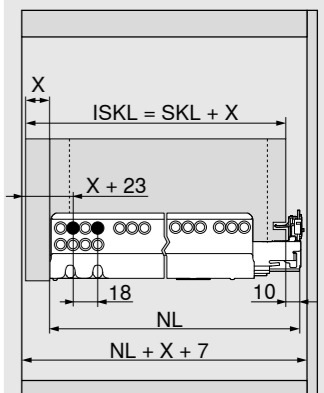
NL Nominal length
 SKL Drawer depth







Drawer



SKW Internal drawer width
 X Front thickness

Inner drawer



-  Houzz **PRO**:
Blum Australia
-  Instagram:
@blumaustralia, #blumaustralia
-  Facebook:
facebook.com/blumaustralia
-  Android App on Google Play:
Easy Assembly App
-  Available on the App Store:
Easy Assembly App
-  Tag Us:
#blumaustralia

**Blum Showrooms
Sydney (Head Office)**

10 Blackbird Close
Len Waters Estate NSW 2170
Ph: 02 9612 5400

Adelaide

179 Railway Terrace
Mile End SA 5031
Ph: 08 8118 6070

Brisbane

6/39-45 Compton Road
Underwood QLD 4119
Ph: 07 3135 9490

Melbourne

245 Ferntree Gully Road
Mount Waverley VIC 3149
Ph: 03 9982 1720

Perth

3/425 Scarborough Beach Road
Osborne Park WA 6017
Ph: 08 6467 0110

Blum Australia Pty Ltd
PO BOX 1615
Green Valley, NSW, 2168
Australia
Toll Free: 1800 179 186
E-mail: info.au@blum.com
blum.com

