

Stainless Steel Mesh Security System

PRODUCT BROCHURE 5.0





ABOUT SCREENGUARD™

The ScreenGuard™ Stainless Steel Security Mesh System for windows and doors is designed to protect your family and your view.

No longer do you need to look at unsightly grills, bars or other obstructions that spoil your view. Enjoy the finest in security screens with ScreenGuard™ 316 stainless steel mesh protection.

ScreenGuard™ security screens and doors are made with high tensile 316 marine grade stainless steel mesh that provides strength and quality. While ScreenGuard's unique aluminium frames are tempered to T6, using state-of-the-art equipment.

The anti-corrosion stainless steel wire mesh is coated with a specialised UV protective coating that provides a clear long lasting finish. ScreenGuard's patented security system, meets and exceeds Australian standard AS 5039-2008.

The ScreenGuard™ range consists of:

- Hinged Door
- Sliding Door
- Windows
- Multi-fold Door*
- Fixed Screening
- Fire Escape Window System
- Enclosure for Patios

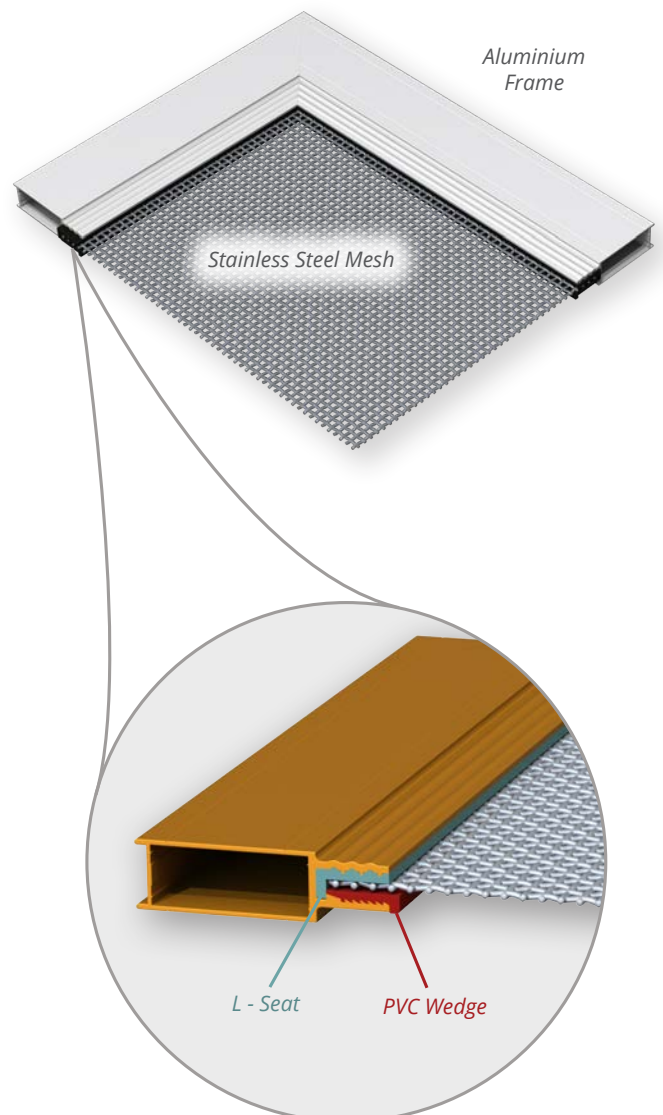
**Not tested to AS5039*



FEATURES AND BENEFITS

- Corrosion resistant
- Australian designed and engineered
- Resistant against mesh removal
- Easy to fabricate and install
- Taut mesh
- Made from high tensile 316 marine grade stainless steel mesh
- Tested to Australian Bushfire rating BAL 40
- Tested to Australian Standards AS 5039-2008
- Tested to Australian Standards Fire Attenuation AS1530.4-2014 Appendix B7.

ScreenGuard's unique rib design provides additional strength and resistance against intruders.



SCREENGUARD™ PRODUCT TESTING

ScreenGuard's patented security screen products have been tested and meet Australian Standard AS5039/5041. These tests are designed to simulate an attack using force to gain entry into a home.



DYNAMIC IMPACT TEST

Australian Standard AS5039/5041-2008 Security Screen Doors and Security Windows Grilles.

ScreenGuard's patented two-piece wedge and seat design is simple yet strong. It has been tested beyond the Australian standard by resisting all five impacts well beyond the 100 joules required. Exceeding the standard requirements ensures ScreenGuard™ is fit for purpose.

DYNAMIC IMPACT TEST	TEST NO.	PASS
Hinged Security Screen Door	AZT0261.19	Y
Sliding Security Screen Door	AZT0063.12	Y
Access Fire Escape	AZT0290.14	Y



ANTI-JEMMY TEST

Australian Standard AS5039/5041-2008 Security Screen Doors and Security Windows Grilles.

ScreenGuard™ successfully passed jemmy attack testing simulating an intruder attacking with items such as screwdrivers and a large amount of force. Testing has been repeated for a range of major hardware products sold by Darley Aluminium to give customers a range of locking options.

ANTI-JEMMY TEST	TEST NO.	PASS
Hinged Security Screen Door	AZT0261.19	Y
Sliding Security Screen Door	AZT0063.12	Y
Security Window Grille	AZT0290.14	Y



KNIFE SHEAR TEST

Australian Standard AS5039-2008 Security Screen Doors and Security Windows Grilles.

Another important successful feature of ScreenGuard™ is its resistance to knife attack by passing the Australian standard requirements simulating an intruder trying to gain entry using a utility knife.

KNIFE SHEAR TEST	TEST NO.	PASS
ScreenGuard Mesh	AZT0451.17	Y



CHILD FALL PREVENTION

Protection of openable windows.

With appropriate installation, ScreenGuard™ has proven to be a suitable option to help prevent children from falling from high windows.

OUTWARD FORCE TEST	PASS
Resist 250N Outward Force	Y



BUSHFIRE RATED

Australian Standard AS3959-2009 Construction of buildings in bushfire-prone areas.

ScreenGuard™ is bushfire-rated and protects your property from floating embers and reduces heat intensity of radiant heat flux.

BUSHFIRE TEST	PASS
BAL40 rating for Screenguard	Y



FIRE ATTENUATION

Australian Standard AS1530.4-2014 Appendix B7.

Assists in protecting fire and radiant heat spread between buildings in the event of a fire.

FIRE ATTENUATION TEST	TEST NO.	PASS
Achieves a fire attenuation rating of up to 46% at 40kW/m2 incident energy	2519600.1	Y

SCREENGUARD ACHIEVES A MARKET LEADING FIRE ATTENUATION TIME OF 3 HOURS AND 10 MINUTES.

All testing is carried out by a NATA registered independent testing laboratory according to strict Australian standards.



WINDOWS

ScreenGuard™ is available in a number of window screen options including as a fixed window screen, double hung window screen, sliding window screen and even louvre windows.

Fixed window screens are designed to be fixed in place and cannot be moved, these screens are typically installed in the flyscreen track of the window.



Another popular option is ScreenGuard™ **sliding windows**. Available as single or multiple panel sliding windows, they can also be custom-fitted to a variety of window shapes and sizes.



Seamlessly connect your indoor space with the outdoors by adding a ScreenGuard™ **servery window** and creating an alfresco entertainment area. The addition of the servery window will turn a blank wall into functional bench space, allowing in more light and ventilation.



DOORS

One of the most popular options in security doors are the ScreenGuard™ hinged and sliding doors.

All ScreenGuard™ **hinged and sliding doors** have been tested according to Australian Standards AS5039. ScreenGuard™ offers the ultimate in security, without compromising on visibility.



The ScreenGuard™ **Screen-Fold** is a popular option for outdoor entertaining and can extend your living space.

It is made from 316 marine grade stainless steel and can be fabricated in up to 6 panels. It can also be custom-fitted to the widest of indoor or outdoor spaces and provides an unobstructed view of the outdoors.

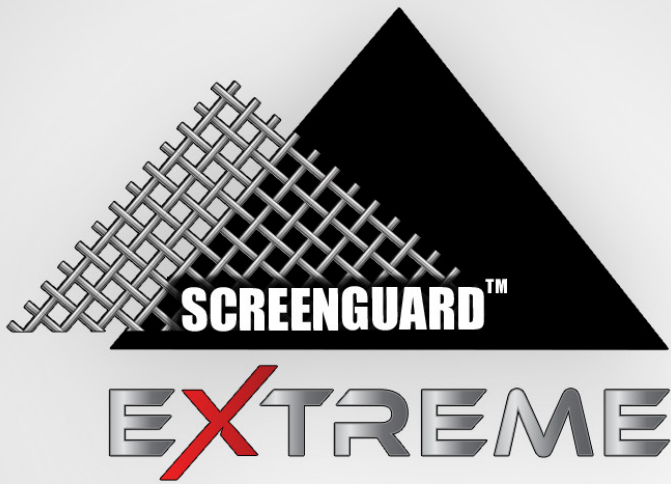


PATIO ENCLOSURES

ScreenGuard™ is also available as a **patio enclosure** – a popular option for lovers of the great outdoors. ScreenGuard™ can be fabricated as a patio enclosure or an enclosed outdoor area, that not only provides security but also keeps out insects and other pests.

With 316 marine grade mesh technology, this patented system provides ventilation and a natural breeze, as well as uninterrupted views.





*Take your security to the next level
with the ScreenGuard Extreme
stainless steel mesh security system*

INTRODUCING THE NEW SCREENGUARD EXTREME

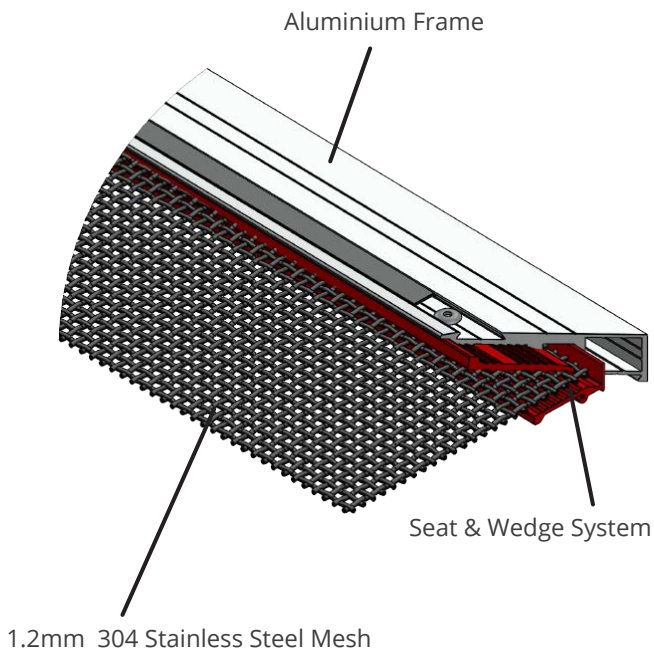
Keep your family and home safe with the ScreenGuard Extreme™ stainless steel mesh system. Specially designed to provide protection against intruder attacks and extreme weather including cyclone, ScreenGuard Extreme is tested to Australian Standard AS5039.

Made from high tensile 304 stainless steel mesh and high quality aluminium frame, ScreenGuard™ is manufactured using our unique two part wedge and seat technology, making it stronger than other security doors on the market.

The ScreenGuard Extreme™ system is custom-made and can integrate seamlessly into the style & aesthetic of your home while enhancing your homes security.



BENEFITS OF THE SCREENGUARD EXTREME SYSTEM



- ✓ Tested to AS1170.2 & AS5039
- ✓ Corrosion Resistant
- ✓ Compatible with a range of hardware
- ✓ Backed by a 10 year warranty

TECHNICAL SPECIFICATIONS

APPLICATIONS

ScreenGuard Extreme™ is available in a variety of applications including as a hinged door, sliding door, window screen, patio enclosure.

MESH TYPE

Made with high quality 304 stainless steel mesh with a mesh strand size of 1.2mm.

WARRANTY

The ScreenGuard Extreme™ security system is backed by a 10 year warranty.

AUSTRALIAN STANDARDS

ScreenGuard extreme has been tested to and exceeds Australian Standards AS5039 and AS1170.2

COLOUR

The aluminium frame used in the ScreenGuard Extreme™ system can be powdercoated in a variety of colours to match the style and aesthetic of your home.



SCAN THE QR CODE



ACCESS[®]

Awning Casement Cleaning Escape Servery Security

ACCESS[®] FIRE ESCAPE SYSTEM



ACCESS[®] Fire Escape Systems are integrated into the ScreenGuard[™] system for a quick and easy escape in the event of a house fire or any other emergency. A simple and quick latching system enables you to only open the window from the inside.



ACCESS[®] features include:

- A unique built-in locking action
- Stays open while you escape
- No need for extra locks
- Stainless Steel 4-bar hinge system
- Anti-Jemmy internal frame system



FIRE ATTENUATION TESTING

ScreenGuard™ has undergone stringent bushfire testing to ensure quality performance in the event of a bushfire.

- BAL 40 Rating
- 40.2 kW/m² Heat Flux Tested
- 46% Fire Attenuation
- Floating Ember Safe
- Universal Installation Into Any System

ScreenGuard™ screens use specially designed fire retardant L seats and co-extruded wedges. The stainless steel mesh used in ScreenGuard complies with bushfire ember resistance regulations.

Fire attenuation is the reduction of radiant heat and spread of flames between buildings, in the unfortunate event of a fire.

To protect properties from this spread of fire and radiant heat, the Building Code of Australia (BCA) requires fire attenuation screening be installed in any openings, that are within three metres of a fire source or within six metres of another building on the same property.

A fire attenuation test was recently performed on our ScreenGuard Security system by Warringtonfire.

Our ScreenGuard security screens achieved a fire attenuation rating of up to 46% at 40kW/m²

incident energy for a period of 3 hours and 10 minutes.

ScreenGuard security screens are rated for fire attenuation and provide protection against the spread of fire via flames & radiant heat, between buildings.



SCREENGUARD
RATED FOR FIRE ATTENUATION.



10 YEAR WARRANTY

ScreenGuard™ product warranty is for 10 years from the date of product installation.

This warranty is to the original purchaser providing always that the product care and maintenance recommendations have been complied with during that period. ScreenGuard™ warrants its product to be free from defects in materials and manufacturing when fabricated in accordance with the ScreenGuard™ fabricator instructions. This warranty does not apply to damaged caused by abuse, fire, accident, acts of God or alteration to the original product in any part.

CARE AND MAINTENANCE

Your ScreenGuard™ security screen system will require regular maintenance to remove contaminants caused by pollution, industry, salt and climatic conditions.

The preferred method for cleaning your ScreenGuard™ security system is to use *PowaWash* biodegradable detergent – please see cleaning instructions below. Alternatively, if no *PowaWash* is available, it is recommended to use a soft bristled brush with warm water and a neutral PH detergent. Abrasive cleaners and harsh detergents are not recommended as these can scratch or damage the surface area. The following table indicates the suggested frequency of maintenance:

ENVIRONMENT	DEFINITION	FREQUENCY
Mild	15km from coastal / rural / suburban areas	Every 6 months
Moderate	10km from coastal / high traffic areas	Every 3 months
Severe / Coastal	5km from coastal / marine / heavy industrial areas	Every 2 weeks

SCREENGUARD™ *POWAWASH*

Regular maintenance with ScreenGuard™ *PowaWash* is required to comply with your ScreenGuard™ 10 year warranty.

Mix 3 caps (25ml) per Litre of water. It is recommended to use a soft bristled brush or non-abrasive cloth, then rinse with water.

ScreenGuard™ *Powawash* is:

- non-toxic
- biodegradable
- user-friendly
- environmentally friendly

Available in 100ml and 200ml bottles.

100ml	Code: 1966-SGL
200ml	Code: 1962-SGL







SYDNEY HEAD OFFICE

8 Tyrone Place, Erskine Park NSW 2759
Tel: (02) 8887 2888
Fax: (02) 9834 3244
Email: sales@darleyaluminium.com.au

MELBOURNE

10 Bridge Road, Keysborough VIC 3173
Tel: (03) 9238 3888
Fax: (03) 9768 7288
Email: salesvic@darleyaluminium.com.au

BRISBANE

29 Access Avenue, Yatala QLD 4207
Tel: (07) 3287 1888
Fax: (07) 3287 2088
Email: salesqld@darleyaluminium.com.au

PERTH

36 Armstrong Road, Hope Valley WA 6165
Tel: (08) 9437 2999
Fax: (08) 9437 1024
Email: saleswa@darleyaluminium.com.au

Contact your local fabricator:



AUSTRALIAN
**GLASS &
WINDOW**
ASSOCIATION
MEMBER