

## Premium Linear Range Features

- GreenSmart™ 2 system
- Beautiful crushed glass floor
- Twin 90 CFM blowers
- Huge glass viewing area
- Heating from 150 up to 260 Sqm
- Accent lights under the glass floor
- Heavy steel construction that includes a heavy-duty 10 gauge welded glass frame
- Protective safety screen over the glass
- Six adjustable levels for fan, lights and flame



**Lopi**<sup>™</sup>

Linear Gas Fireplaces

FEATURING  
**GREEN2SMART.**



# 3615 HO GS2

Direct Vent Gas Fireplace



**GREEN 2 SMART.**

Lopi 3615 HO GS2 Shown with Bronze Glass, Enamel Fireback Liner & Driftwood Twig and Stone Fyre-Art™

The Lopi 3615 HO GS2 is the smallest in the line-up of our linear fireplaces. Featuring a glass viewing area of over 850mm in width, with high dancing flames and under lighting that can be used whether the fire is on or off.

The smaller dimensions of the 3615 make it suitable for smaller walls or room proportions. The 3615 has a gas input of 35Mj/hr and ceramic glass for increased radiant heat meaning this linear fireplace is not just for looks.

**'Add the optional Power Heat Duct to this fireplace to extract heat up to 6 metres away.'**  
**Ask your Lopi specialist for more information.'**

**Media & finishing options on pages 6, 7 & 8.**

### Lopi 3615 HO GS2 Specifications

Mj Input	Heating Capacity	Max kW Output	Media Type
34.8 Mj High 19.3 Mj Low NG 18.5 Mj Low LPG	Up to 158sqm*	7.2kW	Glass / Rock Embers Driftwood & Traditional Log Driftwood Twig & Stone Tumbled Stone
Burner Type	Accent Lighting	Glass Size	Installation Type
Diamond-Fyre™ GreenSmart™ 2	Included	855mm wide x 315mm high	Zero Clearance or Masonry Installation LPG Conversion Incl

\*Heating capacity varies according to the size of closed off area, ceiling height, floor plan, insulation and outside air temperature





# 4415 HO GS2

Direct Vent Gas Fireplace



**GREEN 2 SMART™**

Lopi 4415 HO GS2 Shown with Platinum Glass Enamel Fireback Liner & Gallery Face

The 4415 HO GS2 gas fireplace brings you the very best in home heating and style with its sleek, linear appearance and impressively high heat output.

With a long row of dancing flames and built-in fans, the 4415 is not only an excellent heater but a beautiful focal point in your home. Turn on the under-lighting that shines through the translucent glass floor and you've got magic whether the fire is on or off.

This sophisticated fireplace can accompany any architectural style with a selection of fireback liner options along with four media types.

***'Add the optional Power Heat Duct to this fireplace to extract heat up to 6 metres away.'***  
Ask your Lopi specialist for more information.'

**Media & finishing options on pages 6, 7 & 8.**

### Lopi 4415 HO GS2 Specifications

Mj Input	Heating Capacity	Max kW Output	Media Type
44 Mj High 22 Mj Low NG / LPG	Up to 195sqm*	10.58kW	Glass / Rock Embers Driftwood & Traditional Log Driftwood Twig & Stone Tumbled Stone
Burner Type	Accent Lighting	Glass Size	Installation Type
Diamond-Fyre™ GreenSmart™ 2	Included	1066mm wide x 315mm high	Zero Clearance or Masonry Installation LPG Conversion Incl

\*Heating capacity varies according to the size of closed off area, ceiling height, floor plan, insulation and outside air temperature



# 4415ST HO GS2

Direct Vent Gas Fireplace



Lopi 4415ST HO GS2 Shown with Black Glass, Traditional Log Media  
Black Painted Fireback Liner & 10mm Finishing Trim

The **Lopi 4415 ST HO GS2** is the double sided linear fireplace with a difference.

This striking double sided fireplace features ceramic glass for increased radiant heat, dual blowers that can be directed equally to both sides of the fireplace or adjusted to blow out of just one side for design flexibility.\*\*

The 4415 ST HO GS2 has a huge viewing area and a heating capacity of up to 185sqm\* so this fireplace will not only look good but work as a heating solution for large or multiple connected rooms.

**Media & finishing options  
on pages 6, 7 & 8.**

Note: Power Heat Duct not available for this model

\*\* Set-up of blower direction is during installation only.

### Lopi 4415 ST HO GS2 Specifications

Mj Input	Heating Capacity	Max kW Output	Media Type
44 Mj High 22 Mj Low NG / LPG	Up to 185sqm*	9.38kW	Glass / Rock Embers Driftwood & Traditional Log Driftwood Twig & Stone Tumbled Stone
Burner Type	Accent Lighting	Glass Size	Installation Type
Diamond-Fyre™ GreenSmart™ 2	Included	1066mm wide x 315mm high x 2	Zero Clearance or Masonry Installation LPG Conversion Incl

\*Heating capacity varies according to the size of closed off area, ceiling height, floor plan, insulation and outside air temperature





# 6015 HO GS2

Direct Vent Gas Fireplace



Lopi 6015 HO GS2 Shown with Platinum Glass, Driftwood Media Enamel Fireback Liner & 10mm Trim

The Lopi 6015 HO GS2 is the largest in the Lopi linear range of gas fireplaces. The 6015 features almost 1.5 metres of flame, beauty and heat!

With underlighting, glass and optional media, this fireplace will certainly be a focal point in your home as well as providing heating of up to 260Sqm\*

The 6015 can be turned down by over 50% to create a more subtle heat whilst maintaining an impressive flame.

**'Add the optional Power Heat Duct to this fireplace to extract heat up to 6 metres away.'**  
Ask your Lopi specialist for more information.'

**Media & finishing options on pages 6, 7 & 8.**

### Lopi 6015 HO GS2 Specifications

Mj Input	Heating Capacity	Max kW Output	Media Type
59.1 Mj High	Up to 260sqm*	14.19kW	Glass / Rock Embers Driftwood & Traditional Log Driftwood Twig & Stone Tumbled Stone
31.9 Mj Low NG			
31.3 Mj Low LPG			
Burner Type	Accent Lighting	Glass Size	Installation Type
Diamond-Fyre™ GreenSmart™ 2	Included	1465mm wide x 315mm high	Zero Clearance or Masonry Installation LPG Conversion Incl

\*Heating capacity varies according to the size of closed off area, ceiling height, floor plan, insulation and outside air temperature

## Media Options

Your Lopi linear fireplace ships standard with your choice of glass or rock embers for the floor of the fireplace which allows the under-lighting to shine through. There is also optional media choices in addition listed below.

### Rock Embers & Glass Colours

(One Option Required)



Rock Embers



Black Reflective Glass



Platinum Reflective Glass



Bronze Reflective Glass



Cobalt Reflective Glass

3615 HO GS2



Driftwood Log Fyre-Art™



Traditional Log



Driftwood Twig & Stone Fyre-Art™



Tumbled Stone

4415 HO GS2



Driftwood Log Fyre-Art™



Traditional Log



Driftwood Twig & Stone Fyre-Art™



Tumbled Stone



# Media Options

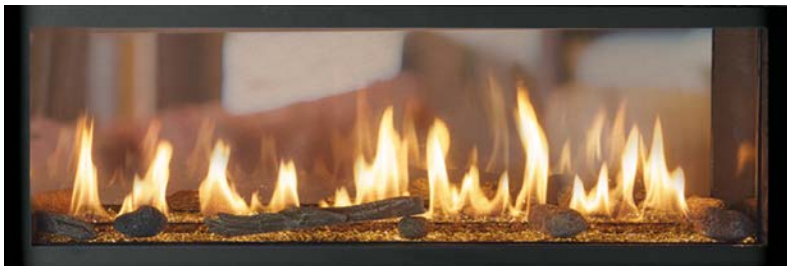
4415ST HO GS2



Driftwood Log Fyre-Art™



Traditional Log



Driftwood Twig & Stone Fyre-Art™



Tumbled Stone

6015 HO GS2



Driftwood Log Fyre-Art™



Traditional Log



Driftwood Twig & Stone Fyre-Art™



Tumbled Stone

## Finishing Options

### Fireback Liners (Required)

Fireback liners are the rear and side panels within the firebox itself and can enhance the fireplace dramatically. If no liners are selected the black painted finish (non-reflective finish) will automatically be supplied.

The black glass liner reflects the flame and lights that seemingly doubles the amount of flames seen within the fire.

The silver liner option is a more subtle less reflective contemporary finish. One further option is the LedgeStone which is a stacked stone appearance that creates shadows around the varying stone effects from the underlighting and flame.



Black Painted



LedgeStone



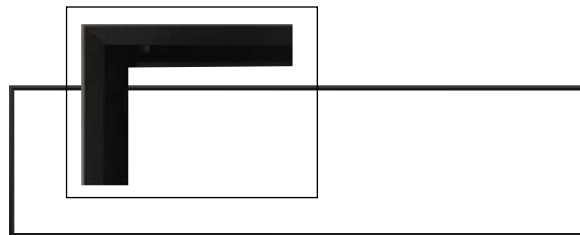
Black Glass



Silver

### Finishing Trims & Faces

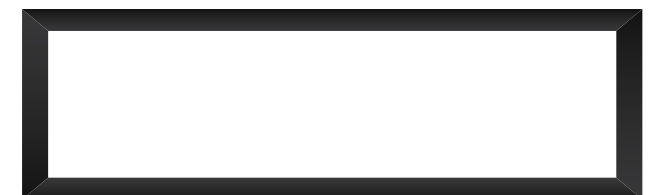
The linear range can be finished with a non-combustible tile/stone on the wall as seen on the image to the right. Alternatively for a painted wall finish the entire wall can be sheeted with a non-combustible 9mm - 13mm wall lining (cement sheet or alternative) and then finished with a 50mm or 10mm black finishing trim or the Gallery Face.



10mm Black finishing trim



Gallery Face - Black

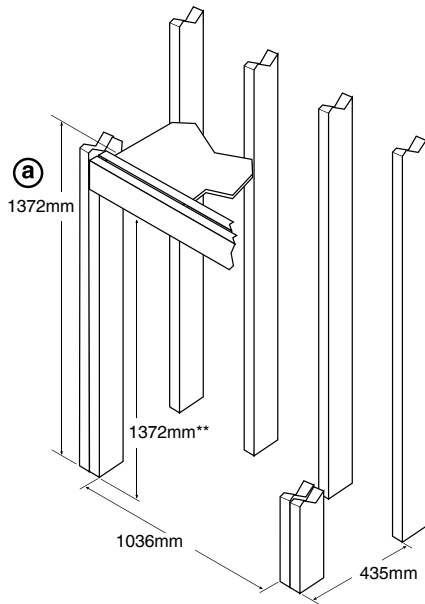
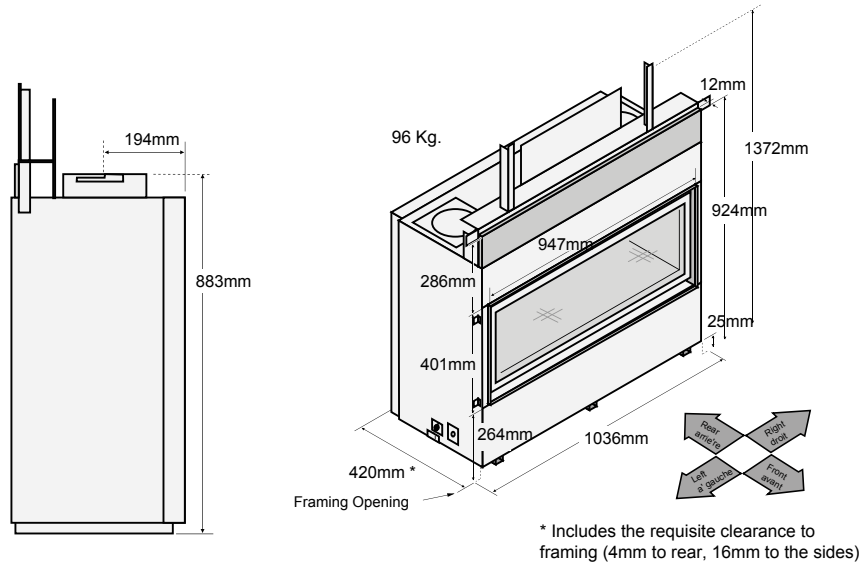


50mm Black finishing trim



# Firebox & Minimum Framing Dimensions

3615 HO GS2



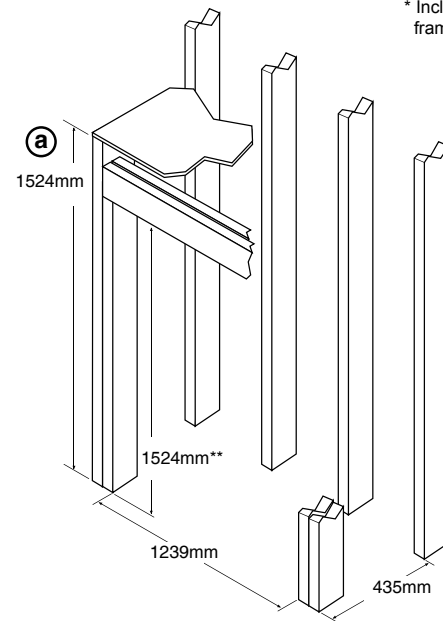
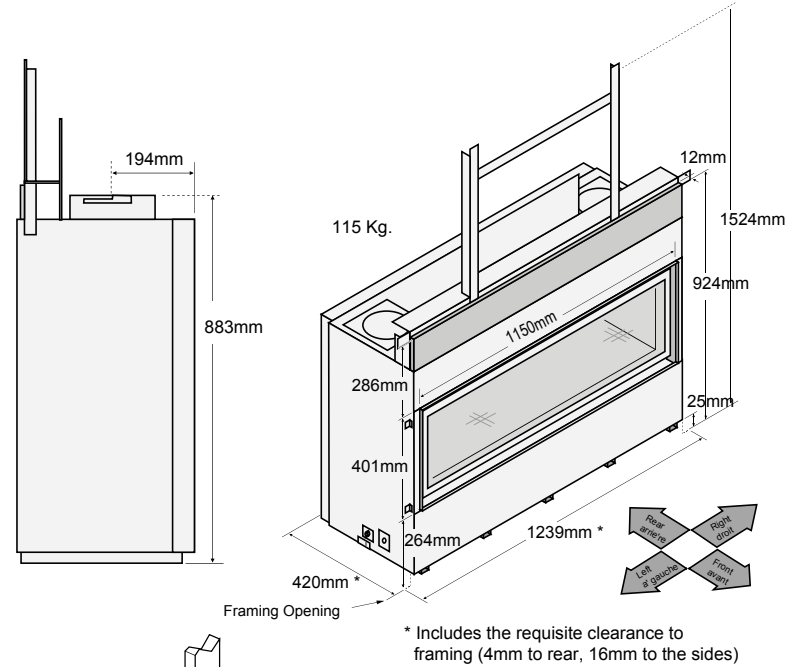
**Note:**  
If a painted wall finish is required a non-combustible wall lining must be used in lieu of plasterboard. Please be advised that 'fire rated' plasterboard is not considered as non-combustible wall sheeting

\*\* From base of firebox, add to this any raised base.

(a) The fireplace enclosure must be a minimum 1372mm tall (do not build into the fireplace enclosure)

See Installation Manual for full clearances

4415 HO GS2



**Note:**  
If a painted wall finish is required a non-combustible wall lining must be used in lieu of plasterboard. Please be advised that 'fire rated' plasterboard is not considered as non-combustible wall sheeting

\*\* From base of firebox, add to this any raised base.

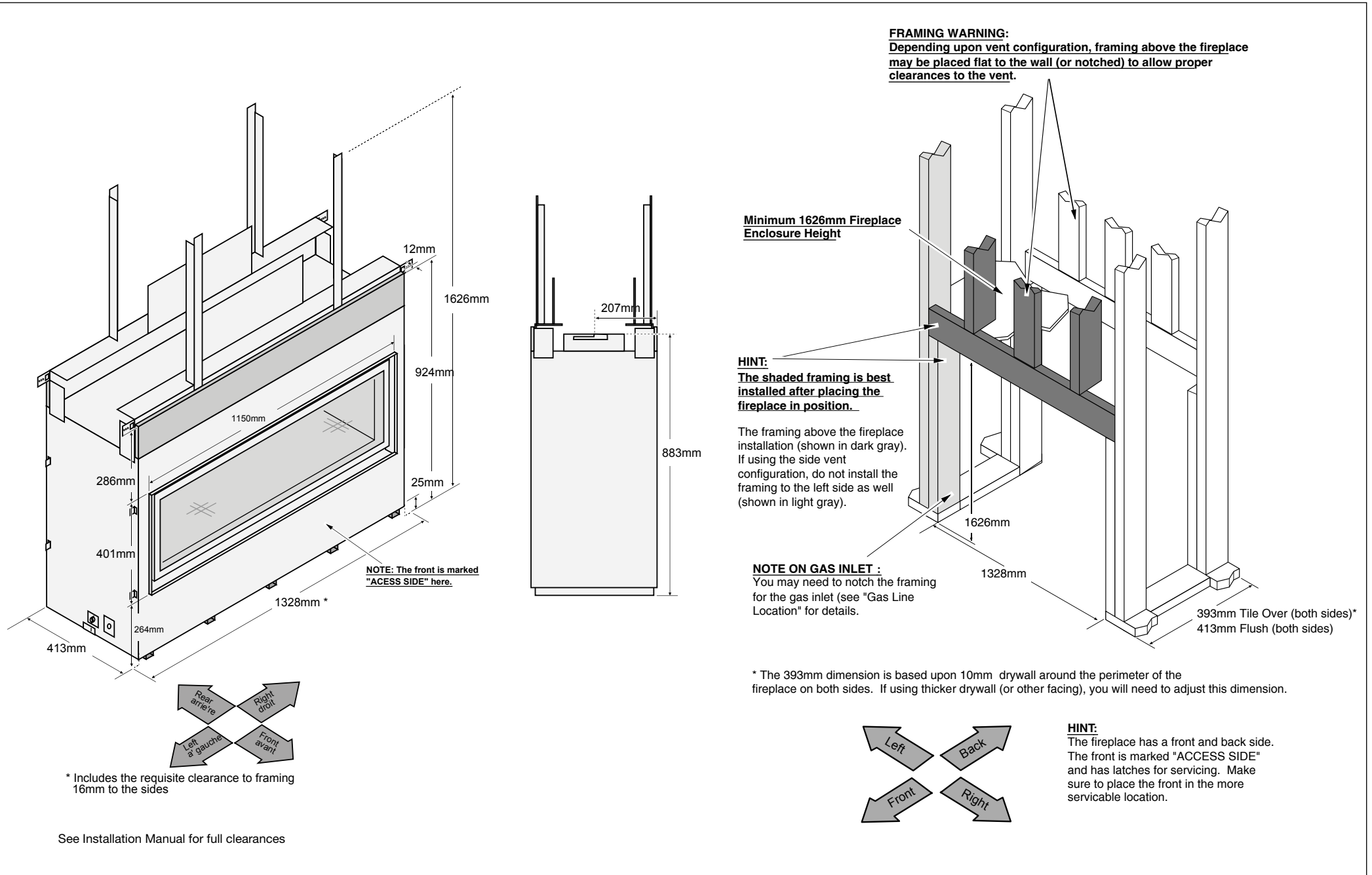
(a) Minimum Enclosure Height 1524mm

(a) The fireplace enclosure must be a minimum 1574mm tall (do not build into the fireplace enclosure)

See Installation Manual for full clearances

# Firebox & Minimum Framing Dimensions

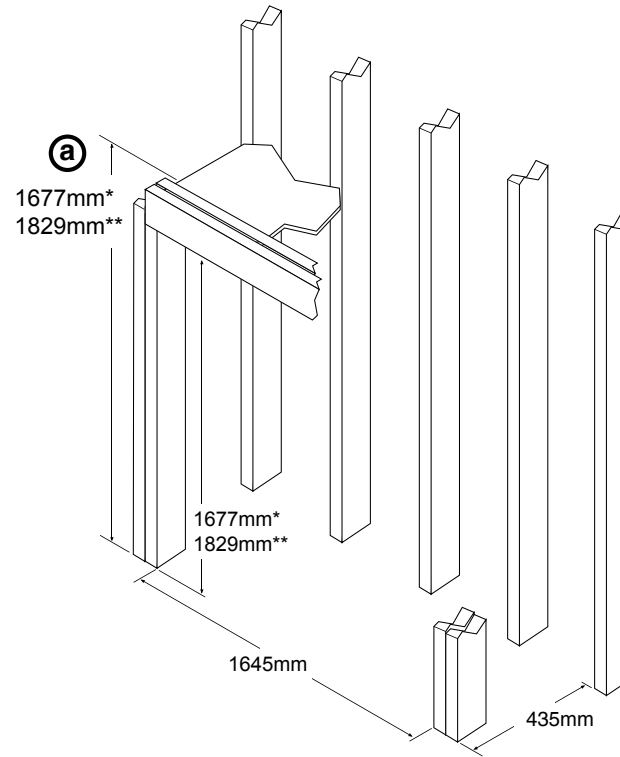
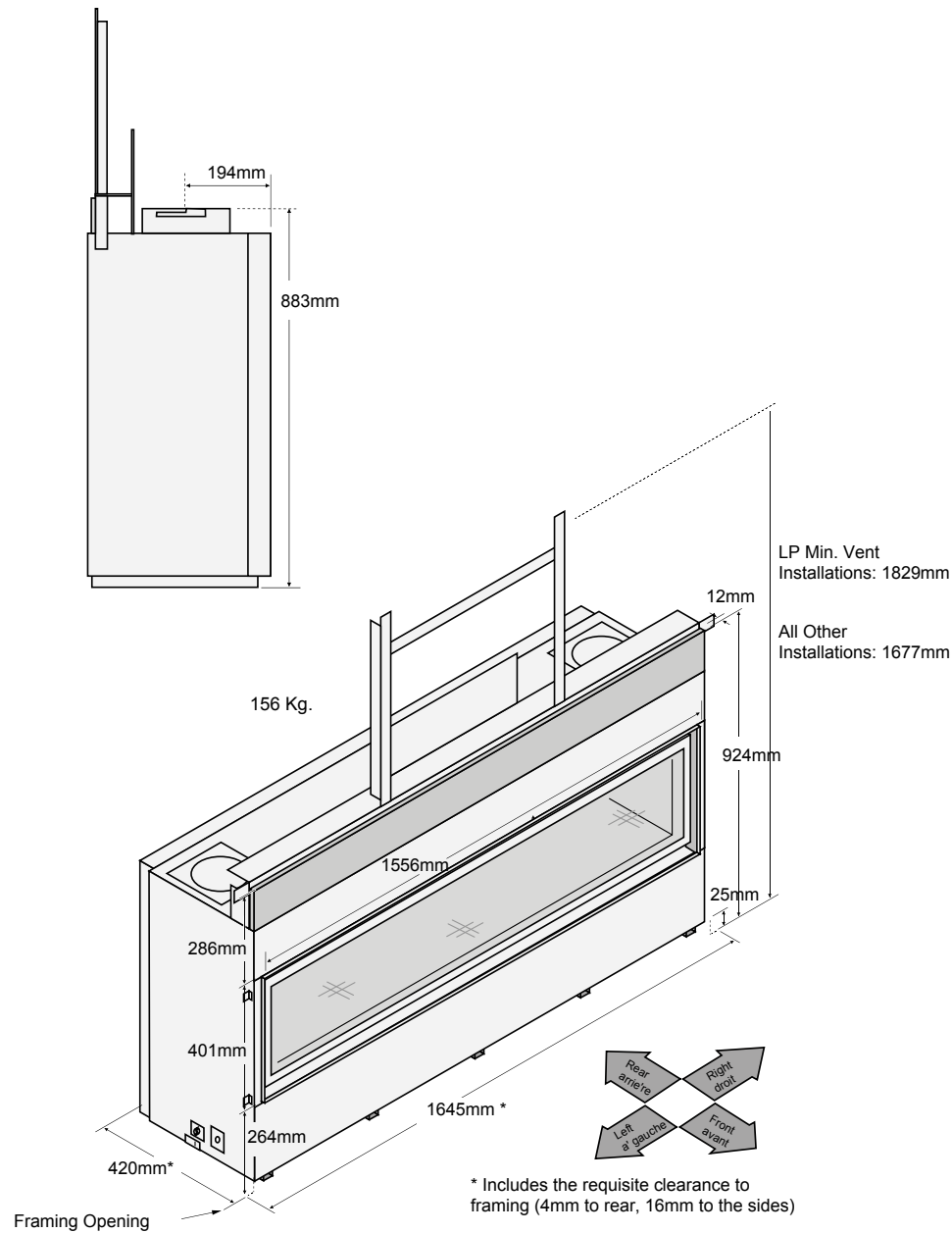
4415ST HO GS2





# Firebox & Minimum Framing Dimensions

6015 HO GS2



**\*NG (all configurations) or LP with 914mm Rise (or greater)**  
**\*\*LP with less than 914mm Rise (Minimum of 610mm Rise)**

**a** The fireplace enclosure must be a minimum 1677mm\* or 1829mm\*\* tall (do not build into the fireplace enclosure)

See Installation Manual for full clearances

**Note:**  
 If a painted wall finish is required a non-combustible wall lining must be used in lieu of plasterboard. Please be advised that 'fire rated' plasterboard is not considered as non-combustible wall sheeting

Frame height from base of firebox, add to this any raised base.



## FEATURING

### GreenSmart 2™ Remote

A remote control supplied as standard allowing you to control the GreenSmart 2™ features

### GreenSmart™ Pilot

Both electronic (IPI) & continuous (CPI) pilot modes

### Accent lighting

Adding a warm glow to your fire for added atmosphere

### Smart or On/Off Thermostat Modes

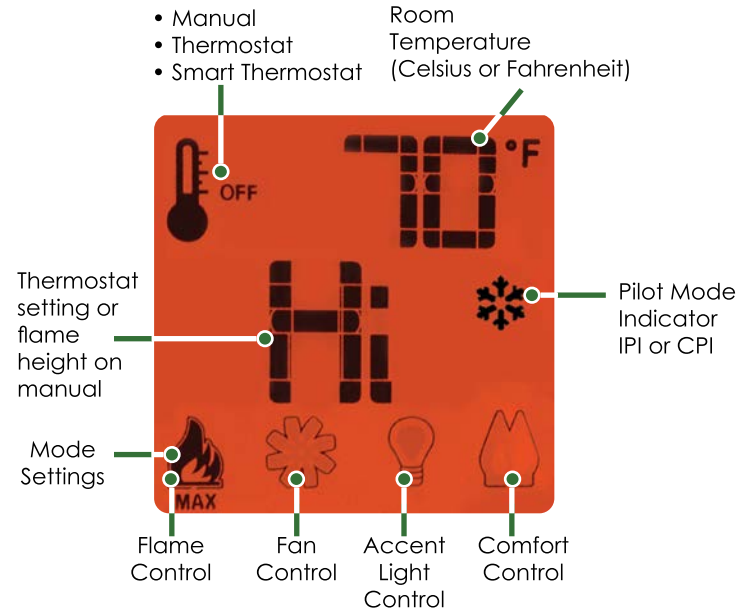
An option that automatically adjusts flame height to a set temperature and switch on/off

### Variable Speed Blower

For increased transfer of convection heat



### Remote Features



Explore our fireplaces and be inspired at [www.lopi.com.au](http://www.lopi.com.au)

Authorised Lopi Dealer:



LOPI PRODUCTS ARE MADE IN THE USA WITH PRIDE

Proudly Supporting



STEVE WAUGH FOUNDATION  
[www.stevewaughfoundation.com.au](http://www.stevewaughfoundation.com.au)



Distributed in Australia by Dragon Wholesaling Pty Ltd

Ph. 1800 064 234  
[www.lopi.com.au](http://www.lopi.com.au)

**Note:** Improper installation of your gas appliance or failure to operate it in accordance to the guidelines detailed in the installation manual may negate warranty and endanger your home and family. Installation information is available on our website at [www.lopi.com.au](http://www.lopi.com.au). We recommend all Lopi appliances be installed and maintained on an annual basis by your local authorised Lopi dealer.