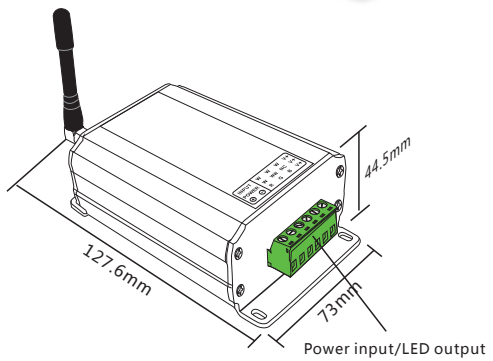


WiFi LED CONTROLLER

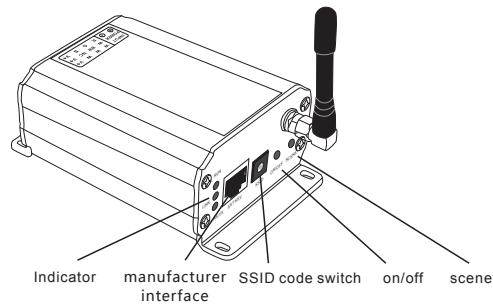
The WiFi controller is controlled with software apps that can be downloaded, free for iPhone or Android by searching for "WiFi-102" through your mobile device. This allows you to use this app to control colour temperature, dimming and also colour changing modes. As technology improves more devices will be controlled via mobile phones and tablets so being able to control your lighting system via these devices is a smart option and makes this device very versatile for domestic and commercial applications.



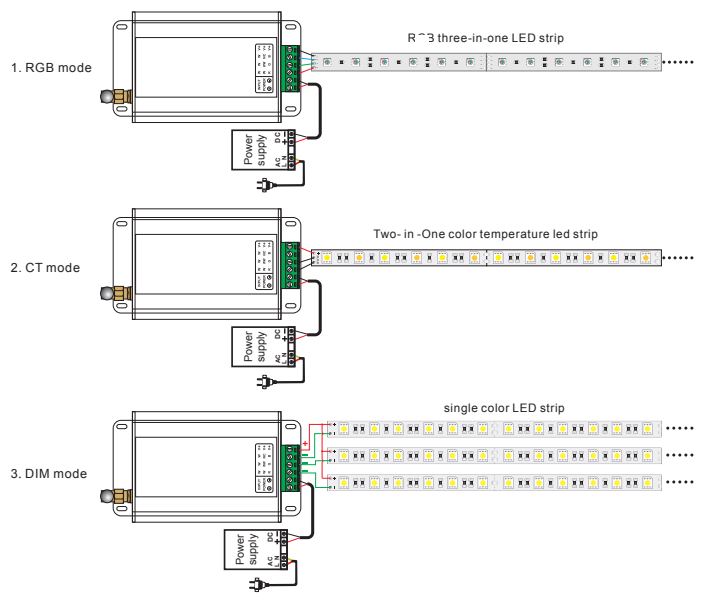
ProductCode	WiFi-102
Input Voltage	12 - 24V DC
Output Current	4Ax 3CH 12Ampd Max
Output Power	144W(12V0/288 (24V)
Control Distance	100 Metres Max
Weight	290g
Ambient Temp Range	-20°C~+50°C
Size	iOS(4.5MB), Android (4.2MB)
Platform	Android 2.1 or above, IOS4.3 or above
Colour change modes	32 fixes modes, 8 DIY modes)
Control output	single colour,color temp, RGB
Package size	L127 x W73 x H44



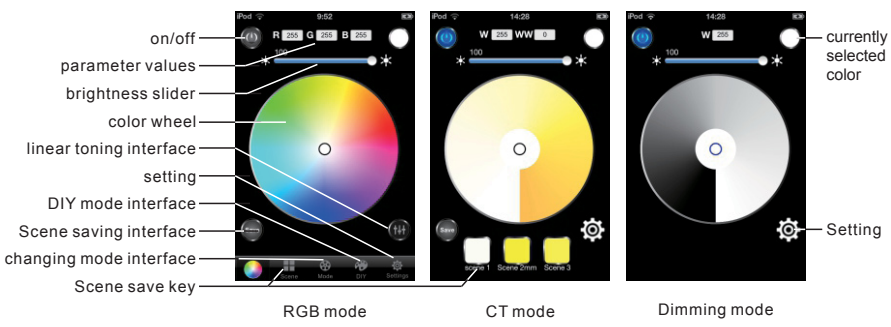
Side A



Side B



Multiple controllable options



RGB mode CT mode Dimming mode