

VLD 51 / VLD 51-BSY+



Performance features

- » Can be used for openings for smoke exhaust; D+H Euro SHEV in accordance with EN 12101-2; and for daily ventilation
- » Up to 6 VLD BSY+ drives on one window possible
- » For operating standard latch pane fittings
- » Programmable drive functions and different drive parameters (VLD 51-BSY+)
- » Manual emergency unlocking possible
- » Configurable locking direction on the drive
- » Increased burglary protection

Approvals / Certificates

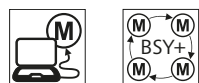
Find out about permission details from your D+H Partner.

Article also available with the following permissions under other article numbers. Technical data may deviate.



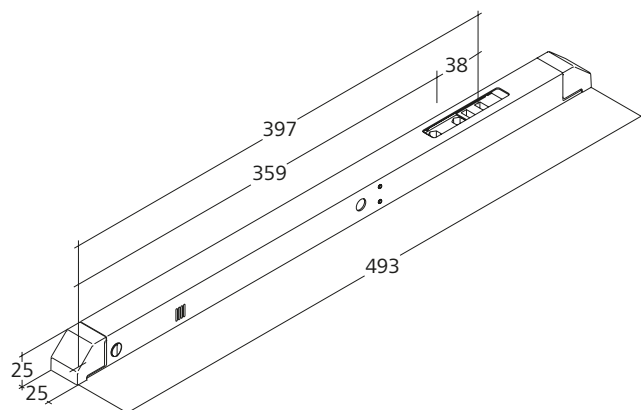
Potential drive options

You can find the explanations for the icons on the last page.



Dimensions

All specifications in mm



Technical data

	VLD 51	VLD 51-BSY+
Supply	24 V DC / $\pm 20\%$ / 1 A	
Duty cycle	30 % (ON: 3 min. / OFF: 7 min.)	
Locking force	500 N	
Breakaway force	1000 N *	
Service life	> 10000 cycles	
OPEN running speed	4.2 mm/s	3.3 mm/s
OPEN running speed - SHEV	-	4.2 mm/s
CLOSED running speed	4.2 mm/s	3.3 mm/s
Type of protection	IP 50	
Emission sound pressure level	LpA \leq 70 dB(A)	
Temperature range	-15 °C (-5 °C **) ... +75 °C	
Fire resistance	B300 (30 min / 300 °C)	
Housing	V2A stainless steel	
Connection	2.5 m silicone cable	
W x H x D	493 x 25 x 25 mm	

* Breakaway force in release position, ** in accordance with VdS 2580

Design

Type	Art. No.	Stroke	Weight	Remark
VLD 51/038	23.060.50	38 mm	1.20 kg	
VLD	23.060.00		1.20 kg	Variable equipment possible
VLD 51/038-BSY+	23.060.70	38 mm	1.20 kg	
VLD-BSY+	23.060.80		1.20 kg	Variable equipment possible
PI-VLD	23.066.10		0.20 kg	Integrated installation
RE-VLD	23.066.00		0.20 kg	Mounted installation
VLD-BS009-IM	24.AFK.KS		0.20 kg	Mounted installation



HS "High speed"

In the case of SHEV, the high-speed function is used for reliably reaching the defined end position in 60 s. In daily ventilation mode, the drive runs quietly and quickly, as usual.



Function programming

Option for customised configuring of drive parameters (e.g. stroke) via software and associated service tools for drives equipped with PLP, BSY or BSY+ electronics.



BRV signal

Acknowledgement from the drive, via a control cable, to confirm that it has been completely extended or retracted. When used with the AT 41 and ERM 44 modules, this signal is sent to the central building control system, the modules themselves, or to the locking drive. The BRV signal is not isolated.



ACB (Advanced Communication Bus)

Enables direct bus communication between the controller and the drive for, for example, control with perfect positioning or drive feedback. Communication is via the open source Modbus protocol, and it enables the drive to be combined with an ACB-capable control panel or enables it to be directly connected to higher-level controllers such as a building management system.



BSY+ (synchronisation of drives)

BSY+ enables communication and synchronisation between different components in the window. For example between the chain drives, during synchronous operation, or between window and locking drives (e.g. FRA 11 BSY+ or VLD-BSY+).



SGI signal (position reporting)

In combination with the D+H servo plug-in unit SE 622 or the BSY-gateway BSY-GW-024-010-U, the drives can be controlled with perfect positioning.



SKS (closing edge protection)

Drive option, which enables an anti-trap strip or presence detector to be connected directly to the drive (terminal resistor 5.6 kΩ).



Audible signal (corresponding to protection class)

AS2 corresponding to "Protection class 2" in accordance with ZVEI risk assessment through an audible warning signal in the "CLOSED" running direction. AS3 corresponding to "Protection class 3" in accordance with ZVEI risk assessment, in addition to AS2, stops the drive for 11 s with a remaining stroke of 28 mm.



End position message (OPEN / CLOSED)

Drive feedback via an integrated isolated switching contact. This happens if the chain / rack and pinion has moved completely out or in.



SBD side bow chain

Drive chain with rigid backing, bends in the direction of the hinge. Drive is fixed in place (not rotatable).



SBU side bow chain

Drive chain with rigid backing, bends in the direction of the hinge. Drive is fixed in place (not rotatable).



WS (use in swimming pool)

Available as an option for rack and pinion drives to make them suitable for use in swimming pools. The drive is equipped with an A4 rack and pinion, A4 eyebolt and a gearbox with hardened stainless steel pinion.



W (use outdoors)

Available as an option for rack and pinion drives to make them suitable for outdoor use. The drive is equipped with a pressure release vent (depending on installation), condensation protective coating on the electronics and a gearbox with hardened stainless steel pinion.