

SALICE



NOVER

Exedra
POCKET DOOR SYSTEM

SALICE

A partnership re-formed

Nover is delighted to present this exciting collaboration with Salice to you.

During the 1980's and 1990's Nover was a proud distributor of the Salice range of hinges.

The Salice name was, and still is, synonymous with high quality hinges. Product performance and ease of use were fundamental to the growth of the brand.

The Nover / Salice partnership has now be re-established, 30 years on. The Salice product range has also grown over the past three decades. Primarily producing world class quality hinges, Salice has now expanded their product offer to include lift fittings, drawer systems, wardrobe accessories, and sliding / folding systems.

For the first time in over 30 years, Salice will be available through the Nover network covering the East Coast of Australia. Local stocks, local people, supporting local business.

Salice, a world leader in the field of opening systems, fittings for furniture and wardrobe accessories, produces a comprehensive range of the highest quality products for manufacturers of kitchen furniture and producers of all types of furniture cabinets and wardrobes.

Salice holds a well-established position worldwide by virtue of its natural talent for innovation, careful attention to quality, efficiency of customer service, and reliability earned during more than 90 years of experience. Salice is one of the most prestigious brands among the small, medium-sized and large companies in the furniture industry.

NOVER

70
Years
ANNIVERSARY

Contents

PRODUCT OVERVIEW



Exedra system

Introduction	05
Mechanism & Hinge kit codes	14

Accessories

Side Panel Connector Kits	17
Cover Panel	18
Roller Guide	19

EXEDRA



Exedra

Elegance, functionality and space optimisation

Exedra is a pocket door system with cam-assisted sliding action that is enhanced by a linear damping system to gently control the final opening and closing movement.

The system is easy to install and remove from the cabinet and allows the doors to open and close smoothly and uniformly.

Exedra enables the optimisation of space and can be used in a host of applications – from larger units for kitchens, to hide away appliances like washing machines, freezers or even sinks; in living rooms for media or library units; in bedroom wardrobes and in office storage applications.

Each system is supplied partly assembled reducing manufacturing and install times.



EXEDRA

Pocket door system

With assisted sliding action enhanced by linear damping to gently control the movement of the door

DOOR SPECIFICATIONS

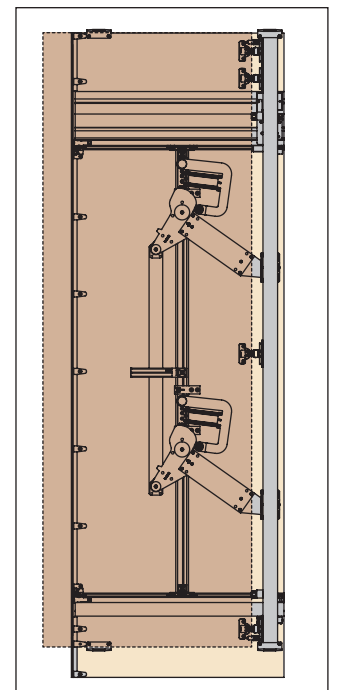
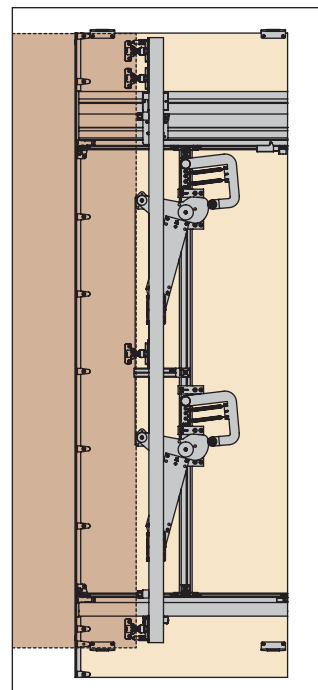
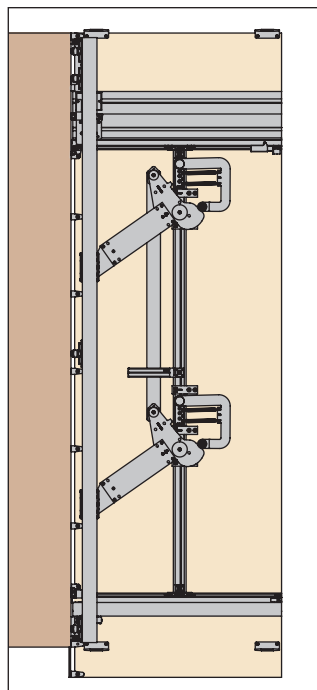
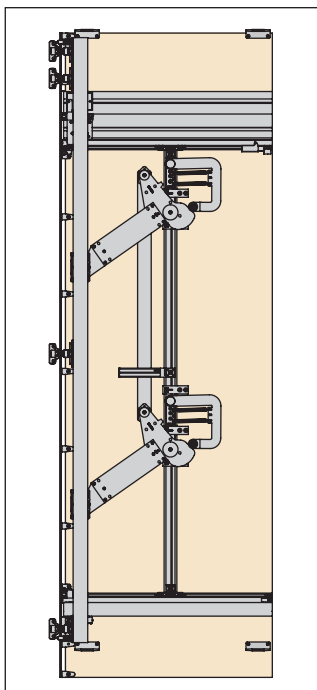
- Thickness:** 16mm to 30mm
- Height:** Version 1: 1930mm to 2230mm
Version 2: 2231mm to 2530mm
- Width:** 501mm to 900mm
- Weight:** Maximum weight per door 30kg (distributed evenly) or 40kg for doors with 5 hinges and maximum width of 700mm

DOOR ADJUSTMENT

- Vertical adjustment ± 1 mm
- Horizontal adjustment ± 2 mm
- Front adjustment ± 4 mm



Mechanism movement as the door leaves the recess.



EXEDRA

1 Cam-assisted door insertion and extraction movement.

2 Magnetic buffer for soft insertion.

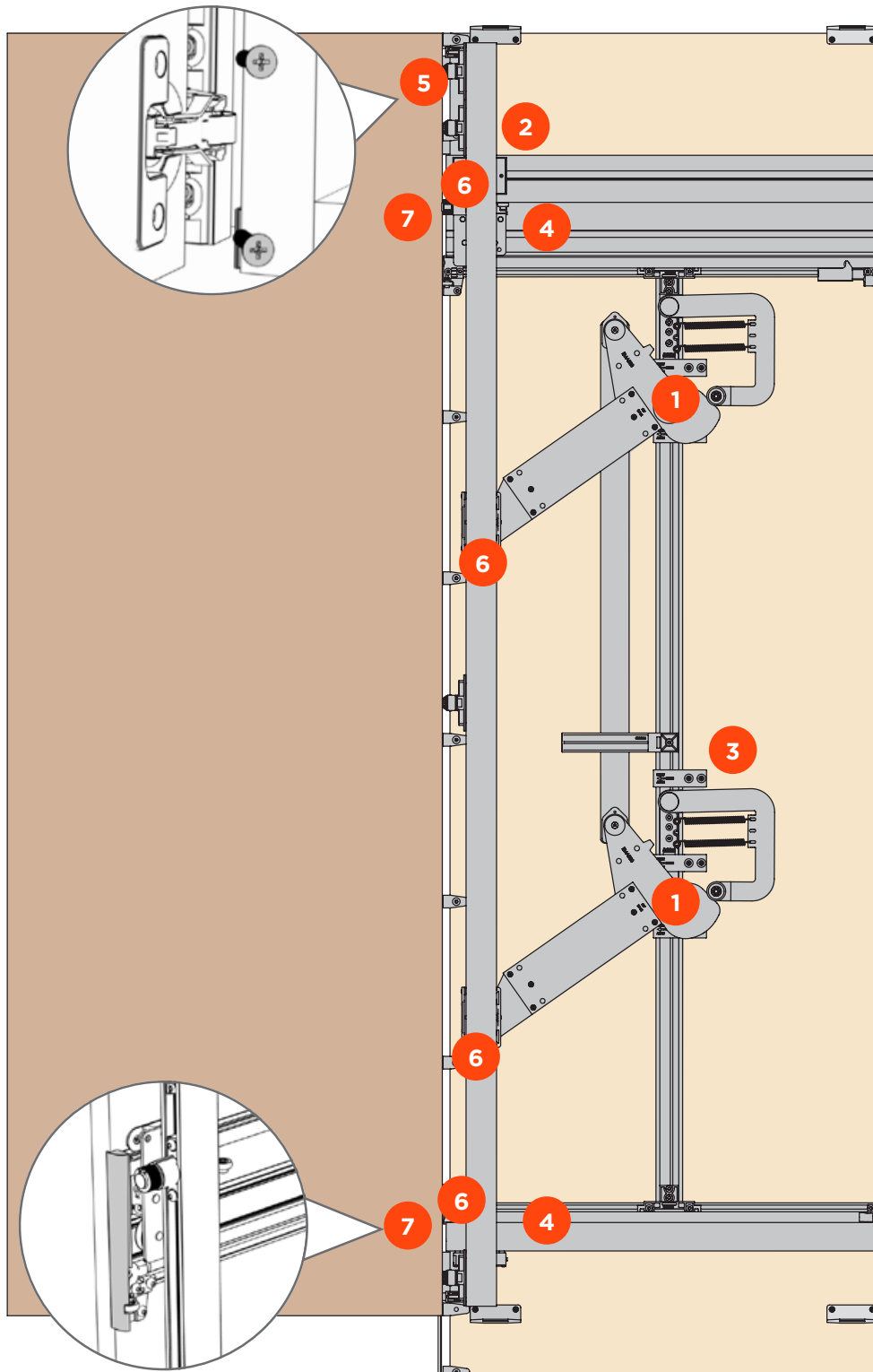
3 Slide-in installation to facilitate installation and removal of the mechanism from the front.

4 Sliding carriage.

5 Quick coupling hinges.

6 All adjustments are accessible from the front of the cabinet.

7 Profile cover caps (included in the standard versions).





Calculation for door protrusion from front of cabinet

ABBREVIATIONS

LPS	Total external cabinet depth	TH	Door height
LPU	Usable external cabinet depth	CP	Profile Length (501mm to 700mm)
TL	Door width	Y	Door protrusion

DOOR PROTRUSION

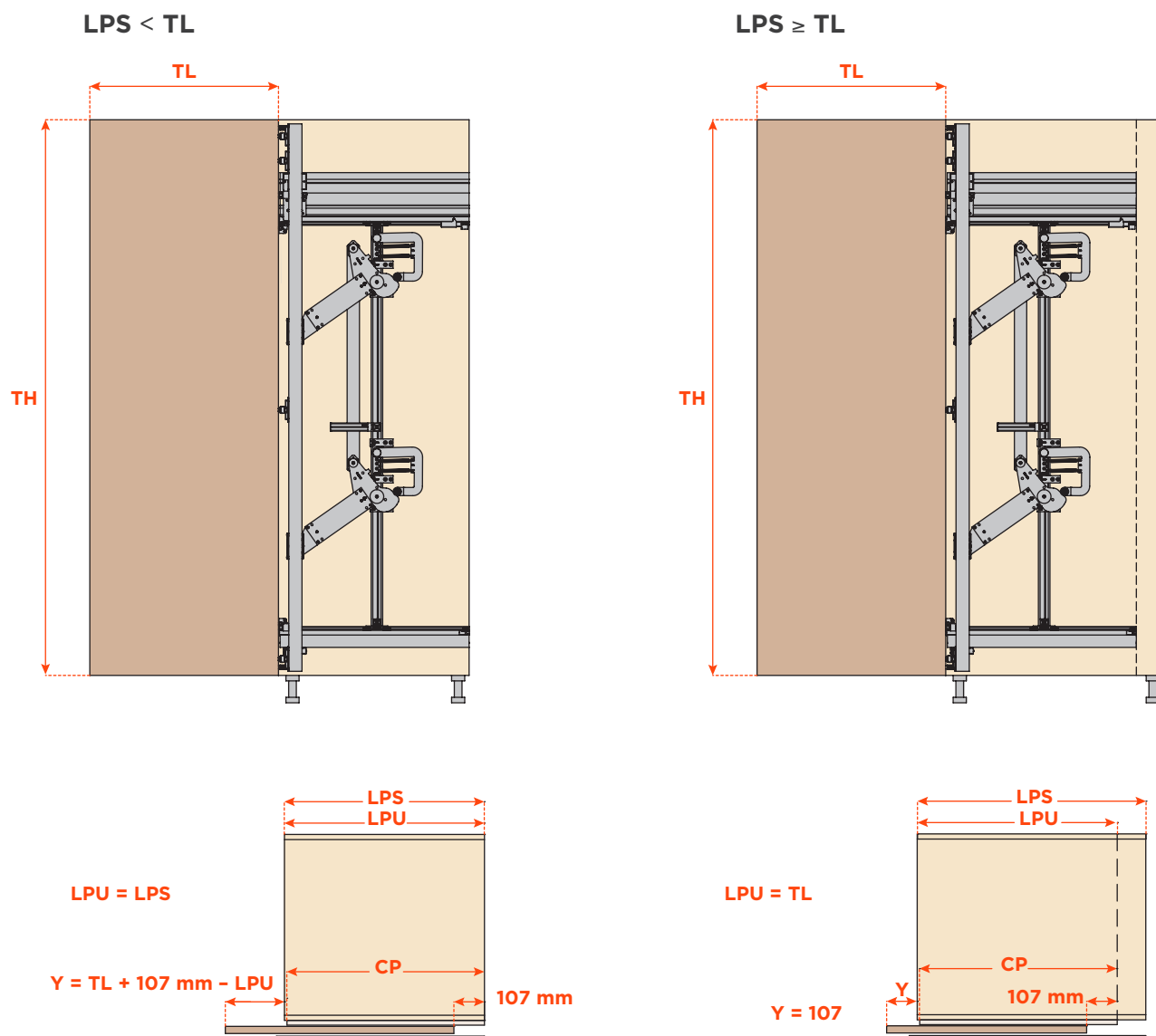
A minimum door protrusion of 107mm (Y) is recommended to ensure pocket door is conveniently accessible when retracted.

To achieve a 107mm door protrusion, profile length (CP) and door width (TL) are to be matching between the values of 501mm and 700mm.

Alternatively, door protrusion (Y) will increase with door widths (TL) greater than 700mm.

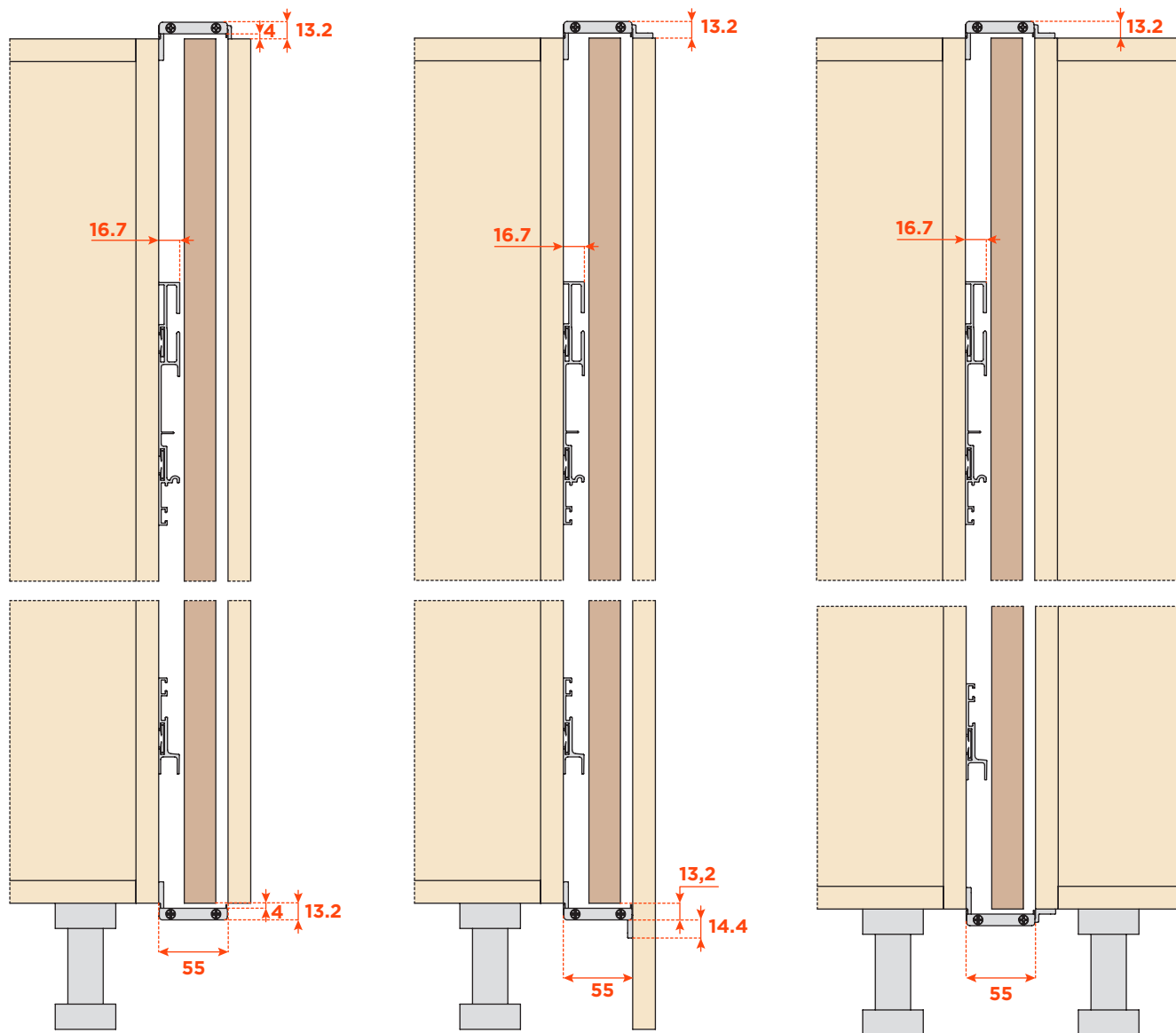
For example, a maximum door width (TL) of 900mm will provide a door protrusion (Y) of 307mm.

For technical assistance, email our support team – salicesupport@nover.com.au

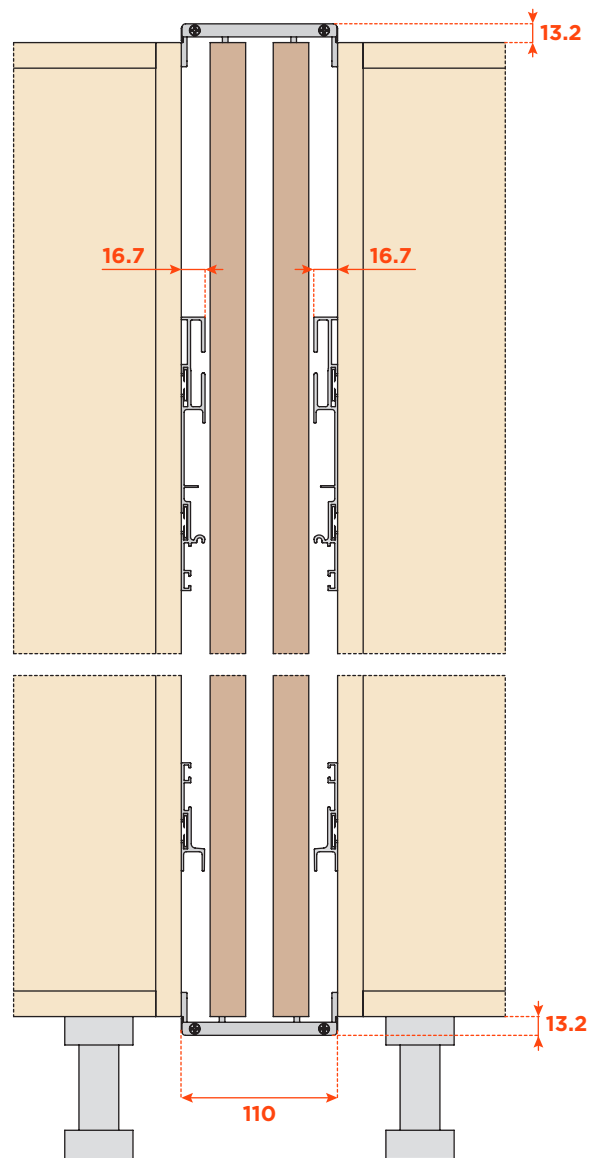
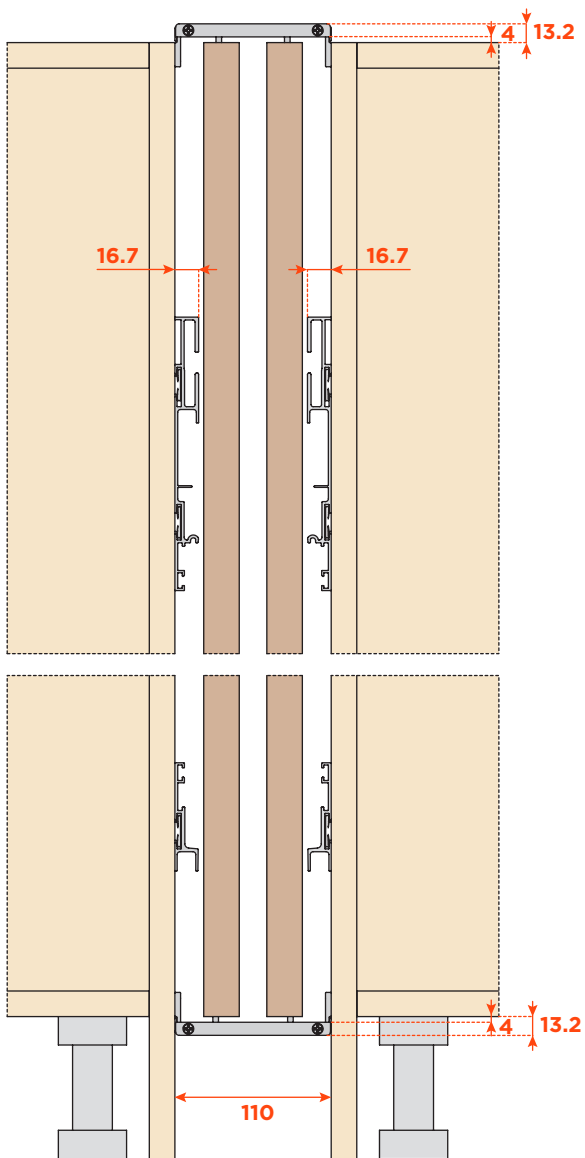


EXEDRA

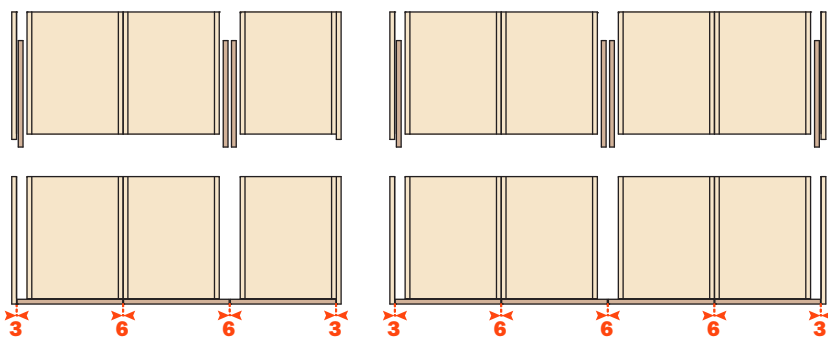
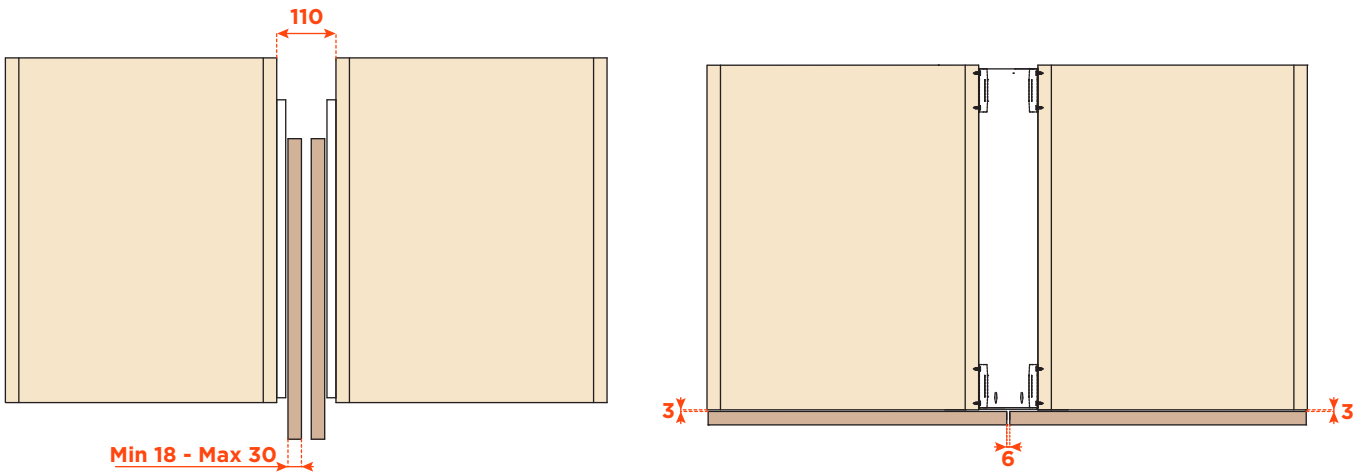
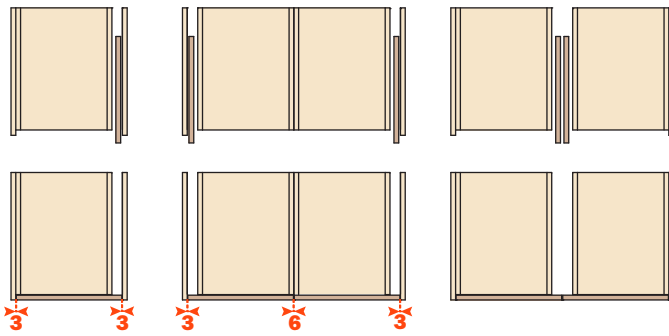
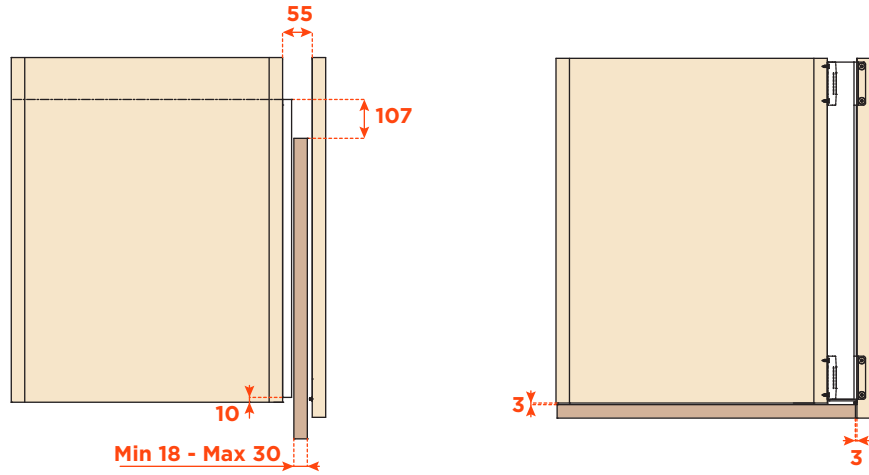
Types of assembly - Single door



Types of assembly - Double door



EXEDRA





EXEDRA

Exedra – Partially assembled

To view Exedra Assembly video



SCAN ME

FEATURES

Exedra partially-assembled systems are available in two versions

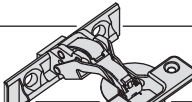
- Version 1: 1930mm to 2230mm
- Version 2: 2231mm to 2530mm

Usable external cabinet depth between 501mm and 700mm

- Upper and lower tracks are the only components that require cutting
- Although the assembly is still required, the locating clips and positioning stops ensure a fast and secure assembly
- Side access of the cabinet is not required to remove the system

For technical assistance, email our support team – salicesupport@nover.com.au

DIMENSIONS

USABLE EXTERNAL CABINET DEPTH LPU (MM)							
		501 - 600		601 - 700			
DOOR HEIGHT TH (MM)	MIN	MAX	MIN	MAX			
	1930	2230	1930	2230	4 x		max 24kg
	2231	2530	2231	2530	5 x		max 30kg /40kg*

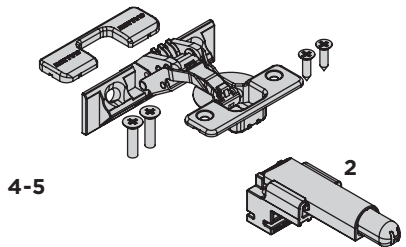
* max. weight 40kg only with max. door width 750mm.

To view Exedra Adjustment video



SCAN ME

Smove kit

 4-5	COMPONENT INCLUSIONS		CODES
	5 HINGES + 2 SMOVE • NICKEL-PLATED		430576
	5 HINGES + 2 SMOVE • TITANIUM		430577
	4 HINGES + 2 SMOVE • NICKEL-PLATED		430578
	4 HINGES + 2 SMOVE • TITANIUM		430579

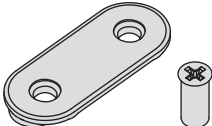
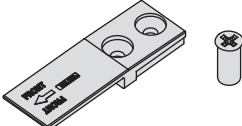
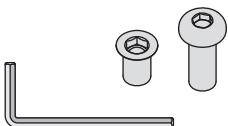
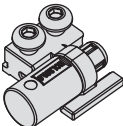
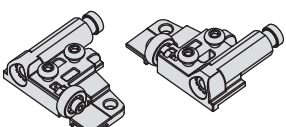
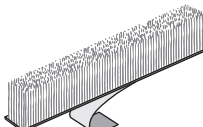
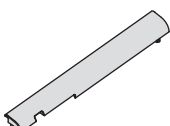
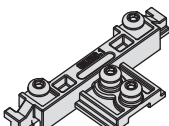
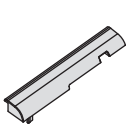
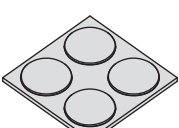
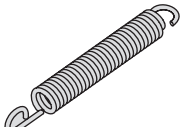


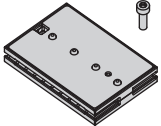
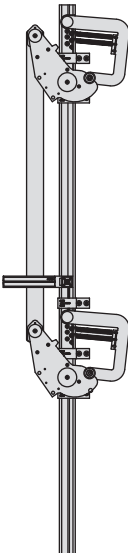



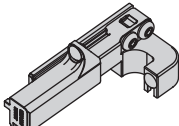
Push kit

 4-5	COMPONENT INCLUSIONS		CODES
	5 PUSH HINGES + 1 RELEASE DEVICE • NICKEL-PLATED		430566
	5 PUSH HINGES + 1 RELEASE DEVICE • TITANIUM		430567
	4 PUSH HINGES + 1 RELEASE DEVICE • NICKEL-PLATED		430568
	4 PUSH HINGES + 1 RELEASE DEVICE • TITANIUM		430569

Mechanism – STANDARD PARTIALLY ASSEMBLED

 LEFT → RIGHT	USABLE EXTERNAL CABINET DEPTH LPU (MM)	DOOR HEIGHT TH (MM)	CODES
RIGHT	500 - 700	1930 - 2230	430561
LEFT			430562
RIGHT	500 - 700	2231 - 2530	430581
LEFT			430582

Hardware inclusions

	<p>9 X Locating clips 18 X Euro screws 6.3 x 14</p>		<p>5 X Positioning stops 10 X Screws 6.3 x 14</p>
	<p>2 X Threaded inserts M6 x 13 2 X Screws M6 20 UNI 7380 1 X Allen key</p>		<p>1 X Door insertion stopper</p>
	<p>1 + 1 Door extraction dampers</p>		<p>3m Dust protection brush</p>
	<p>1 X Upper front cover</p>		<p>2 X Central profile connectors</p>
	<p>1 X Lower front cover</p>		<p>1 X Spacers</p>
	<p>2 X Spare springs</p>		<p>2 X Cam connection plates</p>
	<p>12 X Fixing screws for connection plates (screws M4 x UNI)</p>		
	<p>1 X Magnetic buffer for soft insertion</p>		
	<p>1 X Upper track</p>		
	<p>1 X Lower track</p>		
	<p>1 X Rear bumper</p>		

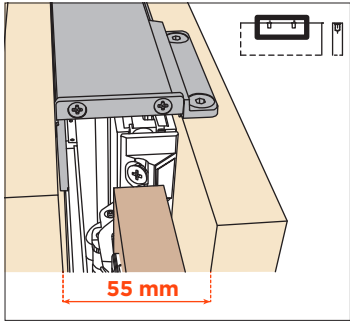
ACCESSORIES



ACCESSORIES

Side panel connector kits – Single door

Screw fixed side panel connector kit.

SCREW-FIXED	CODE	LPS (MM)
	430571	400 - 650
	430572	650 - 900

LPS (mm) - Total external cabinet depth

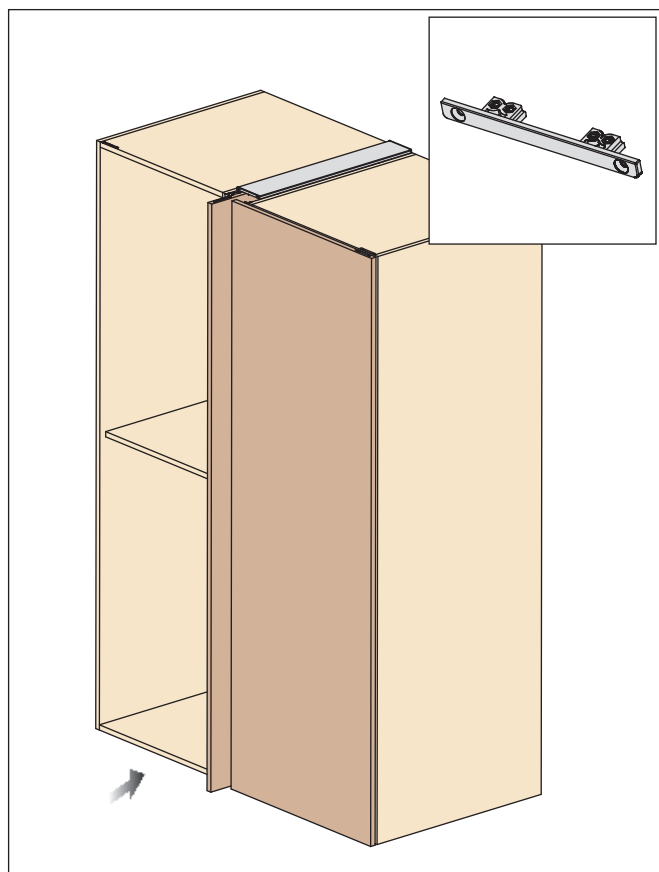
To view Accessories and Mechanism Removal video

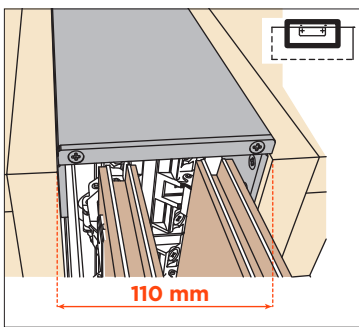


SCAN ME

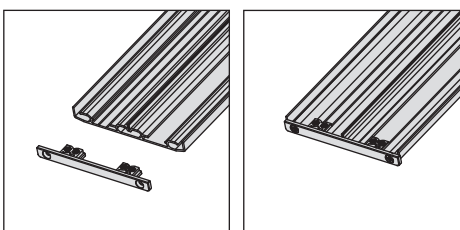
Connector kits for double-pocket applications for 2 doors

Screw-fix the supports to the cabinet side and insert the track for the doors in the front part of the profile. Cut to length and insert the profile.



	CODE	LPS (MM)
	430573	370 - 650
	430574	650 - 900

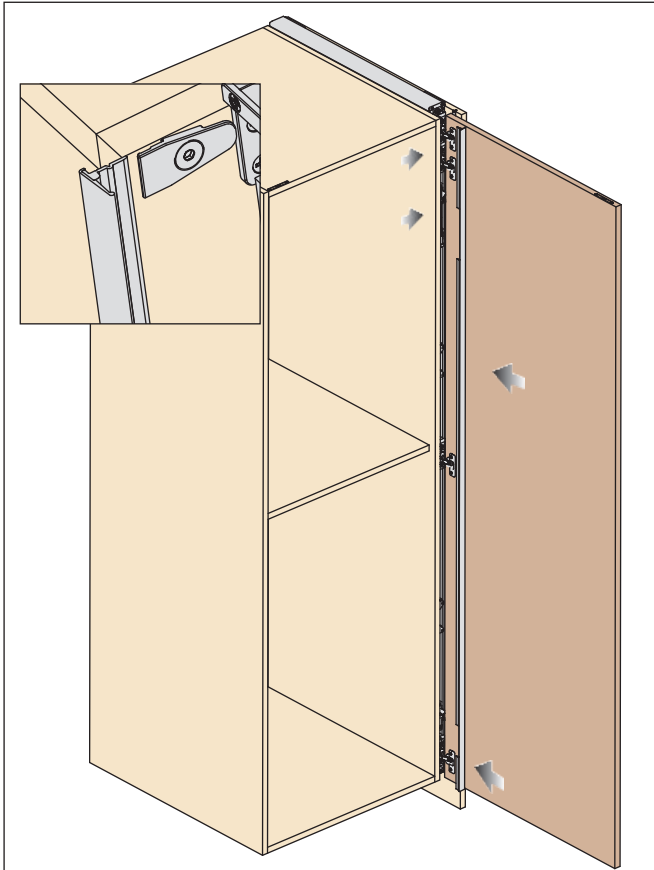
LPS (mm) - Total external cabinet depth

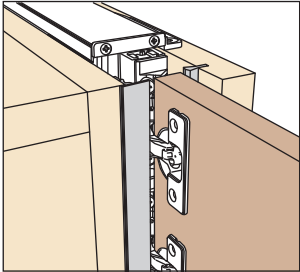
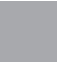




ACCESSORIES

Cover panel conceals the mechanism

Cut the aluminium cover to length and slide it onto the clips.



	CODE	L (M)	COLOUR
	430585	2.6	
	430586	2.6	
	430587	2.6	

ACCESSORIES

Roller Guide

Supplementary roller guide required when using shaker style doors, aluminum framed doors or timber framed doors.

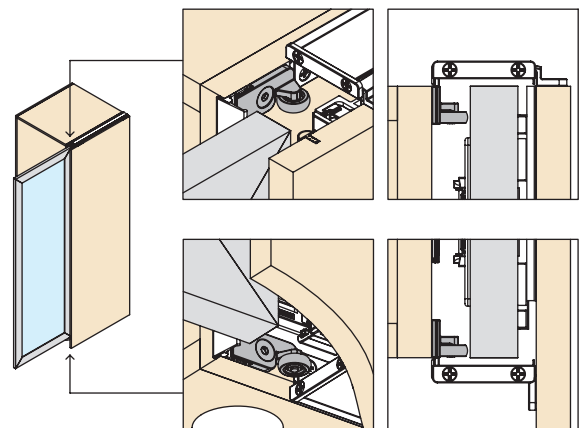
The fixing of this component requires additional assembly.

Please do not hesitate to consult our technical support department for assistance salicesupport@nover.com.au.



CODE

430590



Note: Additional rollers replace the top and bottom bracket clips, providing guidance and support for shaker profile doors, timber framed doors and aluminium framed doors.



CONTACT US

NSW

Sydney – Head Office

19 Wonderland Drive,
Eastern Creek NSW 2766
Phone: 1300 668 371
Fax: 1300 668 372

Newcastle

93 Munibung Road,
Cardiff NSW 2285
Phone: (02) 4956 6626
Fax: (02) 4956 6619

Orange

38 Leewood Drive,
Orange NSW 2800
Phone: (02) 6362 9666
Fax: (02) 6361 4513

Port Macquarie

40 Jindalee Road,
Port Macquarie NSW 2444
Phone: (02) 6581 2202
Fax: (02) 6581 2220

Wagga Wagga

1B Wentworth Street,
Wagga Wagga NSW 2650
Phone: (02) 6921 6499
Fax: (02) 6921 7411

Wollongong

3 Lady Penryhn Drive,
Unanderra NSW 2526
Phone: (02) 4271 3266
Fax: (02) 4271 7800

QLD

Brisbane – Main Office

Unit 4/22
Eastern Service Road,
Stapylton QLD 4207
Phone: 1300 599 057
Fax: 1300 599 347

Townsville

33 Hugh Ryan Drive,
Garbutt QLD 4814
Phone: (07) 4775 3500
Fax: (07) 4779 3390

ACT

Fyshwick




Unit 10/145-147 Gladstone Street,
Fishwick ACT 2609
Phone: (02) 6299 1100
Fax: (02) 6147 3505

VIC

Melbourne

30 Jersey Road,
Bayswater VIC 3153
Phone: (03) 9729 0666
Fax: (03) 9720 5175

FOLLOW US @

 [NoverAustralia](#)  [noveraustralia](#)  [Nover & Co Pty Ltd](#)



NOVER

NOVER & CO PTY LIMITED
ABN 15 001 706 038

19 WONDERLAND DRIVE, EASTERN CREEK NSW 2766
LOCKED BAG 90, WETHERILL PARK BUSINESS CENTRE NSW 1851

T 1300 668 371 F 1300 668 372 E info@nover.com.au

www.nover.com.au



070221