



AvanTech YOU

Customisation made easy.

Technik für Möbel



AVANTECH YOU PLATFORM



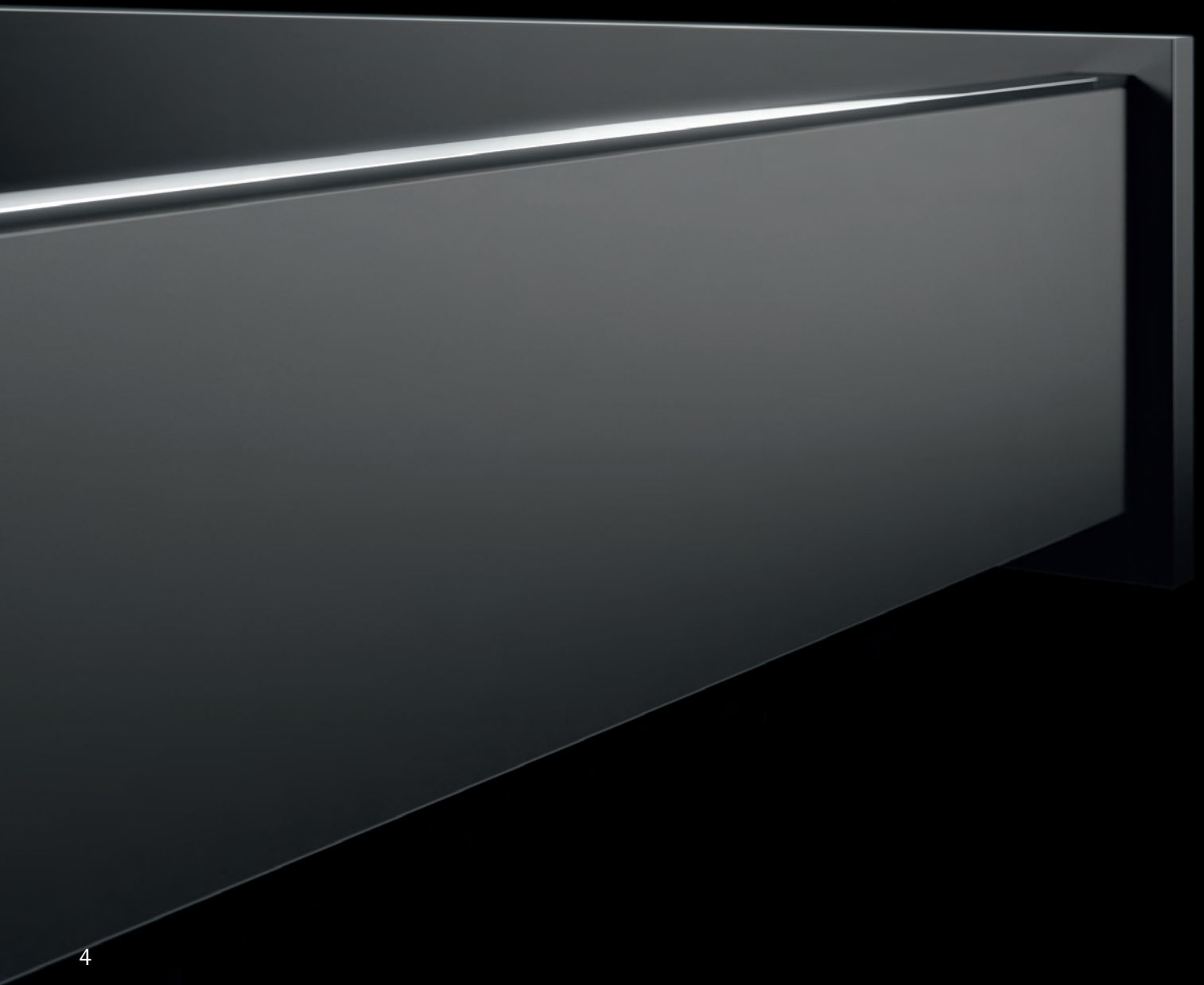


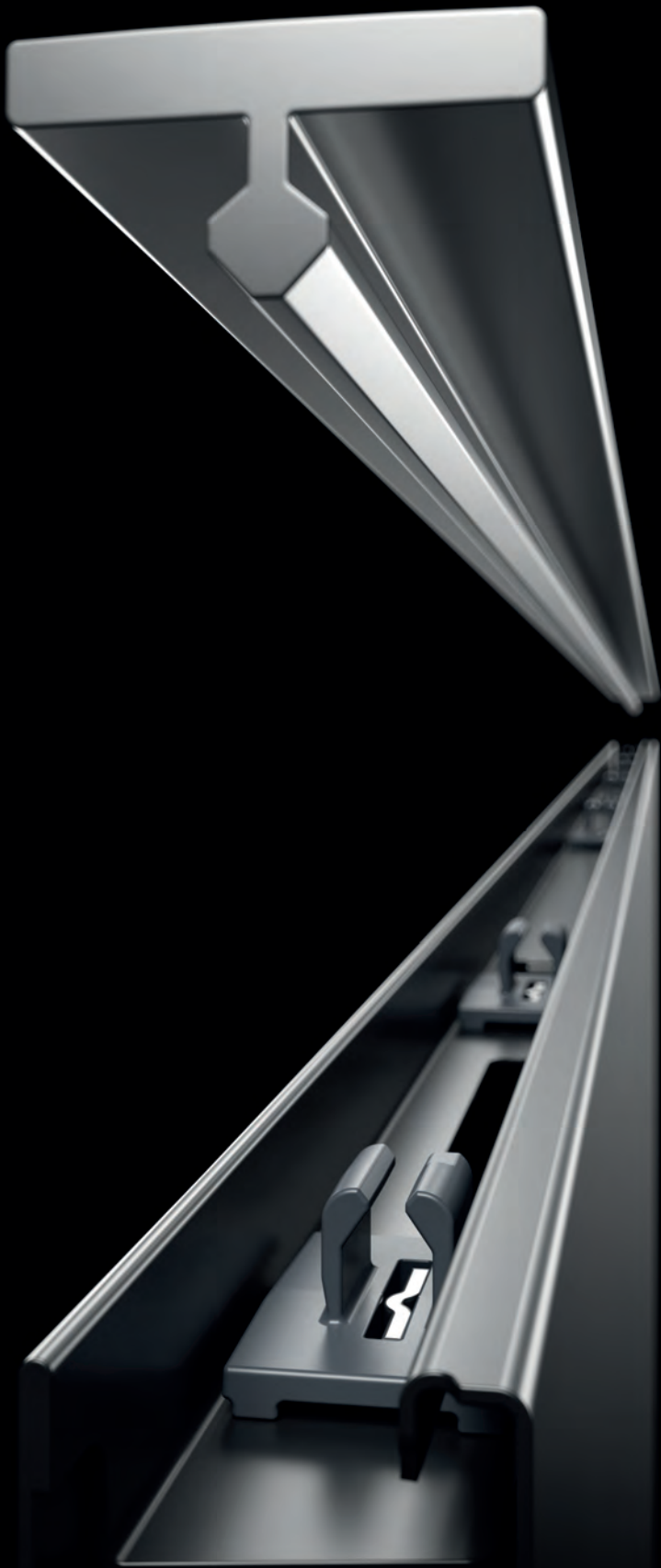
Never before has it been easier to focus on customer preferences: AvanTech YOU lets you configure the drawer in exactly the way you want it to be. Whether for use in the bathroom, living room or kitchen – every wish for a unique look is easily fulfilled with the broad diversity of this product range and the many different ways of creating furniture that speaks with individuality.

AvanTech YOU is the platform for your own ideas and design options!

YOUR DESIGN: UNIQUE!

The concept provides a huge amount of design flexibility in terms of colour, shape and material, giving you the key to successfully turning your own furniture design ideas into reality. In a width of only 13 mm, the style is uncompromisingly sleek. Where working components innovatively vanish into the slender drawer side, the clean design is set off with stunning effect. Here, there are no cover caps or holes to spoil the look of flawless beauty. The fitting deliberately recedes into the background and blends in with furniture as a design element.





Customisation has never been so easy.

Incredibly easy to achieve with AvanTech YOU, whatever personal character you want a design to reflect is a matter for you to decide. With a simple click, design profiles or DesignCapes conjure an accentuated, visual transformation. Elegant glass panels for the Inlay drawer side profile do away with the boundaries between space and furniture and focus the eye on furniture design.

With the option of using any chosen materials, your ideas become distinctive solutions that stand apart!

DESIGN PROFILE

STANDARD

Design profiles in standard AvanTech YOU.
Already customised as standard.

Use the many different ways of shaping and customising the design of your furniture. Give your furniture unmistakable character and respond quickly to the latest design trends. The fastest way: use Standard design profiles available in white, silver white, silver, anthracite, or in the optics of aluminium, stainless steel, chrome, walnut or oak.



Design profiles

- ▶ Any chosen top edge for drawer side profile
- ▶ For clipping on
- ▶ Plastic, foil wrapped

DRAWER SIDE PROFILE COLOURS

ACCENT COLOURS

Nominal length mm	DRAWER SIDE PROFILE COLOURS				ACCENT COLOURS					
	Surface / Order no. Silver	White	Anthracite	PU	Aluminium	Stainless steel	Chrome	Oak	Walnut	PU
270	-	-	-	1/200 each	9 255 759	9 255 768	9 255 777	9 255 786	9 255 795	1/100 each
300	-	-	-	1/200 each	9 255 760	9 255 769	9 255 778	9 255 787	9 255 796	1/100 each
350	-	-	-	1/200 each	9 255 761	9 255 770	9 255 779	9 255 788	9 255 797	1/100 each
400	9 255 807	9 255 816	9 255 825	1/200 each	9 255 762	9 255 771	9 255 780	9 255 789	9 255 798	1/100 each
450	9 255 808	9 255 817	9 255 826	1/200 each	9 255 763	9 255 772	9 255 781	9 255 790	9 255 799	1/100 each
500	9 255 809	9 255 818	9 255 827	1/200 each	9 255 764	9 255 773	9 255 782	9 255 791	9 255 800	1/100 each
550	-	-	-	1/200 each	9 255 765	9 255 774	9 255 783	9 255 792	9 255 801	1/100 each
600	-	-	-	1/200 each	9 255 766	9 255 775	9 255 784	9 255 793	9 255 802	1/100 each
650	-	-	-	1/200 each	9 255 767	9 255 776	9 255 785	9 255 794	9 255 803	1/100 each

INDIVIDUAL

How to implement it:

Paint the standard design profiles or use the design profile as a carrier for your own ideas, materials and colours.



Customisable design profile

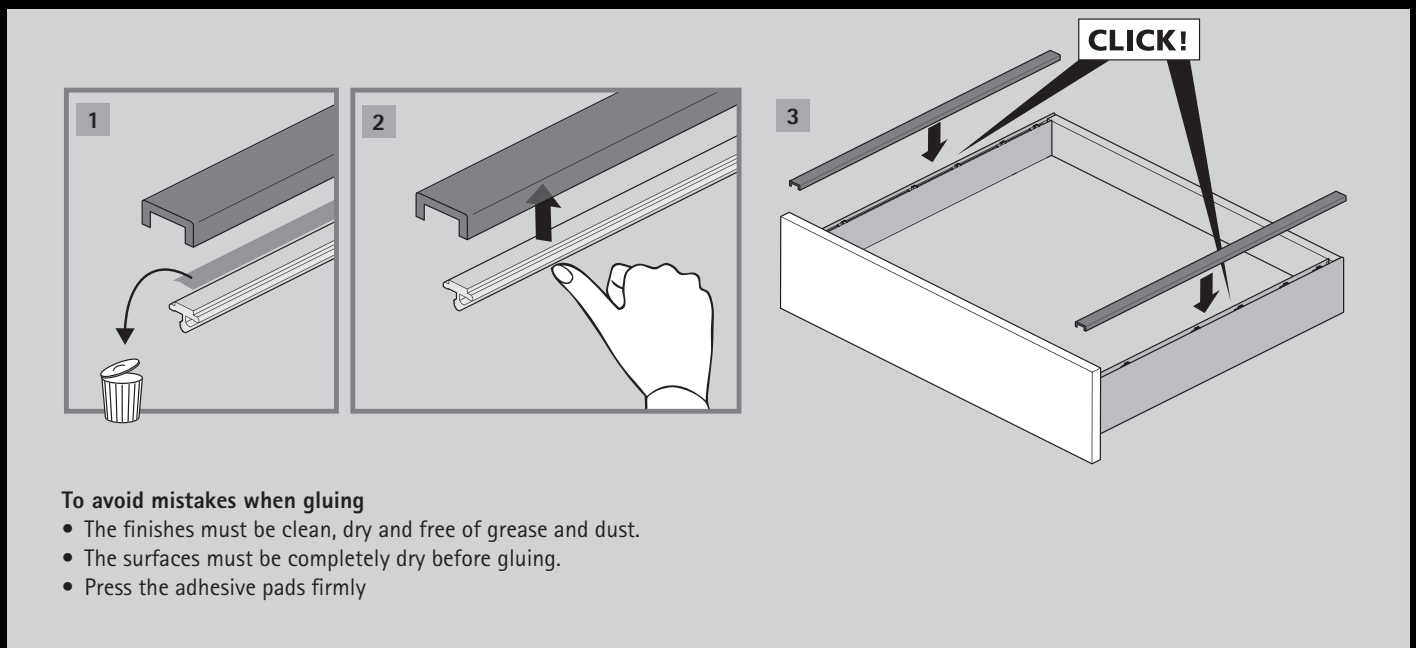
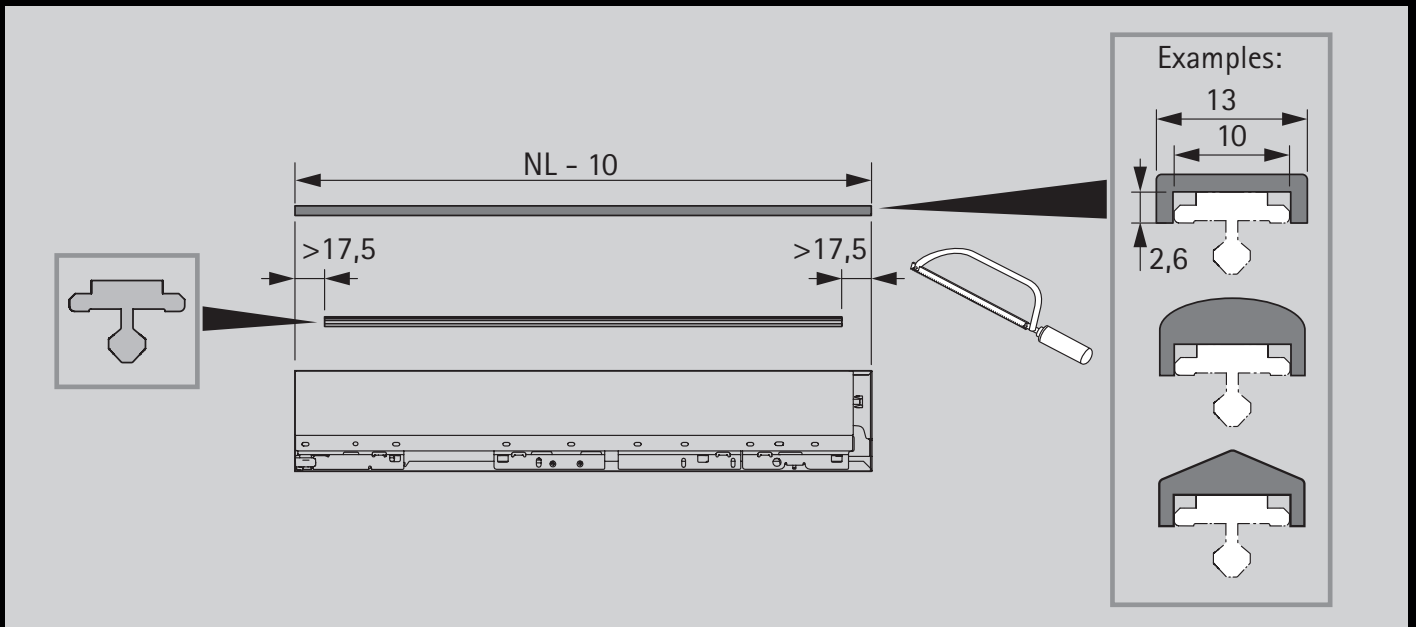
- ▶ Support for any chosen versions of the design profile
- ▶ Length 2000 mm
- ▶ For clipping on
- ▶ Grey plastic with adhesive strip



Order no.	PU
9 255 831	1/50 each

DESIGN PROFILE

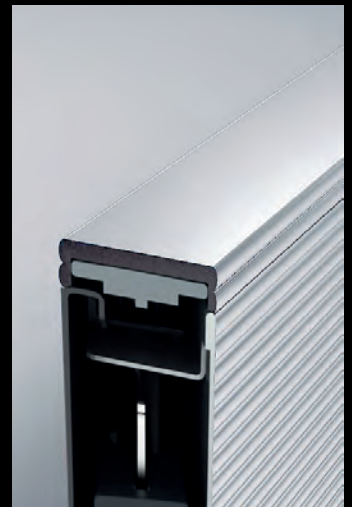
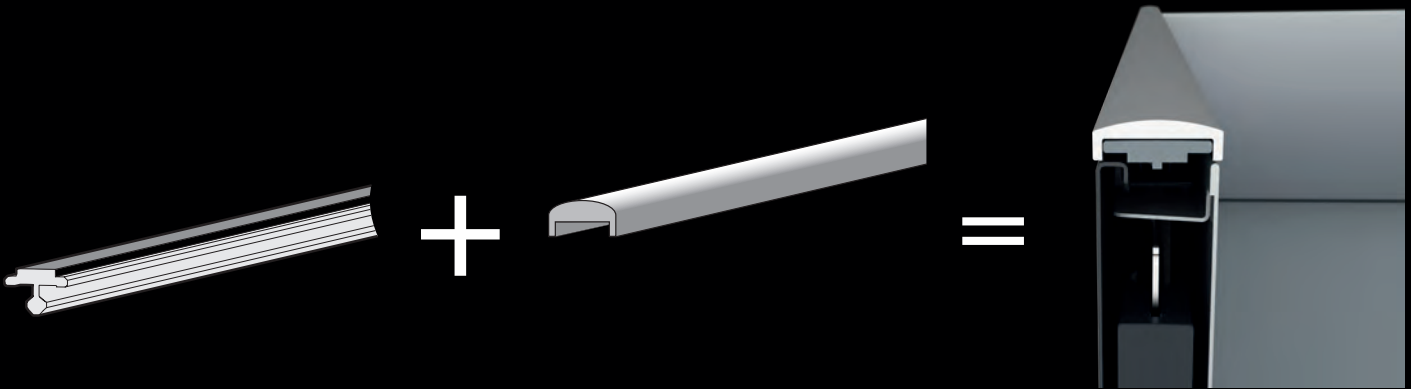
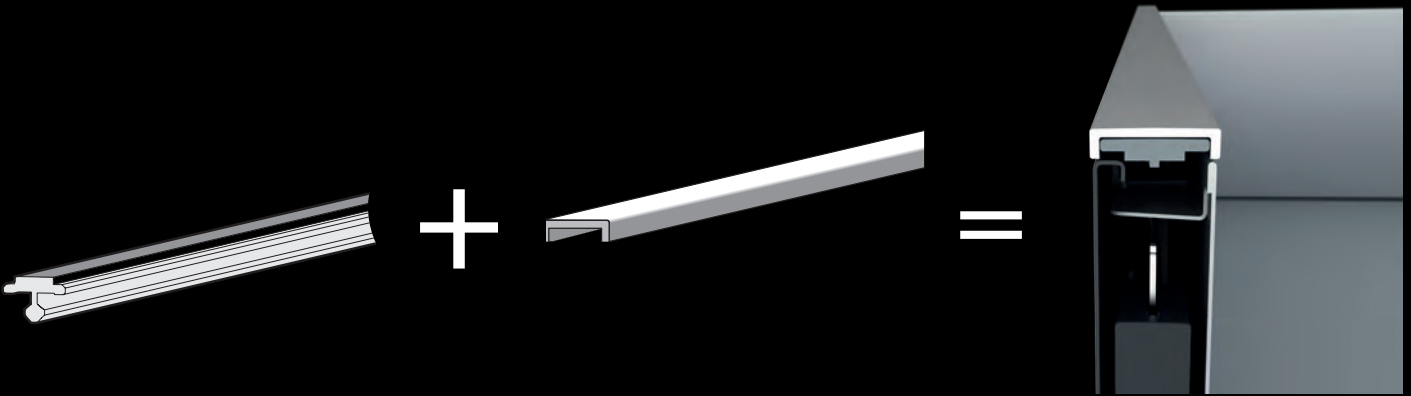
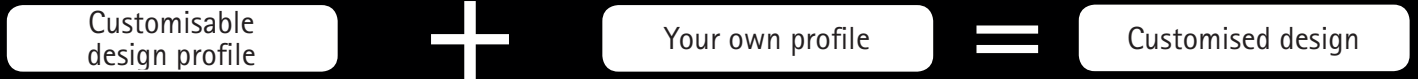
INDIVIDUAL



To avoid mistakes when gluing

- The finishes must be clean, dry and free of grease and dust.
- The surfaces must be completely dry before gluing.
- Press the adhesive pads firmly

Examples:



DESIGNCAPES

STANDARD

With the DesignCapes in the anodised aluminium and stainless steel looks, many accents can be created even within the standard product range. But here too, the AvanTech YOU platform offers further versatile customisation options if you do prefer your own materials and colour trends.



DesignCape

- ▶ For clipping on
- ▶ Length 2000 mm
- ▶ Aluminium

Set consists of:

- ▶ Aluminium profile
- ▶ Fixing material

TRENDCAPES

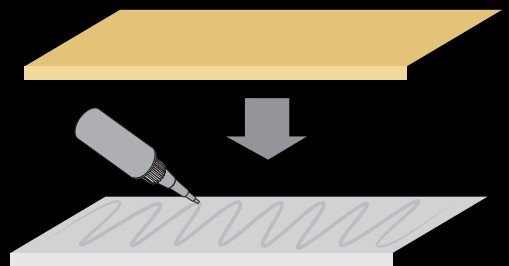
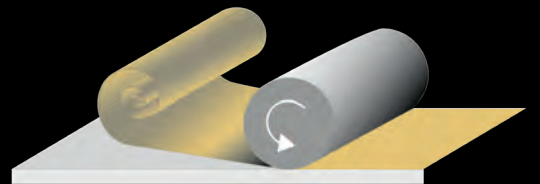
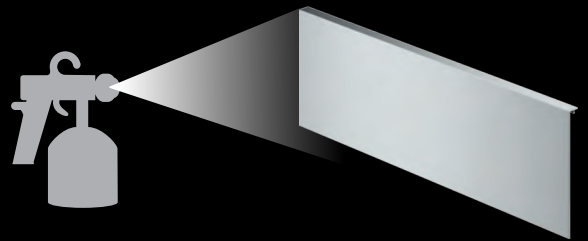
	Surface finish / order no.					PU
	Aluminium look	Stainless steel look	Oak Look	Hammerblow copper look	Concrete Look	
Nominal height mm						
101	9 257 643	9 257 647	9 283 217	9 283 218	9 283 219	1 set
187	9 257 645	9 257 649	9 283 221	9 283 223	9 283 224	1 set

INDIVIDUAL

How to implement it:

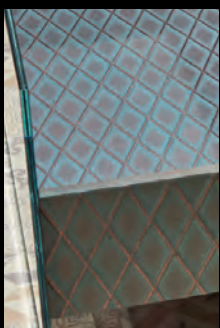
Use the aluminium cape for the production of your individual variant.

Nominal height mm	Surface finish/order no.	
	Aluminium look	PU
101	9 257 643	1 set
187	9 257 645	1 set



Solutions that will fascinate you

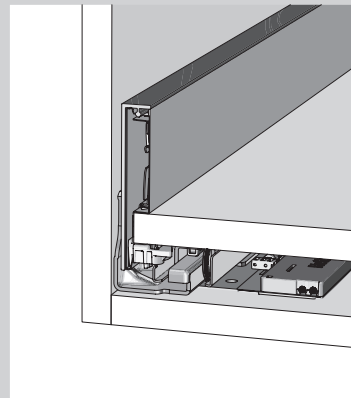
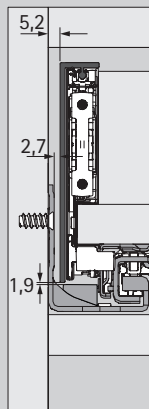
Set standards with outstanding product design and attract attention with special solutions. Everything is possible - and easy to implement.



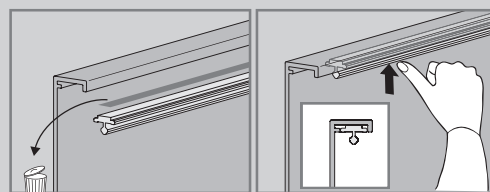
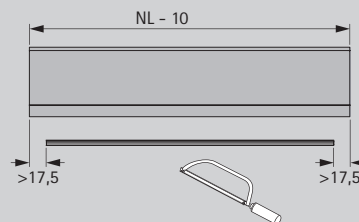
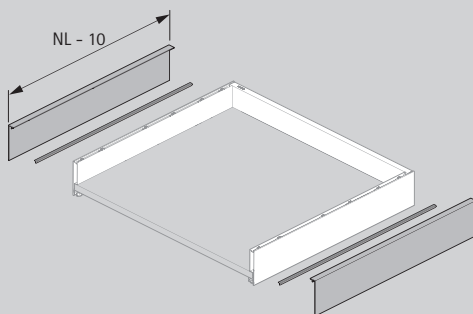
DESIGNCAPES

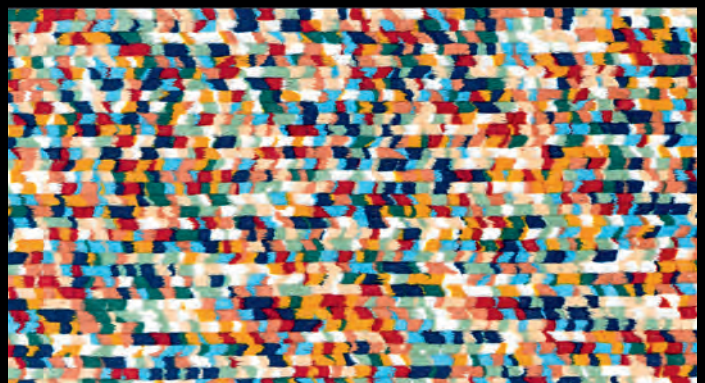
Attention to detail

Use these unconventional solutions to highlight your furniture by using the DesignCape on the outside of the drawer frame to create a contrast to the colour of the drawer. Or you can create a combination of front and drawer decor in colour and material with the DesignCape and continue the design of the furniture inside. Real wood veneers or foils, for example, enable exclusive drawer designs from AvanTech YOU.



1





2

NL	Adhesive pad
≤450	2
≥500	3

3

To avoid mistakes when gluing

- The finishes must be clean, dry and free of grease and dust.
- The surfaces must be completely dry before gluing.
- Press the adhesive pads firmly

4

5

AVANTECH YOU INLAY

STANDARD



Only the best solutions for personal preferences: whether glass in the standard finish or customised in a wide variety of materials, such as wood, stone or slate. If your material is 10 mm wide, everything is possible and you can use customised materials.

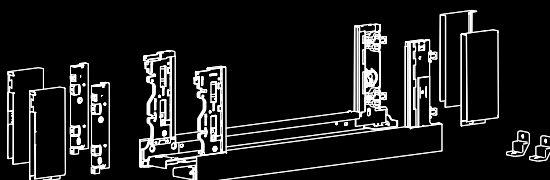
In the standard range we supply clear glass, with a thickness of 10 mm. However, you also have the option of using materials with a thickness of 8 mm.

Inlay drawer side profile set, height 187 mm

- ▶ Integrated vertical, lateral and tilt adjustment
- ▶ Steel, powder coated

Set comprises:

- ▶ 1 Inlay drawer side profile, left and right
- ▶ 2 caps, front, left and right
- ▶ 2 caps, rear, left and right
- ▶ 2 front connectors for inlay drawer side to screw on
- ▶ 2 rear panel stabilisers
- ▶ Fixing material



Nominal length mm	Surface finish / order no.			
	silver	white	Anthracite	PU
350	9 257 173	9 257 180	9 257 187	1 set
400	9 257 174	9 257 181	9 257 188	1 set
450	9 257 175	9 257 182	9 257 189	1 set
500	9 257 176	9 257 183	9 257 190	1 set
550	9 257 177	9 257 184	9 257 191	1 set
600	9 257 178	9 257 185	9 257 192	1 set
650	9 257 179	9 257 186	9 257 193	1 set

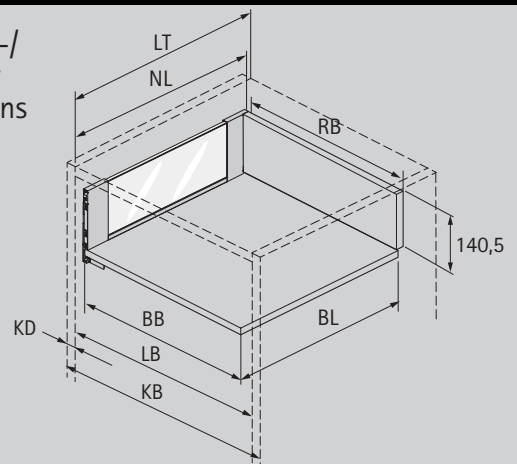
INDIVIDUAL

Making you strong

Create superior furniture design and open up new market segments with your own application solutions for bathroom, kitchen, living or store design. Do you want to use your own materials? This is also very easy to implement if you observe the following instructions.



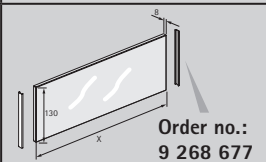
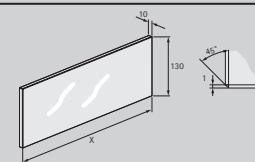
Planning-/
assembly
dimensions



Dimension		mm
BB	Bottom panel width	LB - 24
BR	Bottom length	NL - 21
KB	Cabinet body width	
RB	Rear panel width	LB - 24
NL	Nominal length	
KD	Cabinet body side thickness	
LB	Inside width	
LT	Clear internal depth	NL + 3
LT	Internal drawer	NL + 12
LT	Internal drawer Push to open Silent	NL + 21

10 mm

8 mm



Order no.:
9 268 677

NL mm	X mm	X mm
350	227	225
400	277	275
450	327	325
500	377	375
550	427	425
600	477	475
650	527	525



Hettich Technical Assistant
<https://www.hettich.com/short/f1d89a>

- ▶ Assembly
- ▶ Setup
- ▶ Service

YOUR STRONG PARTNERS

PARTNER SOLUTIONS

Optical material variety

Do you want your furniture to make an impression? Are you looking for a solution to get your own design variant without making it on your own? Even more finishes and design components are possible with Hettich partners. We have the right partners for you.



Customisation made easy - implement your own ideas in furniture design:
<https://web.hettich.com/index.php?id=2628&tL=1>



Technik für Möbel


Hettich