



PLEASE ENSURE YOU HAVE READ
AND FULLY UNDERSTOOD THIS
GUIDE BEFORE INSTALLATION!

TF2100 Thermofan Installation Guide

YOUR STEP-BY-STEP GUIDE TO
THE PERFECT INSTALLATION

thermofan
BATHROOM FAN HEATERS

Introduction

Please ensure you have thoroughly read and understood these instructions and the safety notes before commencing installation.

Retain this leaflet for future reference.

Before operating remove the packaging and check product integrity. In the case of defects or damages contact your dealer.

The TF2100 Fan Heater is designed to provide an instant heat source for bathrooms, kitchens and small rooms.

The safety and installation instructions must be followed accurately. Failure to do so will void the product warranty.



! IMPORTANT SAFETY REGULATIONS !**DO**

Ensure that the unit is installed correctly and complies with local electrical regulations

Ensure the that the unit is connected to 240V power supply

Switch the unit off and unplug if it is not to be used for a long period of time

When the unit is operating ensure that it is not in contact with plastic or synthetic surface

Ensure that there is nothing in front of the vent when the unit is operating

Before cleaning the unit ensure that the unit has cooled down

Ensure that a qualified electrician connects the unit to mains powers and repairs if necessary

Remove and clean the filter at least every 6 months

DO NOT

Use the unit in a commercial/industrial environment

Leave the unit operating when you leave your home

Leave children to touch or play with the unit

Cover the heater or hang anything over the heater while it is operating

Use in rooms with explosive gas or whilst using flammable solvents or glues

Clean the product with water when connected to power

Immerse the unit in water

Operate the appliance if the cord is damaged

Wind the cable around the unit while operating

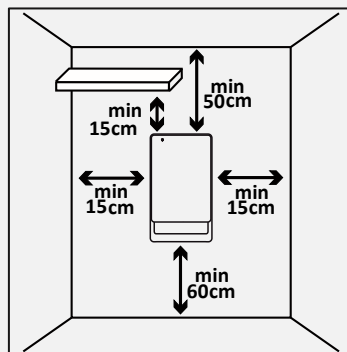
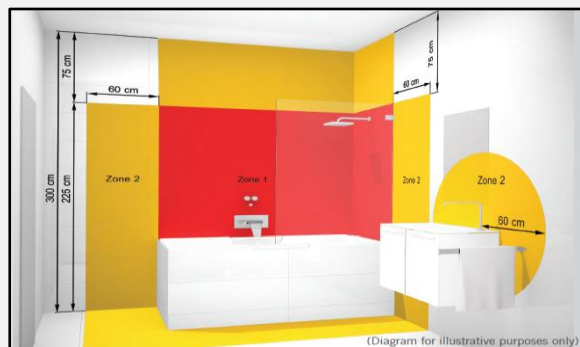
Leave the heater operating in small rooms if the room is unoccupied or the occupant is unable to leave the room or turn the unit off

Positioning

The TF2100 Bathroom Fan Heater is designed to be mounted on the wall in the vertical position.

The TF2100 has an IP rating of IP21 which means it can be used in bathrooms and areas subject to humidity as long as it is not installed within the perimeter of baths and showers. The Heater can be installed in Zones 2 and 3.

We recommend that the TF2100 Bathroom Heater is installed a minimum of 50cm from the roof and 180cm from the floor and 15cm from walls and other objects.



Installation

Loosen the two screws at the top, front of the Fan Heaters and remove front cover. Drill two 8mm diameter holes in the wall 190mm apart where you want the top of the unit to be positioned. Drill another 8mm diameter hole 115mm below in the center of the two top holes. Insert the three plastic wall plugs supplied with the unit, then screw two screws provided into the lower holes. Leave these screws protruding by 3mm.

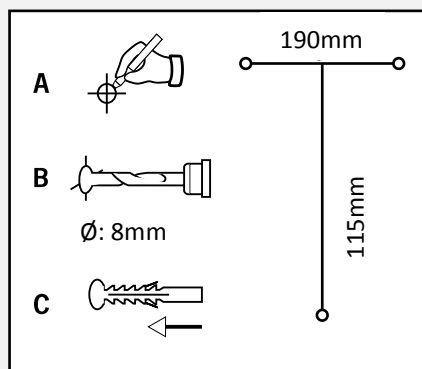
Hang the heater on these screws, ensuring a snug fit by tightening and loosening screws as necessary. Use the wall bracket to secure the heater by fitting the last screw into the upper hole.

Remove the fixing board from inside the heater. Thread the supply cable through the hole in the rear of the case. Then make connections to the supply terminals according to the colour code [Blue: Neutral, Brown: Live] ensuring no strands or whiskers are protruding from the terminals.

Secure the cable under the fixing board, taking care not to over tighten the screws.

Select the desired mode of operation using the switch. i.e. I= 1kW fixed heat, II= 1kW fixed heat + 1 kW variable thermostat controlled, set the thermostat to the mid position.

Close and secure the front cover and restore the power switch on.



Adjustment

Switch off the main power, then safely remove the two screws on the front of the case and remove the front cover.

Select the desired mode of operation using the switch. i.e. I= 1kW fixed heat, II= 1kW fixed heat + 1 kW variable thermostat controlled.

Turn the thermostat control clockwise to increase the room temperature and anti-clockwise to decrease.

Close the front cover and secure using the screws. Switch on the power supply.

Safety Control (Thermal Cut-Out)

This model has two levels of over-heat protection.

Thermal Cut-Out

This product is fitted with a thermal cut-out which, in the event that it malfunctions or overheats, the thermal cut-out switches the heater off automatically. When this happens, the heater will reset itself once the temperature has reduced sufficiently.

Thermal Fuse:

This Thermal fuse is added as an additional safety feature. This is a non-resettable switch which will require the unit to be returned to the supplier for a replacement.

The most common cause of over-heating is deposits of dust or fluff entering the heater. Ensure these deposits are removed regularly by electrically isolating the unit and vacuum clean the air vents and front grille.

The Controls

The in-built cut out on this appliance is a safety device which switches the heater off, if the operating temperature gets too hot.

The thermal fuse is an additional safety feature to cut out the power to the unit should it overheat.

The pull cord on the appliance operates the ON/OFF Switch (an indicator light illuminates when the appliance is on).

The heater has an internal thermostat which should be set during installation, the thermostat has 3 different settings:

1= Low 2= Med 3= High

This gives you an approximate temperature range of between 0°C and 85°C.

Care and Cleaning

The electric heater should be cleaned regularly.

Disconnect electricity supply and allow heater to cool, wipe the surface clean with a soft damp cloth. Do NOT use detergents or abrasives.

IMPORTANT: Any cut off plug should be disposed of safely to prevent a hazard. There is a danger of electric shock if a cut off plug is inserted into a socket outlet.

SPECIFICATIONS: TF2100

RATING: 2000W; 240V; ~50Hz

OPERATING TEMPERATURE: 0°C – 85°C

DIMENSIONS: W237 x H244.5 x D130mm

Warranty

Thermogroup covers all its products with a satisfaction guarantee. In addition, Thermogroup will supply a replacement product where a fault is shown to be caused by manufacture, materials or workmanship providing the goods have been installed correctly and according to installation instructions. This guarantee does not include removal, freight or installation costs. Thermogroup's products come with guarantees that cannot be excluded under Australian Consumer Law and you are entitled to a replacement or refund for a major failure & compensation for any other reasonable foreseeable loss or damage. You are also entitled to have the goods repaired or replaced if the goods fail to be of acceptable quality and the failure does not amount to a major failure.

The TF2100 Fan Heater has a 2-year warranty. To use the warranty, repair or service the customer must provide purchase invoice/receipt, and any other relevant details.

If the product develops a fault within the warranty period due to normal wear and tear, Thermogroup at its discretion will recognise whether it's a faulty product or not. If it is impossible or not economical for the manufacturer to repair the product, the manufacturer will replace the faulty product with a new unit of the same model or if there is no stock available of the same model as the product, the manufacturer will replace the product with a new unit of a similar size. No responsibility can be taken for altered dimensions and lining up of existing holes.

The repair service offered within the warranty period only covers the faults and problem as developed from the manufacturer's errors. Any damage caused by improper use or carelessness or incorrect wiring is not covered.

Thermogroup is not responsible for any monetary loss or injuries caused by improper use of this product.

CONTACT US ONLINE



Browse our full product range, watch videos, download product literature and get a quote all on the Thermogroup website.

WWW.THERMOGROUP.COM.AU

CONTACT US BY PHONE



Got a question or query? Call our support line.

Open 07:30 – 17:00 Mon – Fri

1300 368 631

CONTACT US BY MAIL



Need to find us or want to write a letter to say hello? Feel free to contact us.

**Thermogroup, 19 Ridley Avenue
LEETON NSW 2705**

Thermogroupau



Thermogroup
19 Ridley Avenue
LEETON NSW 2705
1300 368 631

sales@thermogroup.com.au
www.thermogroup.com.au
E&OE © Thermogroup 2016