



**Titus**  
Tekform

## Stefano Orlati Handleless Solutions CAPRI Profile Range

Stefano Orlati 

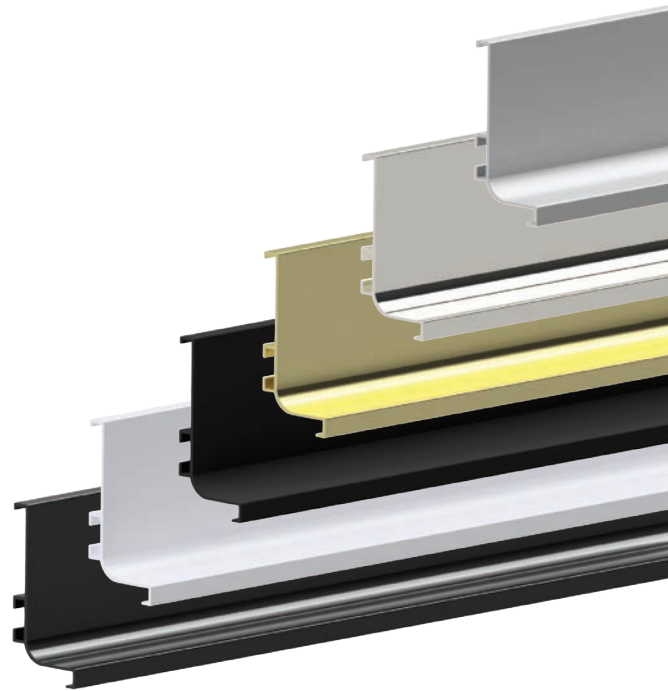
# Design your kitchen completely handle free



The CAPRI Profiles offer a practical way to design a European-style handleless kitchen, with solutions for base, wall and tower cabinets.

All CAPRI profiles are manufactured from aluminium with high quality anodized finishes and are 100% recyclable. Choose from J, C, C-LED, Y, R and N shaped profiles in the following finishes: Foggy Silver, Titanium Grey, Chrome, Matt Black, Matt White and Gold. Create extra ambiance in your space using LED strip lights, built into the profile with a diffuser strip.

- European style handleless kitchen
- 6 profile options in 6 different finishes
- Solutions for base, wall and tower cabinets
- Quick and easy cleaning



Foggy Silver (FS)



Titanium Grey (TG)



Chrome (C)



Matt Black (MB)



Matt White (MW)



Gold (G)

# CAPRI Handleless Profiles

---

## Full Door and Top Drawer Solutions

J-Profile



## Drawer Cabinet Solutions

C-Profile



C-LED-Profile



## Wall Cabinet Solutions

R-Profile



## Shelf Protection

N-Profiles



## Tower Cabinets / Vertical Installation

Y-Profile



# Six styles and finishes to suit your kitchen

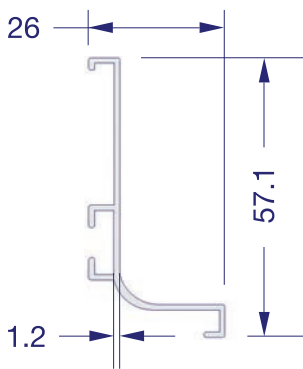


# CAPRI-J Profiles



- Create handleless openings for doors and top drawers
- Horizontal mounting
- Available in six on-trend finishes

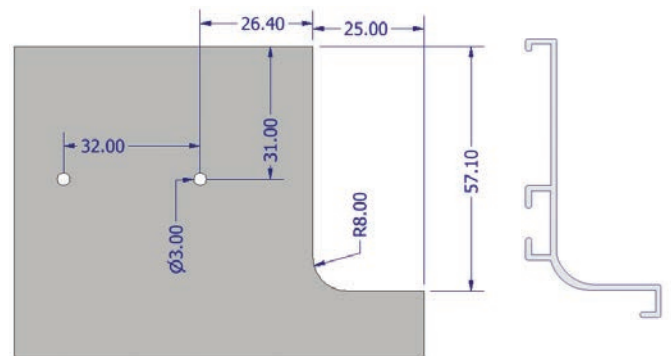
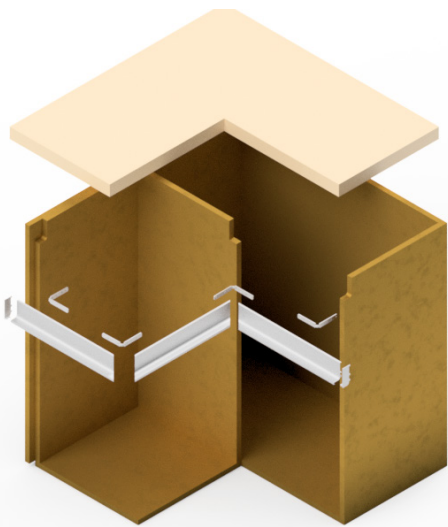
## Technical Details



| Length | Height | Depth | Finish | Item Number      |
|--------|--------|-------|--------|------------------|
| 3600   | 57.1   | 26    | FS     | 608.8U10.360.001 |
| 3600   | 57.1   | 26    | C      | 608.8U10.360.007 |
| 3600   | 57.1   | 26    | MB     | 608.8U10.360.010 |
| 3600   | 57.1   | 26    | MW     | 608.8U10.360.013 |
| 3600   | 57.1   | 26    | TG     | 608.8U10.360.015 |
| 3600   | 57.1   | 26    | G      | 608.8U10.360.017 |

Order end caps and bracket separately  
 → See pages 13 & 14

## Installation



The quoted dimension considers that the CAPRI profile will have a 1mm overhang. In the case that the CAPRI profile must be flush with the cabinet sides, the quoted dimensions must be increased by 1mm.

# Quick and easy cleaning and maintenance

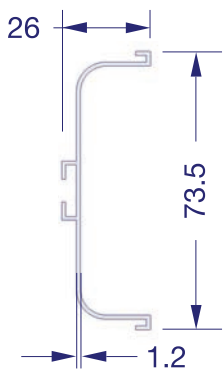


# CAPRI-C Profiles



- Create handleless openings for drawers
- Horizontal mounting
- Available in six on-trend finishes

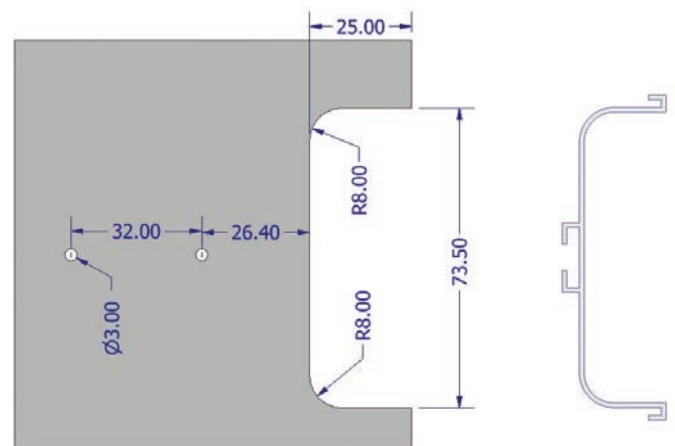
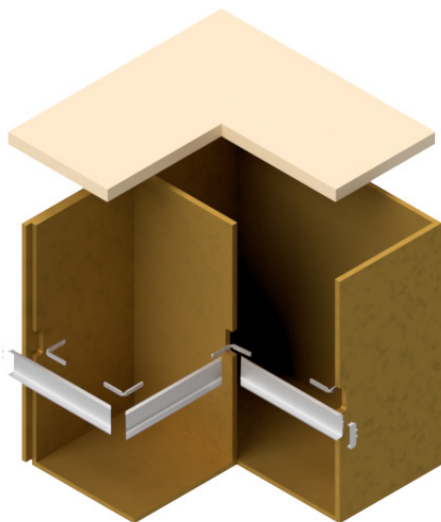
## Technical Details



| Length | Height | Depth | Finish | Item Number      |
|--------|--------|-------|--------|------------------|
| 3600   | 73.5   | 26    | FS     | 608.8U08.360.001 |
| 3600   | 73.5   | 26    | C      | 608.8U08.360.007 |
| 3600   | 73.5   | 26    | MB     | 608.8U08.360.010 |
| 3600   | 73.5   | 26    | MW     | 608.8U08.360.011 |
| 3600   | 73.5   | 26    | TG     | 608.8U08.360.013 |
| 3600   | 73.5   | 26    | G      | 608.8U08.360.015 |

Order end caps and bracket separately  
 ↳ See pages 13 & 14

## Installation



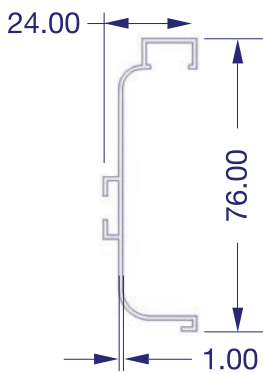
The quoted dimension considers that the CAPRI profile will have a 1mm overhang. In the case that the CAPRI profile must be flush with the cabinet sides, the quoted dimensions must be increased by 1mm.

# CAPRI-C LED Profiles



- Integrated LED profile and strip
- Create handleless drawer openings with integrated strip lighting.
- Horizontal mounting
- Available in six on-trend finishes

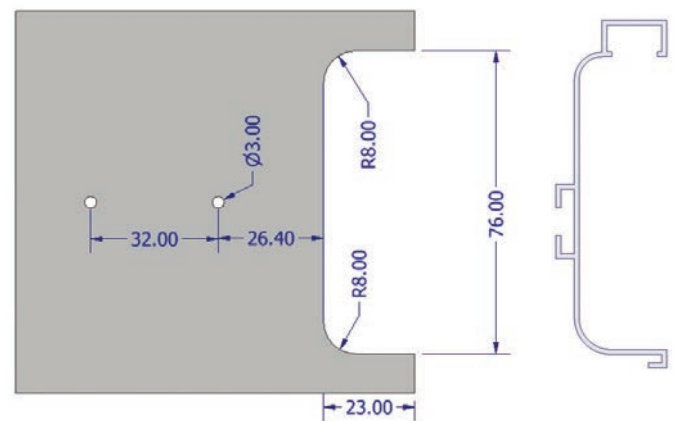
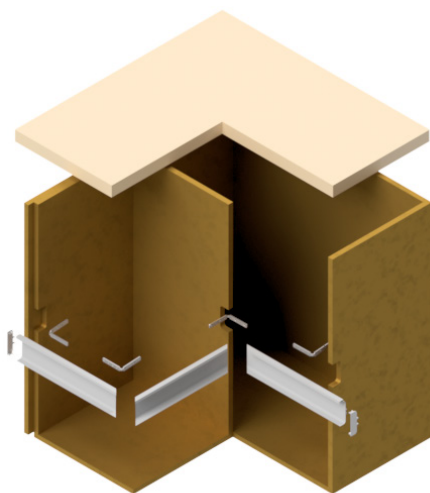
## Technical Details



| Length | Height | Depth | Finish | Item Number      |
|--------|--------|-------|--------|------------------|
| 3600   | 76     | 24    | FS     | 608.8U09.360.001 |
| 3600   | 76     | 24    | C      | 608.8U09.360.007 |
| 3600   | 76     | 24    | MB     | 608.8U09.360.010 |
| 3600   | 76     | 24    | MW     | 608.8U09.360.011 |
| 3600   | 76     | 24    | TG     | 608.8U09.360.013 |
| 3600   | 76     | 24    | G      | 608.8U09.360.015 |

Order end caps and bracket separately  
 → See pages 13 & 14

## Installation



The quoted dimension considers that the CAPRI profile will have a 1mm overhang. In the case that the CAPRI profile must be flush with the cabinet sides, the quoted dimensions must be increased by 1mm.



**Create ambiance with  
integrated strip lighting**

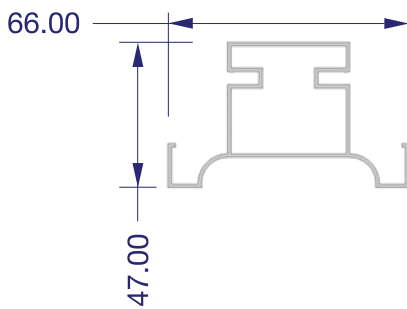


# CAPRI-Y Profiles



- Create handleless openings for tower cabinets
- Vertical mounting between cabinets
- Available in six on-trend finishes

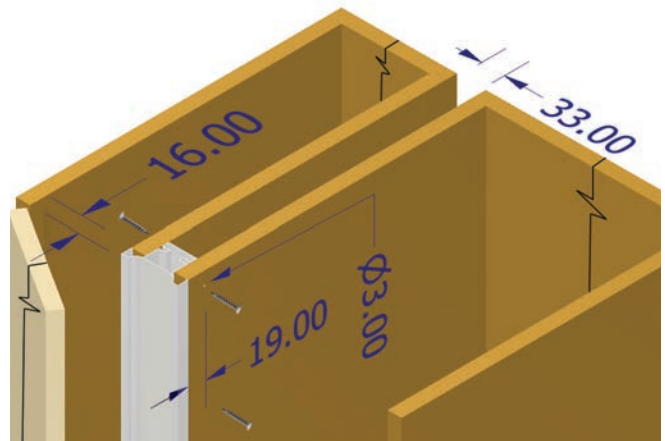
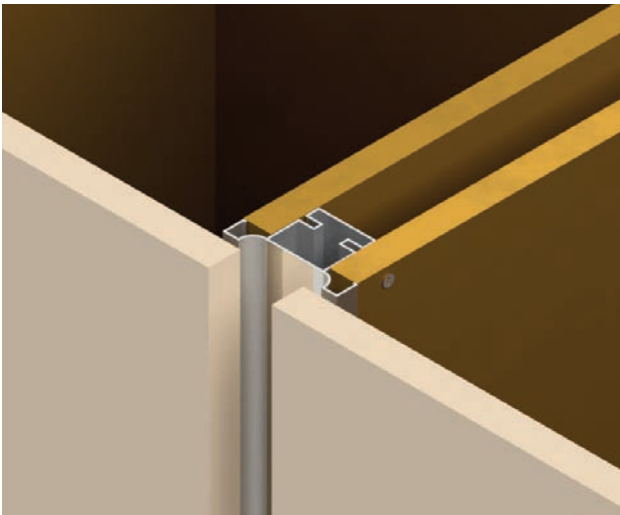
## Technical Details



| Length | Height | Depth | Finish | Item Number      |
|--------|--------|-------|--------|------------------|
| 2400   | 66     | 47    | FS     | 608.8U16.360.001 |
| 2400   | 66     | 47    | C      | 608.8U16.360.007 |
| 2400   | 66     | 47    | MB     | 608.8U16.360.010 |
| 2400   | 66     | 47    | MW     | 608.8U16.360.011 |
| 2400   | 66     | 47    | TG     | 608.8U16.360.013 |
| 2400   | 66     | 47    | G      | 608.8U16.360.015 |

Order bracket separately  
 → See page 14

## Installation



A modern kitchen featuring white wall and base cabinets, a wood slat backsplash, and dark tower cabinets. The scene includes a double sink with a chrome faucet, a countertop with a vase of greenery, and under-cabinet lighting. A dark grey floor with a white grid pattern is visible at the bottom.

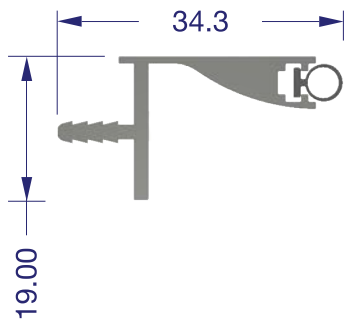
## Solutions for base, wall and tower cabinets

# CAPRI-R Profiles



- Create handleless openings for wall cabinets
- Horizontal mounting
- Available in six on-trend finishes

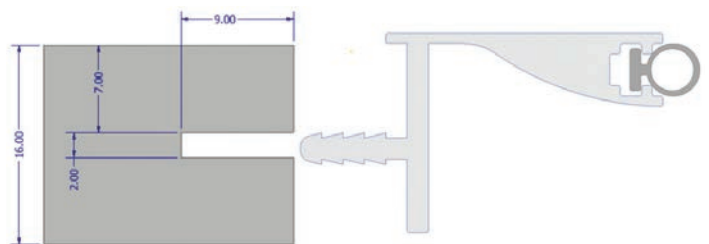
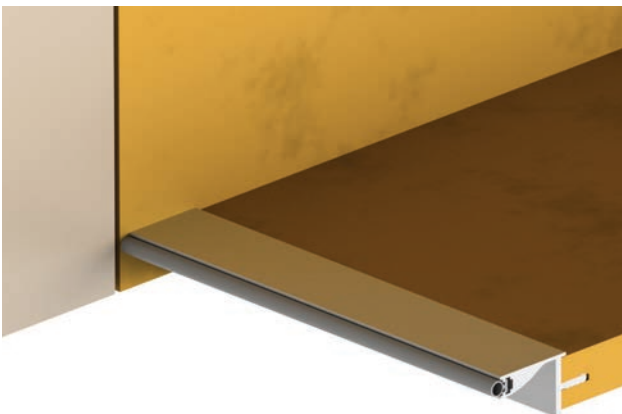
## Technical Details



| Length | Height | Depth | Finish | Item Number      |
|--------|--------|-------|--------|------------------|
| 3600   | 19     | 34.3  | FS     | 608.8U14.360.001 |
| 3600   | 19     | 34.3  | C      | 608.8U14.360.007 |
| 3600   | 19     | 34.3  | MB     | 608.8U14.360.010 |
| 3600   | 19     | 34.3  | MW     | 608.8U14.360.011 |
| 3600   | 19     | 34.3  | TG     | 608.8U14.360.013 |
| 3600   | 19     | 34.3  | G      | 608.8U14.360.015 |

Order bracket separately  
 ↳ See page 14

## Installation



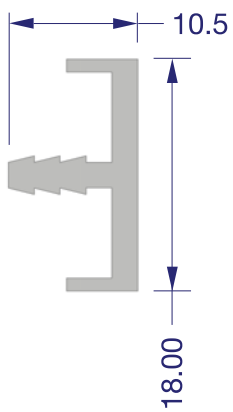
\* Note: Can be used on 16mm and 18mm board.  
 Dimensions are still 9mm from top to top of cutout.

# CAPRI-N Profiles



- Shelf edge protection
- Horizontal mounting
- Available in six on-trend finishes

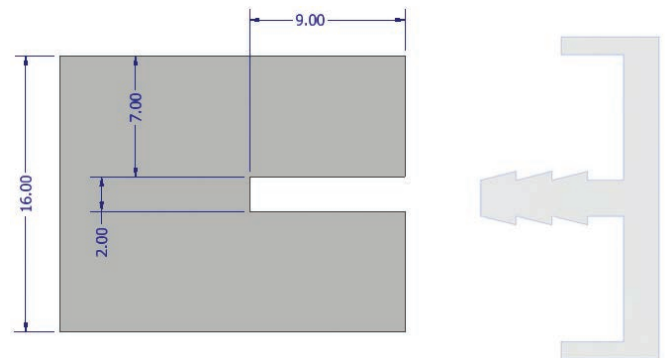
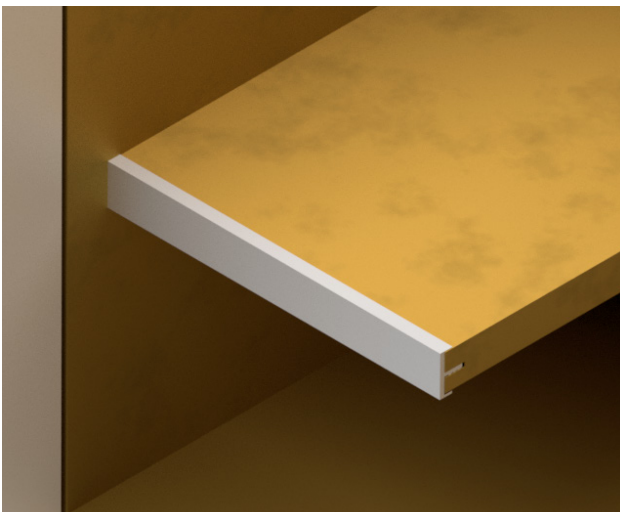
## Technical Details



| Length | Height | Depth | Finish | Item Number      |
|--------|--------|-------|--------|------------------|
| 3600   | 18     | 10.5  | FS     | 608.8U12.360.001 |
| 3600   | 18     | 10.5  | C      | 608.8U12.360.007 |
| 3600   | 18     | 10.5  | MB     | 608.8U12.360.010 |
| 3600   | 18     | 10.5  | MW     | 608.8U12.360.011 |
| 3600   | 18     | 10.5  | TG     | 608.8U12.360.013 |
| 3600   | 18     | 10.5  | G      | 608.8U12.360.015 |

Order bracket separately  
 → See page 14

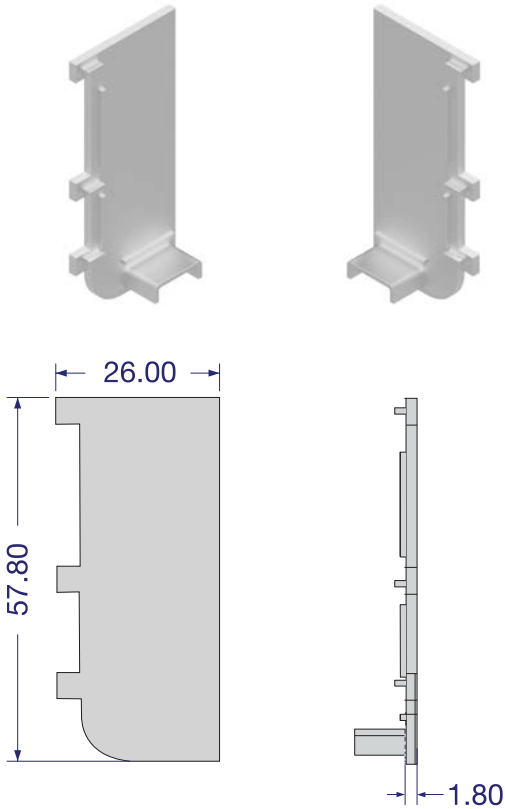
## Installation



\* Note: N Profile only suits 16mm board.

# CAPRI Profile End Caps

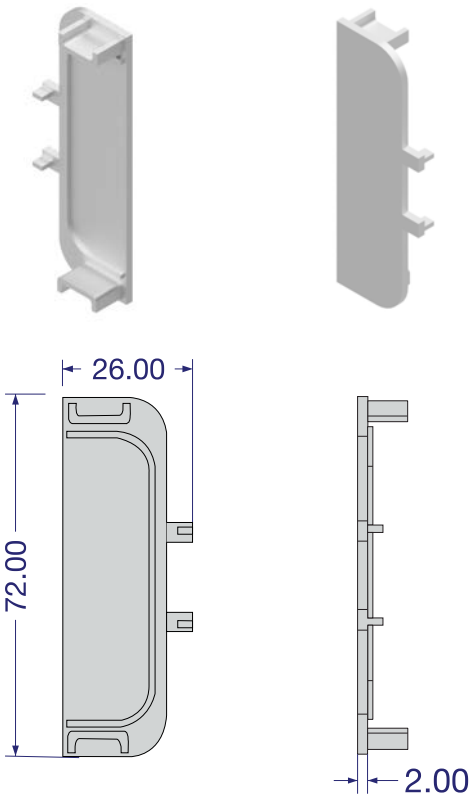
## CAPRI-J End Caps



- Right and Left handed end caps
- Use with CAPRI-J profiles

| Handling | Finish | Item Number      |
|----------|--------|------------------|
| Left     | FS     | 608.8U17.056.001 |
| Right    | FS     | 608.8U17.057.001 |
| Left     | C      | 608.8U17.056.007 |
| Right    | C      | 608.8U17.057.007 |
| Left     | MB     | 608.8U17.056.010 |
| Right    | MB     | 608.8U17.057.010 |
| Left     | MW     | 608.8U17.056.011 |
| Right    | MW     | 608.8U17.057.011 |
| Left     | TG     | 608.8U17.056.013 |
| Right    | TG     | 608.8U17.057.013 |
| Left     | G      | 608.8U17.056.015 |
| Right    | G      | 608.8U17.057.015 |

## CAPRI-C End Caps



- Universal end caps, un-handed
- Use with CAPRI-C and CAPRI-C LED profiles

| Handling  | Finish | Item Number      |
|-----------|--------|------------------|
| Universal | FS     | 608.8U17.073.001 |
| Universal | C      | 608.8U17.073.007 |
| Universal | MB     | 608.8U17.073.010 |
| Universal | MW     | 608.8U17.073.011 |
| Universal | TG     | 608.8U17.073.013 |
| Universal | G      | 608.8U17.073.015 |

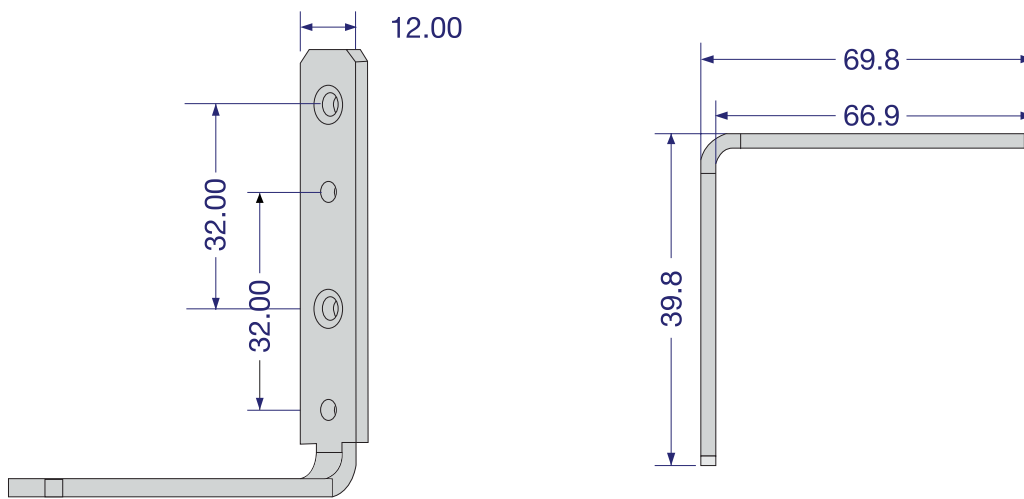
# CAPRI Profile Mounting Bracket



- Universal mounting bracket for CAPRI profile range
- Simple 3 step mounting process

| Handling  | Item Number      |
|-----------|------------------|
| Universal | 608.8U17.073.001 |

## Technical Details



## Mounting Details

①



Pre-drill carcase side

②



Attach bracket to carcase side using 2 x 3.5 x 13mm chipboard screws.

③



Attach bracket to the profile using screws and washers provided and tighten.



#### **Titus Tekform Australia**

[www.titustekform.com.au](http://www.titustekform.com.au)

[info@titustekform.com.au](mailto:info@titustekform.com.au)

#### **Stefano Orlati New Zealand**

[www.stefano-orlati.com](http://www.stefano-orlati.com)

[stefano-orlati@titusplus.com](mailto:stefano-orlati@titusplus.com)

#### **Connect with us**

 [LinkedIn.com/company/titustekform](https://www.linkedin.com/company/titustekform)

 [Instagram.com/titustekform](https://www.instagram.com/titustekform)

 [Pinterest.com/titustekform](https://www.pinterest.com/titustekform)

 ["Titus Tekform"](#)