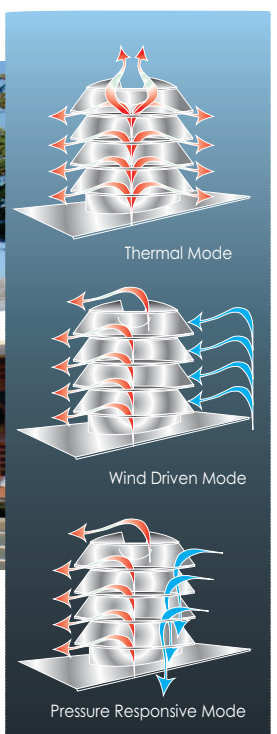




WINDTOWER BY CONDOR



Breakthrough Motionless Technology for High Performance Roof Ventilation
With no moving parts, the silent, pressure responsive multi venturi Wind Tower is a non aging solution requiring zero operational maintenance

The Australian made WindTower, fabricated in stainless steel with a 25 year warranty, is suitable for cyclonic regions, and also offers options such as air flow control systems and BAL solutions for high fire risk situations. Colour coded residential solutions, suited to a myriad of specialised situations are also included in the range.

Contact Condor Kinetic on 04 2114 1105 or email: info@ckv.com.au

The WindTower is a motionless pressure responsive, air volume displacement portal, able to perform in all weather conditions in any and all geographic locations.

The multi venturi configuration redirects external air currents drawing the internal volume up and out efficiently.

Easy to install and requires no additional structural steel work



NSW University of Performing Arts

Used in

- ▶ Foundries
- ▶ Schools / Universities
- ▶ Warehouses
- ▶ Grain Storage Silos
- ▶ Conveyor Lines
- ▶ Indoor Pools & Spas
- ▶ Evaporative Cooling Relief
- ▶ Indoor Sporting Complexes
- ▶ Entertainment Centres
- ▶ Fire and Smoke relief



University Capetown - South Africa



52 Overlord Place - Acacia Ridge - Queensland 4110

Telephone 04 2114 1105

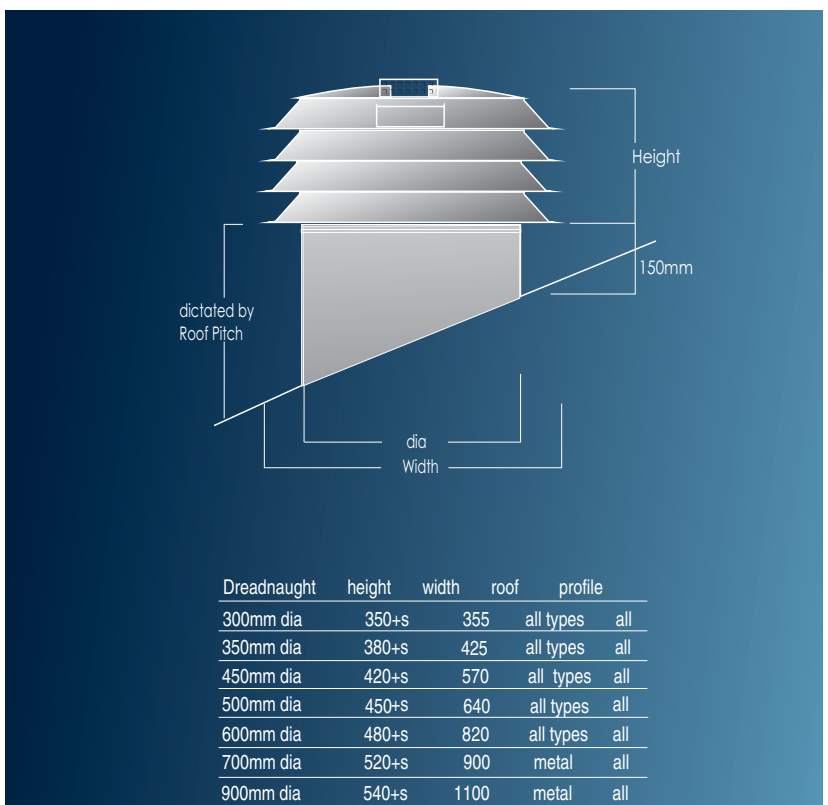
Implementation:

The use of WindTower(s) as per location, and number of, is defined by efficiency of ingress into, and height of, building.

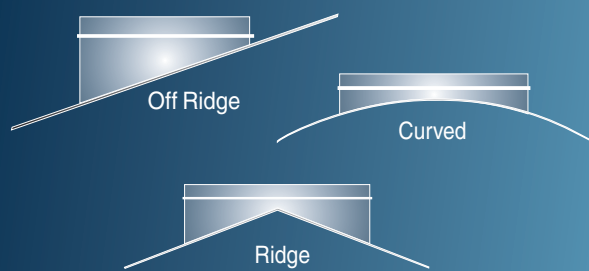
Activity within the area is also a consideration regarding heat and detrimental (toxic) emissions so as to derive maximum benefit.

The WindTower system moves away from the antiquated inefficient 'air change' approach of the past and designed instead to preserve desirable comfort levels where possible.

The Windtower(s) are an integral part of the building design itself and not mere appendages requiring ongoing service and eventual replacement.



Roof Base Mount & Flashing Configuration - custom fabrication

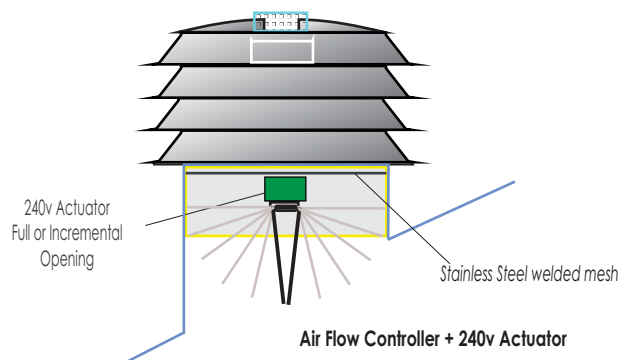


Specifications:

Roof Ventilators shall be Condor Windtower (size) manufactured by Condor Ventilation with custom mounting to (pitch & type) roof and colour to be installed only as per manufacturers specifications.

Optional:

Air Flow Controller with 240v d/o, d/c Siemens rotary actuator as supplied by Condor



Actuator: Siemens 240v d/o, d/c
Torque: 5 & 10 nM
Type: Rotary
Amperage: 2 & 3va

Type: Cartridge Style, Butterfly
Dimensions: to suit ventilator throat

Unit is installed from roof into throat of base spigot

