

**Perforum[®]
Suite**
**The Apex
of Office
Suites**

Perforum Suite

Truly an inspiring system, the Perforum suite is in a class of its own. It breathes innovation and creativity into any office environment.

Featuring sharp and obscured edges, the shadow line and flush finish option confirms its superiority. A suite that will enhance your business image through its fresh and individualised appearance.

Specifications and photos of the Perforum 90 suite are contained within this brochure.

Take a look inside and discover 'the apex of office suites'.

Perforum 90

The apex of office suites.

Perforum 90 provides a vast range of options for the creative designer.

Architectural influence is interwoven into the design of this suite, allowing an expression of individuality at every junction.

The choice is yours from a broad range of glazing effects to shadowlines and flush in details. Consistent shadow lines are emphasised and form a continuous line that carries around the door, window frames and skirting.

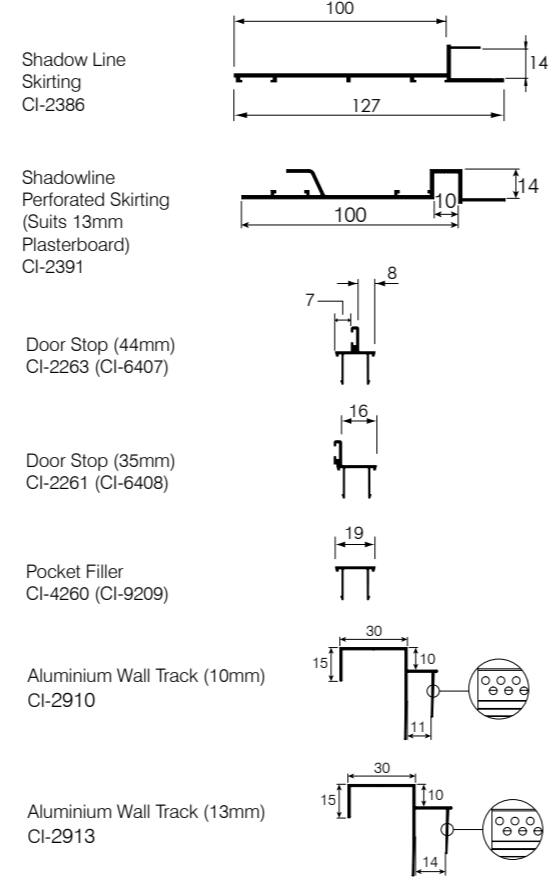
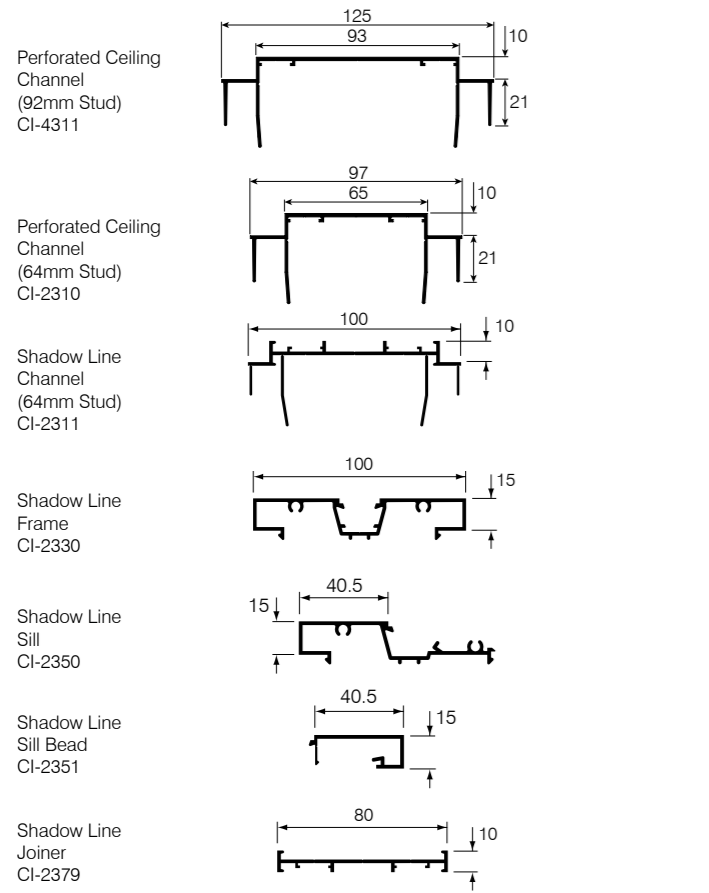
Features of Perforum 90

- 13mm plasterboard, 64mm stud
- 100mm recessed skirting
- Consistent shadow line to ceiling that flows throughout plaster walls and glazing areas
- 90mm wall that offers acoustic performance
- Estimated sound rating for solid plasterboard walls:
 - RW 35 (without insulation)
 - RW 40 (with CAB3 Polyester insulation)
- Shadow line between vertical and horizontal mullions
- Minimal aluminum surface: CI-2330 Shadow Line Frame – 15mm edge profile
- Accepts 6mm -10mm glass thickness
- Incorporates 35mm - 44mm door thickness
- Glazing pocket designed to accept captive wedge or silicone glazing



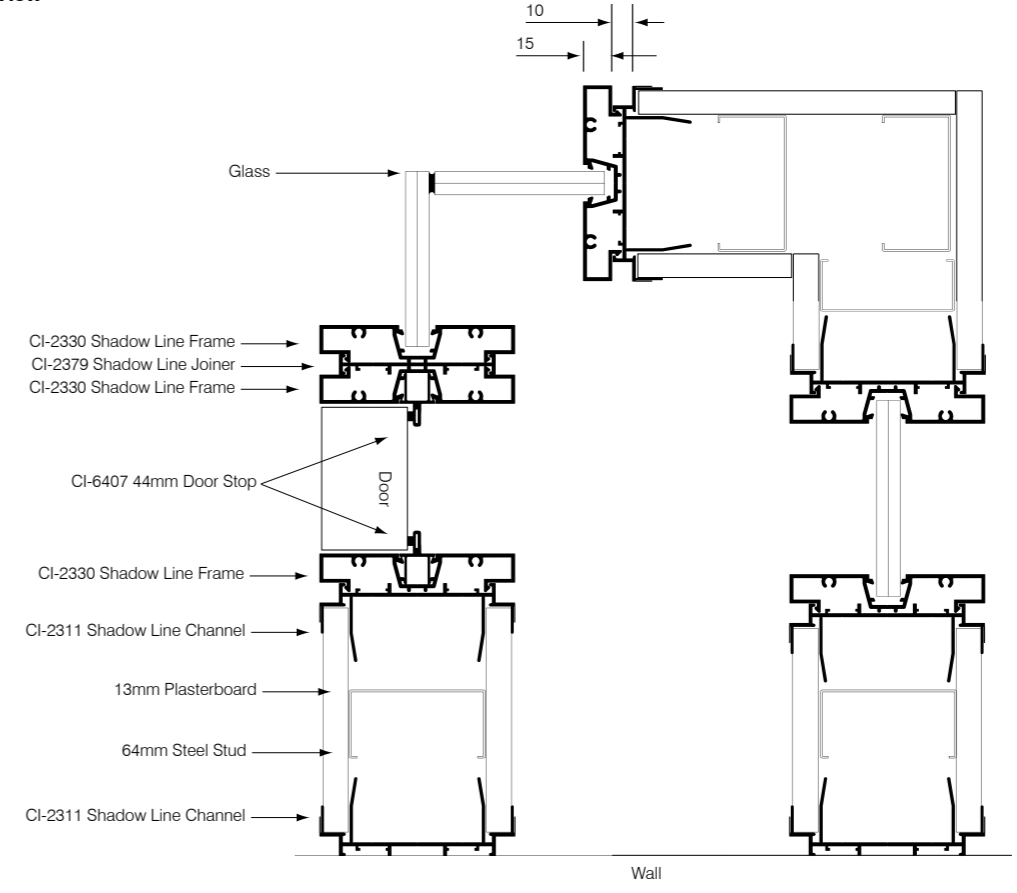
Perforum 90

To suit 64mm Studs / 13mm Plasterboard

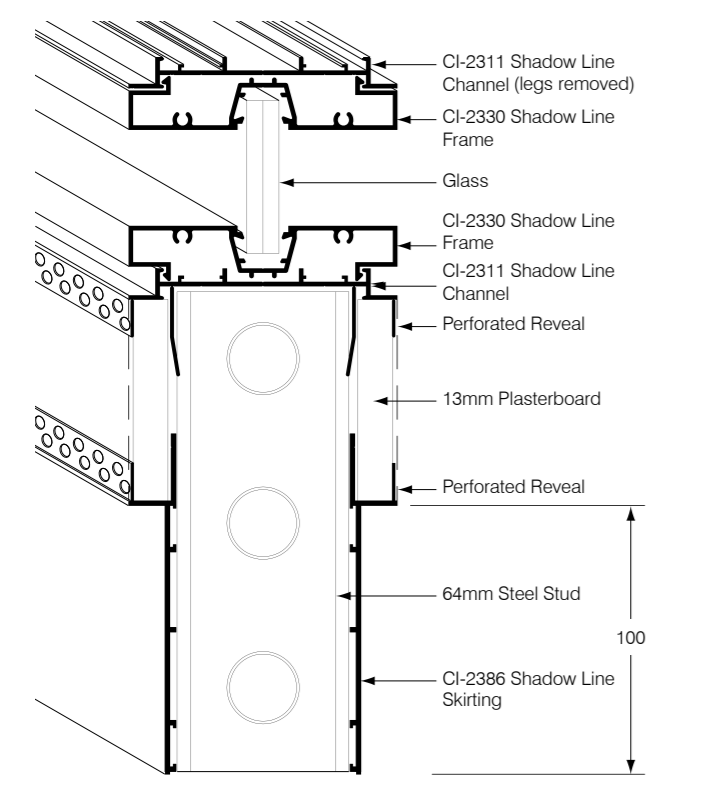


Perforum 90

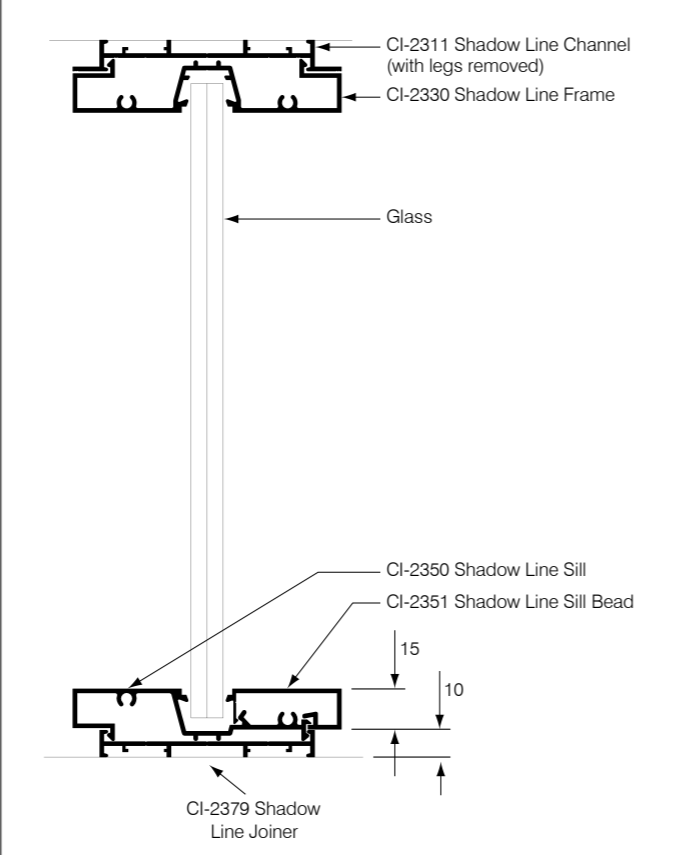
Plan View



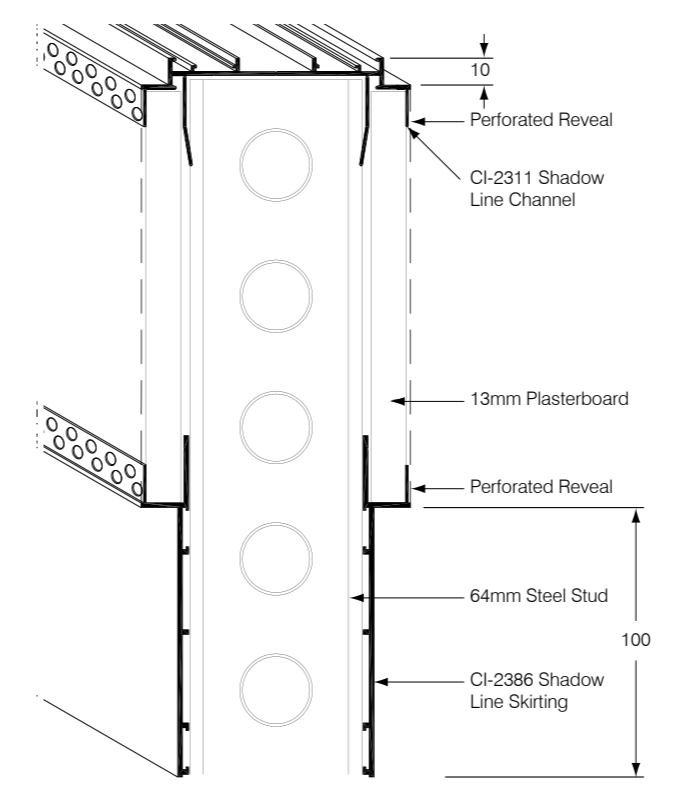
Half Height Glazing Elevation



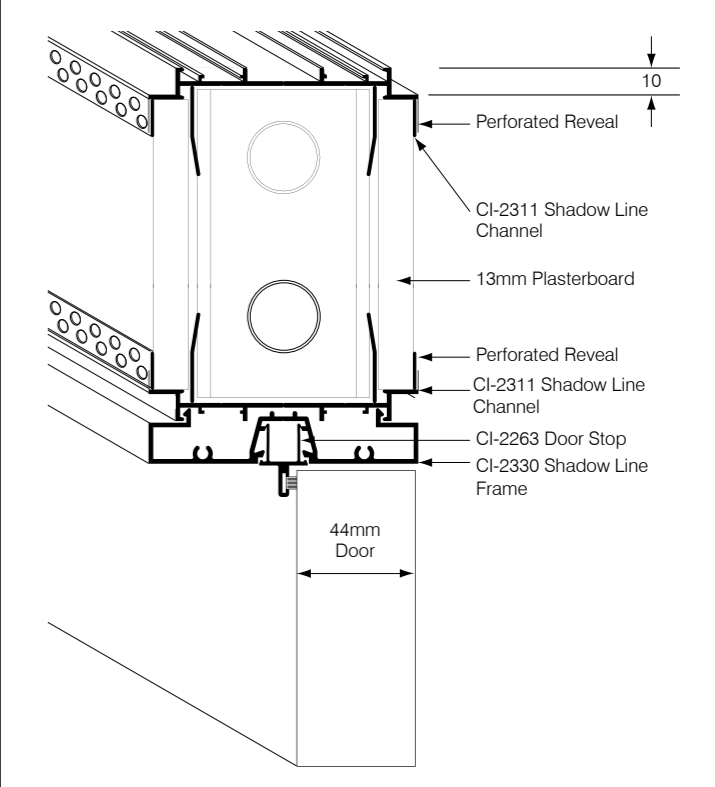
Full Height Glazing Elevation



Full Height Plasterboard Elevation



Plaster above Door Elevation



Criterion Industries (VIC)

15 Corporate Place
Broadmeadows VIC 3047

Telephone 03 9355 0700
Facsimile 03 9355 0777

sales@criterionindustries.com.au
www.criterionindustries.com.au

Criterion Industries (NSW)

95 Victoria Street
Smithfield NSW 2164

Telephone 02 9355 0700
Facsimile 02 9355 0777

sales.nsw@criterionindustries.com.au
www.criterionindustries.com.au

Criterion Industries (WA)

58 Tacoma Circuit
Canning Vale WA 6155

Telephone 08 9355 0700
Facsimile 08 9355 0702

sales.wa@criterionindustries.com.au
www.criterionindustries.com.au