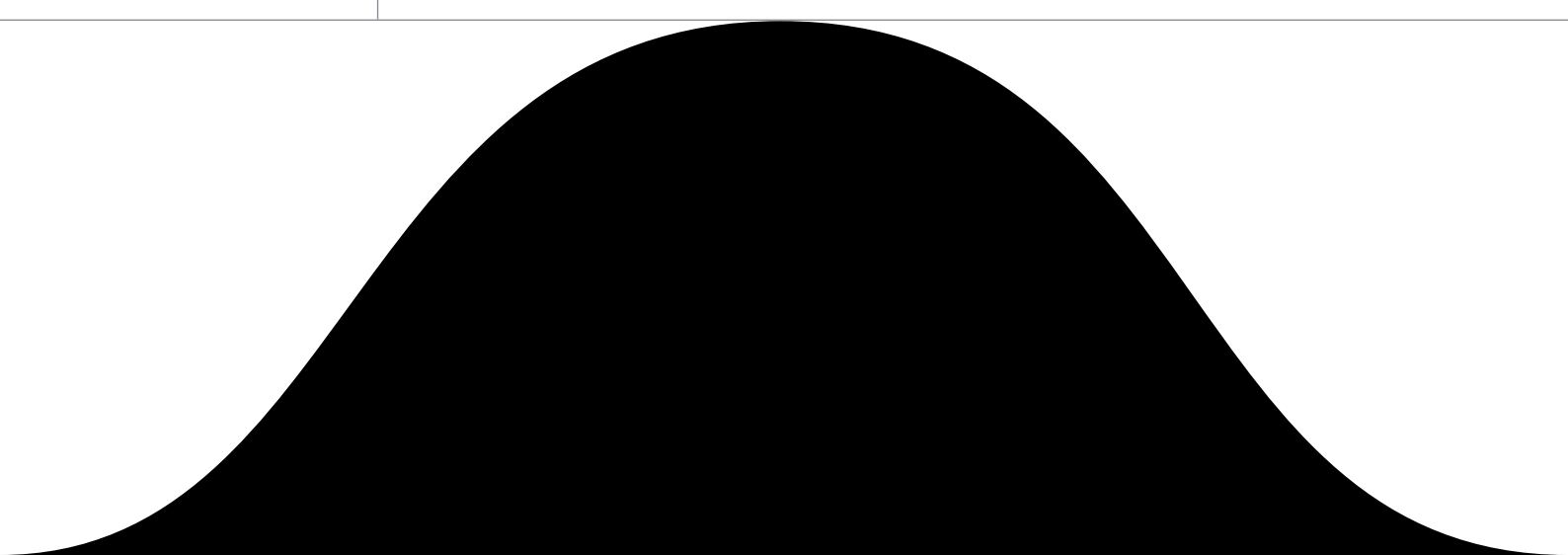


# DECORMETL INSTALLATION GUIDELINES



# CONTENTS

## SNAP ON

3D ————— 3

2D ————— 4

## INVISILOCK

3D ————— 5

2D ————— 6

## LAY ON

3D ————— 7

2D ————— 8

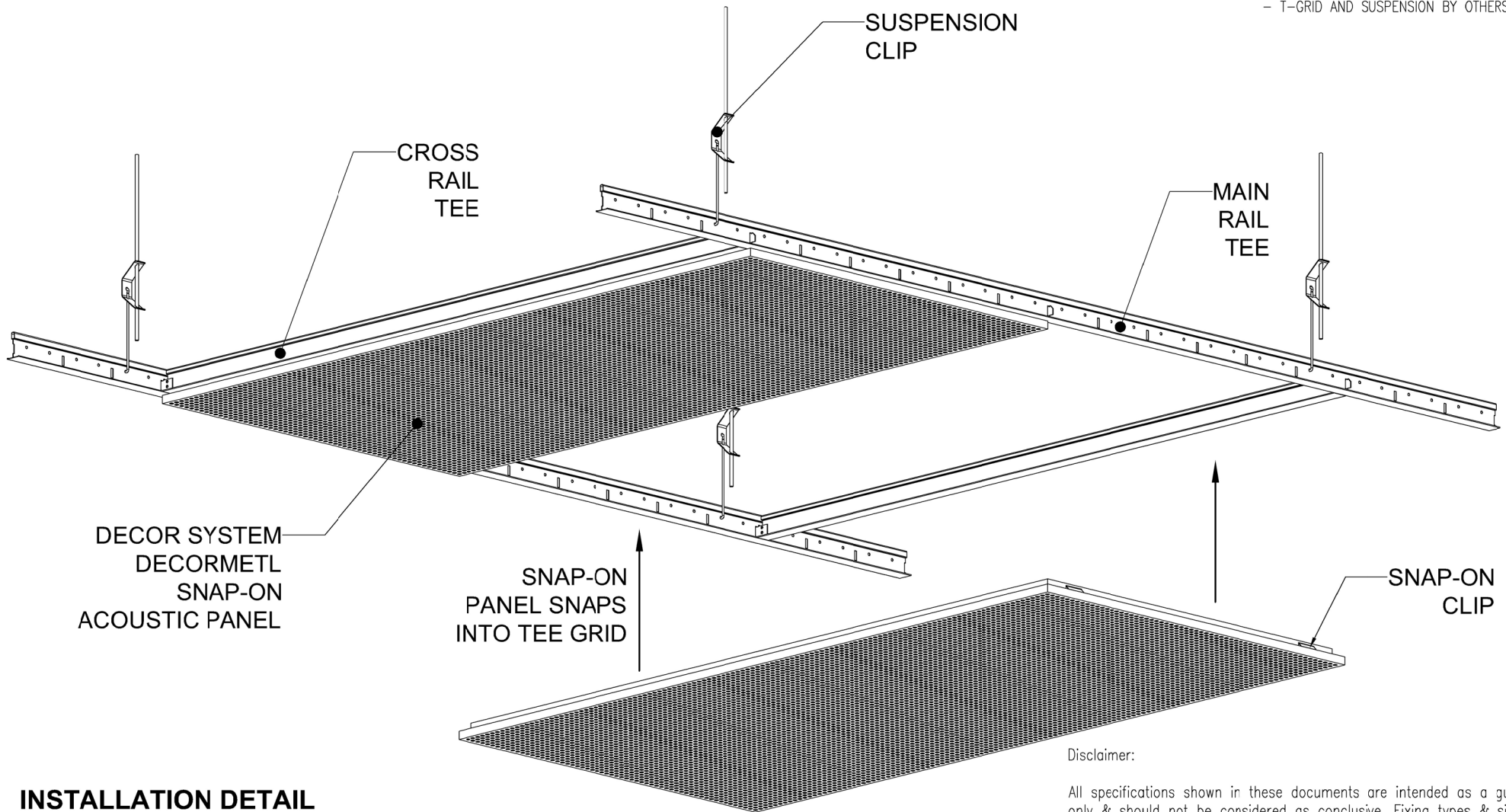
## FACE FIX

3D ————— 9

2D ————— 10

GET IN TOUCH ————— 11

FRAMING:  
- T-GRID AND SUSPENSION BY OTHERS



## INSTALLATION DETAIL

### Disclaimer:

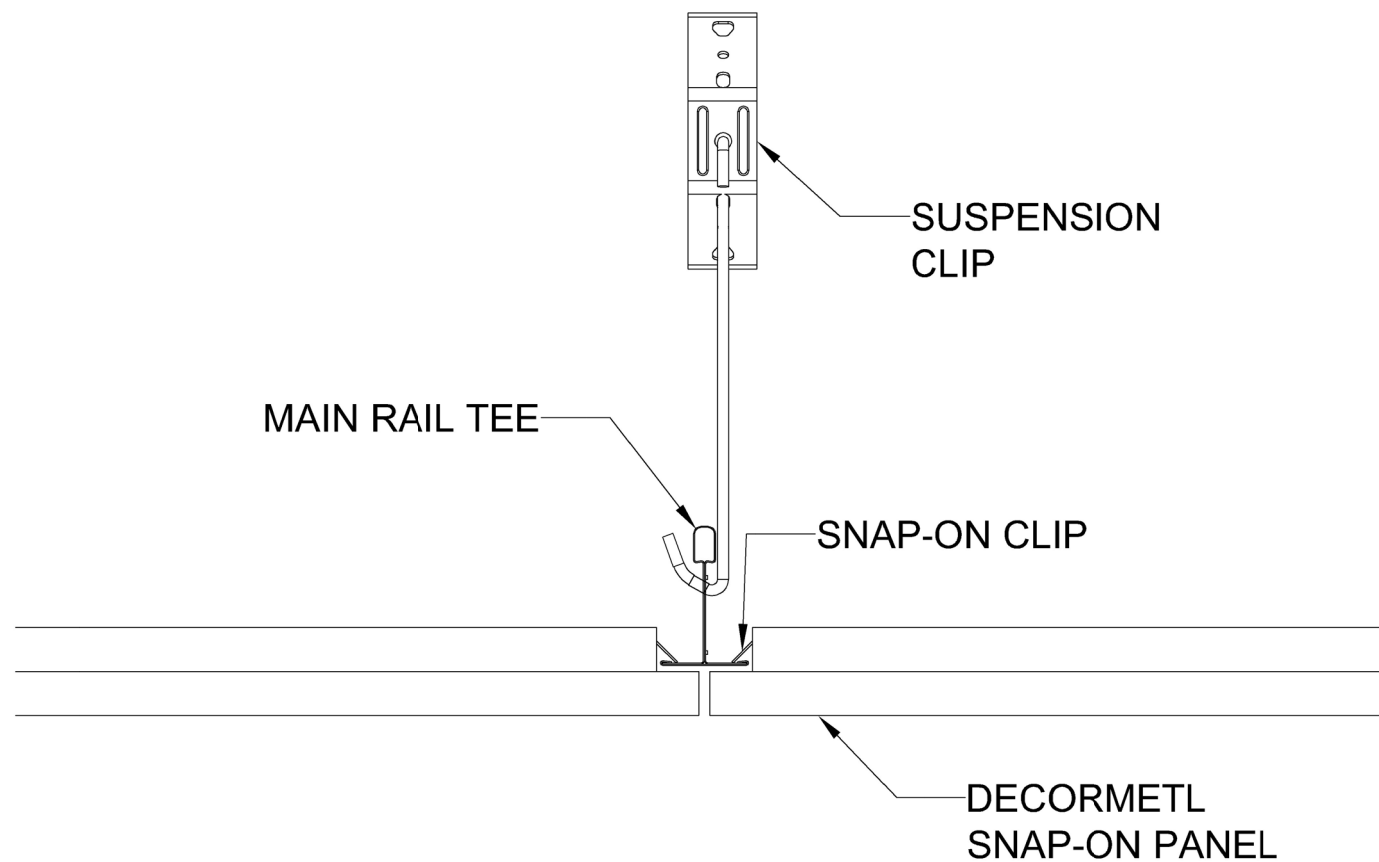
All specifications shown in these documents are intended as a guide only & should not be considered as conclusive. Fixing types & sizes used to install these products must be considered in conjunction with site conditions.

It is the users responsibility to ensure the use of this document coincides with their own judgement and is appropriate for the application. Decor Systems cannot be held responsible for any consequences arising from the improper use of this material (whether negligence or otherwise).

SNAP-ON 3D

THESE DESIGNS, DRAWINGS & SPECIFICATIONS & COPYRIGHT THEREOF ARE THE PROPERTY OF DECOR SYSTEMS AUSTRALIA & MUST NOT BE USED, RETAINED OR COPIED WITHOUT THE WRITTEN AUTHORITY OF DECOR SYSTEMS AUSTRALIA.



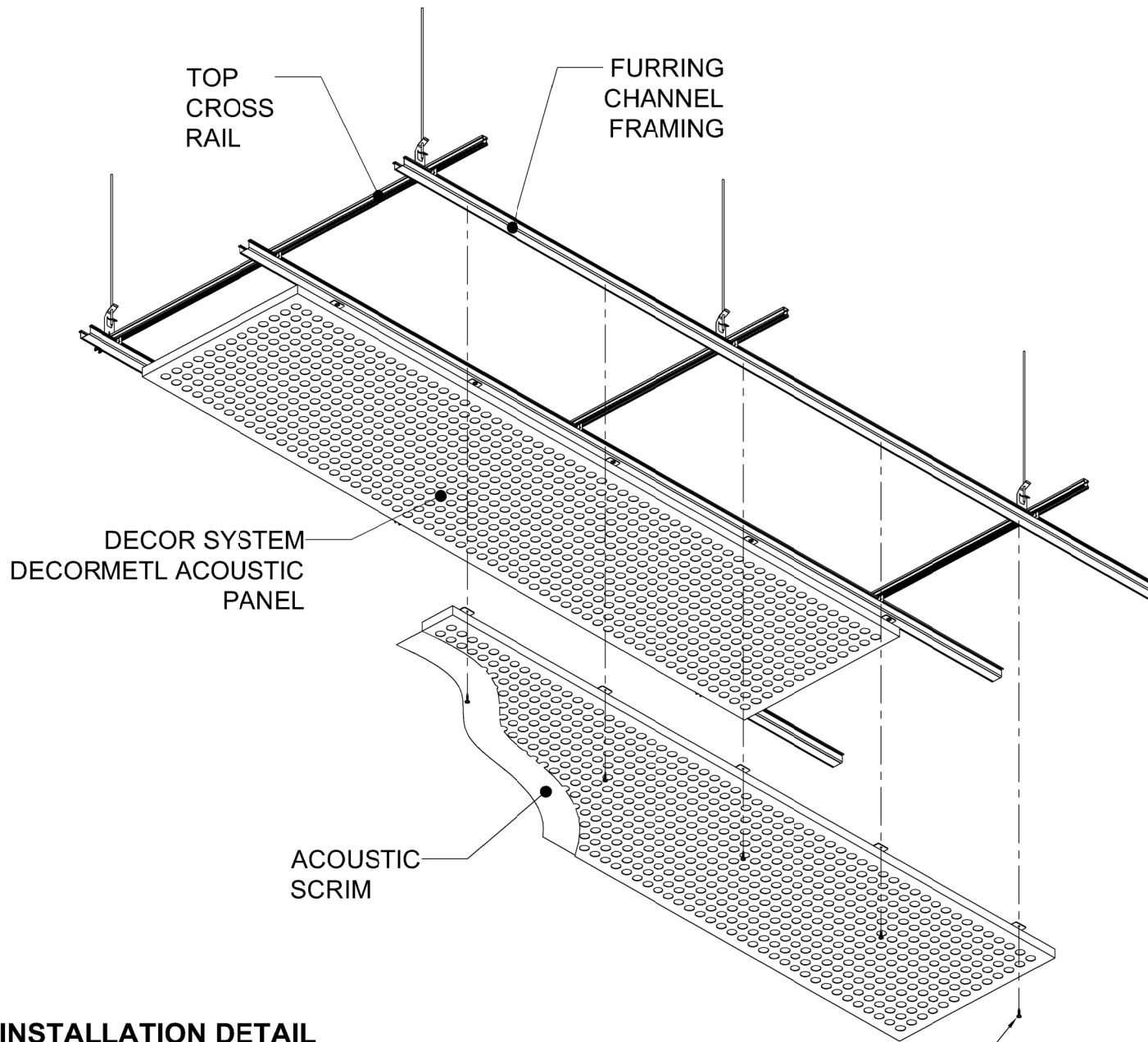


**PANEL TO PANEL**  
**JOINT**

Disclaimer:

All specifications shown in these documents are intended as a guide only & should not be considered as conclusive. Fixing types & sizes used to install these products must be considered in conjunction with site conditions.

It is the users responsibility to ensure the use of this document coincides with their own judgement and is appropriate for the application. Decor Systems cannot be held responsible for any consequences arising from the improper use of this material (whether negligence or otherwise).



FRAMING:

- TCR, FURRING CHANNEL AND SUSPENSION BY OTHERS

HARDWARE:

- RECOMMENDATION OF MAX. 600MM CENTRES

**INSTALLATION DETAIL**

INVISILOCK 3D

Disclaimer:

All specifications shown in these documents are intended as a guide only & should not be considered as conclusive. Fixing types & sizes used to install these products must be considered in conjunction with site conditions.

It is the users responsibility to ensure the use of this document coincides with their own judgement and is appropriate for the application. Decor Systems cannot be held responsible for any consequences arising from the improper use of this material (whether negligence or otherwise).

THESE DESIGNS, DRAWINGS & SPECIFICATIONS & COPYRIGHT THEREOF ARE THE PROPERTY OF DECOR SYSTEMS AUSTRALIA & MUST NOT BE USED, RETAINED OR COPIED WITHOUT THE WRITTEN AUTHORITY OF DECOR SYSTEMS AUSTRALIA.

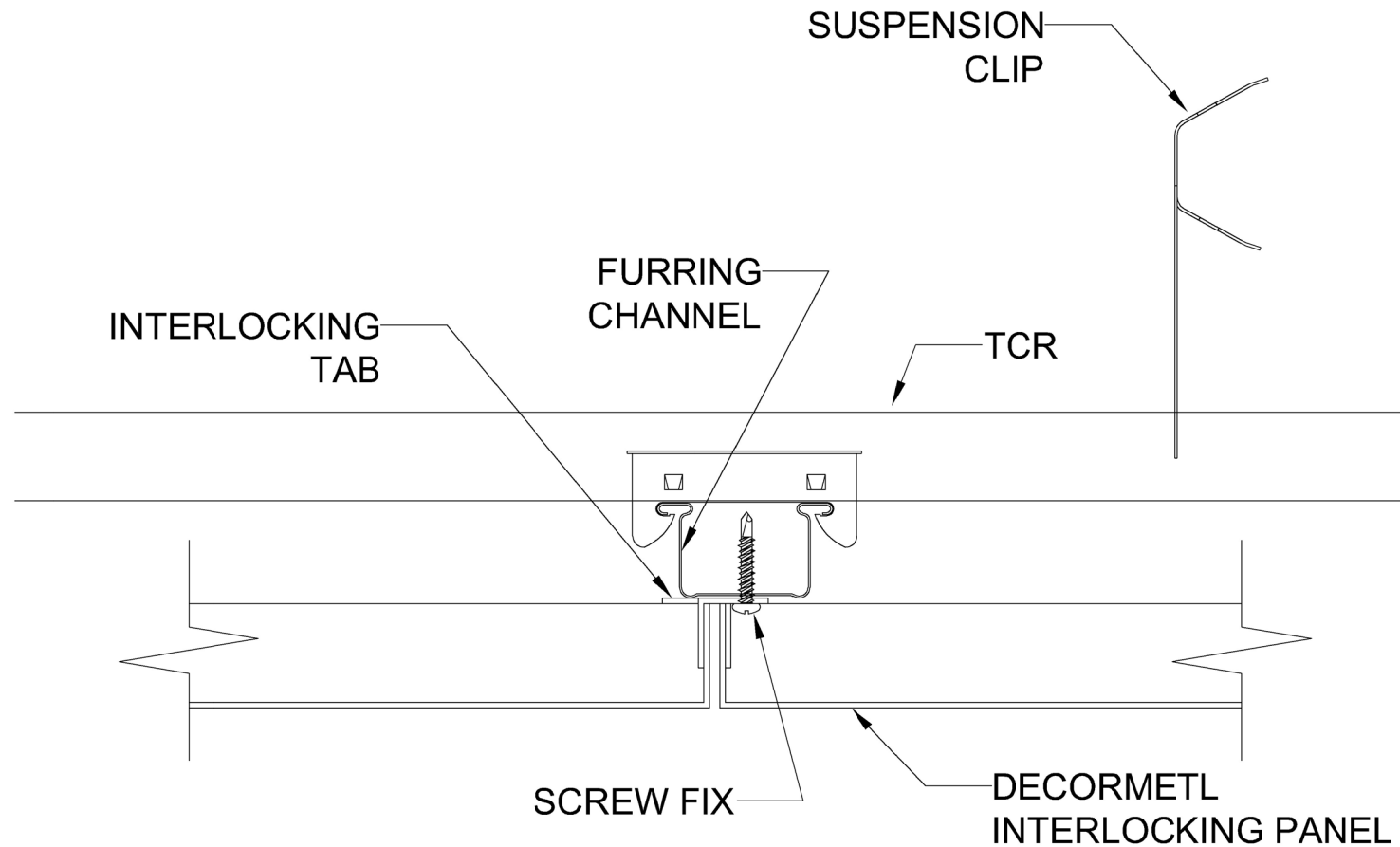


FRAMING:

- TCR, FURRING CHANNEL AND SUSPENSION BY OTHERS

HARDWARE:

- RECOMMENDATION OF MAX. 600MM CENTRES



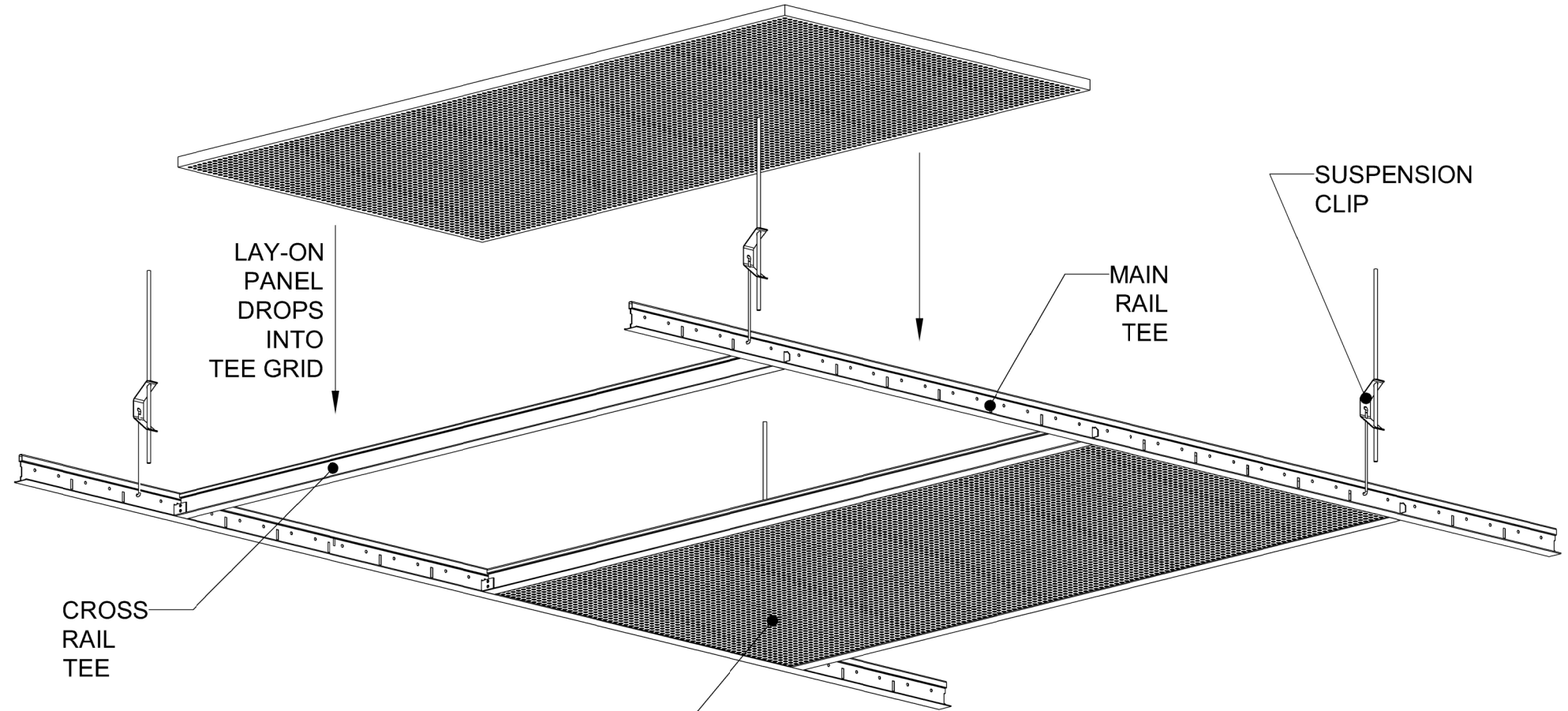
**PANEL TO PANEL  
JOINT**

Disclaimer:

All specifications shown in these documents are intended as a guide only & should not be considered as conclusive. Fixing types & sizes used to install these products must be considered in conjunction with site conditions.

It is the users responsibility to ensure the use of this document coincides with their own judgement and is appropriate for the application. Decor Systems cannot be held responsible for any consequences arising from the improper use of this material (whether negligence or otherwise).

FRAMING:  
- T-GRID AND SUSPENSION BY OTHERS



**INSTALLATION DETAIL**

DECOR SYSTEM  
DECORMETL  
LAY-ON  
ACOUSTIC PANEL

Disclaimer:

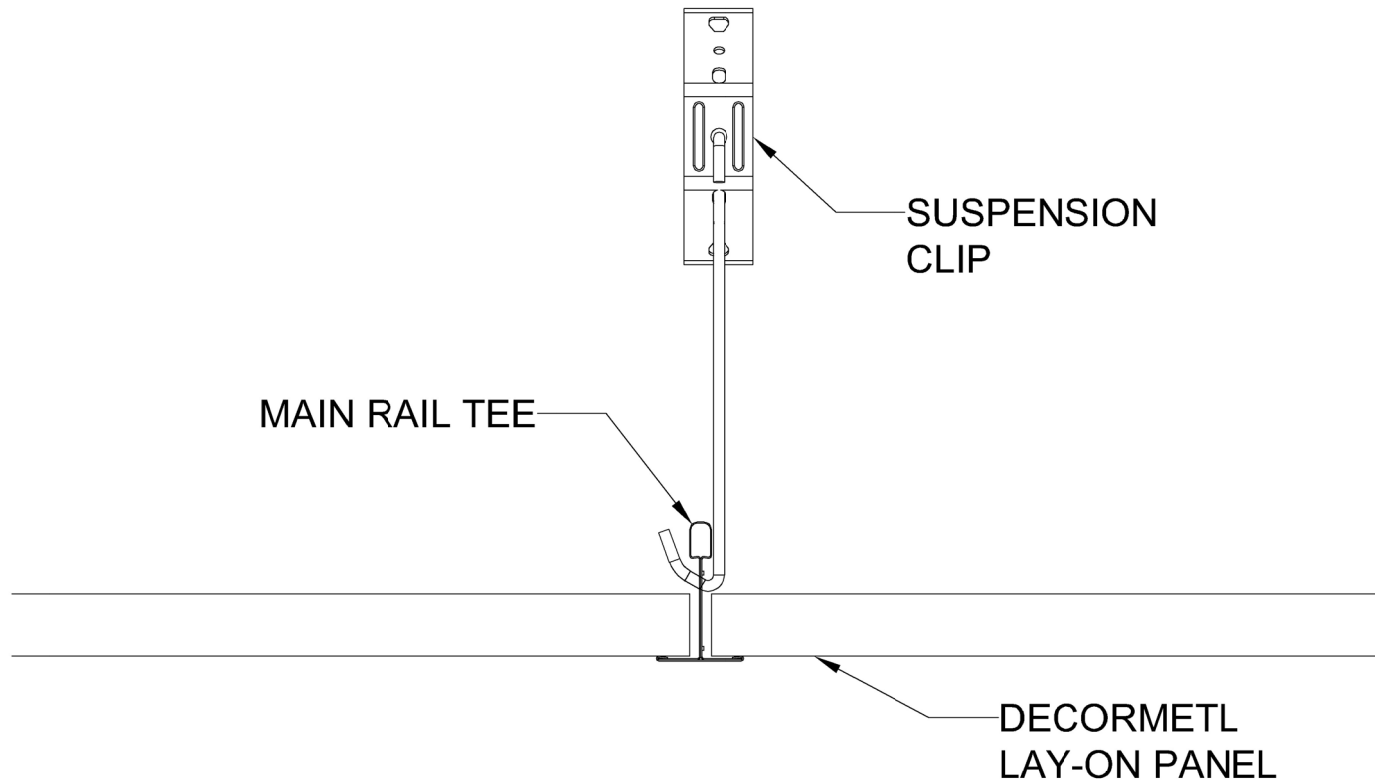
All specifications shown in these documents are intended as a guide only & should not be considered as conclusive. Fixing types & sizes used to install these products must be considered in conjunction with site conditions.

It is the users responsibility to ensure the use of this document coincides with their own judgement and is appropriate for the application. Decor Systems cannot be held responsible for any consequences arising from the improper use of this material (whether negligence or otherwise).

LAY-ON 3D

THESE DESIGNS, DRAWINGS & SPECIFICATIONS & COPYRIGHT THEREOF ARE THE PROPERTY OF DECOR SYSTEMS AUSTRALIA & MUST NOT BE USED, RETAINED OR COPIED WITHOUT THE WRITTEN AUTHORITY OF DECOR SYSTEMS AUSTRALIA.





### PANEL TO PANEL JOINT

Disclaimer:

All specifications shown in these documents are intended as a guide only & should not be considered as conclusive. Fixing types & sizes used to install these products must be considered in conjunction with site conditions.

It is the users responsibility to ensure the use of this document coincides with their own judgement and is appropriate for the application. Decor Systems cannot be held responsible for any consequences arising from the improper use of this material (whether negligence or otherwise).

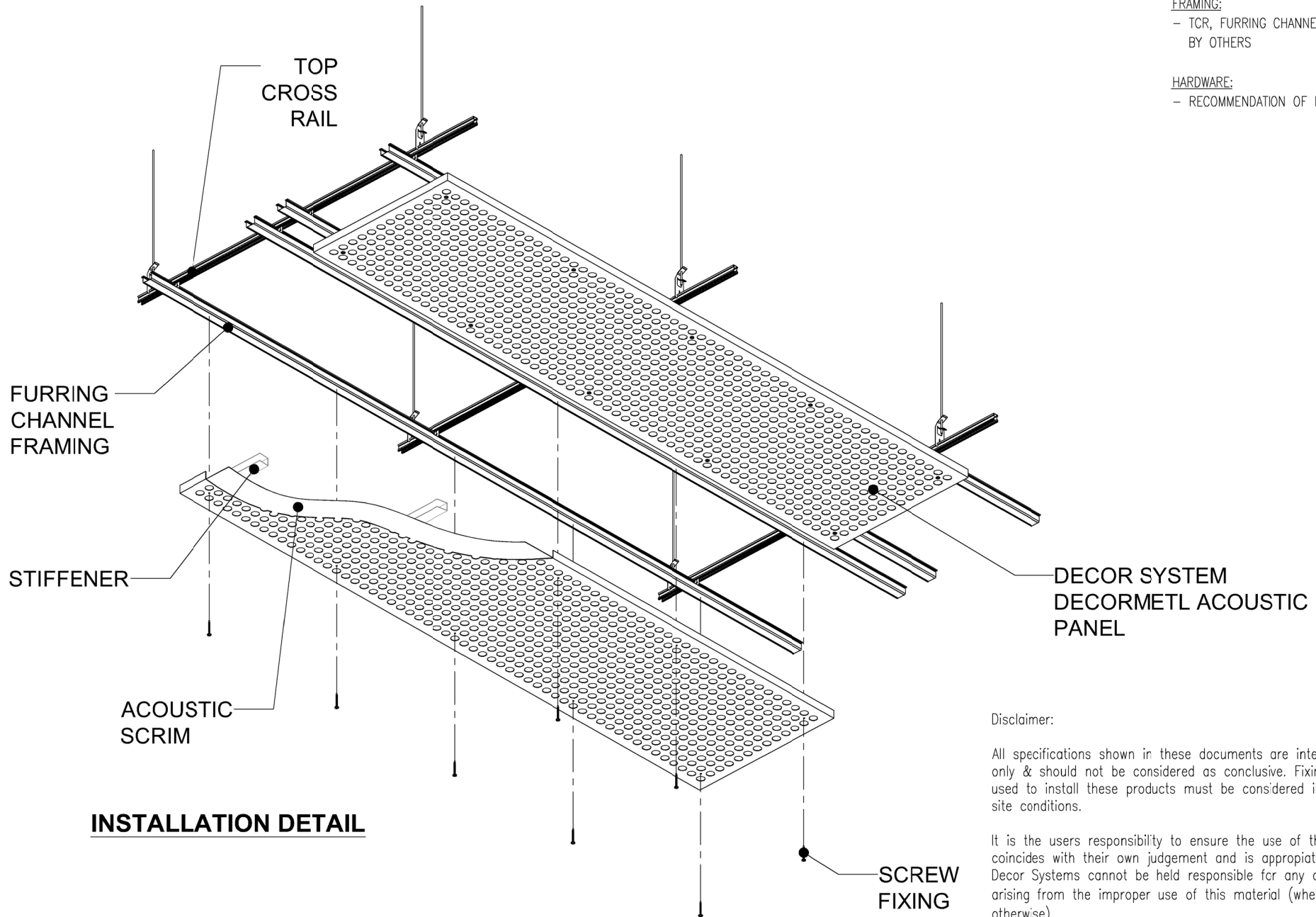


FRAMING:

- TCR, FURRING CHANNEL AND SUSPENSION BY OTHERS

HARDWARE:

- RECOMMENDATION OF MAX. 600MM CENTRES



Disclaimer:

All specifications shown in these documents are intended as a guide only & should not be considered as conclusive. Fixing types & sizes used to install these products must be considered in conjunction with site conditions.

It is the users responsibility to ensure the use of this document coincides with their own judgement and is appropriate for the application. Decor Systems cannot be held responsible for any consequences arising from the improper use of this material (whether negligence or otherwise).

FACE-FIX 3D

THESE DESIGNS, DRAWINGS & SPECIFICATIONS & COPYRIGHT THEREOF ARE THE PROPERTY OF DECOR SYSTEMS AUSTRALIA & MUST NOT BE USED, RETAINED OR COPIED WITHOUT THE WRITTEN AUTHORITY OF DECOR SYSTEMS AUSTRALIA.

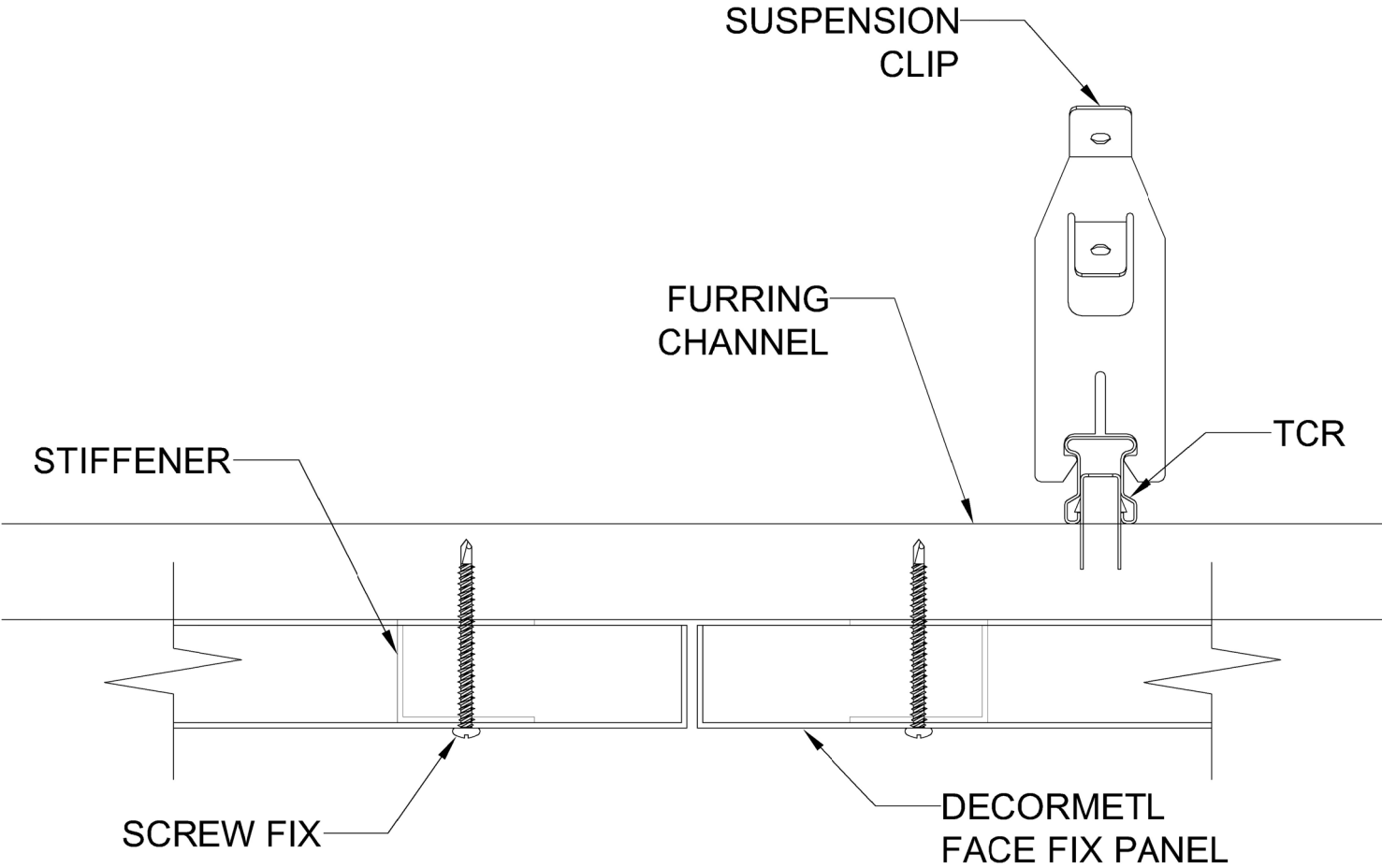


FRAMING:

- TCR, FURRING CHANNEL AND SUSPENSION BY OTHERS

HARDWARE:

- RECOMMENDATION OF MAX. 600MM CENTRES



**PANEL TO PANEL  
JOINT**

Disclaimer:

All specifications shown in these documents are intended as a guide only & should not be considered as conclusive. Fixing types & sizes used to install these products must be considered in conjunction with site conditions.

It is the users responsibility to ensure the use of this document coincides with their own judgement and is appropriate for the application. Decor Systems cannot be held responsible for any consequences arising from the improper use of this material (whether negligence or otherwise).

THESE DESIGNS, DRAWINGS & SPECIFICATIONS & COPYRIGHT THEREOF ARE THE PROPERTY OF DECOR SYSTEMS AUSTRALIA & MUST NOT BE USED, RETAINED OR COPIED WITHOUT THE WRITTEN AUTHORITY OF DECOR SYSTEMS AUSTRALIA.



# GET IN TOUCH

CONTACT

[1800 835 035](tel:1800835035)

[letstalk@decorsystems.com.au](mailto:letstalk@decorsystems.com.au)



DECORSYSTEMS.COM.AU