

S06

The S06 system is heavy duty and fully-framed for extra security. It takes only seconds to close and lock making it perfect for protection in open areas such as banks, shop fronts, hotel bars, closed warehouse areas etc.

Why should I choose the S06 for my business?

• Strength

Custom made, fully framed, galvanised steel construction made from 95% solid steel for ultimate strength. Features solid brass rivets, ensuring there is no weakness. After stringent burglar resistant static load testing, the Slamlock proved to be unquestionably stronger than other locking systems.

• Custom Made

Measurement and fitting is carried out by our design team.

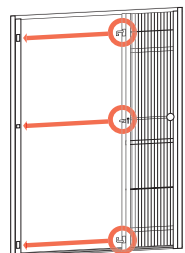
• Unobtrusive

The S06 will fold away to 15% of its closed size.

• Long Lasting

The S06 grille has been treated, epoxy powdercoated and galvanised against corrosion.

• Unique quick action key-less lock



This unique locking system improves your personal protection where you are at risk.

- Slam door instant locking without turning key
- A 12mm pin for extra strength
- Three locking points in one lock.
- Double hook for extra strength

• Bottom Track

Bottom track can be fixed, removable or hinged.

STREET FRONT APPLICATIONS



SHOPPING CENTRE APPLICATIONS



S06 with shaded cloth backing

S06 Expanding Security Systems

Technical Specifications

FOR CURVED APPLICATIONS SEE S08

General Specifications

The expanding security system comprises an expanding trellis framed pattern with rigid top suspension track and bottom guide rail.

The door is constructed from heavy duty 20mm x 5mm solid steel flat bars and 20mm square steel tubing.

The bottom guide rail is self cleaning or is a lipped channel as shown bottom right.

The jamb consists of a steel channel which is so formed as to partially enclose the lock style when the door is locked.

The trellis linkages being steel flat bars, maintain proportional spacing between the vertical channels.

Door weight is 13kg/m².

Rivets

The rivets are solid brass and rust proof ensuring there is no weakness unlike other expanding door systems. The rivets are used in a non pivoting function to maximise strength and life.

Locks

The locks are special high security grade with three point locking in one lock, a double hook for extra strength and the slamlocking feature - slam door instant locking without turning a key.

Colour Range

The doors are available in 4 standard exterior high gloss resistant baked quality epoxy powder coatings. Individual colour schemes can be matched to suit almost any environment.

Warranty

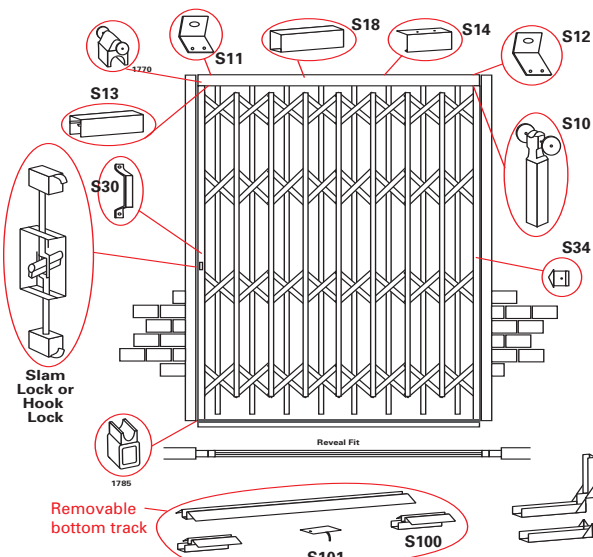
A 12 month warranty against defective materials and workmanship applies.

Fitting

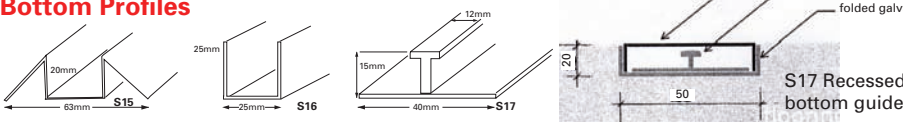
The doors are custom made to exact measurements, and can be fitted in the reveal, the face-on or free-standing position.

Stacking in Cupboard

Minimum internal width clearance is 100mm.



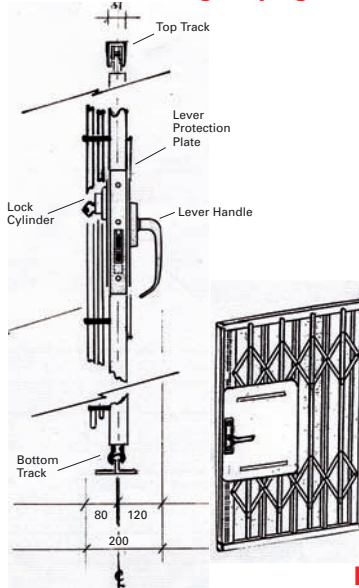
Bottom Profiles



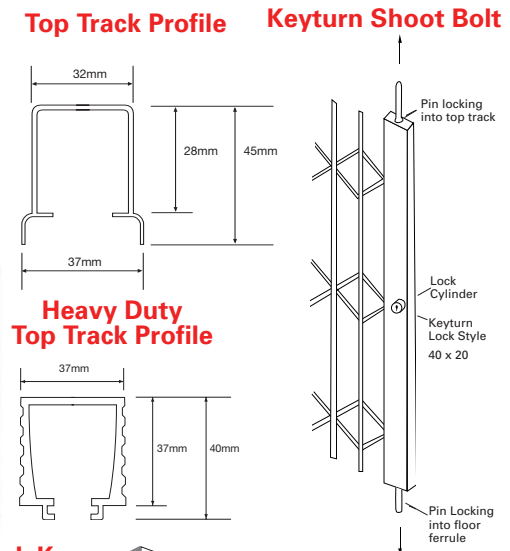
STACK SIZES

Single Sash		Double Sash	
Total Door Width (incl. Stack)	Stack Width	Total Door Width (incl. Stack)	Stack Width
500	140	1000	140 + 140
700	170	1250	170 + 170
1000	200	1500	170 + 170
1220	230	1750	200 + 200
1440	260	2000	200 + 200
1660	290	2250	230 + 230
1880	320	2500	230 + 230
2100	350	2750	260 + 260
2320	380	3000	260 + 260
2540	410	3250	290 + 290
2760	440	3500	290 + 290
3000	470	3750	320 + 320
3220	500	4000	320 + 320
3440	530	4250	350 + 350
3660	560	4500	350 + 350
3880	590	4750	380 + 380
4100	620	5000	380 + 380
4320	650	5250	410 + 410
4540	680	5500	410 + 410
4760	710	5750	440 + 440
5000	740	6000	440 + 440
5220	770	6250	470 + 470
5440	800	6500	470 + 470
5660	830	6750	500 + 500
5880	860	7000	500 + 500
6100	890	7250	530 + 530

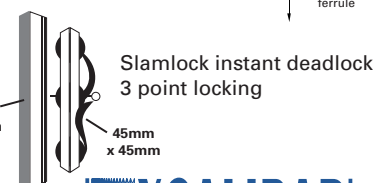
Lever Handle Locking For Emergency Egress



LARGER SIZES AVAILABLE



Lock Keep Profile



Ph: (02) 9519 0844