

# Bench Seating



**Duracube® Bench Seating** is constructed from Durasafe® 13mm compact laminate making them robust and durable for heavy-duty applications.

Duracube® bench seating is designed to coordinate with lockers and partitioning system.

A practical, low maintenance and modern design ideal for wet area change rooms, schools, gyms and end of trip locker rooms.

## Applications

- › Childcare Centres
- › Schools and Universities
- › End Of Trip (EOT) Facilities
- › Sport and Gym Change Rooms
- › Recreational Amenities
- › Aquatic Centres
- › Factory Change Rooms
- › Corporate Amenities

## Features & Benefits

- › Durasafe® 13mm compact laminate construction
- › Vandal and impact resistant surface
- › Suitable for wet areas that are hose cleaned
- › Low maintenance, easy to clean and sanitise
- › Sturdy Oyster Grey powder-coat frames and legs
- › Available in island or wall fixed configurations or combined with lockers. See page 45.
- › Coat hooks with rail or shelving is a standard inclusion and installed above bench seating
- › A range of compact laminate colours are available
- › Most cost-effective when designed in 1200mm and 1800mm lengths

Bench seating suitable for heavy duty areas

## Bench Seating – Island (BSI)



### HOW TO SPECIFY Bench Seating – Island

#### Product Name

Duracube® Bench Seating – Island (BSI).

#### Bench Seat Construction Material

Durasafe® 13mm Compact Laminate.

#### Coat Rail and Back Rest Supports

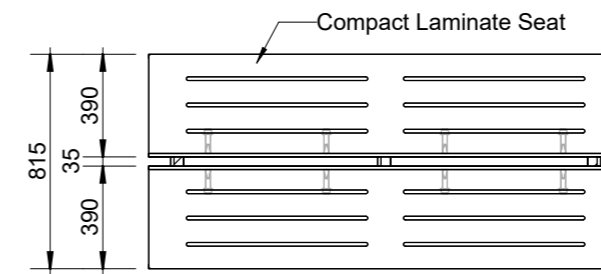
Durasafe® 13mm Compact Laminate.

#### Bench Seat Legs

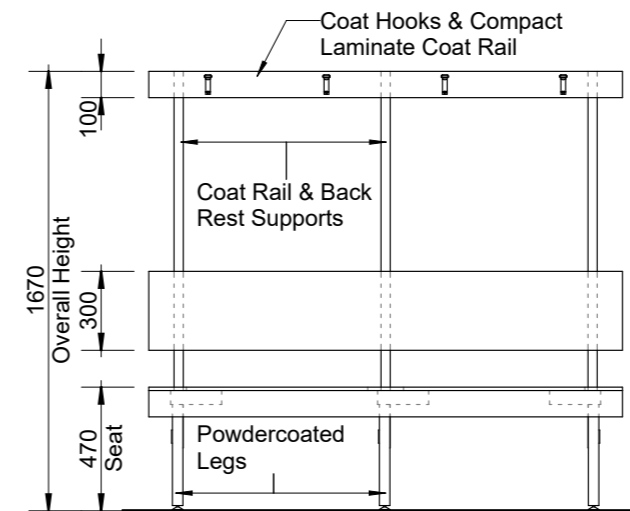
Steel Leg – Pearl Grey powder-coat.

#### Frame Finish

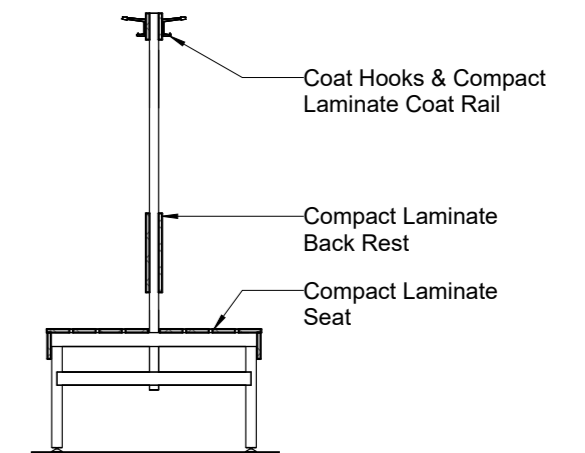
Steel Posts – Pearl Grey powder-coat.



Plan



Elevation



Section

## Bench Seating – Wall with Shelving (BSW-S)



### HOW TO SPECIFY Bench Seating – Wall with Shelving

#### Product Name

Duracube® Bench Seating –  
Wall with Shelving (BSW-S).

#### Bench Seat Construction Material

Durasafe® 13mm Compact Laminate.

#### Shelving

Durasafe® 13mm Compact Laminate.

#### Shelf Bracket

Bracket – Oyster Grey powder-coat.

#### Bench Seat Legs

Steel Leg – Pearl Grey powder-coat.

## Bench Seating – Wall with Coat Rail (BSW-C)



### HOW TO SPECIFY Bench Seating – Wall with Coat Rail

#### Product Name

Duracube® Bench Seating –  
Wall with Coat Rail (BSW-C).

#### Bench Seat Construction Material

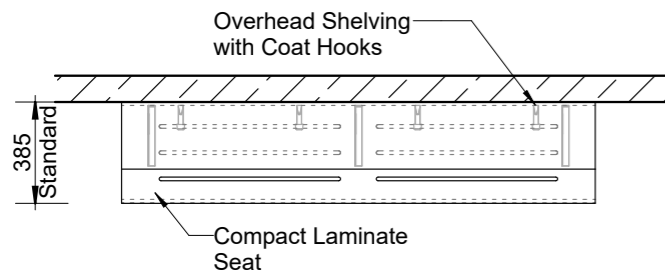
Durasafe® 13mm Compact Laminate.

#### Coat Rail

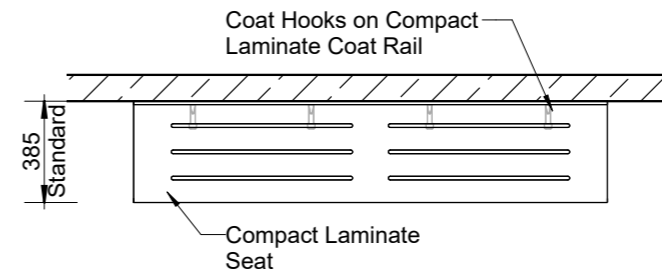
Durasafe® 13mm Compact Laminate.

#### Bench Seat Legs

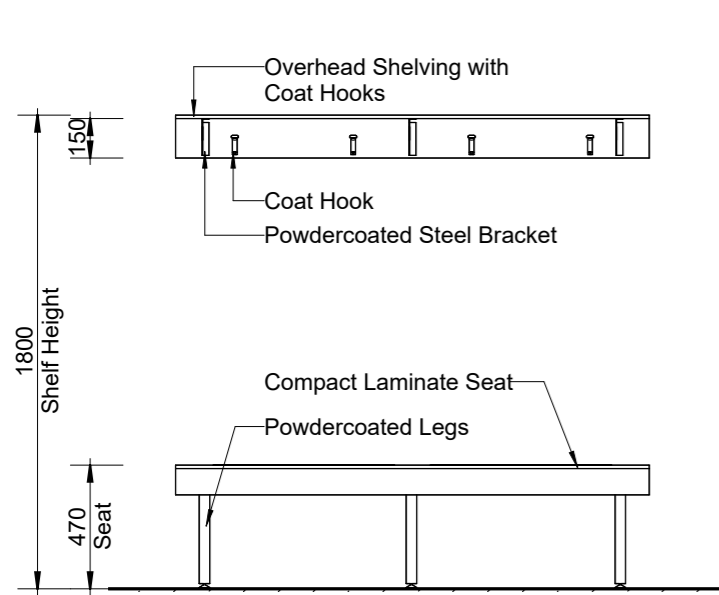
Steel Leg – Pearl Grey powder-coat.



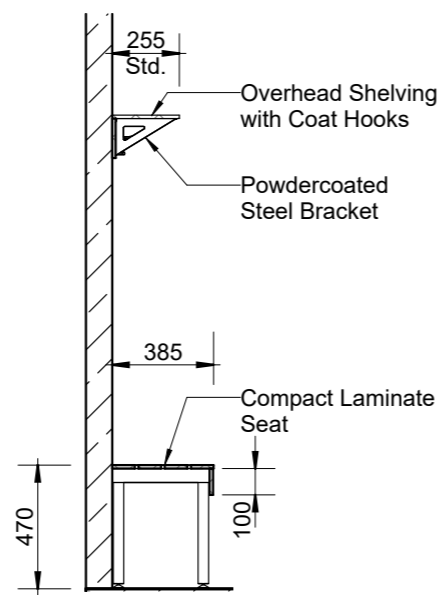
Plan



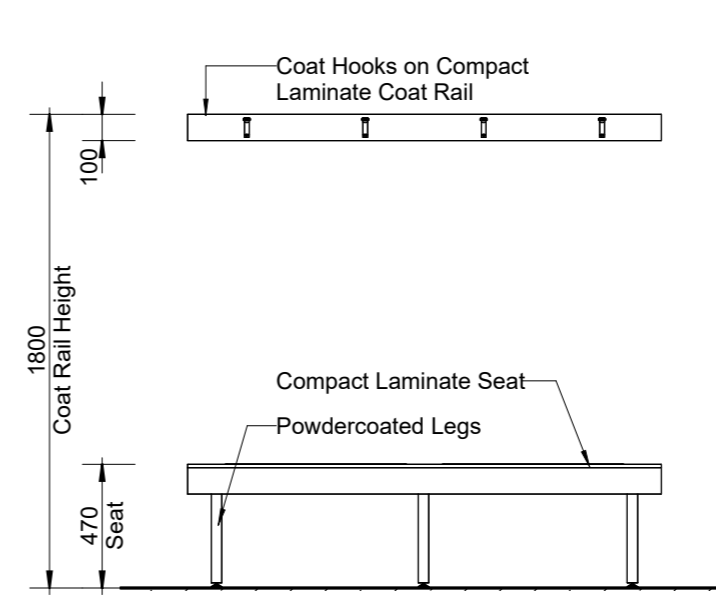
Plan



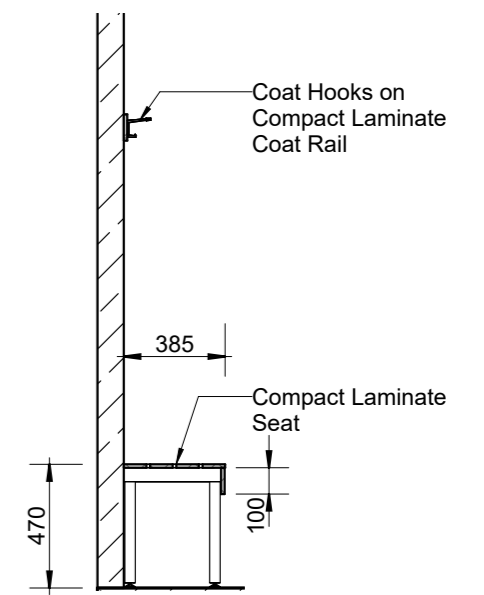
Elevation



Section



Elevation



Section