

INTRIM®

Modular Handrail & Wall Protection Systems



Assisting Health and Aged Care Facilities in creating warm, homely interiors.

— MAKING —
INTERIORS
Spectacular



About Intrim

Intrim has come from humble beginnings in a family home garage to evolve into Australia’s leading manufacturer and creator of finely crafted, quality architectural mouldings and handrails. With manufacturing and warehousing in Sydney, Brisbane and Melbourne, Intrim are well positioned to supply Australia wide.

Our innovative handrail and wall protection systems are modular, ready to install, complete with a microbial resistant triple coating, saving time and money at time of installation.

The Benefits of Timber

Our passion for timber has continued throughout our 23 years of business and we love seeing the benefits this beautiful natural resource can make on the health and wellbeing of the lives of those who live with it in their interiors. A Planet Ark* study highlighted that:

- Wood elicits feelings of warmth, comfort and relaxation which is imperative in creating positive wellbeing and a ‘home away from home’ in aged care and hospital settings.
- Decreases stress responses, and lowers blood pressure, heart rate and cholesterol levels.
- Improves emotional state and self-expression.
- Wood products within a room have been shown to improve indoor air quality.
- 96% of Australians are drawn more to interiors with timber, increasing demand and your return on investment.
- These benefits maintain physical and emotional health, as well as speed up healing and recovery times, which are particularly important for environments where it is difficult to incorporate nature or natural items.

* Source: ‘WOOD: Housing, Health, Humanity’ Report, Planet Ark, March 2015



Contents

Modular Handrail & Wall Protection Systems

Product **Page**

ConnectaRail System **4**

Hospital Handrails

IHR10 Handrail System **10**

IHR55 Handrail System **12**

IHR39 Anti Ligature Handrail System **13**

ConnectaRail LED System **15**

IHR10 LED Handrail System **18**

LED Components **21**

BR04 Bump Rail System **22**

Dowel Hand Rail System **25**

Intrim ConnectaRail System



A stylish blend of timber and stainless steel makes for an eye catching continuous handrail system.

The Intrim Connecta Rail is a continuous dowel handrail system incorporating 40mm or 50mm diameter timber dowel handrail and stainless steel accessories including stainless steel 90 degree bends, end caps and handrail brackets. Perfect for use in a large variety of projects including aged care, hospitals, and any commercial and residential application.

Benefits

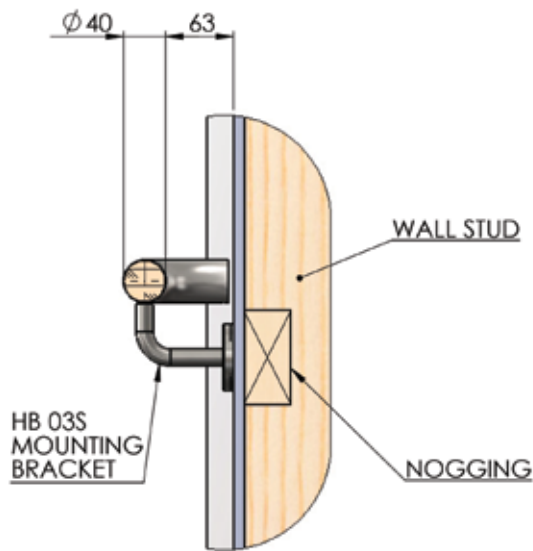
- ConnectaRail is suitable for 9C compliant aged care facilities. It is the perfect handrail system for use in aged care and health projects, and complies with Australian Standard AS1428.1-2009.
- ConnectaRail is supplied with our ready to install clear pre-coating. We can also supply raw.
- ConnectaRail is manufactured in Vic Ash timber.
- Protect your walls from beds and traffic as the Connecta Rail doubles as a wall protection system.
- Save time with our easy to install unique fixing system.
- Ease of installation due to modular stainless steel components.
- Create a beautiful look with our selection of timber stains; Teak, Walnut, Maple & Black.
- Create a warm, non-clinical, residential feel.
- Reduce the dependency on staff and carers by offering a handrail system that increases residents' confidence and motivation to stay active and mobile.



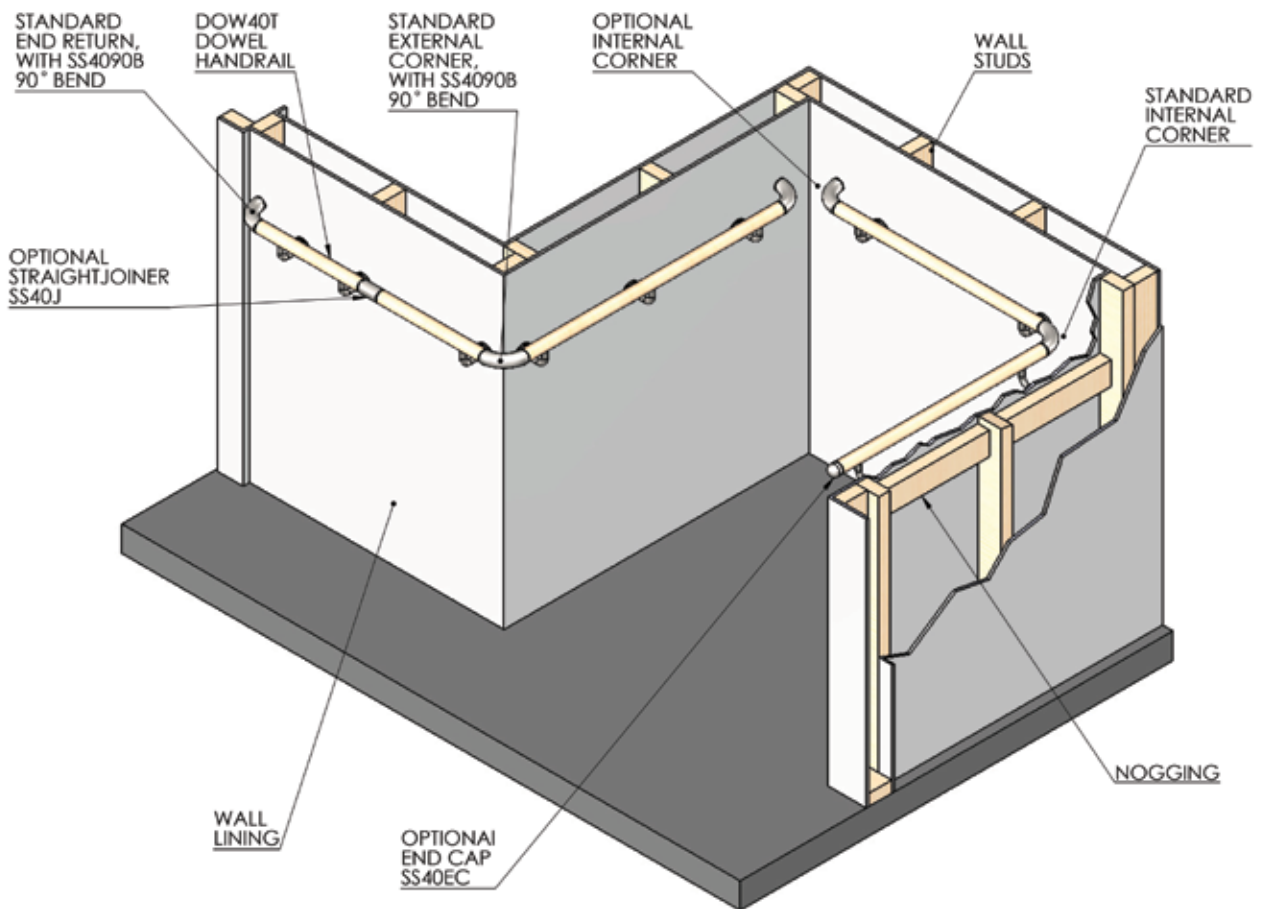
**SLEEK
LOOK**
EASY TO
INSTALL



Typical Assembly



Connecta Rail Wall Section



Connecta Rail Typical Layout



ConnectaRail

Components



ConnectaRail 40

Dowel Handrail Lengths

40mm diameter rail (Random Lengths)
Tas Oak/ Vic Ash - DOW40T

Stainless Steel Bend / Return

90° bend with 60mm internal radius
(Also for 90° return to wall)
SS4090B

Stainless Steel End Cap

40mm diameter
SS40EC

Stainless Steel Joiner

40mm diameter
SS40J

Joining Fastener

Allow 2 for each bend/joiner and 1 for end cap
JF01

Stainless Steel Handrail Bracket

With concealed fixing
HB02CS Curved Saddle Option
HB02FS Flat Saddle Option
HB03S - 80mm threaded

Drilling Jig

SSDJK40-50
SSDJK40-50C for pre-coated handrail

2 Part Epoxy Adhesive

To be used for SS4090B return to wall
AP02SS Applicator for Epoxy Adhesive
CA02SS Connecta Premium Epoxy Adhesive (50g)
NZ02SS Nozzle for Epoxy Adhesive (Qty 10)

Uni Bends

Used for custom angles where 90° bend does not provide a suitable angle.
SS40UB

Anti Microbial Hygiene Plugs

Plastic hygiene plugs. PL01 Polymer plug for grub screw hole in 90° bend.
PL02 Polymer plug for hole in 90° bend in wall return applications.

Timber Stains

Available in Teak, Walnut, Maple and Black.

ConnectaRail 50

50mm diameter (Random Lengths)
Tas Oak/ Vic Ash - DOW50T

90° bend with 55mm internal radius
(Also for 90° return to wall)
SS5090B

50mm diameter
SS50EC

50mm diameter
SS50J

JF01

HB02CS Curved Saddle Option
HB02FS Flat Saddle Option
HB03S - 80mm threaded

SS50UB





Hospital Handrails

Intrim's natural timber hand rails are suitable for a range of residential stair rail and balustrade projects and commercial applications, particularly hospitals, health and aged care facilities and shopping centres.

Intrim IHR10 Handrail System

A natural timber handrail system creating a welcoming and homely interior.

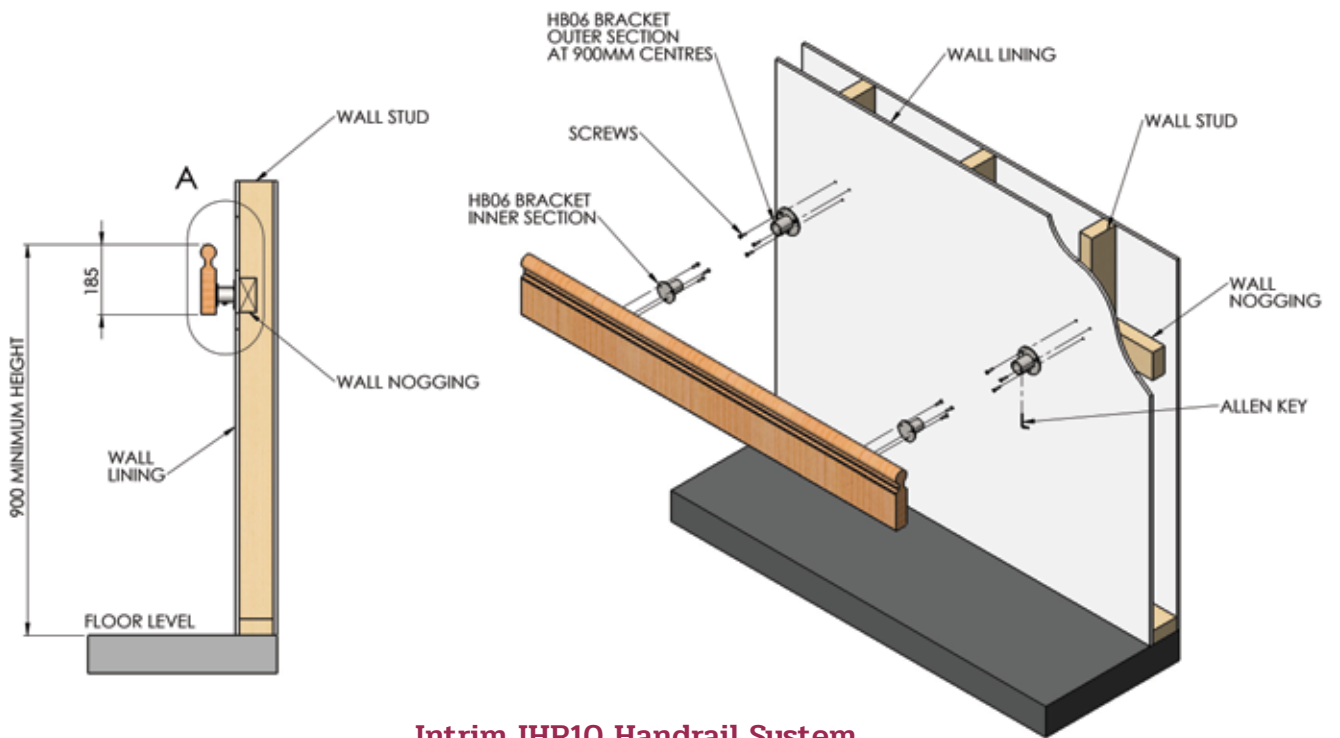
The Intrim IHR10 Handrail System is an elegant handrail system utilised in a large variety of health facilities. It also doubles as wall protection from traffic including beds and trolleys. Finished with 3 layers of a hard wearing coating makes for a durable, robust and hard wearing handrail and wall protection system with a unique wall fixing system for ease and speed of installation. Intrim IHR10 handrail system can be supplied cut to length ready to install, making for further time savings on site.

Benefits

- Pre-coated ready for installation upon delivery to site.
- Concealed fixing system.
- Hard wearing triple coating for durability. Coating is also microbial resistant.
- Unique wall fixing system for fast and simple installation.
- Australian standard AS1428. 1-2009 compliant.
- Supplied with powder coated stainless steel wall brackets.
- Doubles as wall protection from traffic, including beds and trolleys.
- The use of natural material has been proven to have aesthetic therapeutic benefits increasing healing and therefore decreasing hospital stay.



Typical Assembly



Intrim IHR10 Handrail System

Components

IHR10 Handrail System



IHR10
Intrim IHR10 Pre-coated Vic Ash Timber Handrail
185 x 40mm, 135 x 40mm



HB06 Mounting Bracket
Available in Stainless Steel and Satin White



HB06/JIG Installation Marking Jig
Jig to mark location of screw holes for HB06 Mounting Bracket on handrail.

Other Hospital Handrail Options



Intrim IHR09 Handrail System

Intrim® IHR09 is available in 135mm, 185mm wide and 32mm thick and crafted in Victorian Ash or Tasmanian Oak complete with anti-microbial, triple clear satin coating.



Intrim IHR55 Handrail System

Intrim® IHR55 is available in 185mm wide and 40mm thick and crafted in Victorian Ash or Tasmanian Oak complete with anti-microbial, triple clear satin coating.



Wall bracket solutions that save time & will not compromise look!

Wall mounting brackets are available in 316 stainless steel with either a brushed or white satin finish and are designed for ease and speed of installation.

Intrim handrail and wall protection systems have a triple coat, **ANTI-MICROBIAL** coating which means **TIME SAVING** due to removal of on-site painting and drying process.

Timber Hospital Handrail Bends

Pre-formed timber returns to wall at termination of handrail with stainless steel transition.



Intrim IHR10 Handrail Bend

Pre-formed timber returns/bends with stainless steel transition. Available as left hand and right hand return bends. Only available in precoated Victorian Ash timber.
185 x 40mm, 135 x 40mm



Intrim IHR55 Handrail Bend

Pre-formed timber returns/bends with stainless steel transition. Available as left hand and right hand return bends. Only available in precoated Victorian Ash timber.
185 x 40mm

Intrim IHR39 Anti Ligature Handrail System



Intrim's natural timber IHR39 anti ligature hand rails are suitable for mental health and hospital applications where there is a risk of ligature.

- Suitable for 9C compliant facilities.
- Compliant with the Australian standard AS1428 1-2009.

These handrails are designed to be fixed using a bracket that runs continuously along the full length of the handrail, without leaving a gap, to reduce ligature risk. The rounded handrail top provides a comfortable and substantial support and safety for users, and the clear coated option is hygienic and easy to clean.

The use of timber enhances the look of it's surrounding environment and doubles as wall protection from traffic and wheeled beds.

Intrim® IHR39 is available in 145mm wide, is 44mm thick at the top, 55mm thick at wall mount and has a wall projection of 91mm. Crafted in Clear Precoated Vic Ash and raw Vic Ash timber. The clear coat provides antimicrobial protection as well as helping save additional time required on site for painting and drying.





IHR10 Handrail

Intrim ConnectaRail LED

A stylish blend of timber and stainless steel making for an eye catching continuous handrail system with LED Lighting.

The Intrim Connecta Rail LED is a continuous dowel handrail system incorporating 40mm or 50mm diameter Victorian Ash timber dowel handrail and stainless steel accessories including stainless steel 90 degree bends, end caps and handrail brackets with LED lighting incorporated. The soft lighting helps create a mood lifting ambience as well as improves visibility in low lit areas and during the night. Perfect for use in a large variety of projects including aged care, hospitals, and any commercial and residential application.

Benefits

- LED lighting lifts the mood of the environment.
- Energy saving over traditional lighting.
- Night light use for safety and better visibility.
- Soft ambient light available in 3 tones; Warm White, Cool White and Natural White.
- No need to order pre-cut lengths. Cut lengths on site to suit your project, saving time and adding flexibility at installation.



Cool White

Natural White

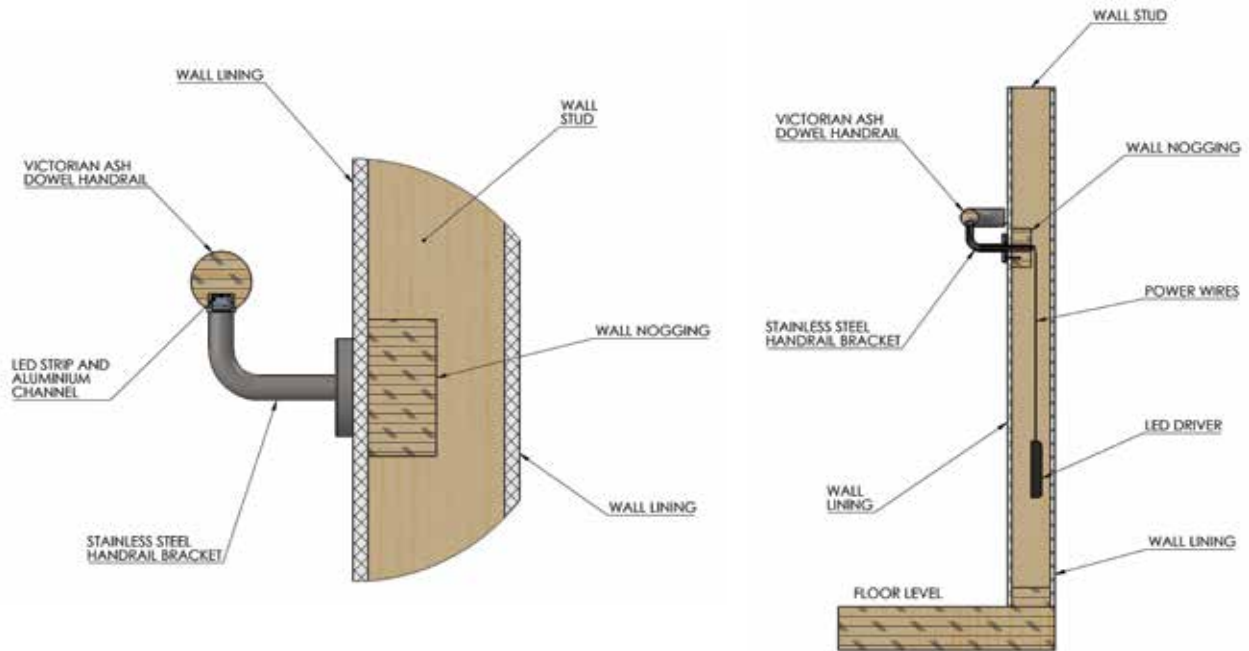
Warm White



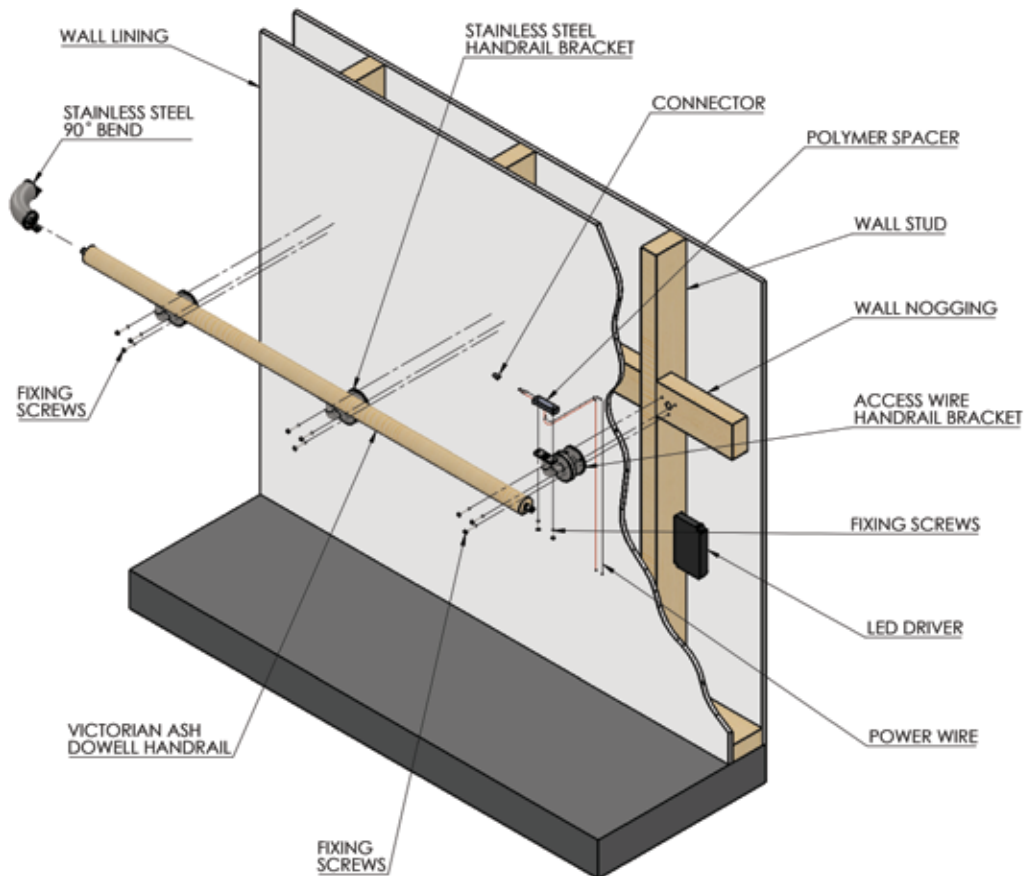


ConnectaRail LED

Typical Assembly



Intrin ConnectaRail LED Wall Section



Intrin ConnectaRail LED Typical Layout

Intrim IHR10 LED Handrail System

A natural timber handrail system that creates a more inviting and warm interior feel.

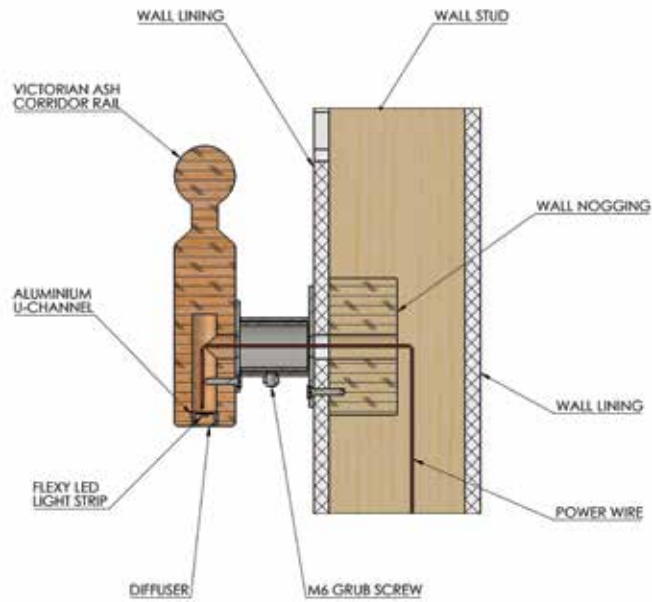
The Intrim IHR10 Handrail System is an elegant handrail system utilised in a large variety of health facilities that also doubles as wall protection from traffic including beds and trolleys. Coated with 3 coats of a hard wearing coating makes for a durable, hard wearing handrail and wall protection system with a unique wall fixing system for ease and speed of installation. Intrim IHR10 handrail system can also be supplied cut to length, pre-assembled with LED lighting ready to install, making for further time savings on site.

Benefits

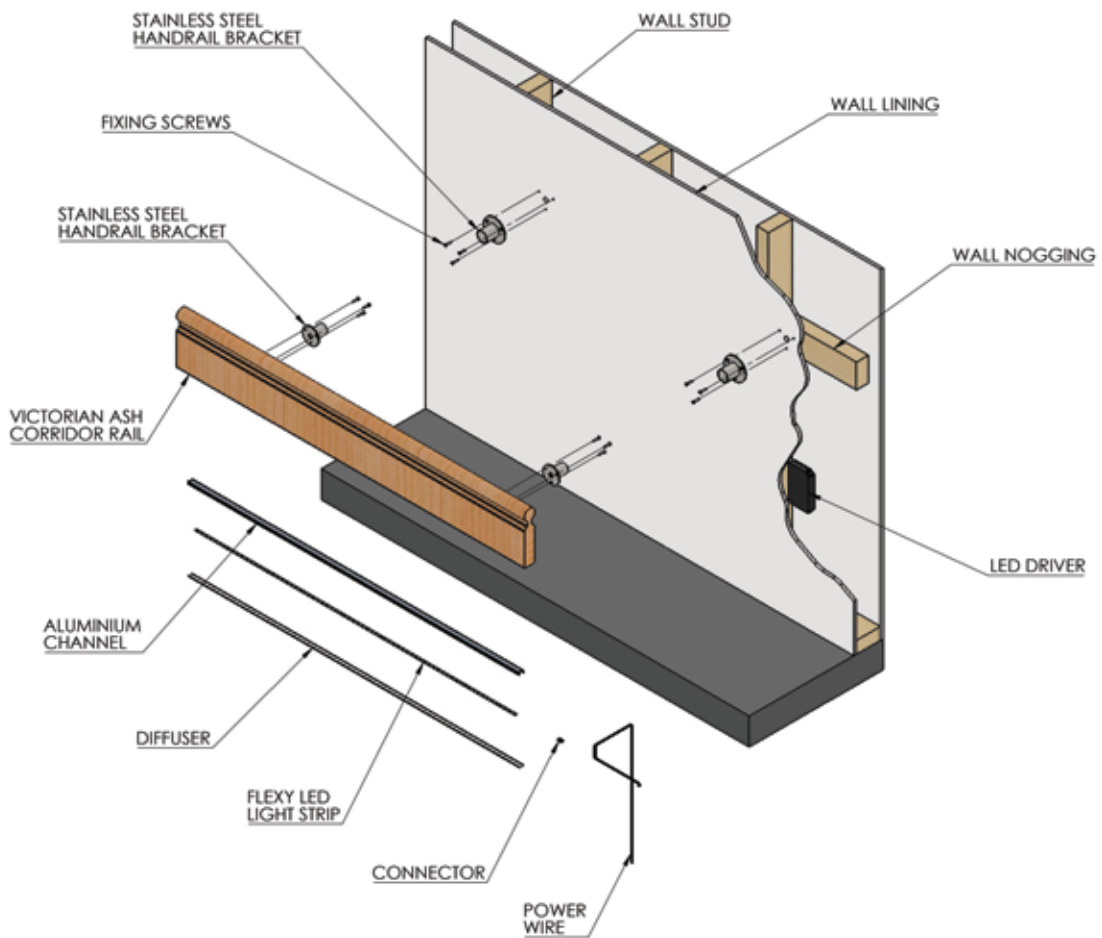
- LED lighting lifts the mood of the environment.
- Energy saving over traditional lighting.
- Night light use for safety and better visibility.
- Soft ambient light available in 3 tones; Warm White, Cool White and Natural White.
- Order to your predetermined lengths to fit your job, having them arrive on site pre-assembled to save time and money at installation.
- Hard wearing, anti microbial resistant coating on pre-coated option.
- Manufactured to custom specifications, ready to install.



Typical Assembly



Intrim IHR10 Wall Section



Intrim IHR10 Typical Layout




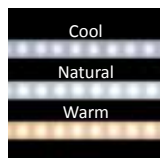









IHR10 LED Handrail

LED Components

These LED components suit our Connecta Rail and IHR10 Handrail systems.

LED Components for ConnectaRail and IHR10 Handrail

	Wire to Wire Snap Connector 25 x 11mm WTWSN		Aluminium U Channel with Diffuser Kit 17 x 8mm x 3m long UD178
	Strip to Wire Press Connector 16 x 10mm STWP8		LED Drivers 50W to Power 10 metres x 4.8W light strip 131mm long x 76mm wide x 27mm thick DRL50/65A
	Strip to Strip Press Connector 22 x 10mm STSP8		0.6 - 2 metres x 4.8W light strip 111mm long x 76mm wide x 23mm thick DRL50/25A
	Polymer Wire Access Handrail Spacer 17 x 9mm SPL17		Flexy LED Light Strip Rolls Available in 5m or 20m rolls. Colours: Natural White, Warm White or Cool White LS58N, LS58W, LS58C, vLS208N, LS208W, LS208C
	Polymer Standard Handrail Spacer 12 x 7.5mm SPL12		Vic Ash DAR Infill Used as a handrail groove infill. 17 x 9mm uncoated VA179
	Polymer Spacer to allow for Aluminium U Channel 17 x 3mm. Used in raked handrail applications SPL28		Red & Black Figure 8 Power Wire 22AWG RBW22
	Wire to Wire Pluggable Connector 2 Required to form circuit. 22 x 10mm WTWC2		Interconnect Wiring Harness 165mm long x 12V ICH165
	2 Wire to Wire Pluggable Connectors - Joint 35 x 10mm WTWC2x2		Strip to Strip Clip Connector 21 x 11mm STSC8
	Stainless Steel Handrail Bracket HB02FS Flat Saddle HB09FS Flat Saddle with wiring access holes		Strip to Wire Clip Connector 16 x 11 mm STWC8
	Stainless Steel Bend / Return SS4090BL 90° bend with 60mm internal radius (with LED wiring harness) SS5090BL 90° bend with 55mm internal radius (with LED wiring harness)		Wall Mounting Bracket for IHR10 HB06L with wiring access holes HB06 standard bracket

Intrim BR04 Bump Rail System

A superior wall protection system that creates a warm, residential feel for aged care, health and commercial applications.

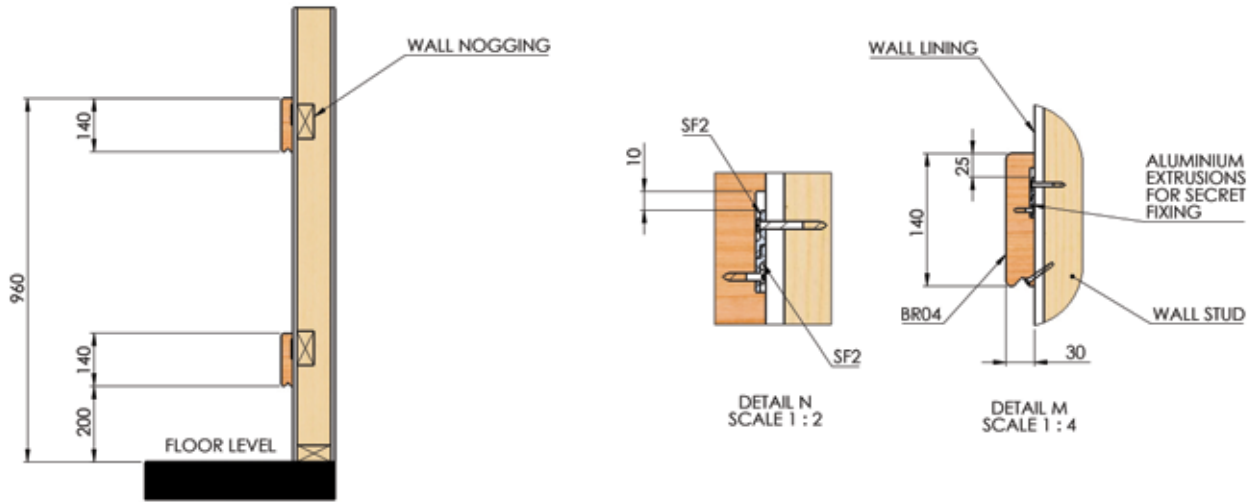
The Intrim BR04 Bump Rail System is a natural Victorian Ash timber wall protection system which is delivered to site ready to go on the wall. It can be used as a base rail with the IHR10 Handrail System or as a dual rail with both a mid and base rail for wall protection only. Finished with 3 layers of a hard wearing coating makes for a durable, resilient handrail and wall protection system, with a unique secret fixing system for ease and speed of installation.

Benefits

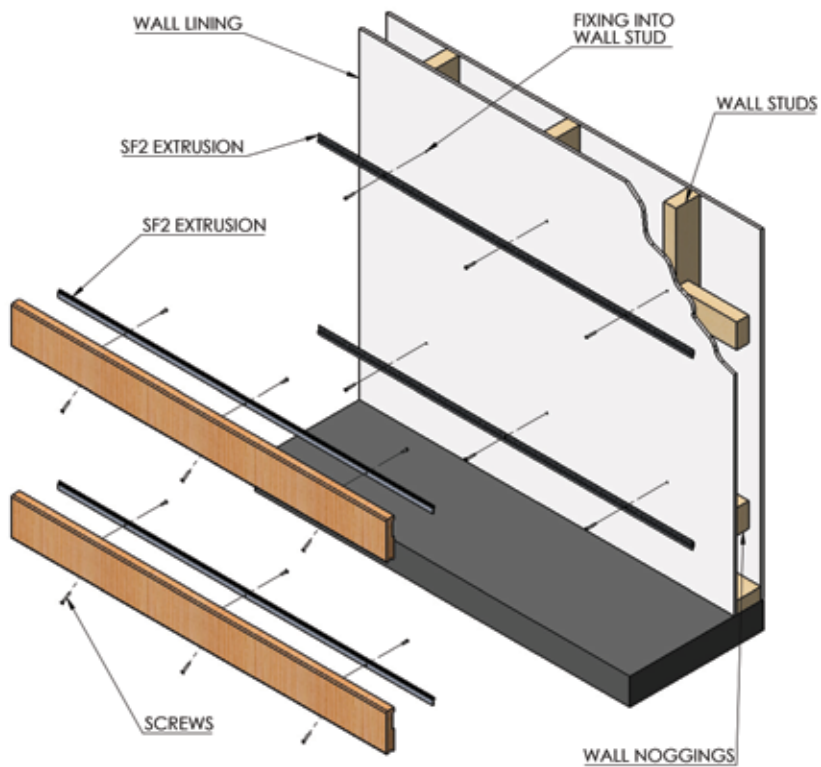
- Time saving of 407% on site as Intrim® BR04 Crash Rail is delivered to site, cut to length, ready to go on the wall with our unique concealed fix system.
- Pre-finished with a triple layer of hard wearing, durable coating prior to delivery therefore eliminating coating on site and problems associated with a wet trade.
- Cost saving of 35% as sanding and coating are completed through our high speed coating line rather than manual application on site.
- Project completion shortened as elimination of on-site coating can sometimes save days or weeks of time on larger projects.



Typical Assembly



BRO4 Exploded Wall Section



BRO4 Typical Layout



1
- Radiography
- X-ray
- Podiatry
- Operating Theatre
- Theatre Services
- X-ray Services
- X-ray



BR04 Bump Rail

Intrim Dowel Handrail System



Create a warm, homely feel with natural timber dowel handrail. Ideal for health and aged care centres.

The Intrim Dowel Handrail System is a continuous handrail system which is predominantly used in aged care and retirement centres, but will suit any commercial or residential application. Available in 50mm and 40mm diameter straight rail with a variety of preformed timber bends or corners to create a continuous dowel handrail system. This handrail is readily available ex stock in Tasmanian Oak or Victorian Ash.

Benefits

- Ease of installation due to preformed bends.
- Cost effective handrail system.
- Complies with Australian standard AS1428. 1-2009.
- Great aesthetics and ergonomics.
- Readily available.
- Available in raw Vic Ash timber for finishing on site.





Dowel Handrail

Components



Dowel Rail 40

Dowel Handrail Lengths

40mm diameter rail (Random Lengths)
Tas Oak/ Vic Ash - DOW40T



90° Bend x 55mm Radius

40mm diameter
Tas Oak/ Vic Ash - DB4090ST



End Cap

40mm diameter
Tas Oak/ Vic Ash - DEC40T



Multi-groove Joining Dowel

16mm diameter x 60mm length, Bag of 100 pcs
DJD16



Drilling Jig

16mm Drill and Collar, suits 40mm and 50mm diameter
DJK40-50



Standard Handrail Bracket

Stainless Steel
HB02CS - Curved Saddle Bracket
HB05 - Curved Saddle Stair Bracket 80mm wall screw
HB03S - Stair Bracket 80mm threaded
HB07S - Stair Bracket 52mm threaded



Decorative Handrail Brackets

80mm
SB2CP - Chrome plated
SB2BF - Bronze Florentine
SB2GP - Gold Plated
SB2SC - Satin chrome



Modern Handrail Bracket

HB08SB - Satin Black Slimline



Drilling Jig

40mm diameter handrail
DJH40

Dowel Rail 50

50mm diameter (Random Lengths)
Tas Oak/ Vic Ash - DOW50T

50mm diameter
Tas Oak/ Vic Ash - DB5090ST

50mm diameter
Tas Oak/ Vic Ash - DEC50T

16mm diameter x 60mm length, Bag of 100 pcs
DJD16

16mm Drill and Collar, suits 40mm and 50mm diameter
DJK40-50

Stainless Steel
HB02CS - Curved Saddle Bracket
HB05 - Curved Saddle Stair Bracket 80mm wall screw
HB03S - Stair Bracket 80mm threaded
HB07S - Stair Bracket 52mm threaded

80mm
SB2CP - Chrome plated
SB2BF - Bronze Florentine
SB2GP - Gold Plated
SB2SC - Satin chrome

HB08SB - Satin Black Slimline

40mm diameter handrail
DJH40

50mm diameter handrail
DJH50

— MAKING —
INTERIORS
Spectacular



INTRIM[®]

Architectural Timber Mouldings & Profiles

P 1800 622 081

E info@intrimmouldings.com.au

intrimmouldings.com.au

EST. 23 YEARS

NATIONWIDE DELIVERY