



ACCESSIBLE WALL MOUNTED DRINKING FOUNTAIN



RBA8900-428 Accessible Wall Mounted Drinking Fountain

Materials & Features

RBA Wall Mounted Drinking Fountains are manufactured from 1.6mm, type 304 stainless steel with all exposed surfaces in #4 satin finish. Units incorporate integral splashback for hygiene & ease of cleaning. Smooth radiused design eliminates sharp corners, which can cause injury.

Inlet: 1/2" BSP

Outlet: Integral perforated drain. Furnished with 40mm BSP waste outlet.

Bubbler: Supplied with bright polished stainless steel bubbler, including anti-squirt feature

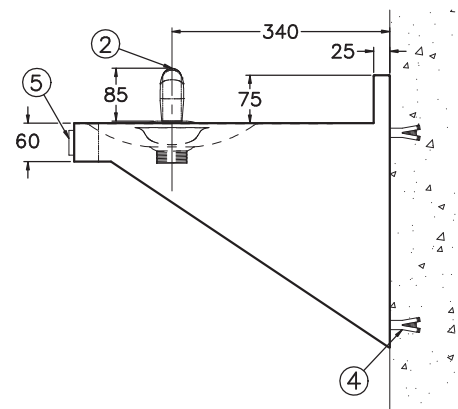
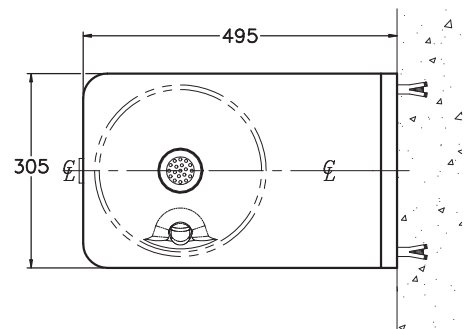
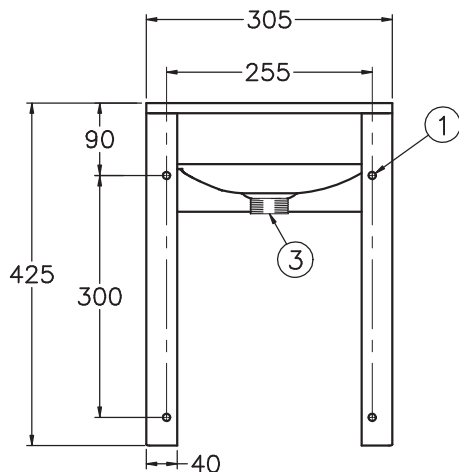
Button: Self-closing Chrome plated brass valve for high vandal resistance includes luminance contrast indicator [as per AS1428.1-2009 APP. B]

Installation

Ensure wall construction is suitable to support the unit. Mount unit to wall with S-clip provided. Fixings screws not furnished. To suit the requirements of AS1428.2-1992, fountain rim should be mounted 695-700mm above FFL.

Important: Installation instructions and current rough-in details should be furnished with each fixture. Do not rough in without certified dimensions. Dimensions are subject to manufacturer's tolerance of +/-10mm.

- ① 10mm Diameter Anchoring Holes
- ② Drinking Bubbler
- ③ 40mm BSP Waste Connection
- ④ Installer Provided Wall Anchors And Anchoring Hardware
- ⑤ Pushbutton/Valve Assembly



As improvements in the design and performance of RBA products are continuous, specifications may be subject to change without notice. The illustrations and descriptions herein are applicable to production as of the date of this Technical Data Sheet. Revised 04/12

© 2012 by RBA Group TD/Model RBA8900-428/0412