

SmartJoist Design Guide



Introducing the SmartFloor®

Another first from SmartFrame

Now your SmartFrame floor system can be supplied precision docked*, with the web penetrations pre-cut to your specifications and even manufactured into cassette systems. Each cassette comes labelled with its identifying number to match the colour layout (up to A1) supplied as part of the order.

This provides the builder with an industry benchmark level of information to aid quick and correct installation, and allows for easy installation of services.

SmartFloor combines the speed and efficiency of SmartJoists with the flexibility of open webbed truss systems, without the need for the installation of strong-backs associated with open webbed trusses.

Now that's a SmartFloor!

We provide the most complete offer in floor systems, and it's totally electronic.

Smart Floor

CASSETTE FLOORING SYSTEMS



TEC BEAM

- Efficiencies & Savings
- Precision Docking
- Pre-cut Penetrations
- Free Take-off Service
- Individual Identification
- Free Design Software



Send us your plans, or do it yourself with our free design software. It's the smart thing to do!

Design	Layouts	Docking	Penetrations	Identification

SmartJoist® Design Guide

Scope of this publication		1
Product information and warranty		2
About floor performance		3
Designing with SmartJoists		4
Recommended maximum spans		
	- Table 1	5
	- Table 2	5
	- Table 3	6
	- Table 4	6
SmartJoist design/effective span		7
Safety and SmartJoists installation		8
Handling and storage		8
Durability and exposure to moisture		9
SmartJoist—General Information	End nailing, rimboard and sheet nailing	9
Typical SmartJoist floor details		
	1. Blocking and lateral restraint	10
	2. Interior supports	11
	3. Blocking and wall plates	11
SmartJoist/SmartRim blocking capacities		12
Penetrations within SmartJoist/SmartRim blocking		12
Joist hangers		13
General connector installation details		15
Field repair to damaged SmartJoists		16
Typical SmartJoist floor framing		17
Typical SmartJoist floor construction details		
	- End blocking	17
	- Interior loadbearing and bracing walls	18
	- Non loadbearing cantilevers	18
	- Backer and filler blocks	19
	- Concentrated loads on SmartJoists	20
	- Multiple SmartJoist members	20
	- Limited end notching at supports	21
	- Example fixing to steel beams	21
	- Example fixing to masonry walls	23
	- Tie down for bracing walls	23
	- Cyclone rods tie down for cantilevered SmartJoists	25
Joist/beam connections supporting concentrated loads		25
Multiple member beams supporting SmartJoists		27
Rafter cut for SmartJoist floor joists		28
Oblique connection options		28
Brick ledge cantilever details		29
SmartJoist hole and duct charts		30
Openings within SmartJoist floors		33
SmartJoist loadbearing cantilevers		35
SmartJoists under parallel load bearing walls		36
SmartJoists as rafters		39
Typical SmartJoist roof details		40
SmartJoist rafter tie-down		43
Typical SmartJoist box gutter details		43
Building envelope watertightness - deck		44
Safe loading of materials on SmartJoist working platforms		45
Fire safety and sound transmission		46
SmartGuard Preservation treatments		46
Adhesive and formaldehyde fact sheets		47

Scope of this publication

This Design Guide and Load Tables assists in the selection of SmartJoists for most of the common structural arrangements met in domestic construction. The SmartFrame website (www.tilling.com.au) and SmartFrame software, in conjunction with this manual, provides an unparalleled level of design capacity for SmartFrame engineered timber products.

While specific details are given on suitable methods of developing lateral restraint, the methods of providing adequate support, adequate anchorage against wind uplift and overall structural stability are outside the scope of this publication.

Information on the above matters can be obtained from AS1684 Residential timber-framed construction code or from a structural engineer experienced in timber construction.

Tilling Timber Pty Ltd has structural engineers on staff who can be contacted for advice on matters concerning the use of its engineered timber products in timber construction on the Tech Support Customer Helpline on 1300 668 690 or at techsupport@tilling.com.au.

Substitution of other products

All load tables in this document are designed using in-grade tested properties for SmartJoists as manufactured by Pacific Woodtech Corporation of Washington State, USA. Other manufacturers I-Joists may have different properties and, therefore, cannot be designed using these span tables.

Copyright of this publication remains the property of Tilling Timber Pty Ltd, and reproduction of the whole or part of this publication without written permission from Tilling Timber Pty Ltd is prohibited.

Certification

As a professional engineer, qualified and experienced in timber engineering, I certify that the use of the SmartJoist members as shown in these tables, and installed in accordance with the provisions of this Design Guide, will comply with the requirements of the Building Code of Australia. These span tables have been prepared in accordance with standard engineering principles, the relevant test reports and Australian standards, i.e. -

- AS 1684.1 Residential timber-framed construction
- AS 1170.1 Structural Design Actions – Permanent Imposed and other actions
- AS 1720.1 Timber Structures - Design Methods
- AS 4055 Wind loads for Houses
- ASTM D 5055 Standard specification for establishing and monitoring structural capacities of prefabricated wood I-Joists

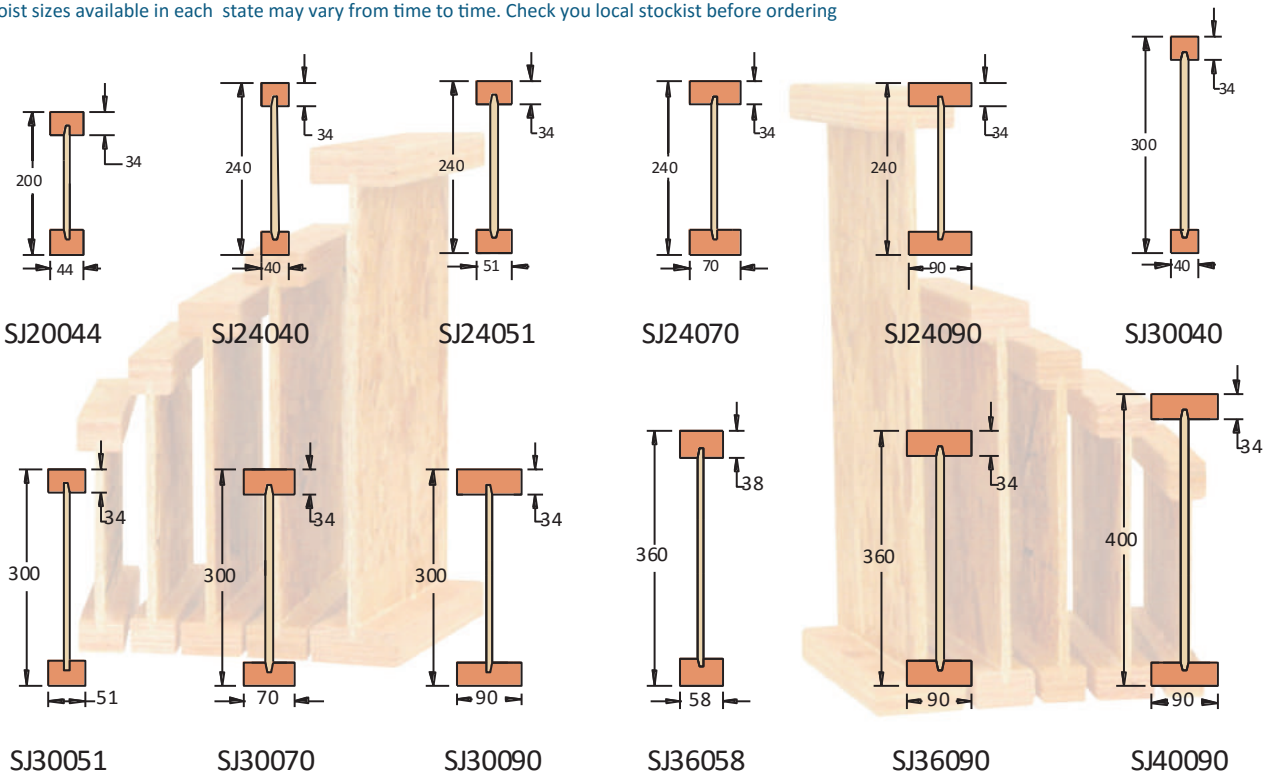
Craig Kay

Craig Kay RPEng, EC-1961, RPEQ-5100, BPB0730, CC5635 C, NER
Engineering Manager

Copyright

Flange width 40, 44, 51, 58, 70 and 90 mm web thickness : 9.5 mm, for 40, 44, 51, 58, and 70 mm flanges: 11.5 mm for 90 mm flanges

SmartJoist sizes available in each state may vary from time to time. Check you local stockist before ordering



SmartJoist dimension tolerances: depth: +0 -3 mm, Flange width: +/- 1 mm, flange thickness: no plus limitation -2 mm.

The information contained in this product brochure is current as at Sept 2016 and is based on data available to Tilling Timber Pty Ltd at the time of going to print. Tilling Timber Pty Ltd has used its reasonable endeavours to ensure the accuracy and reliability of the information contained in this document and, to the extent permitted by law, will not be liable for any inaccuracies, omissions or errors in this information nor for any actions taken in reliance on this information. Tilling Timber Pty Ltd reserves the right to change the information contained in this document without prior notice. It is important that you call the Tech Support Customer Helpline on 1300 668 690 to confirm that you have the most up to date information available.

- The SmartFrame Engineered Wood System is made up of:
- World class engineered timber products:
 1. SmartJoist
 2. SmartLVL
 3. SmartLam Glulam's
 4. Tecbeam
 5. CLT
- Unique SmartFrame Structural Design, Detailing and Estimating Software
- Full engineering support and technical advice from experienced engineers and field staff free of charge on our unique Tech Support Customer Helpline 1300 668 690.

SmartJoists

The strength is in the engineering:- Strong. Stiff. Reliable. SmartJoists are engineered for heavy performance. We start with ultrasonically graded LVL, bonded with exterior adhesive for more load carrying capacity.

The webs are made from stable, strong Oriented Strand Board (OSB) for superior strength and consistent performance. SmartJoists are more uniform than solid sawn joists. They stay straighter and are manufactured with no camber, so there is no chance of crown down or upside down installation. They resist shrinking, twisting, warping and splitting for squeak resistant floors and quality roofs and ceilings.

Holes may be easily cut in the web according to the tables on page 30, allowing ducts and utilities to be run through the joists. Pre-punched 40 mm knockout holes are provided in the web for small diameter services or wiring.

Save Time and Money:- Because they weigh less than solid sawn joists, SmartJoists are easier to install, saving construction time and cost. Their greater load carrying capacity allows you to space them further apart, so it takes fewer to build the average floor or roof. And with five (5) depths from 200 to 400 mm, you will never

have to compromise your design. So whether your plans call for cantilever beams in balconies, cathedral roofs or high pitched roof slopes, SmartJoists are the perfect choice.

An Environmentally Sound Choice:- In addition to being cost effective, SmartJoists are also an environmentally sound choice because they are made of a renewable resource – wood. So they are a better choice for building. SmartJoists have a certified Chain of Custody system to PEFC.

SmartFrame Software:- Our unique SmartFrame design, detailing and estimating software offers you unparalleled design and estimating capabilities with engineered timber. You will get accurate designs for a wide variety of applications, printouts and joist layouts.

Limitations of use - SmartJoists.

SmartJoists are to be used in dry interior environments only, fully enclosed from exposure to exterior moisture. SmartJoists are suitable for subfloor applications provided that the subfloor space is ventilated as per the BCA requirements. This means that SmartJoists must not be exposed to environments where the equilibrium moisture content of the joist will exceed 18%. Tilling Timber will not guarantee SmartJoists that have been left exposed to the weather either prior to or during construction for more than 90 days.

Detailing such as cladding or lining must be used in moisture laden environments (commercial kitchens, bathrooms, wet industrial areas, saunas, swimming pool and spa rooms etc.) and constructed in such a way as to prevent exposure of the SmartJoist to moisture.

SmartJoists may be used in applications which are often exposed externally (gable ends, eaves, floor joists applications in elevated houses, cantilevered joists etc.) but must be sufficiently enclosed with a suitable cladding, lining etc. to completely prevent the exposure of the SmartJoist to moisture.

SmartFrame Consumer Product Warranty

Tilling Timber guarantees that SmartFrame Engineered Timber products have been manufactured to exacting standards and are free from defects in workmanship and materials.

At Tilling Timber, we take great pride in SmartFrame products, so if you bring to our attention problems such as squeaks that you believe are caused by our products, we guarantee that a technical representative will contact you promptly to evaluate the issues and provide advice to help solve the problem

Providing that any SmartFrame product is correctly designed, handled and installed, any problem caused by an unlikely defect will promptly be remedied at no cost to you.

This guarantee remains valid for the expected life of your home.

Tilling Timber Pty Ltd
31-45 Orchard Street
Kilsyth Vic 3137

Priority call: 1300 668 690 e-mail: techsupport@tilling.com.au

General information - about floor performance

The “feeling” that is identified when a person walks on a floor is very subjective. Some people want to feel a very stiff floor and others want some “give” so that it softens the footing. When people say the floor “bounces”, it may be vibrating. This sensation is often caused by lack of dead load such as furniture, direct applied ceilings or other materials to absorb or dampen the vibration.

The AS 1684.1–1999 standard introduced a 1.0 kN static load applied at mid-span as a serviceability equation to simulate the foot force effect on the design of floor joists. The differential deflection caused by this 1 kN load is limited to 2 mm.

This criteria was developed for solid section floor joists up to 6 m spans, and in some cases, experience is now showing that at the 2 mm limit, the floor performance of lightweight I-Joist floors (especially without ceilings below e.g. subfloors) may be considered unfit for purpose by some people.

The two (2) alternative SmartJoist Span Table shown in this manual have been designed to meet the strength and serviceability criteria of:

- **Table 1 - AS 1684.1–1999** In this table the strength and serviceability limits of AS 1684.1 - 1999 have been used along with the recommended dynamic requirements.
- **Table 2 - SmartJoist Preferred Dynamics.** In this table the strength and serviceability limits of AS 1684.1 - 1999 have been supplemented with a EN 1995-1-1-2004 serviceability equation to better model foot force effects on I-Joist floors. This approach has been demonstrated to produce stiffer floors for those wanting a firmer feel in their timber floor.

Both tables list MAXIMUM recommended joist spans, and therefore shorter spans in most cases should produce stiffer floors.

Factors that can affect floor dynamic performance

- The choice of flooring system
- The depth, stiffness and mass of the joists
- Spacing of joists
- Fixing of sheathing to joists
- Stiffness and mass of floor sheathing
- Mass and stiffness of ceiling materials
- Method of installation
- Location and type of internal partitions and furniture

Factors that can improve floor dynamic performance

- Glue/nailed and glue/screw floors will perform better than floors secured by nails alone.
- Deflection of the sheathing material between joists can be reduced by decreasing the joist spacing or using a thicker and/or stiffer sheathing.
- Proper installation is essential for dependable performance. Adequate and level support for the joists is necessary, as is correct fastening of the joists and sheathing.
- The installation of a ceiling to the bottom flange of the joists or a similar mass/loading sharing system.

While between joist blocking has been traditionally used to provide some improvement to floor dynamic performance of solid timber joists, both testing and long experience show limited if any improvement to the dynamic performance by midspan blocking of I-Joist floor systems with simple blocking.

If floor dynamic performance is a concern to either the client, designer or contractor, then the above variables can be altered, or additional methods be incorporated to improve dynamic performance.

Further information on the dynamic performance of lightweight timber floors can be obtained by calling the Tech Support Customer Helpline on 1300 668 or

at techsupport@tilling.com.au.

Large area ceramic tiled floors

The modern trend to large size ceramic tiles has introduced a new design challenge for all floor substrates. Smaller numbers of grouted joints between larger tiles means that any deflection of the floor has to be larger per grouted joint, thus increasing the probability of cracking.

AS 3958.1—2007 (includes amendment 1-2010) Ceramic tiles Part 1: Guide to the installation of ceramic tiles limits the total deflection of the floor (Dead Load + Live Load) to L/360. This supplementary deflection limit is not one that is normally considered in the design of timber floors.

The spans listed within **Tables 2-4** meets the additional AS 3958.1—2007 Ceramic tiles Part 1: Guide to the installation of ceramic tiles deflection limits.



Designing with SmartJoists®

The design information contained within this Design Guide is for the properties of SmartJoist® I-Joists only. Other manufacturers' I-Joists may have different properties and therefore cannot be designed using this information.

Characteristic properties

Dimensional tolerances:	Length	± 10 mm
	Depth	+0, -3 mm
	Flange width	± 10mm
	Flange thickness	No plus limitation, -2
Treatment options:	H2s(standard) and H2 treatment to AS 1604.2 and AS 1604.4	

SmartJoist Code	Depth (mm)	Flange width (mm)	Flange Thickness (mm)	Web thickness (mm)	Self weight (kg/m)	Moment (kN.m)	Shear (kN)	EI x 10 ⁶ (kN.mm ²)	GJ x 10 ⁶ (N.mm ²)	GA _w x 10 ⁶ (N.mm ²)	End reaction (kN)	Max interior reactions	
												42 mm bearing (kN)	90 mm bearing (kN)
SJ20044	200	44	35	9.5	2.67	10.0	10.5	355	997	1.78	8.60	14.7	19.64
SJ24040	240	40	35	9.5	2.75	11.1	13.1	499	907	2.27	8.60	14.7	19.64
SJ24051	240	51	35	9.5	3.21	14.5	13.1	635	1156	2.27	9.48	17.0	22.43
SJ24070	240	69	35	9.5	3.98	19.8	13.1	852	1564	2.33	11.22	20.5	25.11
SJ24090	240	90	35	11.5	5.09	25.8	16.2	1066	2017	2.27	12.10	25.7	33.17
SJ30040	300	40	35	9.5	3.12	14.4	17.0	844	907	3.01	8.60	14.7	19.64
SJ30051	300	51	35	9.5	3.58	18.7	17.0	1069	1156	3.01	9.48	17.0	22.43
SJ30070	300	69	35	9.5	4.35	25.6	17.0	1432	1564	3.01	11.22	20.5	25.11
SJ30090	300	90	35	11.5	5.54	33.3	20.7	1790	2017	3.01	12.10	25.7	33.17
SJ36058	360	58	38	9.5	4.42	28.3	20.9	1953	1683	3.67	11.23	21.4	24.1
SJ36090	360	90	35	11.5	5.98	40.8	25.2	2793	2017	3.66	12.10	25.7	33.17
SJ40090	400	90	35	11.5	6.28	45.9	28.3	3541	2017	4.23	12.10	25.7	33.17

Partial seasoning factor

Strength reduction factors

The strength reduction factor for calculating the design capacities of structural members shall be taken from the table below, referenced from AS 1720.1 –2010

Application of SmartJoist as a structural member		
Category 1	Category 2	Category 3
Structural members for houses for which failure would be unlikely to affect an area greater than 25 m ² ; OR secondary members in structures other than houses	Primary structural members in structures other than houses; OR elements in houses for which failure would be likely to affect an area* greater than 25 m ²	Primary structural members in structures intended to fulfil essential services or post disaster function
Strength reduction factor ϕ^*		
0.95	0.90	0.80

* AS 1720.1:2010 Table 2.1

Duration of load

The duration of load factor k_1 for strength is defined within clause 2.4 of AS 1720.1.

Duration of action	Bending and shear
Short term ≤ 1 day	1.0
Long term > 12 months	2.0

Deflection (Bending deflection + shear deflection)

Bending deflection—use standard engineering formula
Shear deflection - for a uniformly distributed load w , over a span L

$$y = j_2 \left(\frac{5wL^4}{384EI_x} + \frac{wL^2}{8G_w A_w} \right)$$

SmartJoists are a seasoned timber product, generally k_4 equals 1. Where the SmartJoists are subjected to conditions in which the average moisture content for a 12 month period is expected to exceed 15%, the characteristic capacity shall be decreased. The value of k_4 shall be the greater of:

- $k_4 = 1.0 - 0.3 \frac{EMC - 15}{10}$
- $k_4 = 0.7$

Where EMC is the highest value of the annual moisture content (percent) that the timber will attain in service.

Length and position of bearing

The k_7 bearing factor is defined is clause 2.4.4 of AS 1720.1

Load sharing

Because of the reduced variability of strength values of SmartJoist compared to solid timber, the load sharing factor $k_9 = 1.0$.

Stability

The stability factor k_{12} is defined within Appendix E of AS 1720.1

2.8 Temperature

For covered timber structures under ambient conditions, no modification for strength need be made for the effect of temperature (i.e., k_6 equals 1.0) except that where seasoned timber is used in structures erected in coastal regions of Queensland north of latitude 25°S, and all other regions of Australia north of latitude 16°S, the strength shall be modified by a factor k_6 of 0.9.

Recommended maximum spans for lightweight residential floors

General domestic - 1.5 kPa

Loadings: Permanent Loading G: self weight + 40 kg/m² + 0.5 kPa of live load permanently applied, live load Q: 1.5 kPa or 1.8 kN point live load

In compiling the span tables in this manual, the requirements of the relevant Australian standards and codes along with established Industry standard design guidelines for Residential Construction have been followed. In particular, the following codes and references have been used:

- AS 1684.1 Residential timber-framed construction
- AS 1170.1 Structural design actions – permanent imposed and other actions
- AS 1720.1 Timber Structures - design methods
- AS 4055 Wind loads for houses
- AS/NZS 4063 Characterisation of structural timber
- ASTM D 5055 Standard specification for establishing and monitoring structural capacities of prefabricated wood I-Joists

Serviceability criteria:

Max dead load deflection - lesser of span / 300 or 15 mm ($j_2 = 2$)
 Max live load deflection - lesser of span / 360 or 9 mm

Table 1 - AS 1684.1-1999 Floor dynamics criteria

1. Minimum floor Natural Frequency - 8 Hertz
2. Maximum differential deflection between joists of 2 mm under a concentrated load of 1.0 kN mid-span to simulate the foot force effect on the design of floor joists.

Joist spacing (mm)		300	400	450	600	300	400	450	600
SmartJoist code	Self weight (kg/m)	Maximum floor joist span (mm)							
		Single span				Continuous span			
SJ20044	2.8	4650	4300	4050	3650	5300	4900	4750	4350
SJ24040	3.0	5100	4700	4550	4150	5800	5350	5200	4900
SJ24051	3.4	5400	4950	4800	4450	6200	5650	5500	5200
SJ24070	4.0	5700	5350	5150	4800	6600	6050	5900	5500
SJ24090	5.0	6100	5650	5500	5050	7000	6450	6300	5950
SJ30040	3.4	5800	5350	5200	4800	6600	6100	5900	5650
SJ30051	3.9	6150	5650	5550	5100	7000	6500	6250	5900
SJ30070	4.3	6600	6100	5900	5400	7500	6900	6700	6300
SJ30090	5.5	6950	6450	6300	5800	7950	7350	7100	6700
SJ36058	4.8	7150	6550	6350	5850	8150	7500	7250	6900
SJ36090	5.9	7700	7150	6950	6400	8850	8150	7900	7500
SJ40090	6.2	8200	7500	7350	6800	9400	8650	8400	7800

Table 2 - SmartJoist preferred Floor dynamics criteria (modified Eurocode)

1. Minimum floor Natural Frequency - 8 Hertz
2. Maximum differential deflection between joists of:
 - 1.8 mm for spans ≤ 4200 mm
 - $1700/L^{1.1}$ for span ≥ 4200 mm
 under a concentrated load of 1.0 kN mid-span to simulate the foot force effect on the design of floor joists.

Joist spacing (mm)		300	400	450	600	300	400	450	600
SmartJoist code	Self weight (kg/m)	Maximum floor joist span (mm)							
		Single span				Continuous span			
SJ20044	2.8	4650	4100	3850	3450	5200	4600	4400	4000
SJ24040	3.0	5100	4500	4300	3950	5700	4950	4800	4450
SJ24051	3.4	5400	4750	4550	4200	6050	5300	5150	4700
SJ24070	4.0	5750	5100	4900	4550	6400	5750	5500	5100
SJ24090	5.0	6100	5400	5250	4850	6800	6100	5850	5400
SJ30040	3.4	5800	5050	4900	4550	6500	5700	5450	5050
SJ30051	3.9	6150	5400	5200	4850	6900	6050	5800	5300
SJ30070	4.3	6600	5700	5550	5200	7300	6450	6200	5750
SJ30090	5.5	6950	6100	5900	5500	7700	6900	6600	6100
SJ36058	4.8	7150	6200	6000	5650	7900	7000	6700	6200
SJ36090	5.9	7700	6800	6550	6100	8600	7600	7350	6750
SJ40090	6.2	8200	7200	6900	6500	9050	8100	7750	7150

Recommended maximum spans for residential floors with ceramic tiles

General domestic - 1.5 kPa

Table 3 - SmartJoist –65 kg/m² - grout and tiled floor

1. Minimum floor Natural Frequency - 8 Hertz
2. Maximum differential deflection between joists of:
 - 1.8 mm for spans ≤ 4200 mm
 - 1700/L^{1.1} for span ≥ 4200 mm
 under a concentrated load of 1.0 kN mid-span to simulate the foot force effect on the design of floor joists.
3. Total deflection of the floor (Dead Load + Live Load) to L/360 as per AS 3958.1—2007 (includes amendment 1-2010) Ceramic tiles Part 1: Guide to the installation of ceramic tiles

Loadings: Permanent Loading G: self weight + 65kg/m² + 0.5 kPa of live load permanently applied, live load Q: 1.5 kPa or 1.8 kN point live load

Joist spacing (mm)		300	400	450	600	300	400	450	600
SmartJoist code	Self weight (kg/m)	Maximum floor joist span (mm)							
		Single span				Continuous span			
SJ20044	2.8	4500	4100	3800	3450	5100	4550	4300	3900
SJ24040	3.0	4900	4500	4250	3900	5600	4850	4700	4400
SJ24051	3.4	5200	4700	4550	4150	5950	5200	5050	4600
SJ24070	4.0	5500	5050	4850	4500	6300	5700	5400	5000
SJ24090	5.0	5850	5350	5150	4750	6700	6000	5800	5350
SJ30040	3.4	5600	5100	4850	4500	6400	5600	5400	4950
SJ30051	3.9	5900	5350	5100	4700	6800	5950	5750	5250
SJ30070	4.3	6300	5750	5500	5100	7200	6400	6150	5700
SJ30090	5.5	6650	6100	5800	5450	7600	6800	6500	6050
SJ36058	4.8	6800	6200	5950	5500	7800	6900	6600	6100
SJ36090	5.9	7350	6800	6450	6000	8500	7550	7300	6700
SJ40090	6.2	7800	7100	6850	6350	8900	8000	7700	7100

Table 4 - SmartJoist –120 kg/m² - 40 mm grout and tiled floor

1. Minimum floor Natural Frequency - 8 Hertz
2. Maximum differential deflection between joists of:
 - 1.8 mm for spans ≤ 4200 mm
 - 1700/L^{1.1} for span ≥ 4200 mm
 under a concentrated load of 1.0 kN mid-span to simulate the foot force effect on the design of floor joists.
3. Total deflection of the floor (Dead Load + Live Load) to L/360 as per AS 3958.1—2007 (includes amendment 1-2010) Ceramic tiles Part 1: Guide to the installation of ceramic tiles

Loadings: Permanent Loading G: self weight + 120 kg/m² + 0.5 kPa of live load permanently applied, live load Q: 1.5 kPa or 1.8 kN point live load

Joist spacing (mm)		300	400	450	600	300	400	450	600
SmartJoist code	Self weight (kg/m)	Maximum floor joist span (mm)							
		Single span				Continuous span			
SJ20044	2.8	4000	3700	3550	3250	4700	4350	4150	3800
SJ24040	3.0	4350	4050	3900	3550	5100	4700	4550	4300
SJ24051	3.4	4600	4300	4150	3800	5400	5000	4850	4500
SJ24070	4.0	4950	4550	4400	4100	5800	5350	5200	4800
SJ24090	5.0	5200	4800	4650	4350	6050	5650	5500	5100
SJ30040	3.4	5000	4600	4450	4100	5850	5400	5250	4800
SJ30051	3.9	5250	4850	4700	4300	6150	5750	5550	5150
SJ30070	4.3	5600	5200	5000	4650	6500	6100	5950	5500
SJ30090	5.5	5900	5500	5300	4950	6900	6400	6250	5800
SJ36058	4.8	6050	5650	5450	5050	7100	6600	6450	5950
SJ36090	5.9	6500	6100	5900	5450	7600	7100	6900	6450
SJ40090	6.2	6950	6500	6250	5750	8100	7550	7300	6800

Recommended maximum spans for residential floors (cont'd)

Flooring:

Spans are suitable for solid timber, particle board and ply flooring. Floor sheathing glued and nailed to the joists will improve floor rigidity. Where a heavy overlay material is to be applied, such as thick mortar bed tiled or slate floors, the permanent load allowance should be increased to 1.2 kPa. A reduction of joist spacing can be used to accommodate this extra permanent load. A satisfactory result can be achieved by adopting the maximum spans for 600 mm and 450 mm spacing but installing the joists at 450 mm and 300 mm spacing respectively.

Continuous spans:

For beams which are continuous over two unequal spans, the design span and the "resultant span description" depend on the percentage difference between the two spans as shown below:

Span difference	Effective span	Resultant span description
10% max	main span	continuous
10 - 30%	1.1 x main span	continuous
above 30% diff	main span	single

$$\text{span difference} = \frac{(\text{main span} - \text{second span})}{(\text{main span} + \text{second span})} \times 100$$



SmartJoist Design / Effective span

Normal structural analysis uses the centreline representation of the member. The term "span" can be defined in a number of ways and these are defined as follows:

Clear Span. This is the distance between the faces of any support. It is generally the one easiest to measure and read from the drawings

Nominal span/centre-line span. This is the distance between the centre of the supports. This span is used to determine bending moments and deflections for continuous spanning members

Design span/Effective span. This is the span used for single span members to determine the bending moment, the slenderness of bending members and the deflections. In NZS 3603 this is the dimension referred to as "L", and is defined below.

Design span/Effective span is the distance between -

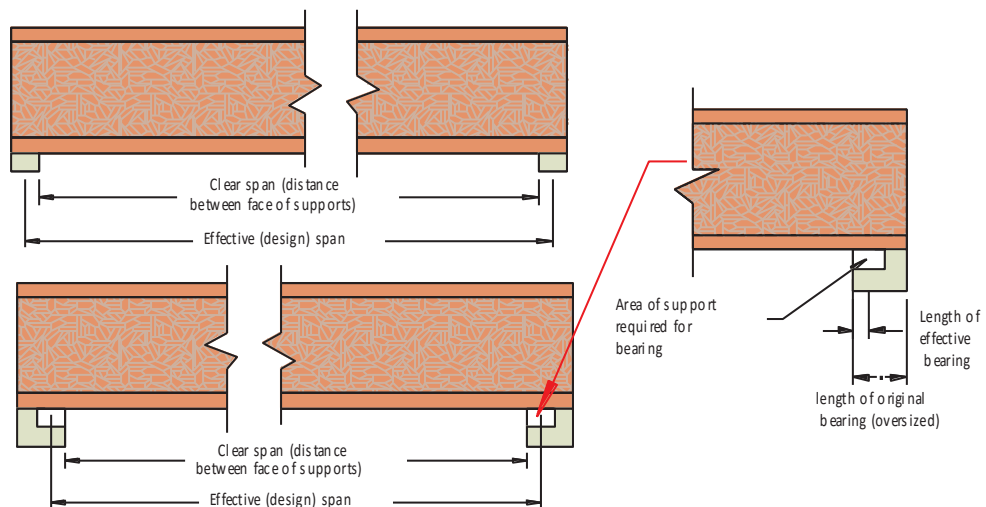
- The centre of the bearing at each end of a beam where the bearing lengths have NOT been conservatively sized
- The centre of notional bearing that have been sized appropriately, where the size of the bearing IS conservative.

Diagram (a) shows beam where bearings have been designed appropriately. The effective span is taken as the distance between the centre of each bearing area

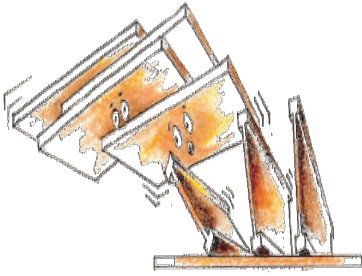
Diagram (b) shows beam where bearings at each end have been oversized. (This is frequently the case for beams that bear onto brickwork or concrete walls where the thickness of the wall is in excess of the area required to give the beam bearing capacity).

To find the correct effective span:

1. Calculate the minimum bearing required to carry the loads satisfactorily
2. Add minimum bearing length to "clear span" distance



Safety Warning



Do not allow workers or loads on SmartJoists until all blocking, hangers, rim joists, nailing and temporary bracing are installed as specified below. Serious accidents or injury can result from failure to follow these guidelines.

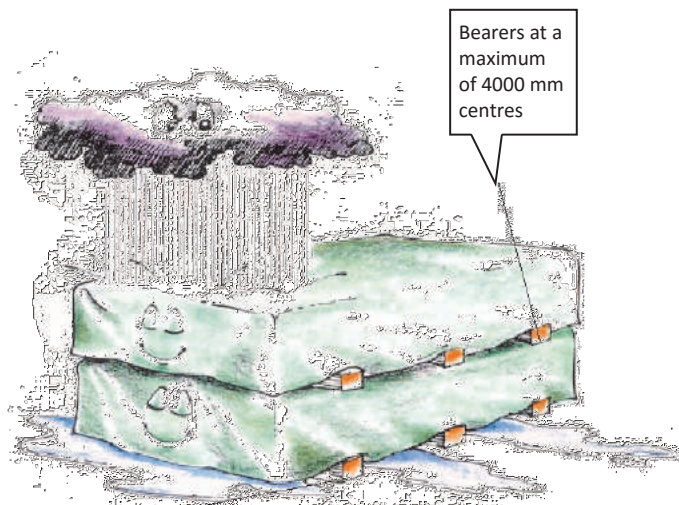


Accidents can be avoided under normal conditions by following these guidelines:

1. Brace each joist as it is erected. Joists must be nailed to supports and all hangers, blocking, rim joists. X - bridging at supports must be completely installed and properly nailed. (see general notes and details)
2. Brace the ends of cantilevers (overhangs) with closure panels, rim joist or x - bridging (see general notes and details)
3. Lateral brace the top flange of each joist, to prevent sideways buckling or rollover which may occur under light construction loads, such as a worker and/or a layer of un-nailed sheathing. Fully installed permanent sheathing or temporary struts to the top flange of each joist (see 'Typical SmartJoist floor framing') can accomplish lateral bracing. Temporary struts must be nailed to a lateral restraint at the end of bay such as a braced wall or temporary (or permanent) sheathing nailed to the first 1200 mm of the joist at the end of the bay (see 'Typical floor or roof framing')
4. Permanent sheathing must be completely installed and properly nailed before additional loads can be placed on the system
5. **The integrity and safe use of these products can be seriously impaired if they are damaged. Do not install any damaged products. Contact your SmartFrame representative or the Tech Support Customer Helpline on 1300 668 690 if any product damage is noted.**

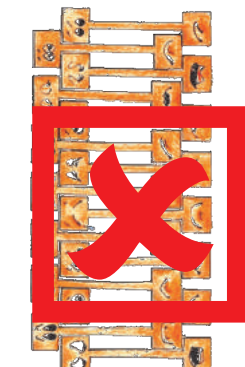
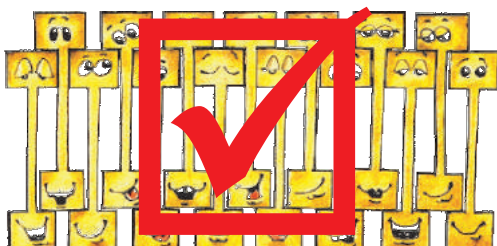
Handling and storage of SmartJoists

- Store SmartJoists flat on a hard, dry surface
- If surface isn't paved, the ground should be covered with a polythene film
- Keep covered with waterproof material that allows bundles to "breathe"
- Use bearers (bolsters) between the ground and the first bundle (4 metre max spacing)
- Use 100 x 50 timber flat between bundles at same spacing as bolsters
- Take great care to rewrap remaining material after opening bundles
- Wood "grows" in thickness and depth when allowed to get wet....KEEP DRY!
- Wood with high MC has short term reduction in Characteristic Strengths KEEP DRY!
- Under NO circumstances are stored SmartJoists to be in contact with the ground.



Use bearers to keep stacked material away from damp surfaces. Align bearer vertically

SmartJoists should be stacked in the upright position to avoid any damage during handling or storage.



Durability and exposure to moisture

SmartJoists are manufactured with Douglas Fir (Oregon) flanges with OSB webs, both having a durability rating of class 4, which is the same rating as some Ash type Eucalypts. Untreated SmartJoists should not be used where the equilibrium moisture content is likely to remain above 18 % for an extended period.

Untreated SmartJoists are suitable in the **internal, fully protected, ventilated** and the **external above ground, protected** zones of the structure as shown in appendix B of AS 1684. Untreated SmartJoist is not suitable for **external above ground, exposed** or humid indoor conditions, such as swimming pool enclosures.

Moisture effects on SmartJoists

SmartJoist is supplied WITHOUT any short term construction sealer, but once framed into a structure may be exposed to the weather for a limited time (not greater than 3 months) without negative affect, BUT, it may exhibit some effects of this exposure.

The wood fibre in SmartJoists, like all wood products, is hygroscopic, which means it has an affinity for water. The wood fibre in SmartJoist will readily take up and release moisture in response to changes in the local environment. Moisture exposure will lead to dimensional change. While the products will withstand normal exposure, excessive exposure during distribution, storage or construction may lead to dimensional changes that affect serviceability. These changes include twisting, bowing or expansion to dimensions to beyond the specified tolerance of the product in the “as-manufactured” condition.

As an organic material, mold and mildew may grow on untreated

wood products if moisture is present. Prolonged periods of high moisture may also support the growth of wood decay fungi, which is another reason to follow proper methods of storage and handling of SmartJoists.

The table below shows the moisture content of SmartJoists as a function of humidity.

Wetting during construction may lead to temporary elevated mois-

Moisture content of wood products % ⁽¹⁾		
Relative Humidity %	LVL Flange MC	OSB web
10	1.2	0.8
20	2.8	1.0
30	4.6	2.0
40	5.8	3.6
50	7.0	5.2
60	8.4	6.3
70	11.1	8.9
80	15.3	13.1
90	19.4	17.2

(1). Approximate moisture content at 21°C

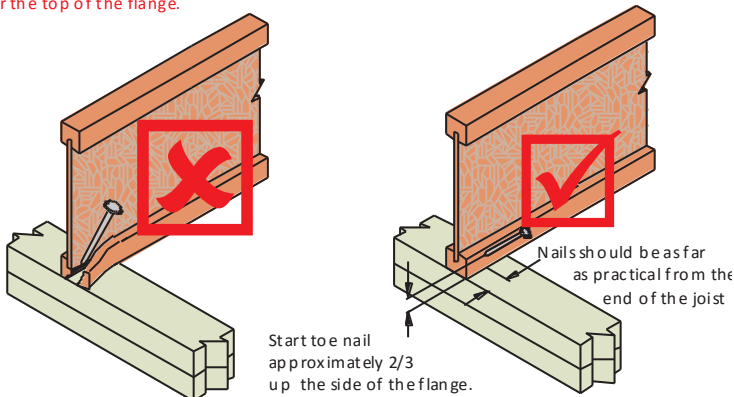
ture content and dimensional changes. Once covered, the SmartJoists will ultimately dry and re-equilibrate to the ambient humidity conditions, but some expansion or swelling may remain after drying.

SmartJoists - General information

- Except where otherwise noted, 30 mm minimum bearing is required at joist ends and 42 mm minimum bearing is required at intermediate supports.
- Nail joists at each bearing with 2 of 3.15 Φ x 65 nails, using one each side placed 30 mm from the end to avoid splitting as per detail below.

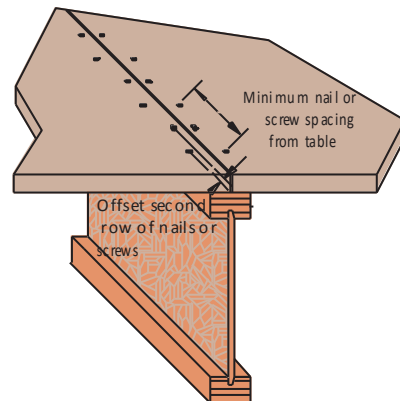
Do NOT start toe nail into the corner of the flange or the top of the flange.

MAXIMUM Nail diameter 3.15 mm



- SmartJoist blocking or SmartRim - face nail to bearing plate with 3.15 Φ x 65 nails at 150 mm centres. Nail rim joist to the end of the top and bottom flange of each SmartJoist with 1 off 3.15 Φ x 65 nail, use 1 off 3.75 Φ x 75 nail top and bottom with joists with 58, 70 or 90 mm wide flanges.
- 17-19 mm SmartRim - toe nail to bearing plate with 3.15 Φ x 65 nails at 150 centres or 4.5 Φ x 75 nails at 300 centres. Nail rim to the end of the top and bottom flanges of each SmartJoist with 1 3.15 Φ x 65 nails.
- Sheathing nailing to top flange (Joists must be fully braced be-

fore sheathing is nailed or screwed) is detailed below



Minimum single row fastener spacing into SmartJoist flanges

Fastener type and size	SmartJoist flange width				
	40 mm flange	44 mm flange	51 mm flange	58-70 mm flange	90 mm flange
Nails					
2.8 x 60	75	75	50	50	50
3.15 x 60	100	90	75	75	75
Screws					
9g x 45	150	150	75	75	75
10g x 50	150	150	100	75	75

- Do not use nails or screws larger than those shown above when attaching sheathing to flanges of SmartJoists
- Minimum nail spacing is shown above, maximum nail spacing is set by the flooring manufacturer, in absence of manufacturers data, 300 mm centres

SmartJoists - General notes (Cont'd)

- Tighter effective nail spacing may be obtained by offsetting nail rows a minimum of 12 mm and maintaining a 10 mm minimum edge distance.
7. All joists require lateral support at end bearings using blocking or rim material.
 8. The top flanges must be kept straight within 10 mm of the true alignment.
 9. All roof details are valid to a maximum angle of 35° (as per AS1684)
 10. All nails are steel nails complying with AS 2334 - 1980 Steel

nails - Metric series. Nail gun nails of similar length and diameter may be substituted for the above provided that they are manufactured with properties equivalent to the nails in the above code.

11. Install all hangers to the manufacturers installation instructions, taking particular attention to the use of the correct nails. Never use clouts or brads.
12. Prescriptive code requirements for mid span blocking of solid timber joists are not applicable to SmartJoists.

Typical SmartJoist floor details

Blocking and lateral restraint

General notes:

SmartJoists designed and constructed as per this Design Guide do not require mid-span blocking. The exception to this is for light-weight subfloors where there is no lining to the underside of the joists. For more information on this topic, see page 3 'ABOUT FLOOR PERFORMANCE'.

Blocking within a structure falls within two (2) quite distinct stages:

Temporary or during construction blocking to prevent roll over of joists before the installation of floor sheathing.

Permanent blocking to provide resistance to racking loads through the floor diaphragm, transfer of vertical wall loads and to provide torsional resistance to the end of the joist.

The provision contained within AS1684 Residential timber-framed construction code dealing with blocking for deep joists, is "during construction" or "temporary" blocking, designed only to prevent the roll over of the deep joists prior to the floor sheathing being attached. This level of blocking can form a part of any overall blocking system, but was never intended to provide the total amount of racking resistance or vertical load transfer requirements within this floor diaphragm.

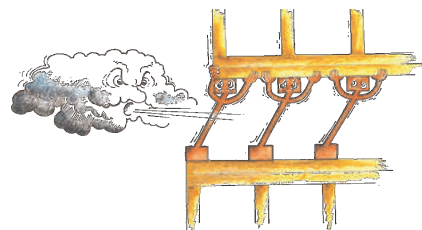
The lateral bracing requirements of the structure, unless there is full blocking of exterior walls, must be calculated in each individual case. Advice on this matter is obtainable from AS1684 Residential timber-framed construction code.

1.0 Joists bearing onto external walls

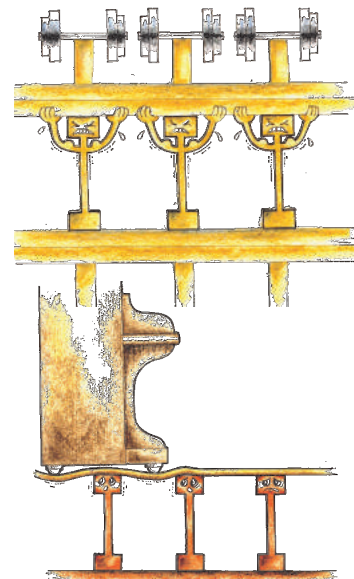
1.1 Loads at joist support connection

The ends of floor joists that bear onto a support experience external loads other than the floor dead and live loads, as shown. Any I-Joist, with it's small cross sectional area, needs to have its end bearing capacity considered as part of the design process.

Further, as a holistic approach to the consideration of the lateral stability of the complete structure, it is necessary to consider the availability of racking and shear resistance through the floor diaphragm.



1. Racking and shear effects due to wind and earthquake loads
2. Vertical loads on joists due to upper wall, floors and roof.



3. Un-slightly deflections in the edges of unsupported sheet flooring may be experienced if heavy items of furniture are placed close to sheet edges.

Typical SmartJoist Floor details (Cont'd)

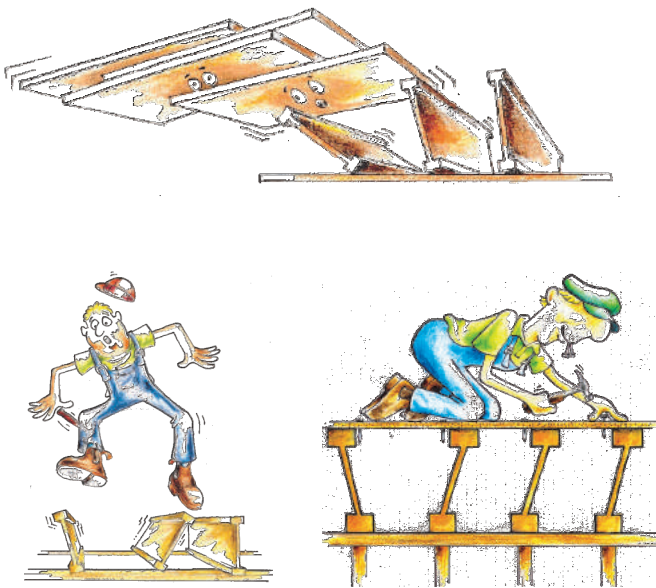
1.2 Stages of blocking/bracing

1.2.1 Temporary (during construction) end blocking

Temporary or during construction blocking of the ends of joists over external wall must comply with the requirements as shown in the "SAFETY WARNING" on page 6 and as shown in the "TYPICAL SmartJoist FLOOR FRAMING" diagram on page 14.

This is summarised as:

- Temporary struts, fastened to top of SmartJoist, connected back to braced supports.
- Temporary floor sheeting nailed to the first 1200 mm of joists at the end of the bay, in combination with struts, if no connection to a braced wall can be made.

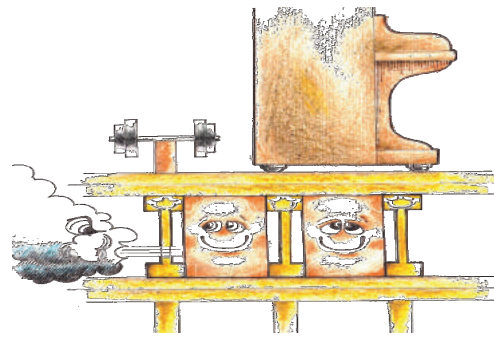


1.2.2 Permanent end blocking/bracing

Permanent blocking (bracing) to be effective in providing adequate transfer of racking and shear loads through the floor diaphragm must comply with the details as shown in "TYPICAL SmartJoist FRAMING" diagram on page 17. In essence, fully block the ends of all joists at their bearing point on external walls, as per one of the options shown in details F1- F4.

This permanent blocking/bracing provides:

1. A satisfactory mechanism to transfer racking loads through the floor diaphragm.
2. Vertical load transfer independent of the floor joist.
3. Support to the end of the floor sheeting (Platform floors only). Heavily loaded furniture legs have been known to cause large deflections and even failures at the edges of sheet flooring.
4. Torsional restraint to the end of floor joists, improving the joists structural performance.



2.0 Interior supports

2.1 Ends of simple spans

Where SmartJoists are discontinuous over interior supports, install the temporary strut bracing as per "SAFETY WARNING" on page 8.

2.2 Continuous spans

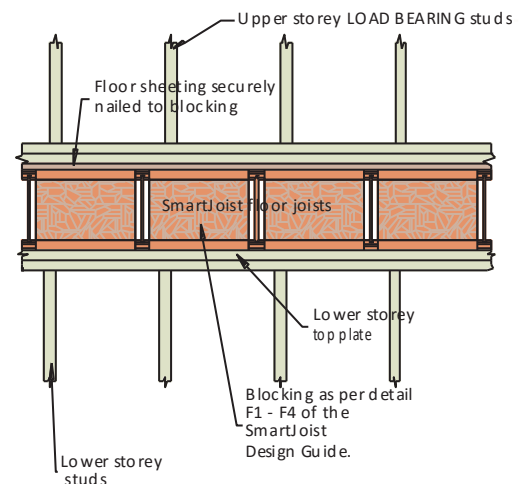
Continuous joists over internal supports do not require blocking, other than the temporary top flange struts as shown in the "SAFETY WARNING" on page 8, except in the following circumstances:

- Load bearing walls bear onto the joists at their support. (Details F7 or F8 apply)
- Shear resistance is required in internal walls (This is a function of shear resistance, and is not related to the structural adequacy of the joist itself.)

3.0 Blocking and wall plates

Wall plates in the frame are required to transfer vertical loads into the support structure below. These wall plates may be supported at 450 or 600 mm ctrs, thus acting as a beam between supports, bending about its weaker axis. When concentrated loads act at the centre of this wall plate, the bending and deflection effects can be quite significant. The full blocking of external and load bearing walls, as shown in details F1-F4, can act as a beam transferring these loads to the support structure below, thus reducing the beam effect of the wall plates.

Unless there is a requirement for double wall plates for a reason OTHER than the beam effect between supports, walls blocked as per detail F1-F4 and general notes #2, #3, and #4 provide sufficient beam action to allow single wall plates.



SmartJoist/SmartRim[®] Characteristic blocking capacities

SmartRim[®]

SmartRim rimboard is an alternative solution to blocking with SmartJoists (either long length of cut to length) to support vertical and lateral wall loads as part of a floor or roof framing system.

SmartRim is a 19 or 21 mm LVL (2 veneers are cross laminated for stability) and is sold in 3.6 m lengths, precision ripped to match the height of the SmartJoist range up to and including 360 mm. (400 mm SmartRim in QLD only). Fixing of rimboard is described in detail in SmartJoist—GENERAL NOTES item 3 on page 8 of this Design Guide.

SmartRim has a joint strength group of JD4 on the wide face for nails, screws and bolts.

SmartJoist/SmartRim Characteristic capacity (see notes below)		
Vertical load capacity (kN/m) ^{(1) (2)}		Horizontal load transfer capacity (kN/m) ^{(3) (4)}
SmartJoist	SmartRim	6.9
29	21	6.9

- Vertical load capacity above is for instantaneous load conditions and must be multiplied by the appropriate k_1 factor for load condition under consideration
- Vertical load capacity above already includes the k_{12} factor for up to 400 mm depth as per clause I2.3 of AS 1720.1
- Horizontal load capacity above is an instantaneous load condition, with the k_1 for lateral bracing loads usually 1.0
- The above horizontal load capacity is limited by the fixing of the SmartJoist / SmartRim to the frame and can ONLY be achieved if the fixing detail on page 8 of this SmartJoist Design Guide is strictly adhered to.

Penetrations within SmartJoist and SmartRim blocking

The maximum allowable hole size for a SmartJoist/SmartRim shall be $\frac{2}{3}$ of the rim board depth as shown below.

The length of the SmartJoist/SmartRim segment containing a hole shall be at least 8 times the hole size.

SmartJoist hole sizes and corresponding minimum length		
SmartJoist/SmartRim Depth (mm)	Maximum allowable hole size ^{(a) (b)} (mm)	Minimum length of SmartJoist/SmartRim board segment ^(c) for the maximum allowable hole size (mm)
200	130	1050
240	160	1280
300	200	1600
360	235	1900
400	265	2100

- These hole provisions do not apply to SmartJoist/SmartRim installed over openings such as doors or windows
- The diameter of the round hole or the longer dimension of the rectangular hole
- The lengths of the SmartJoist/SmartRim segment per wall line. For multiple holes, the minimum length of SmartJoist/SmartRim segment shall be 8 times the sum of all hole sizes

Application Notes

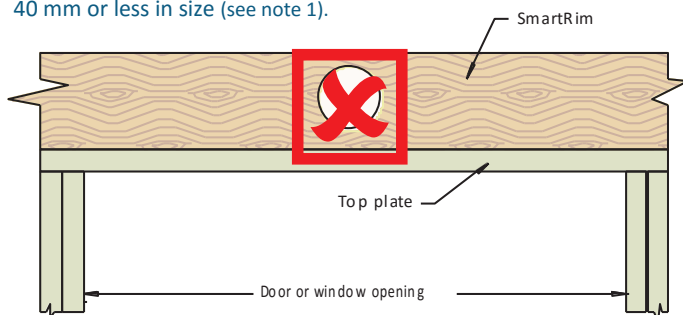
1. Do not cut holes in SmartRim installed over openings, such as doors or windows, where the SmartRim is not fully supported, except that holes of 40 mm or less in size are permitted provided they are positioned at the middle depth and in the middle $\frac{1}{3}$ of the span (see note 5 for minimum hole spacing).

2. Field-cut holes should be vertically centred in SmartRim and at least one hole diameter or 150 mm whichever is less, clear distance away from the end of the wall line. Holes should never be placed such that they interfere with the attachment of the rim board to the ends of the floor joist, or any other code-required nailing.

3. While round holes are preferred, rectangular holes may be used providing the corners are not over-cut. Slightly rounding corners or pre-drilled corners with a 25 mm diameter bit is recommended.

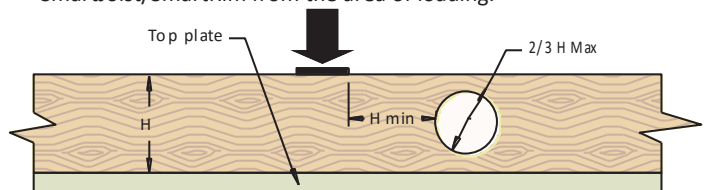
SmartRim over an opening

Do not cut holes in SmartRim over an opening except for holes of 40 mm or less in size (see note 1).



SmartJoist/SmartRim near concentrated vertical load

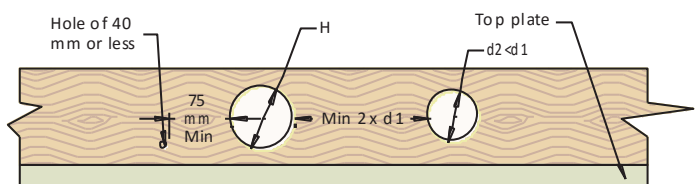
4. When concentrated loads are present on the SmartJoist/SmartRim (loads not supported by any other vertical-load-carrying members such as squash blocks), holes should not be placed in the SmartJoist/SmartRim within a distance equal to the depth of the SmartJoist/SmartRim from the area of loading.



5. For multiple holes, the clear spacing between holes shall be at least two times the diameter of the larger hole, or twice the length of the longest rectangular hole. This minimum hole spacing does not apply to holes of 40 mm or less in diameter, which can be placed anywhere in the rim board (see note 1 for holes over opening) except that the clear distance to the adjacent hole shall be 75 mm minimum.

Multiple holes for SmartJoist/SmartRim

6. All holes shall be cut in a workman-like manner in accordance with the limitations listed above.



Joist hangers

Joist hanger selection

The joist hangers below have been developed specifically for the flange widths for SmartJoists are manufactured using Z275 light-gauge steel, having zinc coating of 275 gsm (total weight). AS1684.2-2010 and AS1684.3-2010-Australian Standards for Residential Timber Frame Construction stipulates a minimum Z275 steel for all sheet metal products used in an internal environment.

Other joist hangers may be used with SmartJoists but it is the responsibility of the specifier of these alternative joists hangers to ensure that:

- i. they suit the SmartJoist flange widths and do not require any cutting or packing of the flanges
- ii. they are manufacturer from Z275 light-gauge steel
- iii. they have the adequate capacity for the anticipated end reaction

Fixing of joist hangers

1. **Hand driven nails** - The joist hangers in the table below are supplied by Tilling Timber as part of a SmartFrame order with the manufacturer recommended nails. All holes are to be filled with the specified nails in order to achieve the stated hanger capacity.
2. **Gun nails** - While the use of gun nails may be common, unless the gun nails are of a minimum

40 x 3.33 diameter, the hanger capacities listed cannot be assumed

3. **Screws**—The equivalent number of 35 x 6 gauge bugle-head or wafer-head wood screws may be used in lieu of the supplied nails. Increased capacities can be achieved by using screws. Advice on the capacities of the joist hangers listed below with screws replacing the nails can be obtained by contacting the Tech Support Customer Helpline on 1300 668 690.

Corrosion protection

The standard range of joist hangers made from Z275 light-gauge steel, having zinc coating of 275 gsm is adequate only for INTERNAL applications in most corrosion environments, except areas that are classified as heavy industrial or those subject to high humidity (e.g. enclosed swimming pools) etc. Under these circumstances, seek advice from experts as special protection will be required.

Note: INTERNAL areas are those within the building envelope that are kept permanently dry. In areas outside the building envelope that are exposed to repeated wetting (EXTERNAL areas), stainless steel products or equivalent should be considered. Some alternatives include hot dip galvanised or powder coated steel, which are not Tilling Timber stock items.

For more detailed information contact the Tech Support Customer Helpline on 1300 668 690 or at techsupport@tilling.com.au.

SmartJoist	face mount code	down hanger capacity Φ kN *	face nails	nail size	top mount code	down hanger capacity Φ kN *	face nails to support	top nails	nails to joist	nail size (mm)
Single joist face mounts					Single joist top mount					
SJ20044	20044F	6.2	8	3.75 x 40	20044T	4.8	2	4	2	3.75 x 40
SJ24040	24040F	7.8	10	3.75 x 40	24040T	4.8	2	4	2	3.75 x 40
SJ24051	24051F	7.8	10	3.75 x 40	24051T	4.8	2	4	2	3.75 x 40
SJ24070	24070F	7.8	10	3.75 x 40	24070T	4.8	2	4	2	3.75 x 40
SJ24090	24090F	7.8	10	3.75 x 40	24090T	4.8	2	4	2	3.75 x 40
SJ30040	30040F	9.3	12	3.75 x 40	30040T	4.8	2	4	2	3.75 x 40
SJ30051	30051F	9.3	12	3.75 x 40	30051T	4.8	2	4	2	3.75 x 40
SJ30070	30070F	9.3	12	3.75 x 40	30070T	4.8	2	4	2	3.75 x 40
SJ30090	30090F	9.3	12	3.75 x 40	30090T	4.8	2	4	2	3.75 x 40
SJ36058	36058F	10.9	14	3.75 x 40	36058T	4.8	2	4	2	3.75 x 40
SJ36090	36090F	10.9	14	3.75 x 40	36090T	4.8	2	4	2	3.75 x 40
SJ40090	40090F	10.9	14	3.75 x 40	40090T	4.8	2	4	2	3.75 x 40
Double joist face mounts					Double joist top mounts					
2/SJ20044	20044DF	6.2	8	3.75 x 40	N/A					
2/SJ24040	N/A				24040DT					
2/SJ24051	24051DF	7.8	10	3.75 x 40	24051DT	4.8	2	2	4	3.75 x 40
2/SJ24070	24070DF	7.8	10	3.75 x 40	24070DT	4.8	2	2	4	3.75 x 40
2/SJ24090	24090DF	7.8	10	3.75x40	24090DT	5.7	2	4	2	3.75 x 40
2/SJ30040	N/A				N/A					
2/SJ30051	30051DF	8.7	12	3.75 x 40	30051DT	4.8	2	2	4	3.75 x 40
2/SJ30070	30070DF	8.7	12	3.75 x 40	30070DT	4.8	2	2	4	3.75 x 40
2/SJ30090	30090DF	8.7	12	3.75 x 40	30090DT	5.7	2	4	2	3.75 x 40
2/SJ36058	N/A				36058DT	4.8	2	4	2	3.75 x 40
2/SJ36090	N/A				36090DT	5.7	2	4	2	3.75 x 40

Joist hangers

Specialised joist hangers

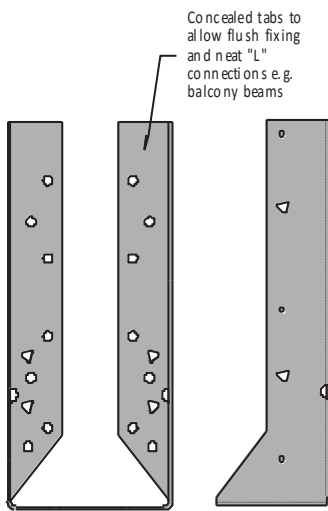
A range of more specialised joist hangers are available from Tilling Timber, some will be stock items and others will have a lead time before they could be supplied.

Specifiers of these more specialised brackets should contact Tilling Timber during the design phase of the project to ascertain:

1. What brackets are available that would best suit the proposed application
2. The lead time before selected joist hangers could be supplied
3. Whether SmartFrame engineers are required to design individual member connections

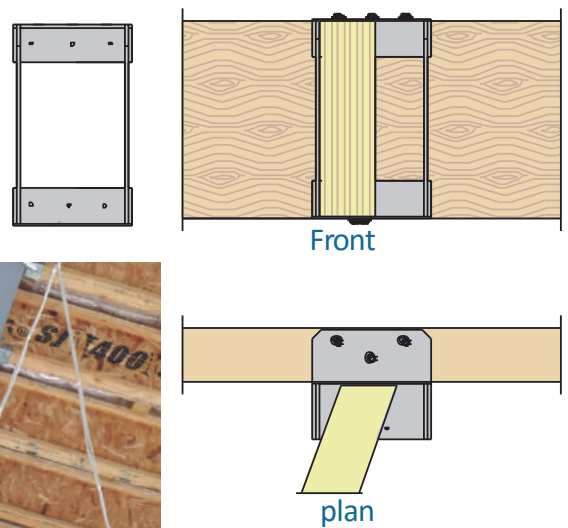
Example specialised brackets/connectors

Internal Flange Hangers - A range of internal flange hanger is available to suit 'L' shape connections and the edge joist in SmartJoist cassette floors



Heavy duty roof beam supports - Tilling Timber has access to a range of heavy duty support brackets for all applications including brackets especially designed to cater for supported beam at a wide range of angles.

An example is the Pryda® BBT125240 shown below



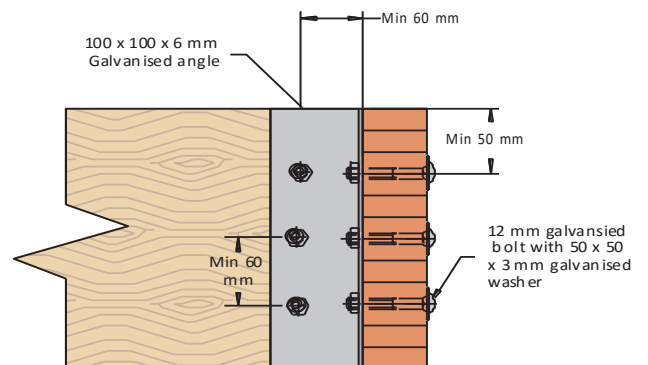
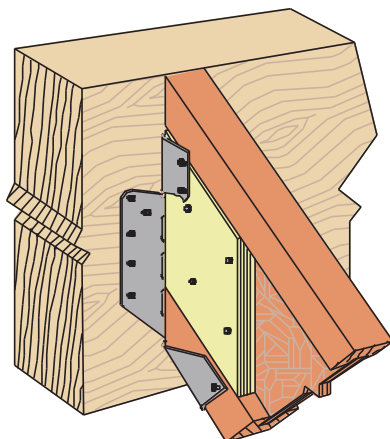
SmartJoist rafter brackets - Access is available to a range of rafter brackets especially designed to make use of the exceptional strength to weight ratio of SmartJoists and apply it to roof member applications. Rafter brackets available include:



1. Variable slope rafter connectors
2. Variable slope and skew rafter connectors
3. Variable ridge connectors

Individual designs - There are occasions where a generic off the shelf bracket is available for a particular application.

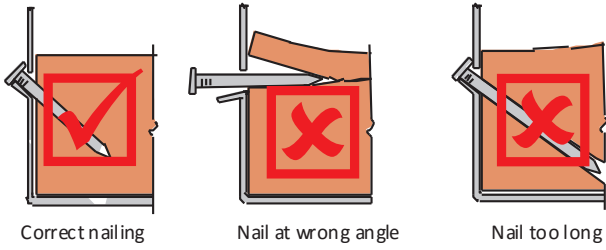
In certain circumstances, Smart-Frame engineers may be available to provide individual designs on a fee for service basis for users of SmartFrame product. (conditions apply)



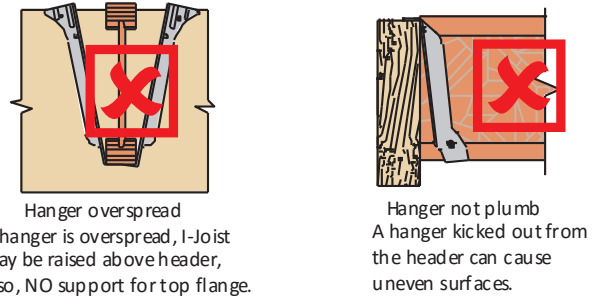
For more detailed information contact the Tech Support Customer Helpline on 1300 668 690 or at techsupport@tilling.com.au.

General connector installation details

Positive angle nailing

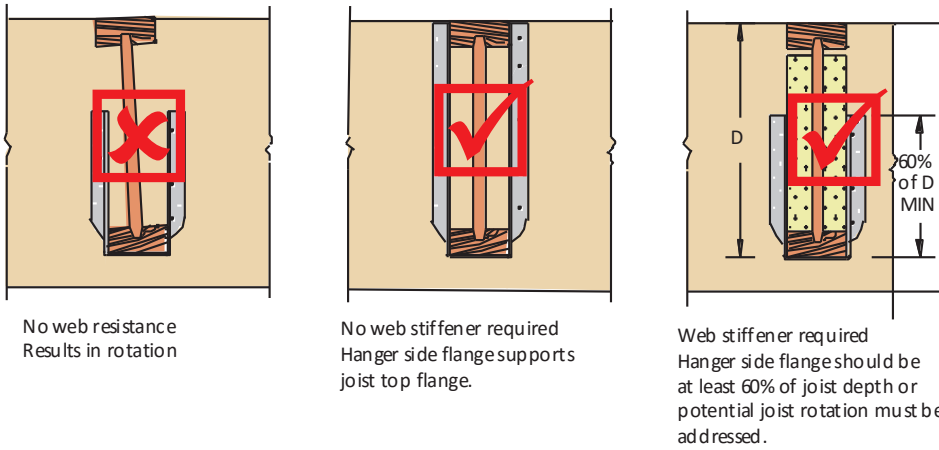


Top mount hangers



Prevent rotation

Hangers provide some joist rotation resistance; however, additional lateral restraint may be required for deep joists.



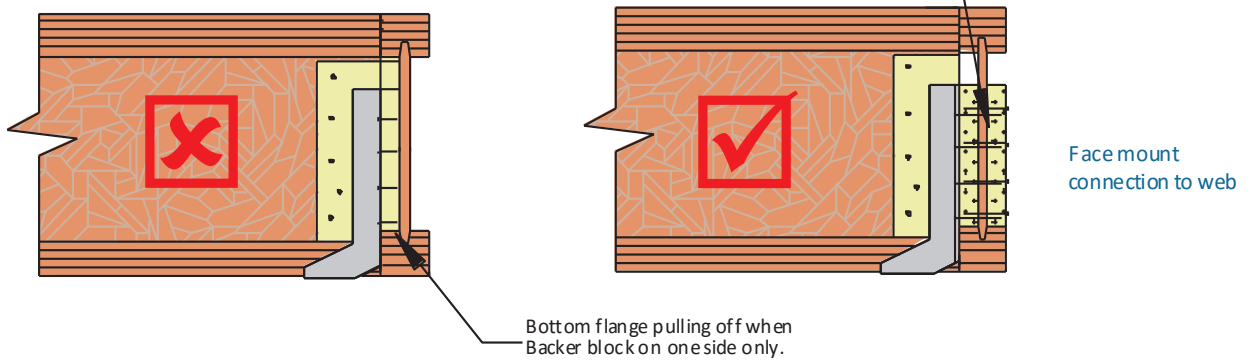
Correct fasteners



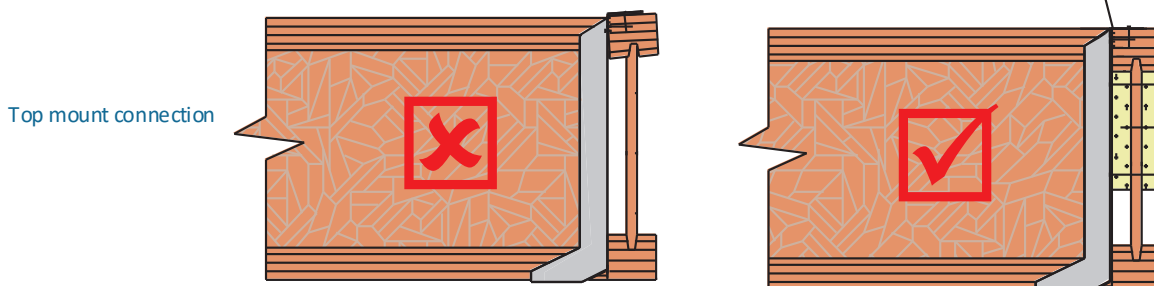
Bracket capacities are based upon using the correct bracket nail as per the table on page 11. Bracket nails have special heads to provide strength. Clouts, brads etc are NOT suitable as bracket nails

SmartJoist headers

Backer blocking each side, hanger nails must extend past the supporting joist's web member into the backer blocking.

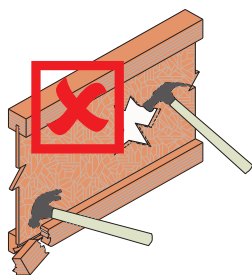


The top flange of the supporting joist must be supported by backer blocks to prevent cross grain bending and rotation.

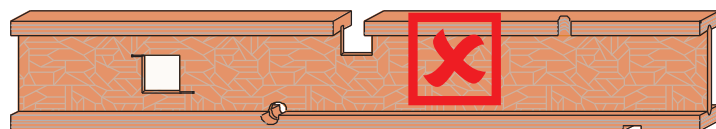


Field repair to damaged SmartJoists

Don't make holes with a hammer other than tapping out pre-punched knockouts



Don't hammer on flanges and damage joist



Do not cut or notch flanges
Do not overcut holes in web

SmartJoists are sophisticated Engineered Timber products, and must be treated accordingly. Damage to key components, while affecting only a small percentage of the cross section may be sufficient to render the SmartJoist unsuitable for the purpose.

It is therefore recommended that damage to joists and the possibility of repair be referred to the Tech Support Customer Helpline on 1300 668 690 or at techsupport@tilling.com.au for advice.

Flange damage

- Flange damage becomes more critical the nearer it is to mid-span or an interior support. Flange damage is less critical in close proximity to an end support.
- How much flange damage is acceptable? A rule of thumb is "If you have to ask, it's too much". A saw kerf that knicks the corner of a flange on one lightly-loaded joist could well be acceptable.
- A joist with unacceptable flange damage cannot be repaired, rather a new joist must be added to take its place. The damaged joist does not have to be removed. Consult SmartJoist and SmartLVL tables to find an acceptable new joist that is shallower than the damaged joist so installation is easier. Consider double and triple joists. If the damaged joist is multi-span, the new joist only needs to go across the span(s) where the damage occurs.
- A single damaged joist can sometimes be trimmed off of adjacent undamaged joists (run a calculation within the SmartFrame software).

Web damage

- Web damage becomes more critical the nearer a support. Web damage is less critical near mid-span.
- Web holes can be too big to repair. A flange-to-flange rectangular hole longer than 450 mm located at mid-span probably warrants a new joist. A 150 mm round hole located right by a support probably warrants a new joist. Consult SmartJoist and

SmartLVL tables to find an acceptable new joist that is shallower than the damaged joist so installation is easier. Consider double and triple joists. If the damaged joist is multi-span, the new joist only needs to go across the span(s) where the damage occurs.

- A single damaged joist can sometimes be trimmed off of adjacent undamaged joists (run a calculation within the SmartFrame software)
- Damage that could be confidently repaired in a single, isolated joist, might be judged too severe to repair if several, adjacent joists are involved
- If several small holes violate the 2x diameter proximity rule, but would fit inside a single acceptable hole, then the group of small holes is OK
- Hole repairs generally require a reinforcement that covers the full depth of the web and extends at least 300 mm past each side of the hole.

Damage report information required

1. In order to design a repair, the SmartFrame engineer will have to know all of the design information that is required to run SmartFrame software.
2. Provide a sketch of the damage showing its size, shape and location on the joist.
3. Indicate whether a pipe, duct, conduit, etc. must remain and be accommodated.
4. Indicate how many adjacent joists are affected in each case.

Field repairs to damaged SmartJoist webs

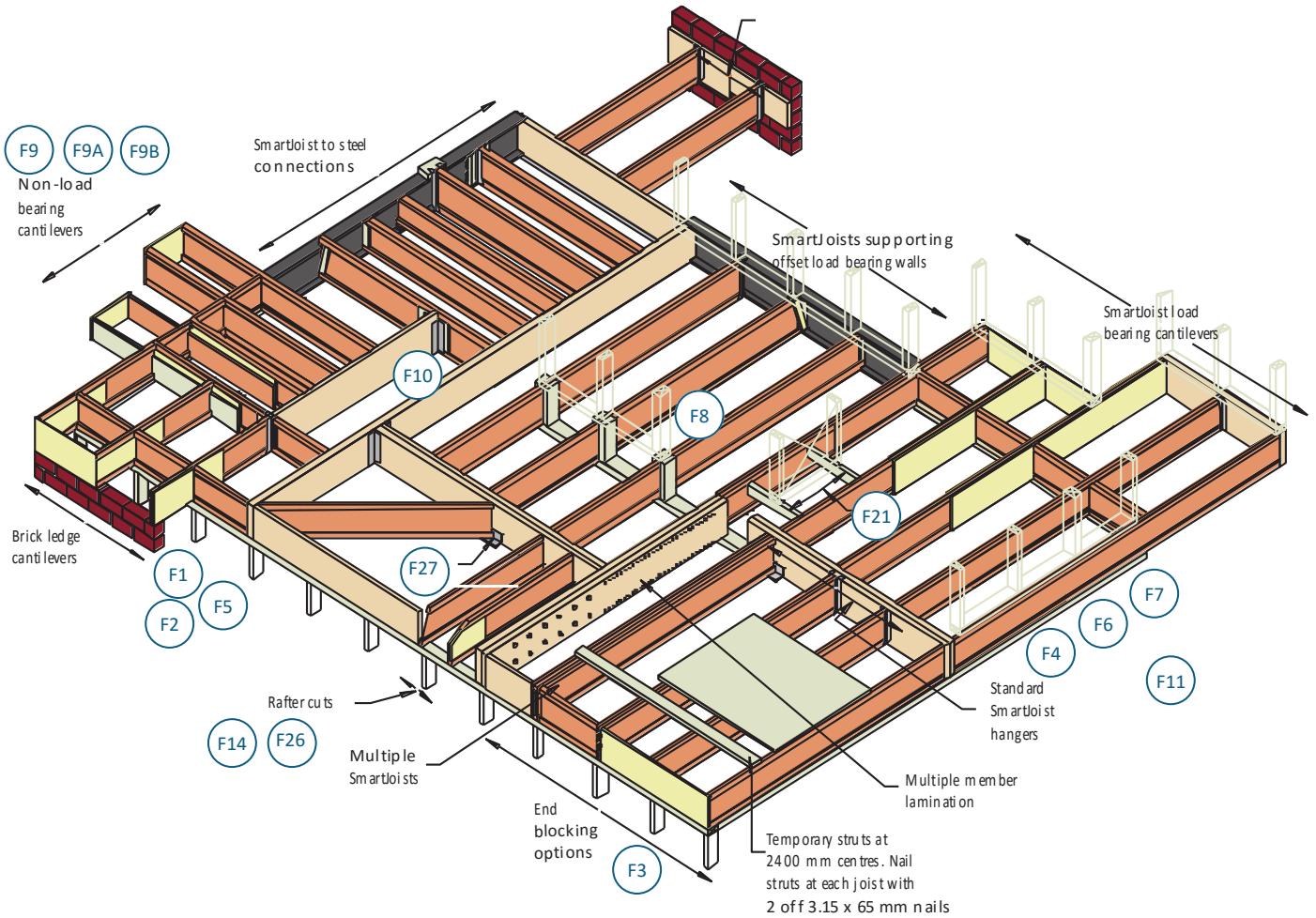
The SmartFrame system now includes the WebFix[®] (web reinforcement) developed to be a rapid "repair" to webs where penetrations have been placed at inappropriate locations, penetrations too large or other web damage which diminishes the strength of the member. This repair system is unique to SmartJoist applications.

Tilling Timber is the SOLE Australian distributor of this PATENTED system, which in most cases can be fixed around services that have been installed through the web penetrations.

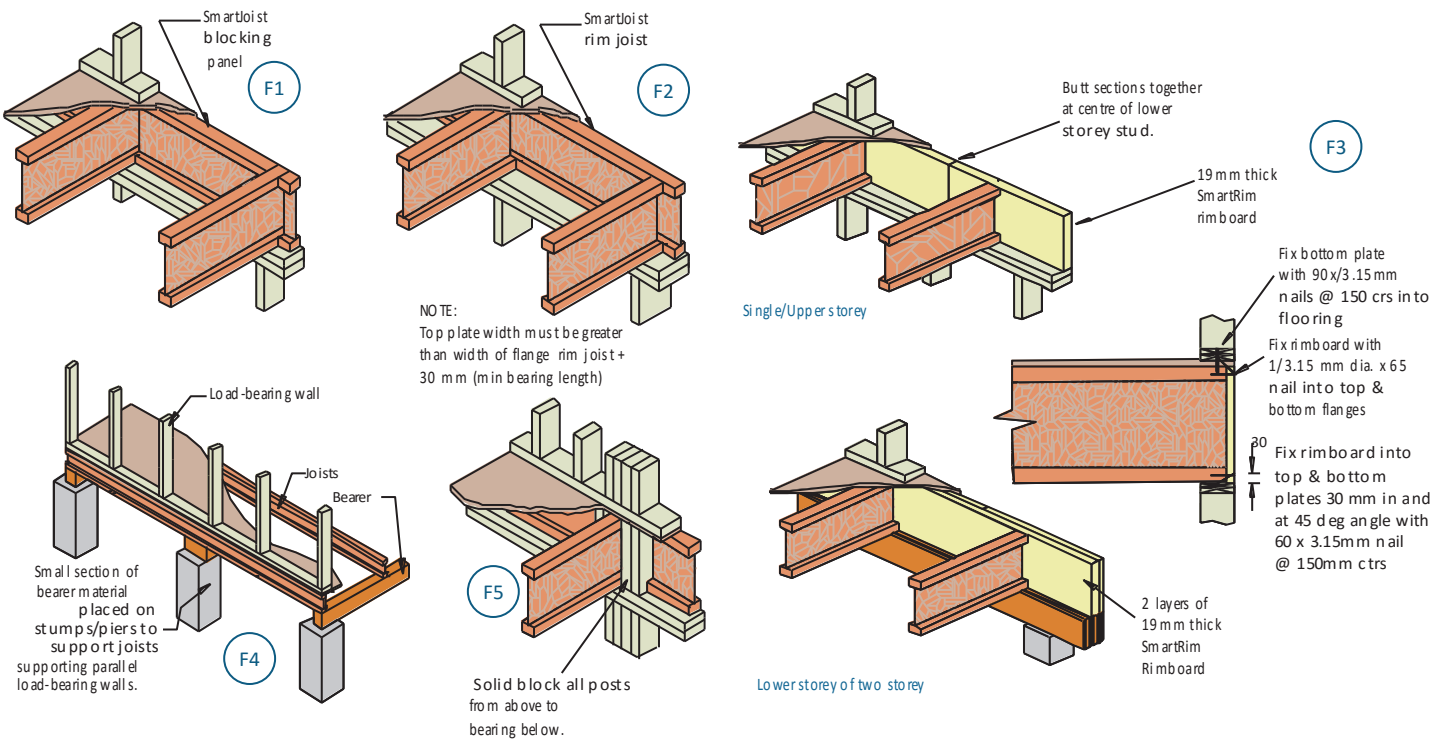
The WebFix[®] does need to be designed into each situation by SmartFrame engineers and can ONLY be purchased from Tilling offices after the structural design is completed.



Typical SmartJoist floor framing



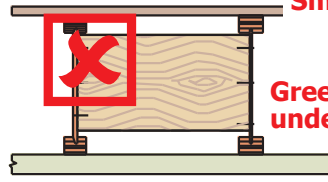
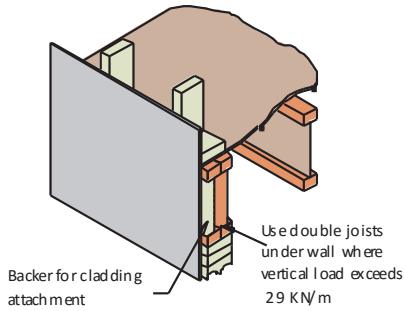
Typical SmartJoist floor construction details



Note:
To achieve the necessary racking resistance through the floor diaphragm, it is important that the nailing provisions of the floor sheeting to the joists as described in AS 1684 (AS 1869 for particle board) be adopted to nail the floor sheeting to the Rim Joist or SmartRim in details F1-F3

Typical SmartJoist floor construction details (cont'd)

F6



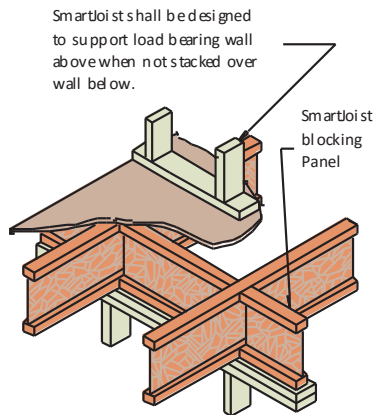
WARNING - Correct blocking for SmartJoists

Green timber shall not be used under any circumstance

All blocking shall be carried out as per details F1-F3, with blocking to extend to both flanges and skew nailed with 3.15 Φ x 65 nails, one each side of top and bottom flange.

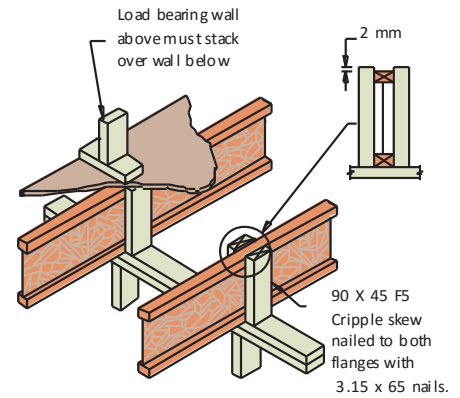
Interior loading bearing and bracing walls

F7



NOTE: Detail F7 with blocking panel is required for bracing walls.

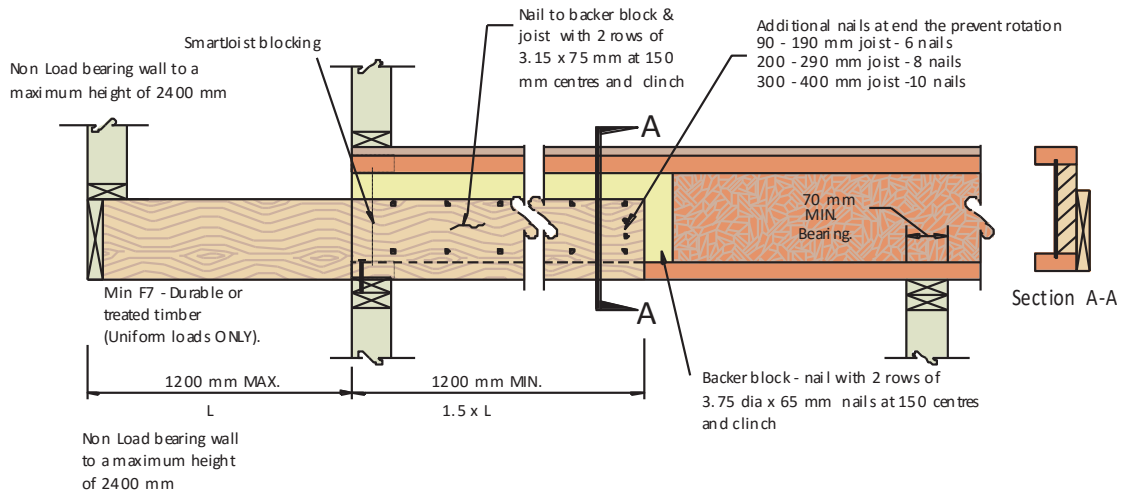
F8



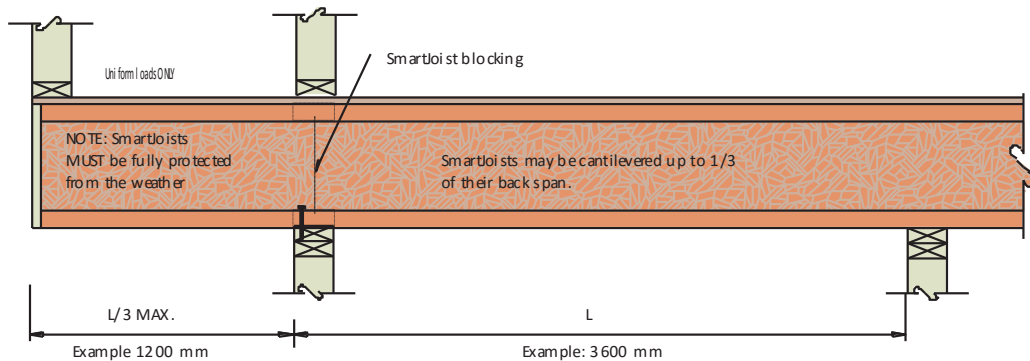
Non load bearing cantilevers (balconies)

Example cantilever spans and minimum back spans for this detail are shown in the table on the next page

F9



F9a



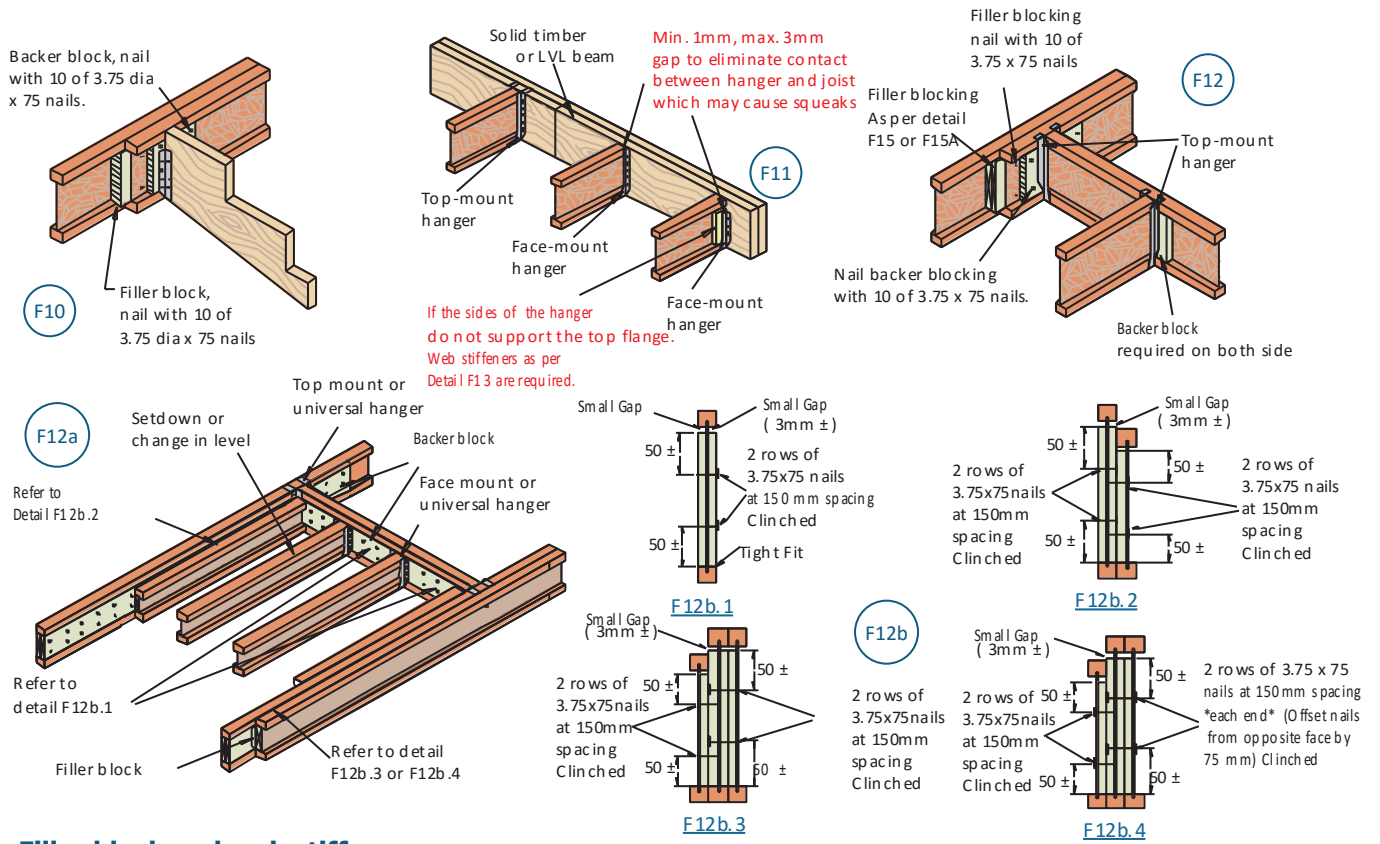
For cantilevered joists supporting load bearing walls see details C1-C4

Cantilevered balconies as per detail F9 and F9A

Loadings: Permanent Loading G: self weight + 40 kg/m² + 0.6 kPa of live load permanently applied, live load Q: 2.0 kPa or 1.8 kN point live load, 1.5 kN/m acting at end of cantilever

Cantilever material	Joist spacing (mm)	300		400		450		600	
		Cantilever	Back span	Cantilever	Back span	Cantilever	Back span	Cantilever	Back span
H3 SmartLVL 15	150 x 42	1.0	1.5	1.0	1.5	1.0	1.5	0.9	1.4
	170 x 42	1.2	1.8	1.1	1.7	1.1	1.7	1.1	1.7
	200 x 42	1.4	2.1	1.3	2.0	1.3	2.0	1.3	2.0
	240 x 42	1.7	2.6	1.6	2.4	1.6	2.4	1.5	2.3
	300 x 42	2.1	3.2	2.0	3.0	2.0	3.0	1.9	2.9
H3 MGP 10	140 x 45	0.7	1.1	0.7	1.1	0.7	1.1	0.7	1.1
	190 x 45	1.1	1.7	1.1	1.7	1.1	1.7	1.1	1.7
	240 x 45	1.5	2.3	1.4	2.1	1.4	2.1	1.4	2.1

Backer and filler blocks

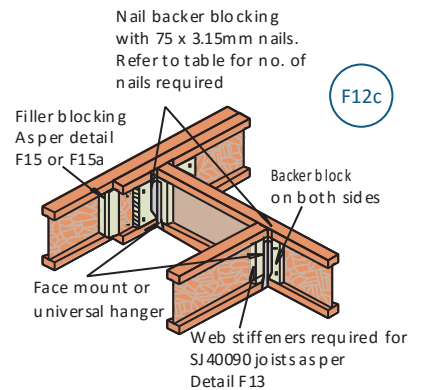


Filler block and web stiffeners

SmartJoist code	Recommended filler block	Web stiffener material	
		stiffener	nails
SJ20044	120x35	15x60 mm ply	4-3.15x65
SJ24040	140x35	15x60 mm ply	4-3.15x65
SJ24051	140x45	19x60 mm ply	4-3.15x65
SJ24070	150x58 LVL	2/15x60 mm ply	4-3.15x65
SJ24090	2/140x45	2/19x60 mm ply	5-3.15x65
SJ30040	190x35	15x60 mm ply	4-3.15x65
SL30051	190x45	19x60 mm ply	4-3.15x65
SJ30070	150x58 LVL	2/15x60 mm ply	4-3.15x65
SJ30090	2/190x45	2/19x60 mm ply	5-3.15x65
SJ36058	250x50	2/12x60 mm ply	5-3.15x65
SJ36090	2/240x45	2/19x60 mm ply	5-3.15x65
SJ40090	2/240x45	2/ply	5-3.15x65

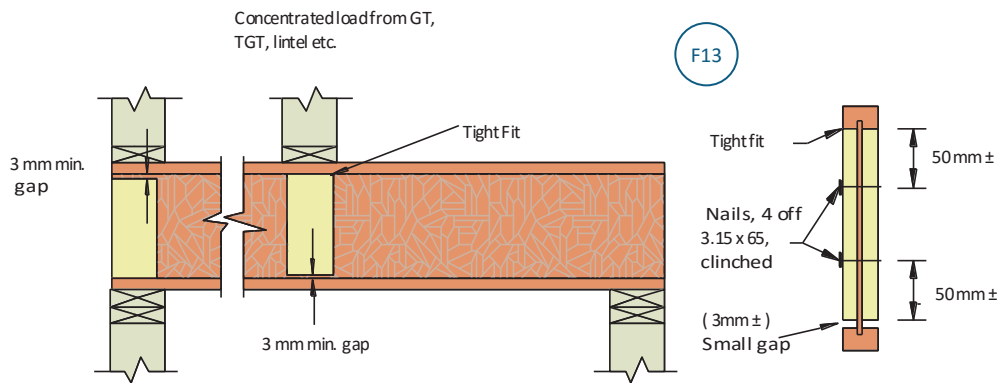
NOTES :

- Use plywood sheathing for web stiffener with face grain parallel to long axis of the stiffener.
- Filler blocks noted are for the general requirements of the details within this design guide.
- Leave 3 mm gap between top of filler blocks and bottom of top flange.



Concentrated loads on SmartJoists

Web stiffeners under concentrated loads are required as shown below for concentrated loads that exceed 6.5 kN ONLY.

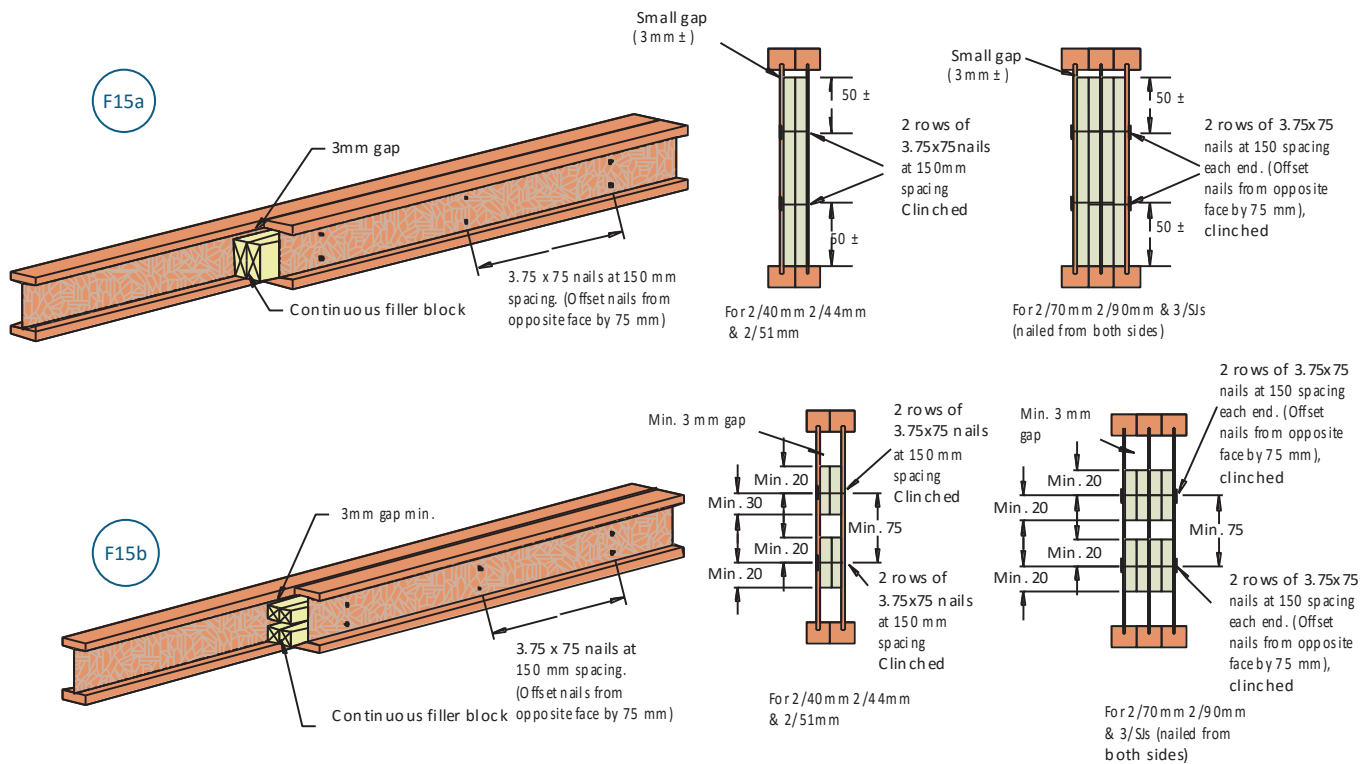


NOTE:

1. Web stiffeners are NOT required at end bearing supports when span length are taken from the SmartJoist Design Guide, except where they are required to prevent rotation if the joist hanger does not laterally restrain the top flange
2. Web stiffeners may be required at inner supports under concentrated loads. Consult the appropriate tables.

Multiple SmartJoist members

(a) filler blocks

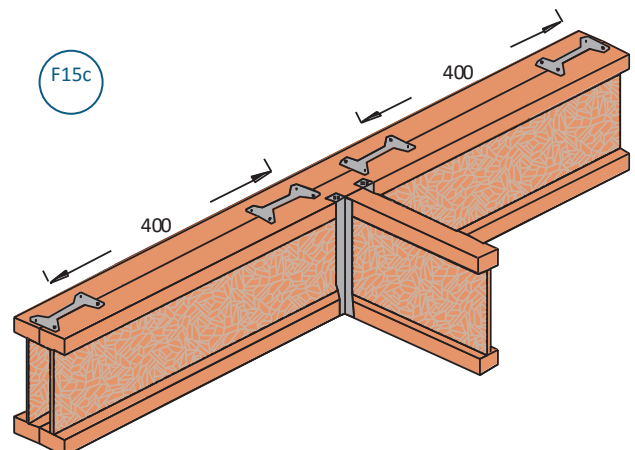


(b) SmartJoist Multi Joist clips (MJC)

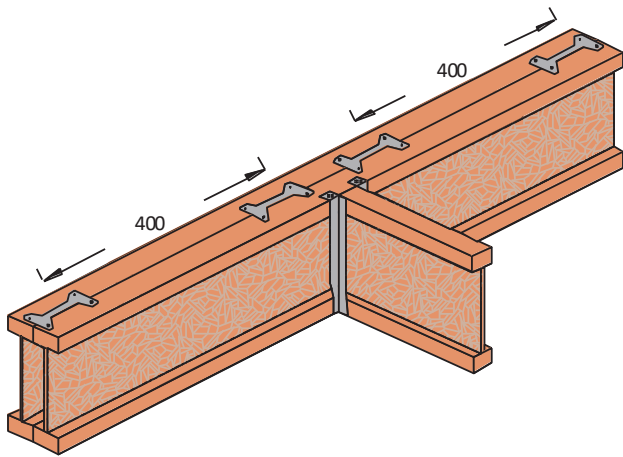
The SmartFrame MJC is Australia's first backer and filler free solution to join multiple SmartJoist members

2 ply SmartJoist supporting concentrated loads

SmartJoist Applications - Characteristic Concentrated loads (kN)	
No of MJC's	Max incoming Concentrated Load
4	16.4
8	24.6



(b) SmartJoist MJC (cont'd)



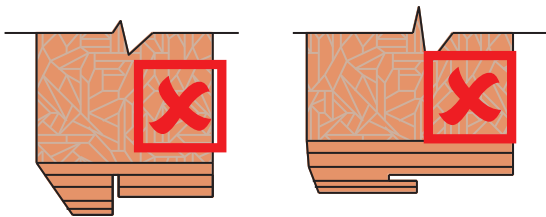
2 ply SmartJoist supporting regular loads

SmartJoist Applications - Characteristic Regular loads (kN)	
No of MJC's	Max incoming regular Load
2	8.2
4	12.3

Limited end notching at supports

The cutting of notches in the ends of joists may reduce the allowable end reactions of the SmartJoists. The amended end reaction capacities of SmartJoists with a 12 mm notch are as follows:

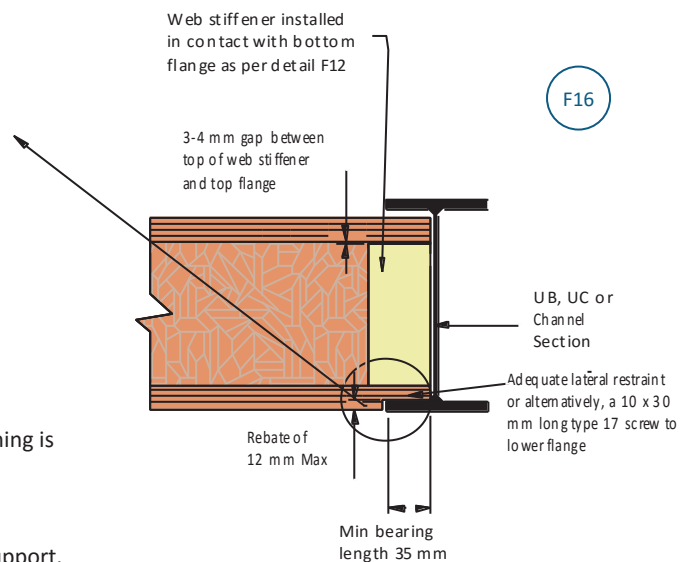
- Without web stiffeners - 80% of allowable end reaction
- With added web stiffeners (as per detail F13) - Full end reaction capacity.



Do not over cut flanges. Substantial reductions in capacity may occur if flanges are over cut.

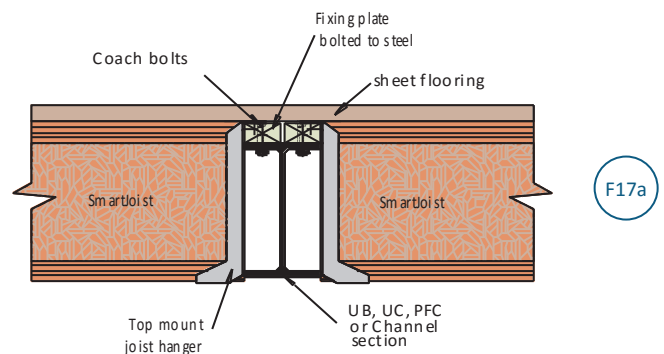
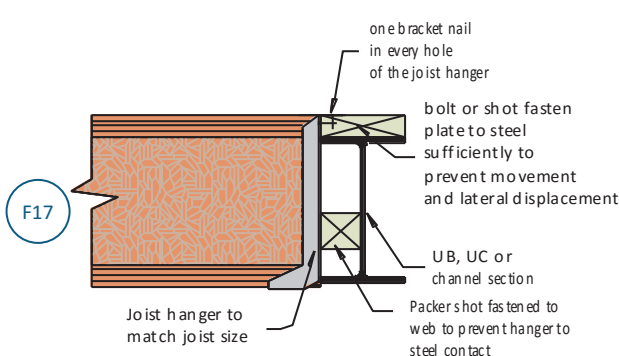
To maintain the end reaction capacities above, end flange notching is strictly limited to:

1. Notch depths NOT greater than 12 mm
2. Notches cleanly cut - NO over cutting
3. Notch length not to exceed more than 5 mm past the support.

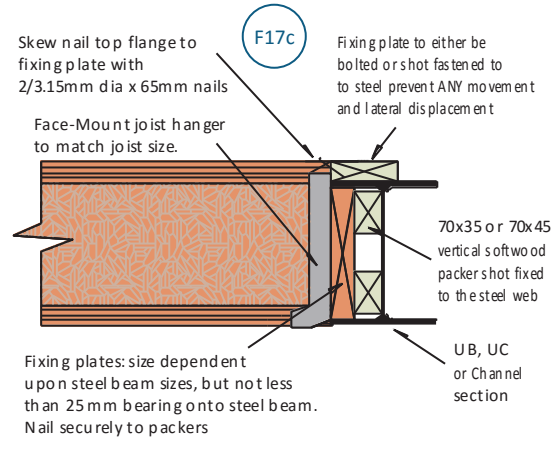
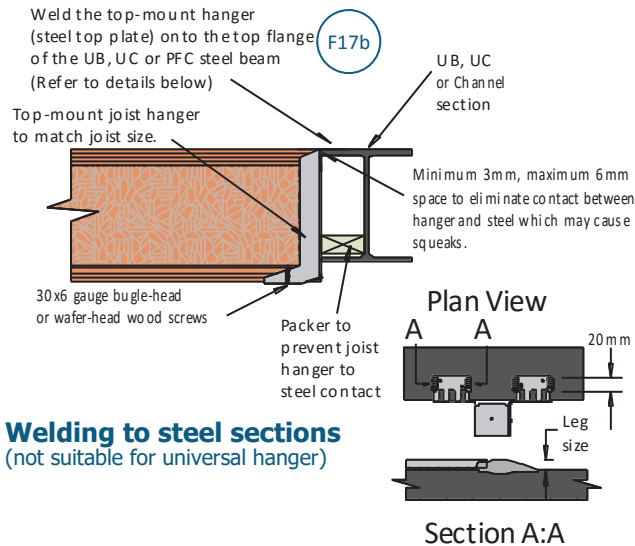


Example fixing of SmartJoists to steel beams

(a) Top mount or universal hangers



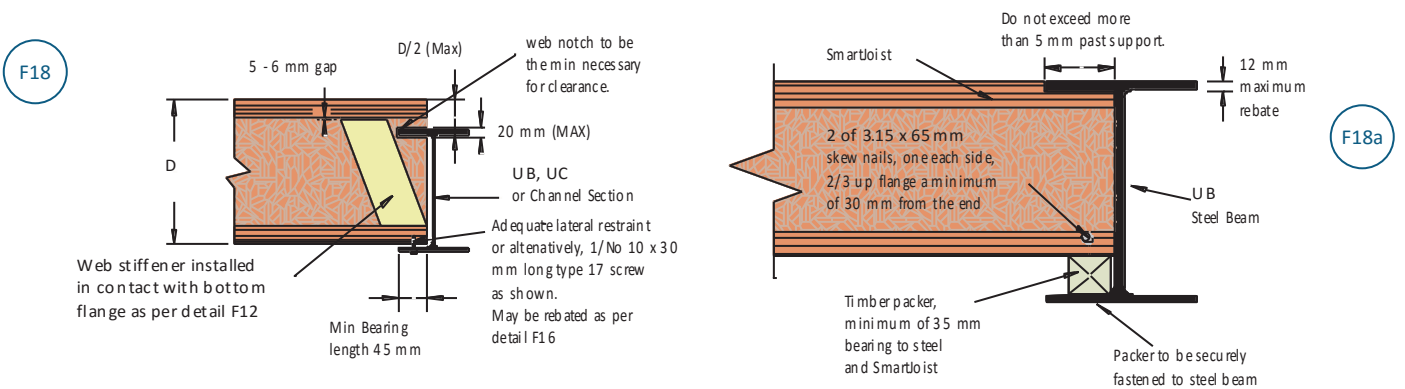
Example fixing of SmartJoists to steel beams



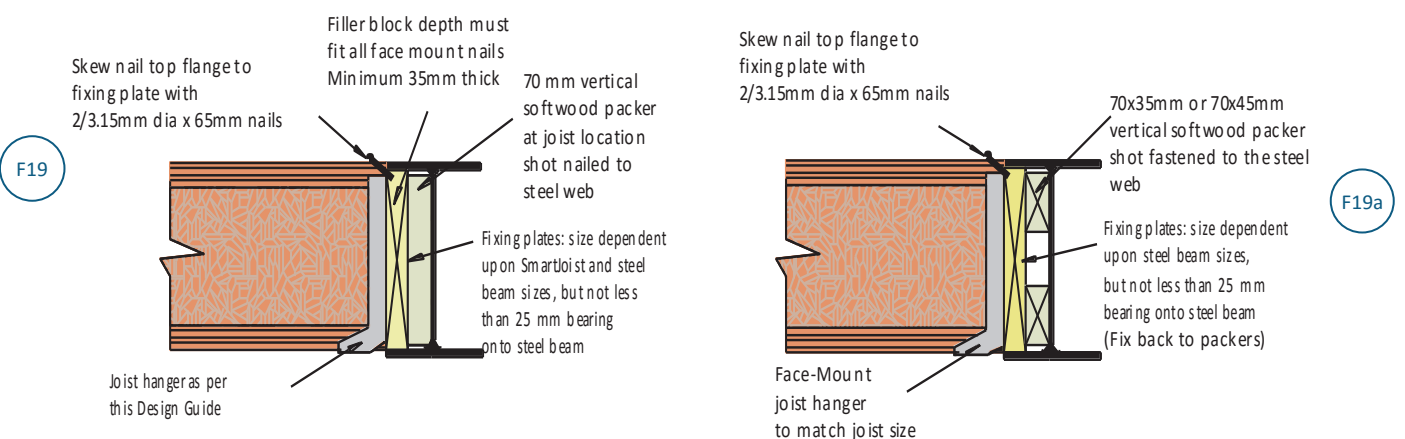
The welding of top mount SmartJoist hangers to common steel sections (UB, UC etc. must be carried out strictly as follows:

1. Supporting steel section must be thoroughly cleaned to remove black scale, rust, paint etc.
2. Clamp top flange of bracket hard up against steel section
3. Apply fillet weld to lap joint with the minimum weld length of 20 mm with a leg size at least the thickness of the metal hanger (see diagram above)
4. Commence weld pool away from the hanger steel to ensure penetration into supporting steel prior to penetration into hanger tab
5. Finish connections with anti-corrosive paint to achieve appropriate corrosion resistance
6. It is essential that welding is conducted under the guidance of an experienced welder

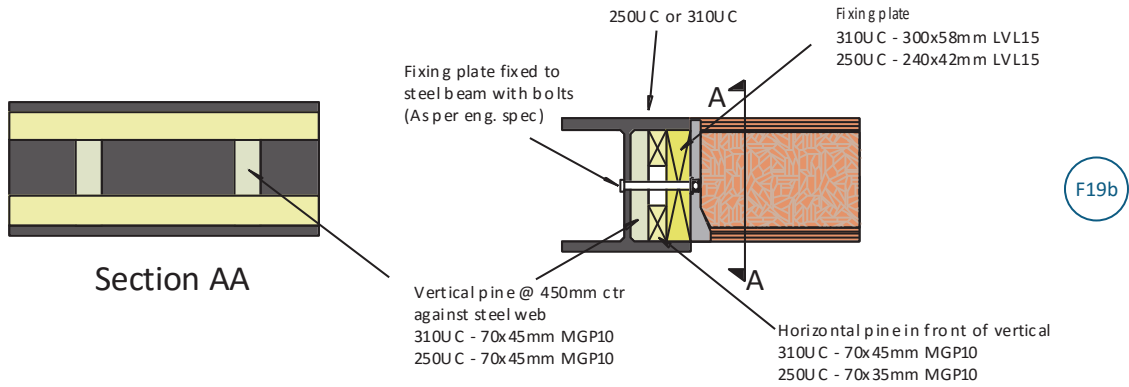
(b) Rebated into steel beam



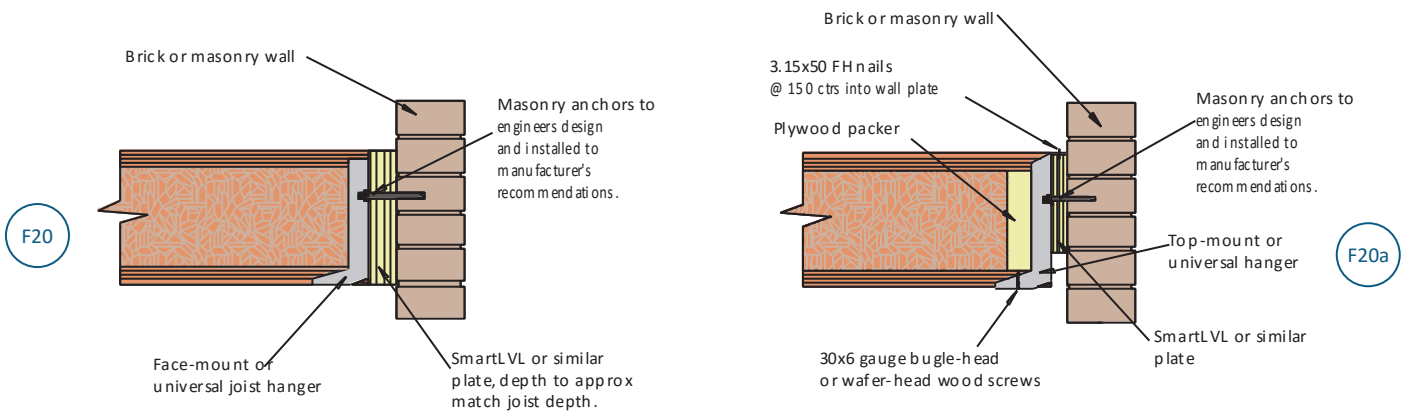
(c) Face mounting to steel



Example fixing of SmartJoists to steel beams (cont'd)



(c) Fixing to masonry walls



Tie down and bracing wall support details

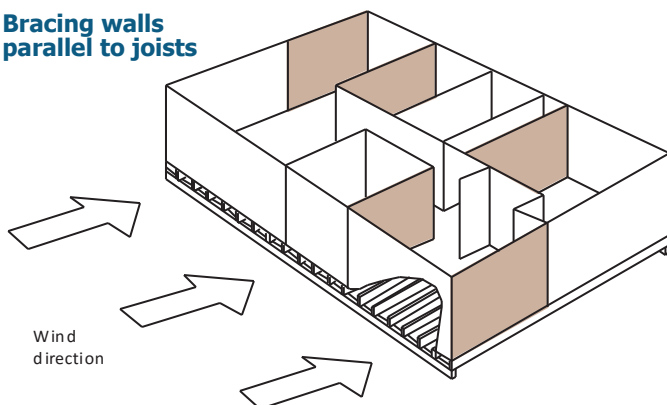
The tie-down needs of the structure are related to the applied wind loads and the effect of bracing walls either parallel or perpendicular to the supporting member. Reference should be made to AS 1684 for further guidance on this issue.

Floor systems are integral in the transfer of all vertical and horizontal loads to the footing system. Methods to transfer both uplifts and bracing loads to the floor system will vary dependent upon:

1. Loads are applied into a structural element that is running parallel to the bracing/tie-down panel
2. Loads are applied into a structural element that is running perpendicular to the bracing/tie-down panel

AS 1684 requires bracing to be approximately evenly distributed and provided in both directions as shown below. Care must be taken with tie down to resist bracing loads because the applied

Bracing walls parallel to joists



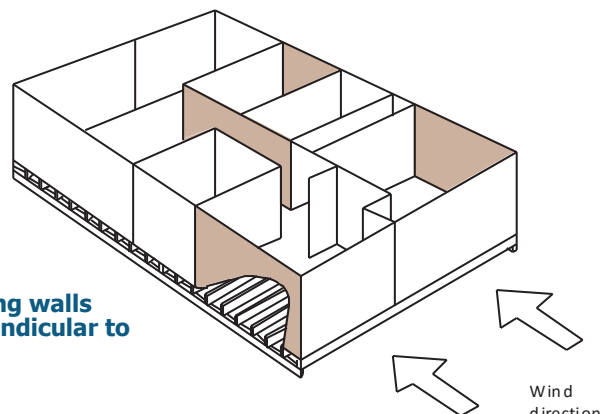
load could be either up or down, whereas the wind uplift forces are always vertically up.

Where the bracing walls are parallel to a floor joist, the joist involved must be designed to resist the applied forces imposed, over and above any gravity and normal live loads associated with the floor system

The general details relating to the tie-down provisions of solid end section timber may be adopted for SmartJoists, except that under NO circumstances is it permitted to bolt through either the top or bottom flange, except when the joist is fully supported upon a wall plate or similar as shown below. Care must also be taken to ensure that any bolts etc. drilled through solid timber joists do not compromise the structural integrity of that member.

A conservative solution to bracing walls directly above parallel joists is to adopt a double joist at that location, with the tie down connection bolt running down between the two joists.

Bracing walls Perpendicular to joists



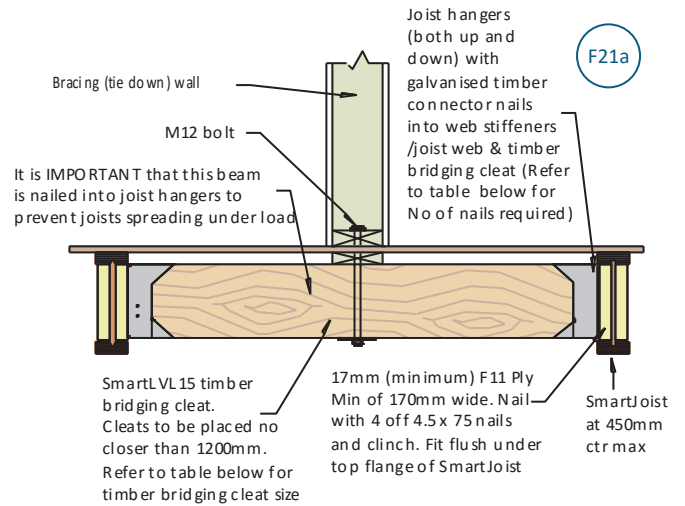
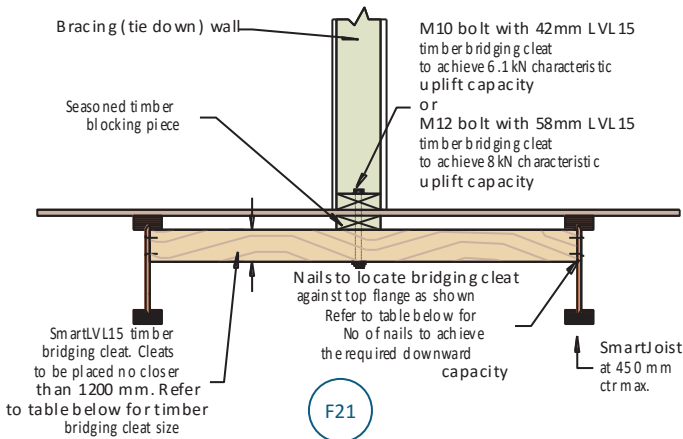
Tie down and bracing wall support details (cont'd)

The tie-down and bracing of any structure is of critical importance to its robustness. While some general guidance on this topic is given in AS 1684 sections 8 and 9 including some specific examples, very little information is provided to designers where the bracing or tie down forces act within a floor diaphragm, or how to transfer the design loads specified in table 8.18 to supporting members.

Below are some examples that may be helpful to designers utilising SmartJoist floor joists but these examples must in no way be a substitute for expert engineering advice from an experienced structural engineer.

Any member, especially tall slender sections typical of floor joists experience significant reduction in strength at the location of a vertical hole. Typically a vertical hole is deemed to have an effect of 1.5 times the diameter of the hole

Bracing walls between parallel joists



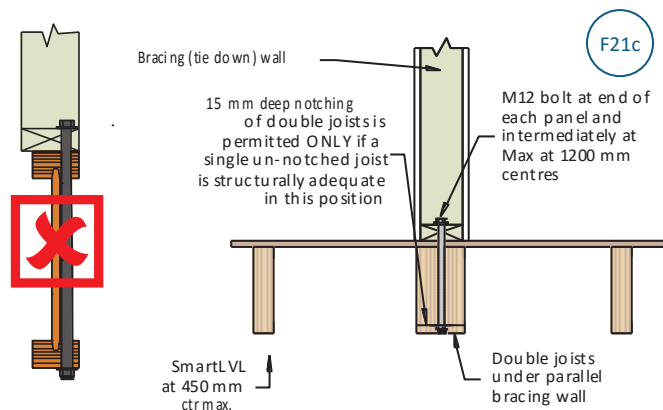
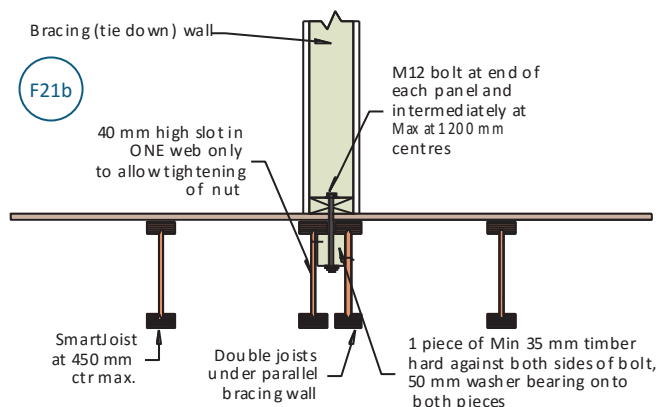
Downward force capacities		
Timber bridging size (DxB mm)	No of nails through SmartJoist web to bridging	Characteristic capacity (kN) $1.2G + W_{dn}$
90x42/58 SmartLVL 15	2	4.0
130x42/58 SmartLVL 15	3	4.9
170x42/58 SmartLVL 15	4	5.8

Timber bridging size (DxB mm)	Hanger code	No of hanger nails into joist	No of hanger nails into bridging	Characteristic uplift and downward capacity (kN)
90x58 SmartLVL 15	FB5890	8	4	9.6
130x58 SmartLVL 15	FB58120	12	6	13.6
170x58 SmartLVL15	FB58170	20	10	20.0

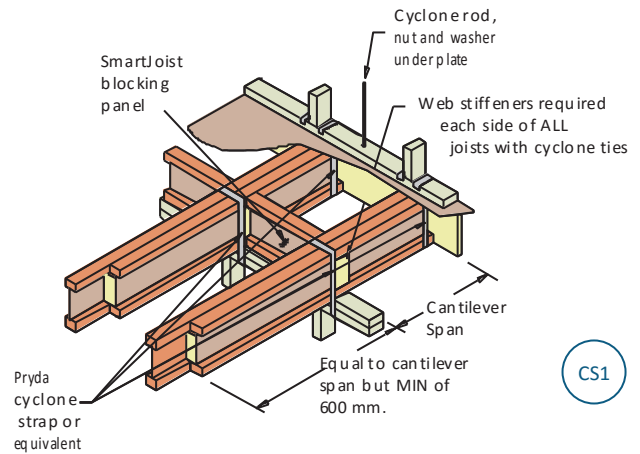
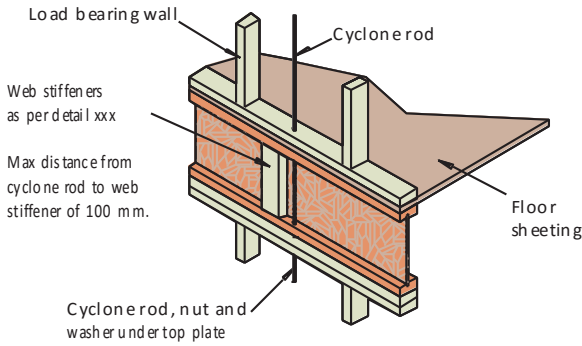
Bracing walls vertically above parallel joists

Do not drill through either flange of SmartJoists unless they are fully supported on wall plate or similar

Do not drill through single members unless the whole member is re-analysed with a reduced cross section at the hole location

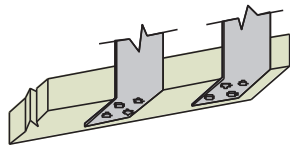


Cyclone rod tie down for cantilevered SmartJoist floors



Cyclone strap capacities

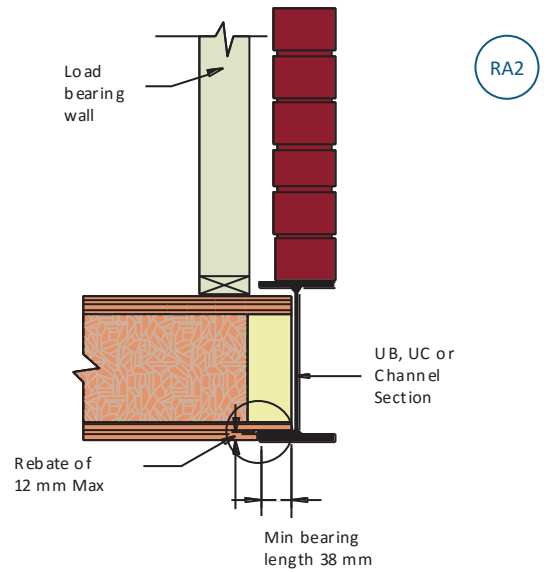
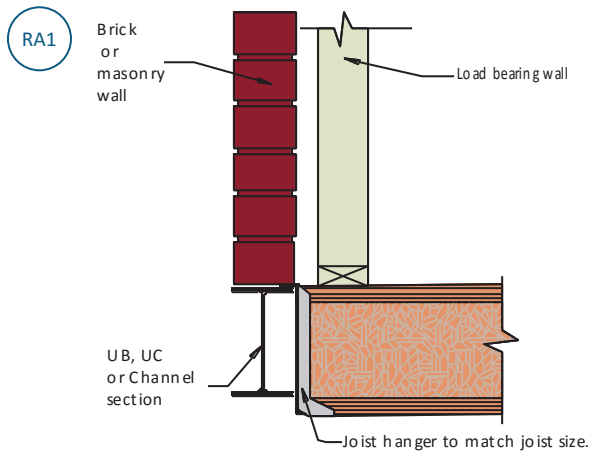
Where the strap ends of the cyclone strap are wrapped around the wall plate or other timber member and are fixed with 4 of 3.15 Ø x 35 nails, the design capacity ϕ_N of 15.3 kN is applicable, regardless of the timber joint group. Tests have proven that bending the legs of cyclone straps around the timber increases the ultimate load capacity.



While double joists shown in the above diagram, it is only necessary when loads exceed the capacities of single joist cantilevers.

Joist/beam connections supporting offset load bearing walls

Modern building designs frequently call for the upper storey of a two storey dwelling to be set back from the lower wall to allow sufficient light access to all areas of the building. Provided that the SmartJoists have been designed to support this offset load, no special provisions need to be made for their support EXCEPT in the following support conditions:



Maximum Roof Area Supported (m²)

- based upon worst case of 40 mm flange width (conservative for wider flanged joists)

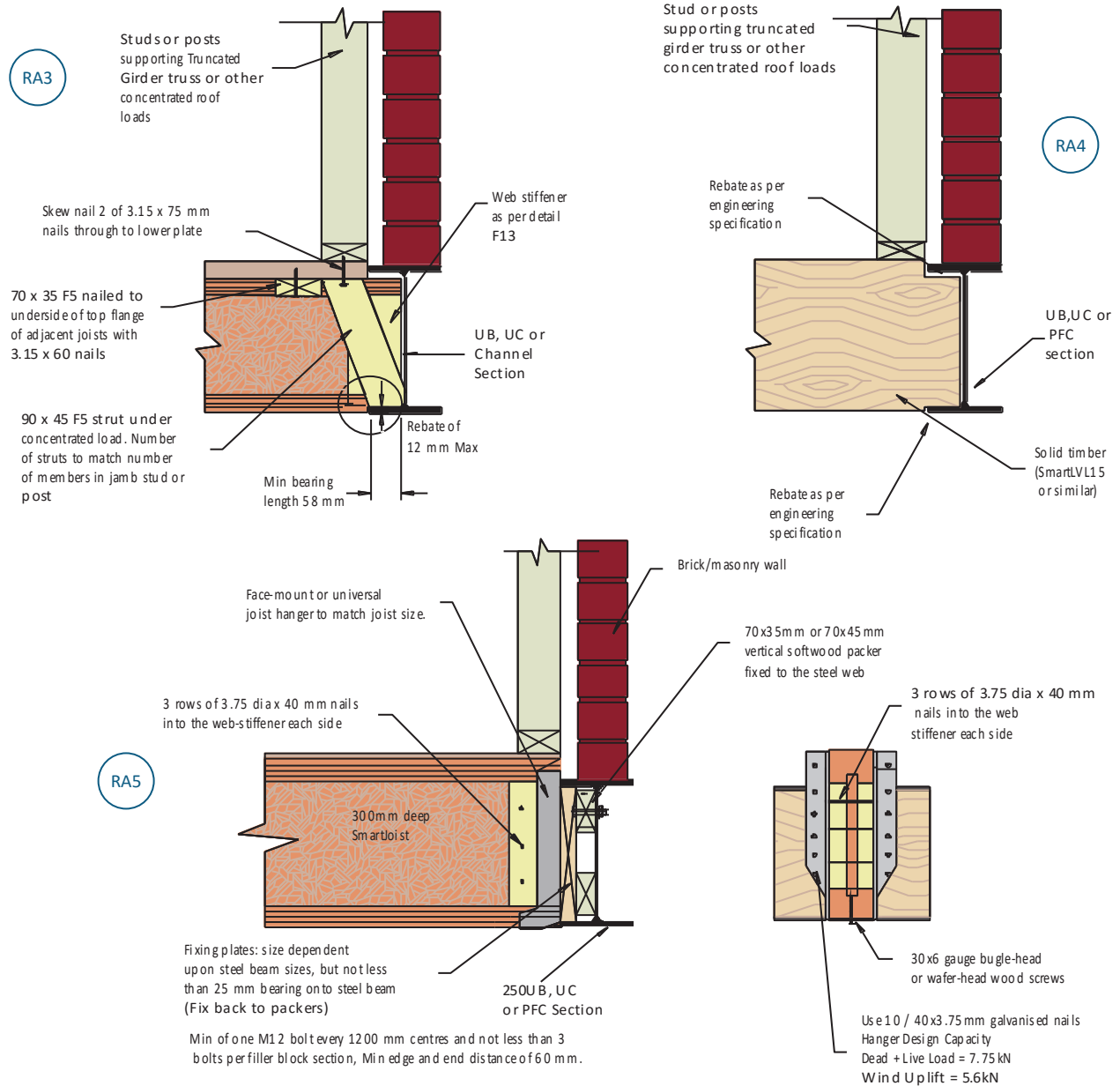
Joist spacing (mm)	Joist supported on joist hanger RA1								Lower flange bearing RA2							
	300	400	450	600	300	400	450	600	300	400	450	600	300	400	450	600
Joist span (mm)	Sheet				Tile				Sheet				Tile			
3500	21.7	15.0	12.8	8.2	9.6	6.7	5.7	3.6	6.9	6.4	6.2	5.3	3.1	2.9	2.8	2.4
4000	21.1	14.5	12.3	6.9	9.4	6.4	5.5	3.1	6.7	6.2	6.0	4.6	3.0	2.8	2.7	2.0
4500	20.5	13.9	11.7	5.7	9.1	6.2	5.2	2.5	6.6	6.0	5.7	3.9	2.9	2.7	2.5	1.7
5000	20.0	13.4	10.4	4.4	8.9	5.9	4.6	2.0	6.4	5.8	5.1	3.1	2.9	2.6	2.3	1.4
5500	19.4	12.1	9.1	3.2	8.6	5.4	4.1	1.4	6.3	5.3	4.6	2.4	2.8	2.4	2.0	1.1

Support for Concentrated loads - Joist/beam connection supporting off-set load bearing walls

Concentrated loads from any source such as girder trusses MUST be transferred through the floor space WITHOUT adding extra vertical loads to the ends of the SmartJoist at its bearing support.

Examples of transferring these loads are shown below RA3 in-

volves the use of inclined timber struts as shown in the detail opposite. Struts must be a tight fit and at a minimum angle of 60° to the horizontal. RA4 uses a solid member in lieu of SmartJoist under large concentrated loads. RA5 involves a face fixing to blocked out steel beam.



Beams supporting SmartJoists – Multiple member laminations

Vertical laminations may be achieved by adopting the procedures described in clause 2.3 of AS1684, however these procedures should be considered as the minimum requirements to achieve the desired effect.

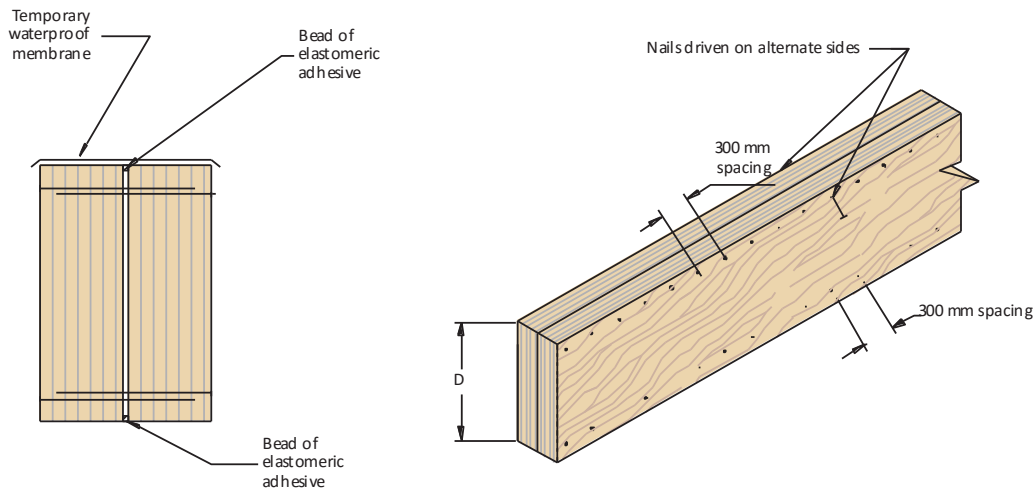
Experience with SmartLVL beams indicates that this degree of fixing may not satisfactorily prevent cupping of individual components as a result of the ingress of moisture between laminates during construction. The suggested method of vertical lamination below provides a greater level of fixity between individual components, and with the use of an elastomeric adhesive, also prevents moisture penetration between the laminates.

Multiple member laminating of top loaded beams (Symmetrical loading)

The edges of the individual sections must be carefully aligned to each other so that the composite beam is flat, allowing the applied loads to be equally shared.

- Depths up to and including 300 mm: 2 rows of nails as shown above at 300 mm centre
- Depths in excess of 300 mm: 3 rows of nails as shown above at 300 mm centres.

Beams supporting SmartJoists – Multiple member laminations (Cont'd)

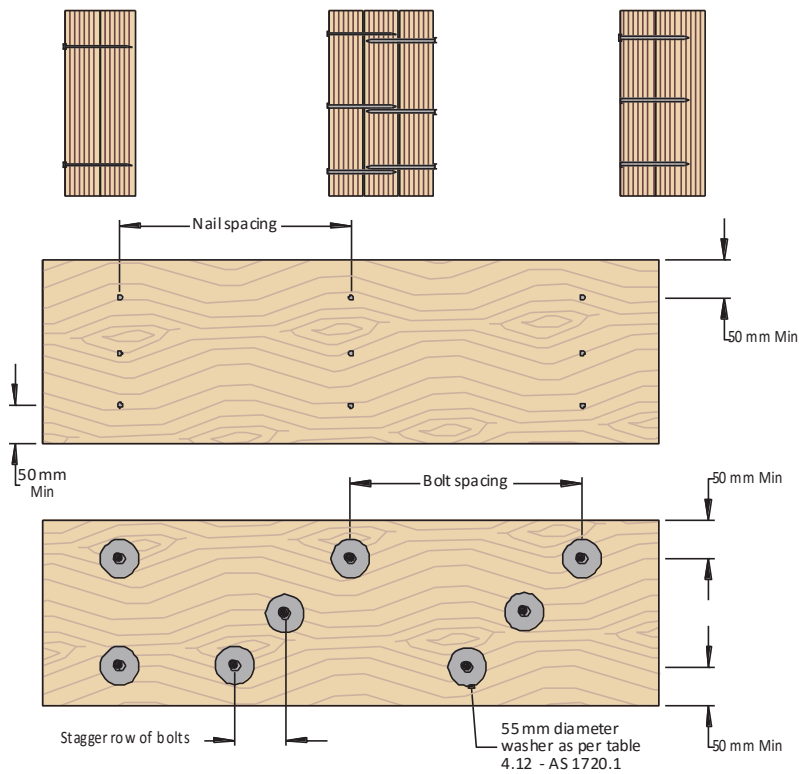


Multiple member lamination of side loaded beams (Non-symmetrical loading)

Combination 1
2 pieces of
35 or 42 mm

Combination 2
3 pieces of
35 or 42 mm

Combination 3
1 piece of 35 or 42 mm
1 piece of 58 or 75 mm



Maximum floor load width supported by either outside member (mm)

Combination (see details above)	3.75Φ x 90 mm nails		12 mm Φ bolts	
	2 rows at 300 ctrs	3 rows at 300 ctrs	2 rows at 600 ctrs	2 rows at 300 ctrs
Combination 1	3400	5100	7500	15000
Combination 2	2900	4000	5600	11000
Combination 3	2900	4000	4500	11000

Notes:

1. Table values are for 40 kg/m² floors.
2. The table values for nails may be doubled for nails at 150 mm centres, and tripled for nails at 100 mm centres

Multiple member lamination of side loaded beams (Non-symmetrical loading) (cont'd)

- The nail schedules shown apply to both sides of a three (3) piece beam
- Bolts are to be grade 4.6 commercial bolts conforming to AS 1111. Bolt holes are to be a maximum of 13 mm diameter and are to be located NOT less than 50 mm from either edge.
- All bolts shall be fitted with a washer at each end, of a size NOT less than that given in AS 1720.1 table 4.11.

How to use the maximum uniform side load table

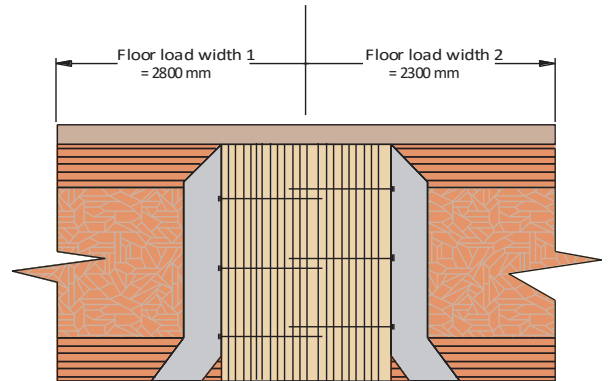
Example: see diagram opposite

Beam of 2 SmartLVL loaded on both side (Combination 1)

FLW 1 = 2800 mm, FLW 2 = 2300 mm

Total FLW = 2800 + 2300 = 5100 mm.

- Use SmartFrame software or SmartLVL safe load tables to size the two member section to support the FLW of 5100 mm.
- Choose the larger of the side FLW's carried by the beam, in this case 2800 mm.
- Enter the table at the "Combination 1" row and scan across to a table value greater than 2800 mm. The first value in the row at 3600 mm is greater than the 2800 mm required.
- Thus adopt 2 rows of 3.75Φ x 90 mm nails at 300 mm centres



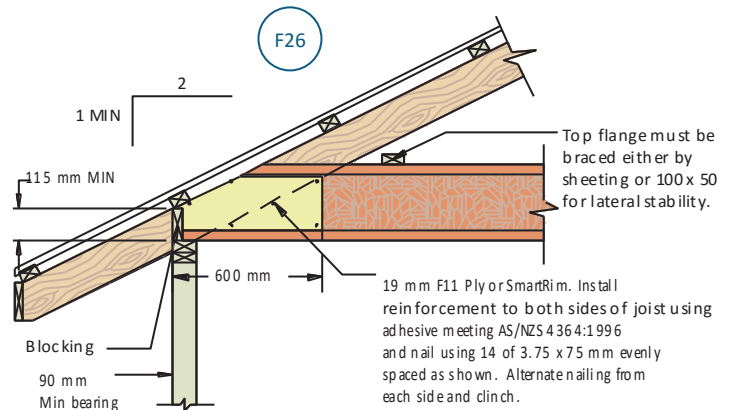
Rafter cuts for SmartJoist floor joists

SmartJoists can be "rafter cut" but only within the limitation shown below.

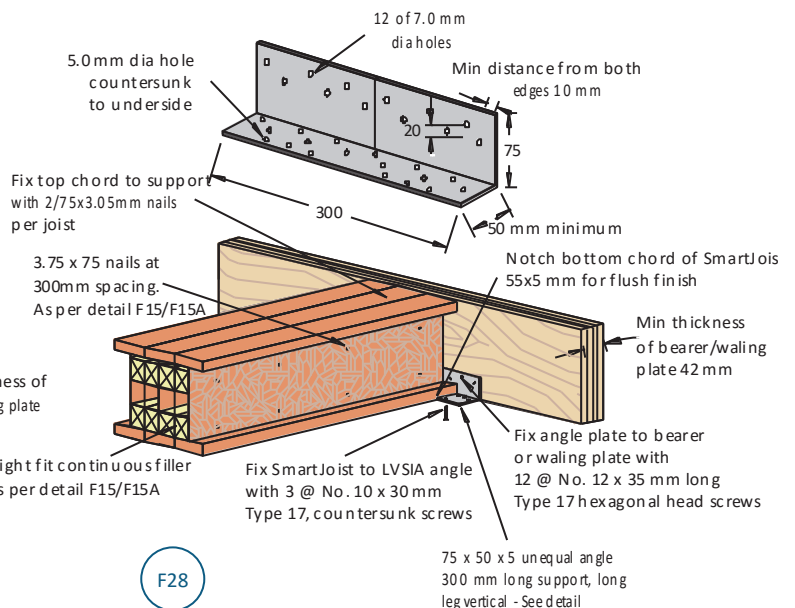
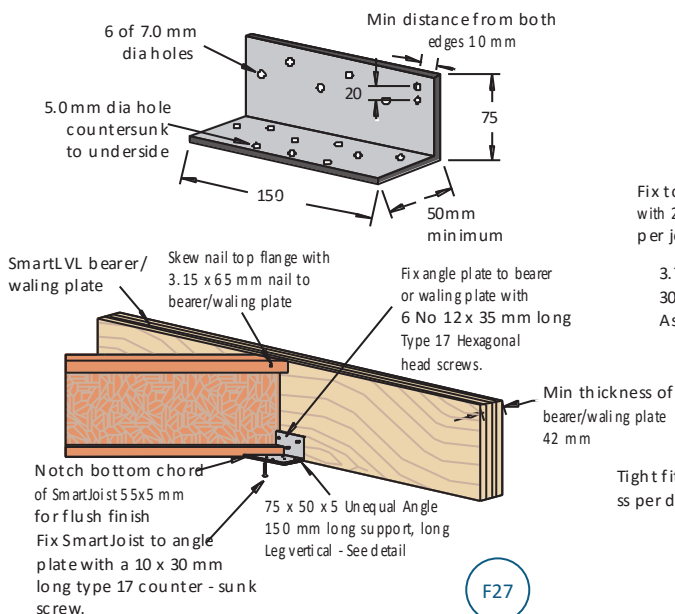
Rafter cuts are limited to:

- 115 mm MINIMUM end height
 - MINIMUM Roof Slopes of 1 in 2 (approximately 26.5°),
- and
- Must be blocked at the end to prevent rotation of the joist.

Joists without reinforcement are limited to design shear and end reactions up to 6.5 kN. Ply reinforcement can be added to joists with rafter cuts to increase the shear and end reaction capacity of the joist. The detail below shows the proper installation of the reinforcement. With the reinforcement added, the end reaction and shear capacity increase to 12.7 kN. Duration of load increases are permitted as per AS1720.1.



Oblique connection options



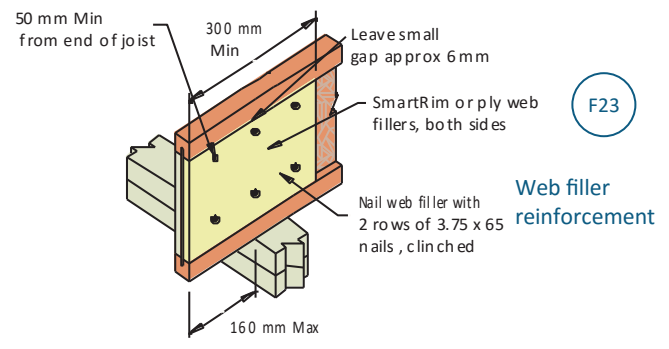
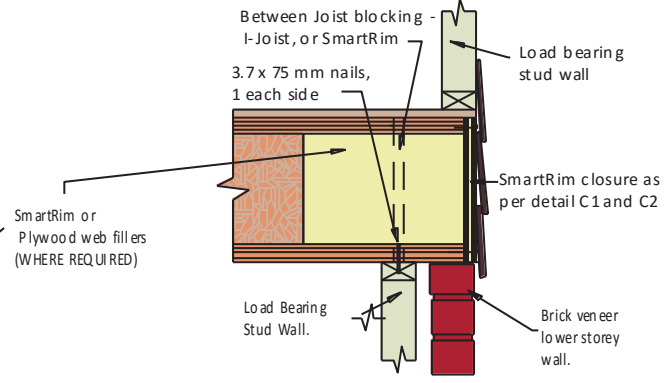
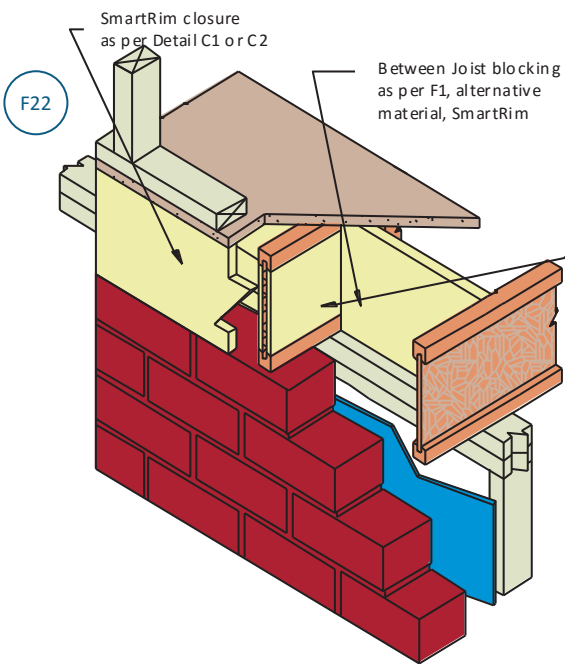
Brick ledge cantilevers construction details

Cantilevered SmartJoists as “brick ledge cantilevers” (Max of 160 mm cantilever) to suit upper storey clad frames DO NOT usually require any special modification (other than the necessary timber or ply/LVL closure member attached to the outer edge as shown in details C1 or C2. The exceptions to this are where concentrated floor loads (e.g. truncated girders, jamb studs) are supported on an Individual cantilevered joist such that the concentrated roof

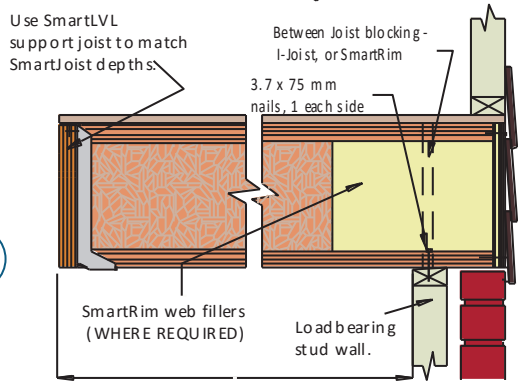
load area supported exceeds that as shown below for an un-reinforced SmartJoist.

Individual joists may be reinforced, if required, as per details F23 or F24 to support a roof load area (measured in square metres) as shown below.

Joist spacing (mm)	Un-reinforced SmartJoist						Web Filler (F23)						Reinforcing one side (F24)					
	Sheet Roof			Tiled Roof			Sheet Roof			Tiled Roof			Sheet Roof			Tiled Roof		
	300	450	600	300	450	600	300	450	600	300	450	600	300	450	600	300	450	600
SmartJoist	Roof area supported (m ²)																	
SJ20044	8.8	7.1	5.4	5.1	4.2	3.2	12.2	10.5	8.8	7.2	6.2	5.2	10.2	8.6	6.9	6.0	5.0	4.0
SJ24040	9.7	8.0	6.3	5.7	4.7	3.7	13.1	11.4	9.7	7.7	6.7	5.7	11.1	9.4	7.7	6.5	5.5	4.5
SJ24051	10.6	8.6	6.9	6.0	5.0	4.1	13.7	12.0	10.3	8.0	7.0	6.1	11.8	10.1	8.4	6.9	5.9	4.9
SJ24070	14.2	13.2	12.2	8.3	7.6	6.9	15.6	14.5	13.3	9.1	8.5	7.8	17.6	16.4	15.2	10.3	9.6	8.9
SJ24090	17.9	16.2	14.5	10.5	9.5	8.5	21.3	19.6	17.9	12.5	11.5	10.5	19.3	17.6	15.9	11.3	10.3	9.3
SJ30040	9.6	8.0	6.3	5.6	4.7	3.7	13.1	11.4	9.7	7.6	6.7	5.7	11.1	9.4	7.7	6.5	5.5	4.5
SJ30051	10.3	8.6	6.9	6.0	5.0	4.0	13.7	12.0	10.3	8.0	7.0	6.0	13.6	12.3	11.2	8.0	7.2	6.6
SJ30070	13.7	12.4	11.2	8.0	7.3	6.6	18.9	17.6	16.4	11.1	10.3	9.6	17.2	15.8	14.6	10.0	9.3	8.6
SJ30090	17.8	16.2	14.5	10.4	9.5	8.5	21.3	19.6	17.9	12.4	11.5	10.5	19.3	17.6	15.9	11.3	10.3	9.3
SJ36058	12.9	11.2	9.5	7.5	6.5	5.5	16.3	14.6	12.9	9.5	8.5	7.6	14.3	12.6	10.9	8.4	7.4	6.4
SJ36090	17.8	16.1	14.4	10.4	9.4	8.5	21.2	19.6	17.9	12.4	11.4	10.5	19.3	17.6	15.9	11.3	10.3	9.3
SJ40090	17.8	16.1	14.4	10.4	9.4	8.4	21.2	19.5	17.9	12.4	11.4	10.5	19.3	17.6	15.9	11.3	10.3	9.3

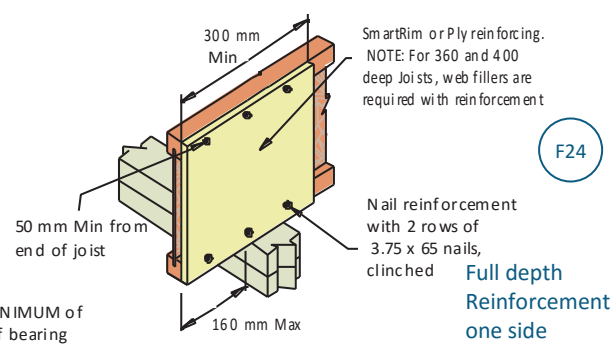


Web filler reinforcement



Trimmer joists where main joist are parallel to brick ledge cantilever wall

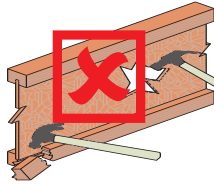
Trimmer Joists to be MINIMUM of 600 mm from inside of bearing plate to support LVL floor Joist.



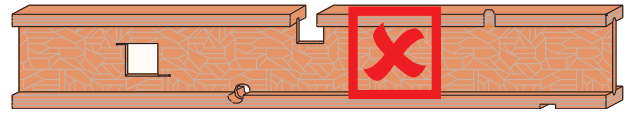
Full depth Reinforcement one side

SmartJoist hole and duct charts

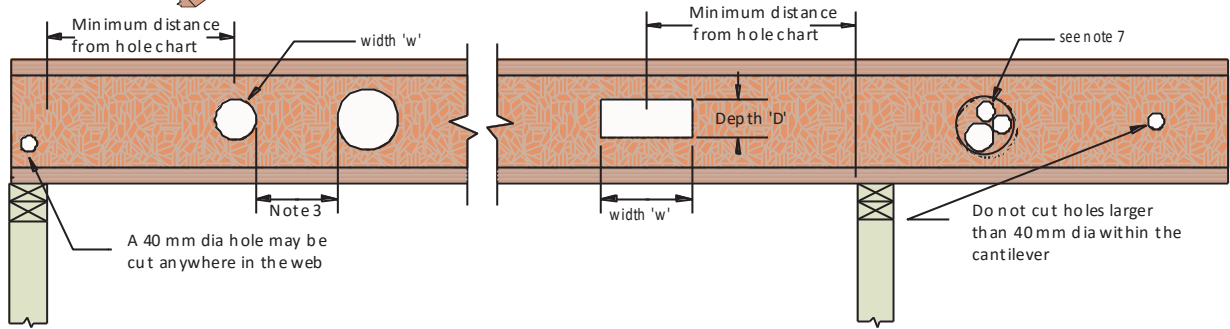
Don't make holes with hammer other than pre-punched knockouts



Don't hammer on flanges and damage joint



**Do not cut or notch flanges
Do not over cut holes in web**



Note: The most accurate method to design the allowable web penetration size and distance from support for SmartJoists is to use the Smart-Frame software. The table below will give conservative results in some instances. Also, advice on hole size and location may be obtained by contacting the Tech Support Customer Helpline on 1300 668 690 or at techsupport@tilling.com.au.

Assumed loading (DL = 62 kg/m², FLL = 2 kPa, FPL = 1.8 kN)

Joist code	Joist span* (mm)	Joist spacing (mm)	Circular/square holes								Rectangular holes				
			Hole diameter/Square hole width (mm)								Depth x Width (mm)				
			75	100	125	150	175	200	225	250	125x150	150x300	175x350	200x400	
Minimum distance from any support to the centre of the hole (mm)															
SJ20044	600-999	300 to 600	300	300	ns	ns	ns	ns	ns	ns	ns	ns	ns	ns	ns
	1000-1499		300	300	ns	ns	ns	ns	ns	ns	ns	ns	ns	ns	ns
	1500-1999		300	300	ns	ns	ns	ns	ns	ns	ns	ns	ns	ns	ns
	2000-2499		300	600	ns	ns	ns	ns	ns	ns	ns	ns	ns	ns	ns
	2500-2999		300	800	ns	ns	ns	ns	ns	ns	ns	ns	ns	ns	ns
	3000-3300		300	900	ns	ns	ns	ns	ns	ns	ns	ns	ns	ns	ns
SJ24040	600-999	300 to 600	300	300	300	ns	ns	ns	ns	ns	ns	ns	ns	ns	ns
	1000-1499		300	300	300	ns	ns	ns	ns	ns	ns	ns	ns	ns	ns
	1500-1999		300	300	300	Span/2	ns	ns	ns	ns	ns	750	Span/2	ns	ns
	2000-2499		300	300	300	Span/2	ns	ns	ns	ns	ns	1000	Span/2	ns	ns
	2500-2999		300	300	500	Span/2	ns	ns	ns	ns	ns	Span/2	Span/2	ns	ns
	3000-3500		300	300	800	Span/2	ns	ns	ns	ns	ns	Span/2	Span/2	ns	ns
SJ24051	600-999	300 to 600	300	300	300	ns	ns	ns	ns	ns	ns	ns	ns	ns	ns
	1000-1499		300	300	300	ns	ns	ns	ns	ns	ns	ns	ns	ns	ns
	1500-1999		300	300	300	Span/2	ns	ns	ns	ns	ns	750	Span/2	ns	ns
	2000-2499		300	300	300	Span/2	ns	ns	ns	ns	ns	1000	Span/2	ns	ns
	2500-2999		300	300	500	Span/2	ns	ns	ns	ns	ns	Span/2	Span/2	ns	ns
	3000-3499		300	300	800	Span/2	ns	ns	ns	ns	ns	Span/2	Span/2	ns	ns
	3500-3800		300	300	1000	Span/2	ns	ns	ns	ns	ns	Span/2	Span/2	ns	ns
SJ24070	600-999	300 to 600	300	300	300	ns	ns	ns	ns	ns	ns	ns	ns	ns	ns
	1000-1499		300	300	300	ns	ns	ns	ns	ns	ns	300	ns	ns	ns
	1500-1999		300	300	300	Span/2	ns	ns	ns	ns	ns	600	Span/2	ns	ns
	2000-2499		300	300	300	Span/2	ns	ns	ns	ns	ns	900	Span/2	ns	ns
	2500-2999		300	300	500	Span/2	ns	ns	ns	ns	ns	1250	Span/2	ns	ns
	3000-3499		300	300	800	Span/2	ns	ns	ns	ns	ns	1500	Span/2	ns	ns
	3500-3999		300	300	1000	Span/2	ns	ns	ns	ns	ns	Span/2	Span/2	ns	ns
	4000-4100		300	450	1100	Span/2	ns	ns	ns	ns	ns	Span/2	Span/2	ns	ns

SmartJoist hole charts (Cont'd)

Assumed load (DL = 62 kg/m ² , FLL = 2 kPa, FPL = 1.8 kN)														
Joist code	Joist span* (mm)	Joist spacing (mm)	Circular/square holes								Rectangular holes			
			Hole diameter/square hole width (mm)								Depth x Width (mm)			
			75	100	125	150	175	200	225	250	125x150	150x300	175x350	200x400
			Minimum distance from any support to the centre of the hole (mm)											
SJ24090	600-999	300 to 600	300	300	300	ns	ns	ns	ns	ns	ns	ns	ns	ns
	1000-1499		300	300	300	ns	ns	ns	ns	ns	300	ns	ns	ns
	1500-1999		300	300	300	700	ns	ns	ns	ns	500	750	ns	ns
	2000-2499		300	300	300	1000	ns	ns	ns	ns	800	1000	ns	ns
	2500-2999		300	300	400	1150	ns	ns	ns	ns	1100	Span/2	ns	ns
	3000-3499		300	300	700	1400	ns	ns	ns	ns	1400	Span/2	ns	ns
	3500-3999		300	300	800	1550	ns	ns	ns	ns	1700	Span/2	ns	ns
	4000-4100		300	300	900	1600	ns	ns	ns	ns	1800	Span/2	ns	ns
SJ30040	600-999	300 to 600	300	300	300	300	300	300	ns	ns	300	300	ns	ns
	1000-1499		300	300	300	300	300	300	ns	ns	300	500	Span/2	ns
	1500-1999		300	300	300	300	300	500	ns	ns	300	Span/2	Span/2	Span/2
	2000-2499		300	300	300	300	300	700	ns	ns	500	Span/2	Span/2	Span/2
	2500-2999		300	300	300	300	400	1000	ns	ns	900	Span/2	Span/2	Span/2
	3000-3499		300	300	300	300	600	1200	ns	ns	1300	Span/2	Span/2	Span/2
	3500-3999		300	300	300	300	900	1450	ns	ns	1750	Span/2	Span/2	Span/2
	4000-4100		300	300	300	400	1000	1500	ns	ns	Span/2	Span/2	Span/2	ns
SJ30051	600-999	300 to 600	300	300	300	300	300	300	ns	ns	300	300	ns	ns
	1000-1499		300	300	300	300	300	300	ns	ns	300	500	Span/2	ns
	1500-1999		300	300	300	300	300	500	ns	ns	300	750	Span/2	Span/2
	2000-2499		300	300	300	300	300	700	ns	ns	400	Span/2	Span/2	Span/2
	2500-2999		300	300	300	300	400	1000	ns	ns	800	Span/2	Span/2	Span/2
	3000-3499		300	300	300	300	600	1200	ns	ns	1200	Span/2	Span/2	Span/2
	3500-3999		300	300	300	300	900	1450	ns	ns	1600	Span/2	Span/2	Span/2
	4000-4300		300	300	300	400	1000	1600	ns	ns	1800	Span/2	Span/2	ns
SJ30070	600-999	300 to 600	300	300	300	300	300	300	ns	ns	300	300	ns	ns
	1000-1499		300	300	300	300	300	300	ns	ns	300	500	Span/2	ns
	1500-1999		300	300	300	300	300	500	ns	ns	300	750	Span/2	Span/2
	2000-2499		300	300	300	300	300	700	ns	ns	400	1000	Span/2	Span/2
	2500-2999		300	300	300	300	400	950	ns	ns	700	1250	Span/2	Span/2
	3000-3499		300	300	300	300	600	1200	ns	ns	1000	Span/2	Span/2	Span/2
	3500-3999		300	300	300	300	900	1450	ns	ns	1400	Span/2	Span/2	Span/2
	4000-4499		300	300	300	500	1100	1700	ns	ns	1800	Span/2	Span/2	Span/2
4500-4600	300	300	300	700	1200	1800	ns	ns	1900	Span/2	Span/2	Span/2		
SJ30090	600-999	300 to 600	300	300	300	300	300	300	ns	ns	300	300	ns	ns
	1000-1499		300	300	300	300	300	300	ns	ns	300	400	Span/2	ns
	1500-1999		300	300	300	300	300	300	ns	ns	300	750	Span/2	Span/2
	2000-2499		300	300	300	300	300	600	ns	ns	300	950	Span/2	Span/2
	2500-2999		300	300	300	300	300	800	ns	ns	500	1200	Span/2	Span/2
	3000-3499		300	300	300	300	400	1100	ns	ns	800	1500	Span/2	Span/2
	3500-3999		300	300	300	300	700	1300	ns	ns	1200	1750	Span/2	Span/2
	4000-4499		300	300	300	300	950	1600	ns	ns	1600	Span/2	Span/2	Span/2
4500-4900	300	300	300	500	1100	1800	ns	ns	1800	Span/2	Span/2	Span/2		

SmartJoist hole charts (Cont'd)

Assumed load (DL = 62 kg/m ² , FLL = 2 kPa, FPL = 1.8 kN)															
Joist code	Joist span (mm)	Joist* spacing (mm)	Circular/square holes								Rectangular holes				
			Hole diameter/square hole width (mm)								Depth x Width (mm)				
			75	100	125	150	175	200	225	250	125x150	150x300	175x350	200x400	
			Minimum distance from any support to the centre of the hole (mm)												
SJ36058	600-999	300 to 600	300	300	300	300	300	300	300	300	300	300	300	ns	ns
	1000-1499		300	300	300	300	300	300	300	300	300	300	300	400	ns
	1500-1999		300	300	300	300	300	300	300	300	400	300	300	700	Span/2
	2000-2499		300	300	300	300	300	300	300	300	700	300	550	900	Span/2
	2500-2999		300	300	300	300	300	300	300	400	900	300	850	1200	Span/2
	3000-3499		300	300	300	300	300	300	300	650	1200	300	1200	1500	Span/2
	3500-3999		300	300	300	300	300	300	400	900	1400	300	1500	1750	Span/2
	4000-4499		300	300	300	300	300	300	600	1100	1700	300	1800	Span/2	Span/2
	4500-5000		300	300	300	300	300	300	800	1400	1900	300	2200	Span/2	Span/2
SJ36090	600-999	300 to 600	300	300	300	300	300	300	300	300	300	300	300	ns	ns
	1000-1499		300	300	300	300	300	300	300	300	300	300	300	300	ns
	1500-1999		300	300	300	300	300	300	300	300	300	300	300	450	700
	2000-2499		300	300	300	300	300	300	300	300	400	300	300	750	1000
	2500-2999		300	300	300	300	300	300	300	300	650	300	450	1000	1250
	3000-3499		300	300	300	300	300	300	300	300	900	300	800	1300	1500
	3500-3999		300	300	300	300	300	300	300	500	1150	300	1100	1600	Span/2
	4000-4499		300	300	300	300	300	300	300	750	1400	300	1450	1900	Span/2
	4500-4999		300	300	300	300	300	300	400	1000	1650	300	1800	2200	Span/2
5000-5400	300	300	300	300	300	300	600	1200	1800	300	2100	2500	Span/2		
SJ40090	600-999	300 to 600	300	300	300	300	300	300	300	300	300	300	300	ns	ns
	1000-1499		300	300	300	300	300	300	300	300	300	300	300	300	ns
	1500-1999		300	300	300	300	300	300	300	300	300	300	300	300	400
	2000-2499		300	300	300	300	300	300	300	300	300	300	300	300	600
	2500-2999		300	300	300	300	300	300	300	300	300	300	300	300	900
	3000-3499		300	300	300	300	300	300	300	300	300	300	300	600	1200
	3500-3999		300	300	300	300	300	300	300	300	400	300	300	1000	1500
	4000-4499		300	300	300	300	300	300	300	300	600	300	300	1300	1800
	4500-4999		300	300	300	300	300	300	300	300	800	300	500	1700	2100
	5000-5499		300	300	300	300	300	300	300	400	900	300	1000	2000	2500
	5500-5700		300	300	300	300	300	300	300	500	1100	300	1200	2200	2750

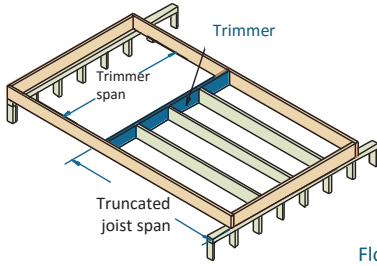
* Single span

Notes:

- The hole chart is generated for single span joists with a maximum floor dead load of 62 kg/m² with no wall or roof loads. It therefore does not apply for joists supporting either parallel or perpendicular load bearing walls. These scenarios can be analysed by using the appropriate model within the Smart-Frame software. Help can be obtained for continuous spans by contacting the Tech Support Helpline on 1300 668 690 or at smartdata@tilling.com.au
- Hole locations are suitable for joist spacings up to 600 mm centres. Holes may be permitted closer to supports for some member when spacings of 450 or 300 mm are used
- The clear distance between holes must equal or exceed twice the diameter of the largest hole, or twice the longest side of a rectangular hole and no more than 3 holes in excess of 75 mm are allowed in any span
- Do not cut or damage flanges under any circumstances
- Except as noted in 1 and 2 above, a 40 mm hole at a minimum of 450 mm centres is allowed to be drilled anywhere in the web EXCEPT in cantilevered spans
- If possible, holes in web should be positioned mid height, minimum edge clearance from any flange is 6 mm
- A group of round holes at approximately the same location shall be permitted if they meet the requirements for a single round hole circumscribed around them.

Openings within SmartFrame floors

Opening trimmer



Floor live load 1.5 kPa

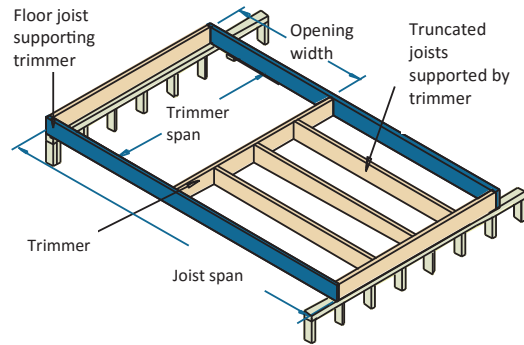
The tables below are for trimmer members of SmartJoists and LVL. Other SmartFrame engineered timber products may also be used for this member, the designs for each of these other material types can be simply calculated by using the SmartFrame software or by contacting the Tech Support Customer Helpline on 1300 668 690 or at techsupport@tilling.com.au.

Floor live load 1.5 kPa

SmartLVL 15	Maximum trimmer span (mm)				
	Truncated joist span (mm)				
	1.5	3.0	4.5	6.0	7.2
200x42	3900	3200	2800	2500	2300
240x42	4500	3800	3300	3000	2800
300x42	5300	4500	4000	3700	3500
360x42	6100	5100	4600	4300	4100
200x58	4300	3600	3100	2800	2600
240x58	4900	4100	3700	3400	3100
300x58	5800	4900	4400	4100	3900
360x58	6600	5600	5000	4700	4400
400x58	7100	6000	5400	5000	4800

SmartJoist	Maximum trimmer span (mm)				
	Truncated joist span (mm)				
	1.5	3.0	4.5	6.0	7.2
SJ20044	3700	3000	2600	2300	2100
SJ24040	4000	3300	2900	2600	2400
SJ24051	4300	3500	3100	2800	2500
SJ24070	4600	3800	3400	3000	2800
SJ24090	4800	4000	3500	3300	3000
SJ30040	4600	3800	3400	3100	2800
SJ30051	4900	3900	3600	3300	3100
SJ30070	5200	4300	3800	3500	3300
SJ30090	5500	4500	4000	3700	3500
SJ36058	5600	4700	4200	3800	3600
SJ36090	6100	5000	4500	4100	3900
SJ40090	6500	5400	4800	4400	4100

Floor live load 1.5 kPa



Trimmer Joists

Trimming joists at floor opening often support the loads from stair stringers, as well as the concentrated load from the trimmer. The table below has been set up to allow a load from stairs equally supported from the floor below (or above) and the trimmer joists. In many cases this will provide a conservative result. Alternative designs can be readily obtained by using the SmartFrame software or by contacting the Tech Support Customer Helpline on 1300 668 690 or at techsupport@tilling.com.au

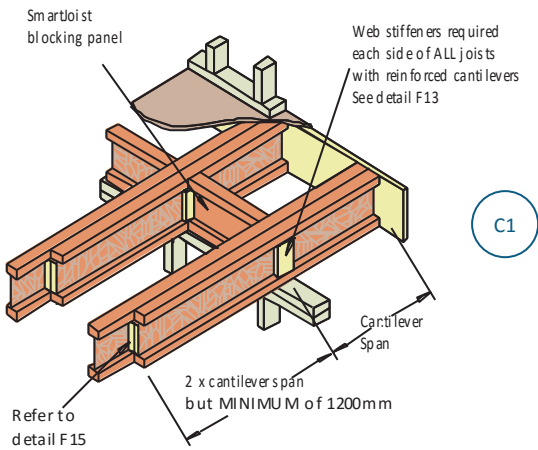
Note: Based on spacing of 600 mm and maximum of 10 mm DL deflection

SmartFrame engineered timber	Maximum trimming joist span (m)												
	Opening width 900 (mm)				Opening width 1800 (mm)				Opening width 2700 (mm)				
	Trimmer span (mm)				Trimmer span (mm)				Trimmer span (mm)				
	2	3	4	5	2	3	4	5	2	3	4	5	
SmartJoist	SJ20044	3300	3100	2800	2600	3400	3200	3100	3000	3700	3600	3600	3500
	SJ24040	3700	3400	3200	3000	3600	3400	3100	3000	4000	3800	3700	3700
	SJ24051	3900	3600	3400	3200	3800	3600	3400	3300	4100	4000	3900	3800
	SJ24070	4200	3900	3700	3500	4100	3800	3600	3500	4400	4200	4000	4000
	SJ24090	4500	4100	3900	3700	4300	4000	3800	3600	4500	4300	4200	4000
	SJ30040	4300	4000	3700	3500	4100	3900	3700	3500	4400	4200	4100	3900
	SJ30051	4500	4200	3900	3700	4300	4000	3800	3700	4600	4400	4200	4100
	SJ30070	4900	4500	4200	4000	4600	4300	4100	3900	4800	4600	4400	4300
	SJ30090	5100	4800	4500	4200	4900	4500	4300	4100	5100	4700	4500	4400
	SJ36058	5300	4900	4700	4400	5000	4600	4400	4200	5200	4800	4600	4400
SJ36090	5700	5300	5000	4800	5400	5000	4800	4400	5500	5100	4900	4700	
SJ40090	6100	5800	5500	5200	5800	5300	5000	4800	5800	5400	5100	4900	
SmartLVL 15	200x42	3600	3200	2900	2700	3600	3300	3100	3000	4000	3900	3700	3600
	240x42	4200	3800	3500	3300	4100	3800	3600	3400	4400	4200	4000	3900
	300x42	5100	4600	4300	4100	4800	4400	4100	4000	5000	4700	4500	4300
	360x42	6000	5400	5100	4800	5500	5000	4700	4500	5600	5200	5000	4800
	200x58	3900	3600	3300	3000	3900	3600	3400	3200	4200	4000	3900	3900
	240x58	4600	4200	3900	3700	4400	4100	3800	3700	4700	4400	4200	4100
	300x58	5600	5100	4800	4500	5200	4800	4500	4300	5300	5000	4800	4600
	360x58	6600	6000	5600	5300	6000	5500	5100	4900	6000	5600	5300	5100
400x58	7200	6600	6200	5700	6500	6000	5600	5300	6500	6000	5700	5400	

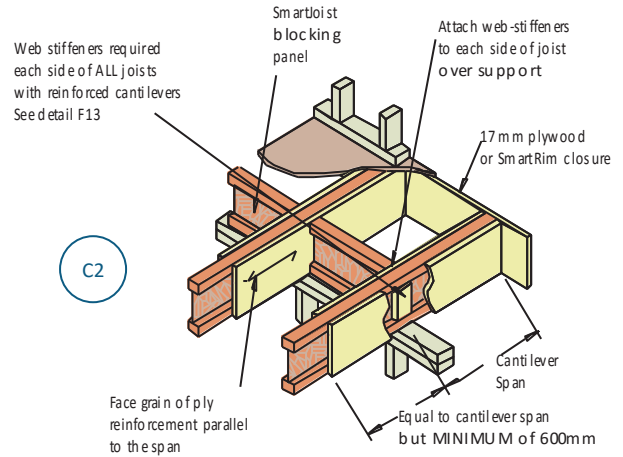
Spans in the preceding table are based upon a uniform roof load width at the cantilever end of each joist. The presence of large windows or openings within the load bearing wall supported by these cantilevered joists create concentrated loads at the edges of such openings. The joists supporting the concentrated loads will require special engineering consideration to avoid excess loads and differential deflections between adjacent joists. It is strongly recommended that where concentrated loads occur on cantilevered joists that advice be sought from the Tech Support Customer Helpline on 1300 668 690 or at techsupport@tilling.com.au.

Example construction details for load-bearing cantilevers

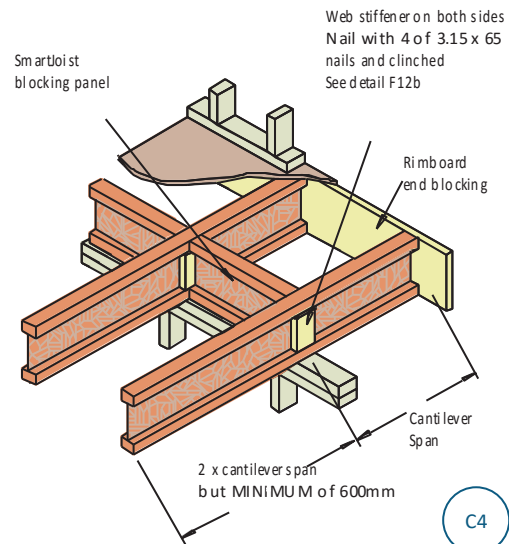
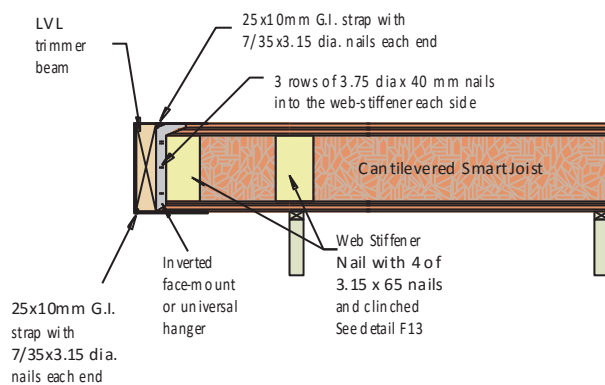
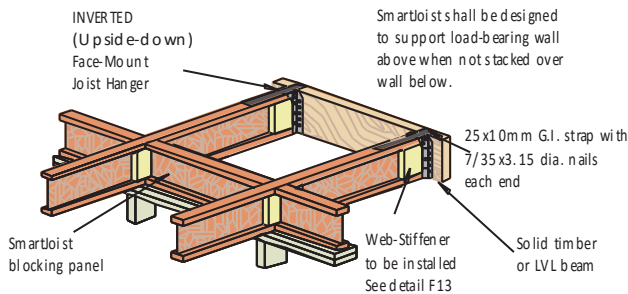
Note: Option 1 with cantilever reinforced with an extra SmartJoist is equivalent to option 2 with 2 sheets of ply reinforcement.



NOTE:
Block together full length with filler blocks as per detail F15 of the SmartJoist Design Guide



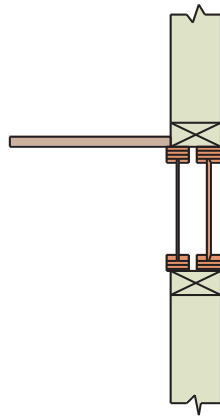
NOTE:
15mm F11 structural ply is required on one or both sides of the joist (See Tables). Depth shall match the full height of the SmartJoist. Nail with 3.15 x 65 nails at 100mm ctrs in a staggered pattern.



SmartJoists supporting parallel load-bearing walls

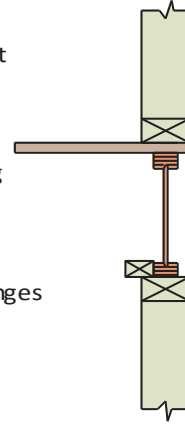
Fitted floors

Double SmartJoists required for fixing of floor and ceiling, and when required by table below
AND
for SmartJoists with 40 mm wide flanges

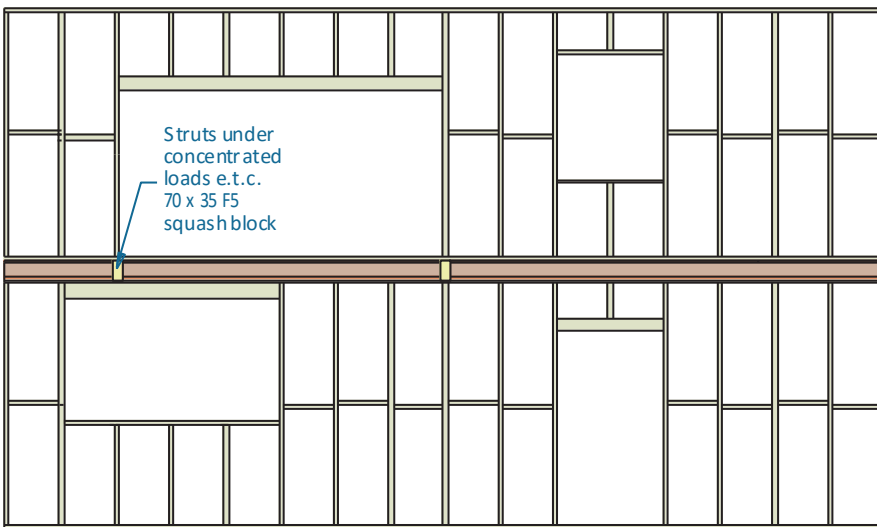


Platform floors

Single SmartJoist with flange > 50 mm may be used, but requires alternative fixing for ceiling.
NOT suitable for SmartJoists with 40 mm wide flanges e.g. SJ24040

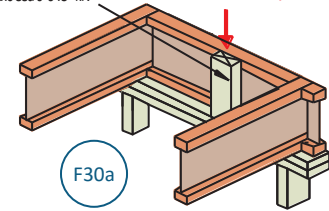


Joists continuously supported by lower walls



Fix 90x45mm F5 compression block to SmartJoist where load exceeds 6.5 kN*

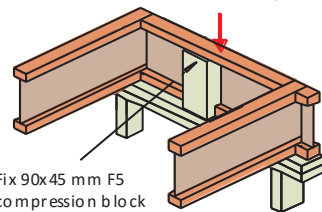
Concentrated point loads (eg, girder trusses, TG's all beams & jamb studs)



F30a

Single SmartJoists with flange width < plate width

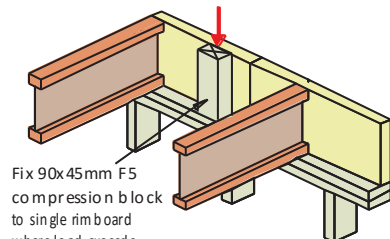
Concentrated point loads (eg, girder trusses, TG's all beams & jamb studs)



F30b

Single SmartJoists with flange width >= plate width

Concentrated point loads (eg, girder trusses, TG's all beams & jamb studs)

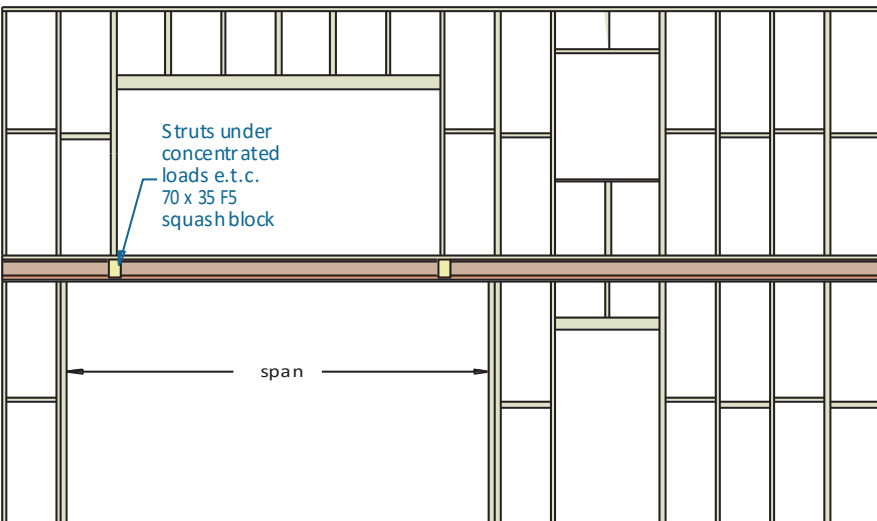


Fix 90x45mm F5 compression block to single rim board where load exceeds 26.0 kN*

F30c

Single SmartRim

Joist non-continuously supported by lower wall



Single (and double) SmartJoists are adequate to transfer uniformly distributed compression loads up to 29 kN/m per joist from loadbearing walls to a continuous rigid support below. Detail F5 and F8 are used to transfer concentrated loads where walls are perpendicular to the joists. Details F30a, F30b and F30c above must be used to transfer concentrated loads through parallel SmartJoists where the instantaneous reaction exceeds

6.5 kN and exceeds 26.0 kN for single SmartRim (reaction needs to be factored for load duration)

The table below gives allowable spans for single and double joists NOT continuously supported by a parallel wall. Care must always be taken to adequately support the web of the joists from concentrated point loads from above by adopting details F13.

Single SmartJoists supporting parallel load bearing walls

Floor load width (mm)		900			1200			1500		
Roof load width (mm)	Roof mass (kg/m ²)	1500	3000	5000	1500	3000	5000	1500	3000	5000
SmartJoist		Maximum single span (mm)								
SJ20044	40	2800	2400	2100	2600	2300	2000	2400	2400	1900
	90	2400	1900	1600	2200	1900	1500	2100	1800	1400
SJ24040	40	3100	2800	2400	2900	2600	2300	2700	2500	2200
	90	2700	2200	1900	2500	2100	1800	2400	2100	1800
SJ24051	40	3200	2900	2600	3100	2800	2500	2900	2700	2400
	90	2900	2400	2000	2700	2300	1900	2600	2200	1800
SJ24070	40	3500	3100	2900	3300	3000	2700	3100	2900	2600
	90	3100	2600	2200	3000	2500	2100	2900	2400	2000
SJ24090	40	3700	3200	3000	3500	3200	2900	3300	3100	2800
	90	3300	2800	2300	3100	2700	2300	3000	2600	2200
SJ30040	40	3600	3200	2900	3300	3100	2800	3200	3000	2900
	90	3100	2700	2300	3000	2600	2200	2900	2500	2100
SJ30051	40	3700	3400	3100	3500	3200	3000	3300	3100	2900
	90	3300	2900	2400	3200	2900	2400	3100	2700	2300
SJ30070	40	4000	3600	3300	3800	3500	3200	3600	3300	3100
	90	3500	3100	2700	3400	3000	2600	3300	2900	2500
SJ30090	40	4200	3800	3500	4000	3700	3400	3800	3500	3300
	90	3700	3200	2900	3600	3200	2800	3500	3100	2700
SJ36058	40	4300	3900	3600	4100	3800	3500	3900	3600	3400
	90	3800	3400	3000	3700	3300	2900	3600	3200	2700
SJ36090	40	4700	4200	3900	4400	4100	3700	4200	3900	3600
	90	4200	3600	3200	4000	3500	3100	3900	3400	3100
SJ40090	40	5000	4500	4100	4700	4300	4000	4500	4200	3900
	90	4400	3900	3400	4300	3800	3300	4100	3700	3300
		Maximum Continuous span (mm)								
SJ20044	40	3700	3300	2900	3500	3200	2800	3200	3000	2600
	90	3300	2500	1800	3100	2400	1700	2900	2200	1600
SJ24040	40	3800	3300	2800	3400	3100	2700	3100	2900	2600
	90	3200	2600	2100	3000	2500	2100	2800	2400	2100
SJ24051	40	4200	3800	3400	4000	3700	3200	3700	3500	3100
	90	3800	3100	2300	3600	2900	2200	3400	2800	2100
SJ24070	40	4500	4100	3800	4300	3900	3600	4100	3800	3500
	90	4000	3500	2500	3900	3200	2400	3700	3000	2300
SJ24090	40	4800	4300	4000	4500	4200	3800	4300	4000	3700
	90	4300	3700	2700	4100	3500	2600	4000	3300	2500
SJ30040	40	3900	3300	2900	3500	3100	2800	3200	3000	2700
	90	3200	2600	2200	3100	2500	2200	2900	2500	2100
SJ30051	40	4700	4100	3500	4300	3800	3400	3900	3600	3200
	90	4000	3200	2700	3700	3100	2600	3500	3000	2500
SJ30070	40	5100	4700	4300	4900	4500	4200	4700	4300	4000
	90	4600	4000	3200	4400	3800	3000	4300	3700	2900
SJ30090	40	5400	5000	4500	5100	4800	4400	4900	4600	4300
	90	4900	4200	3500	4700	4100	3300	4500	4000	3200
SJ36058	40	5600	4900	4300	5200	4600	4100	4700	4400	3900
	90	4800	3900	3300	4500	3800	3200	4300	3600	3000
SJ36090	40	6000	5500	5000	5700	5300	4900	5500	5100	4700
	90	5400	4700	3900	5200	4600	3800	5000	4500	3600
SJ40090	40	6400	5800	5300	6100	5600	5200	5800	5400	5000
	90	5700	5000	4200	5500	4900	4000	5300	4800	3900

NOTES:

1. Bearing lengths - minimum of 30 mm
2. Wall loads assumed 0.37 kPa
3. Floor load loads 1.5 kPa or 1.8 kN point live load
4. Upper floor dead load 40 kg/m².
5. deflection limits: permanent load - span/300 or 12 mm max LL - span/360 or 9 mm max.

Single SmartJoists supporting parallel load bearing walls

Floor load width (mm)		900			1200			1500		
Roof load width (mm)	Roof mass (kg/m ²)	1500	3000	5000	1500	3000	5000	1500	3000	5000
SmartJoist		Maximum single span (mm)								
2/SJ20044	40	3500	3200	2900	3300	3100	2800	3200	3000	2700
	90	3100	2700	2300	3000	2600	2200	2900	2500	2200
2/SJ24040	40	3800	3500	3200	3600	3400	3100	3500	3300	3000
	90	3400	3000	2600	3300	3000	2600	3200	2900	2500
2/SJ24051	40	4000	3700	3400	3800	3600	3300	3700	3400	3200
	90	3600	3200	2800	3500	3100	2700	3400	3000	2700
2/SJ24070	40	4300	4000	3600	4100	3800	3500	3900	3700	3400
	90	3900	3400	3000	3700	3300	3000	3600	3300	2900
2/SJ24090	40	4600	4200	3800	4300	4000	3700	4200	3900	3600
	90	4100	3600	3200	4000	3500	3200	3800	3400	3100
2/SJ30040	40	4400	4000	3700	4100	3800	3600	4000	3700	3500
	90	3900	3500	3100	3800	3400	3000	3700	3300	3000
2/SJ30051	40	4600	4200	3900	4400	4100	3800	4200	3900	3700
	90	4100	3700	3300	4000	3600	3200	3900	3500	3200
2/SJ30070	40	4900	4500	4100	4700	4300	4000	4500	4200	3900
	90	4400	3900	3500	4300	3800	3400	4100	3700	3400
2/SJ30090	40	5200	4800	4400	5000	4600	4200	4700	4400	4100
	90	4700	4100	3700	4500	4000	3600	4400	3900	3500
2/SJ36058	40	5300	4900	4500	5100	4700	4400	4800	4500	4200
	90	4800	4200	3800	4600	4100	3700	4500	4000	3600
2/SJ36090	40	5800	5300	4900	5500	5100	4700	5300	4900	4600
	90	5200	4600	4100	5000	4500	4000	4800	4400	3900
2/SJ40090	40	6100	5600	5200	5800	5400	5000	5600	5200	4900
	90	5500	4900	4300	5300	4700	4300	5100	4600	4200
Maximum Continuous span (mm)										
2/SJ20044	40	4400	4000	3500	4100	3700	3300	3800	3500	3200
	90	3900	3100	2600	3600	3000	2600	3500	2900	2500
2/SJ24040	40	4100	3600	3100	3800	3400	3000	3500	3200	2900
	90	3500	2900	2400	3300	2800	2300	3100	2700	2300
2/SJ24051	40	5100	4500	3900	4700	4200	3700	4300	4000	3600
	90	4300	3600	3000	4100	3400	2900	3900	3300	2800
2/SJ24070	40	5400	5000	4600	5200	4800	4400	5000	4600	4300
	90	4900	4300	3800	4700	4200	3700	4600	4100	3600
2/SJ24090	40	5800	5300	4800	5500	5100	4700	5300	4900	4600
	90	5200	4600	4100	5000	4500	4000	4800	4400	3900
2/SJ30040	40	4100	3500	3100	3700	3300	2900	3400	3100	2800
	90	3400	2800	2400	3200	2700	2300	3100	2600	2300
2/SJ30051	40	5000	4400	3800	4600	4100	3700	4300	3900	3500
	90	4300	3500	2900	4000	3400	2900	3800	3300	2800
2/SJ30070	40	6200	5700	5000	5900	5400	4700	5500	5100	4600
	90	5500	4500	3800	5200	4400	3700	5000	4200	3600
2/SJ30090	40	6600	6000	5500	6300	5800	5400	6000	5600	5200
	90	5900	5200	4600	5700	5100	4600	5500	5000	4500
2/SJ36058	40	6100	5300	4600	5500	5000	4400	5100	4700	4200
	90	5100	4200	3500	4800	4100	3500	4600	3900	3400
2/SJ36090	40	7300	6700	6100	6900	6400	6000	6600	6200	5700
	90	6600	5700	4800	6300	5500	4700	6100	5300	4600
2/SJ40090	40	7700	7100	6200	7400	6700	5900	6900	6400	5700
	90	7000	5700	4700	6600	5400	4600	6200	5300	4500

NOTES:

1. bearing lengths - minimum of 30 mm
2. wall loads assumed 0.37 kPa
3. floor load Loads 1.5 kPa or 1.8 kN point live load.
4. upper floor dead load 40 kg/m²
5. deflection limits: permanent load - span/300 or 12 mm max LL - span/360 or 9 mm max.

SmartJoist as rafters

About roofs

Roof members are subject to dead and live loads as well as wind loads. These wind loads can act either down onto the roof, or can create an uplift effect. For roofs of light construction, the uplift loads generally control the maximum span, whereas it is usual for dead and live loads to be the controlling factors for heavier roofs (e.g. tiles). SmartJoists, by their large depth to width ratio, perform well in roof situations providing that their upper and lower flanges have adequate lateral support provided by battens and/or ceiling materials. Due to this fact, the spans in the table below only apply for roofs which meet the following criteria:

- Enclosed building
- Ceiling fastened to the underside of bottom flange or

adequate lateral supports to bottom flange at a minimum of 600 mm centres

- Roofs are constructed as per details R1 to R9 of this manual
- Batten spacing at a maximum of 1200 centres.

Tie downs

Wind loadings on light roofs can produce net uplift pressures. The same requirements and methods of tie down apply to SmartJoists as for solid timber roof members except that any tie down system must extend over the top flange. Guidance for tie down requirements are provided in AS1684.

Wind Classification N1 - N3

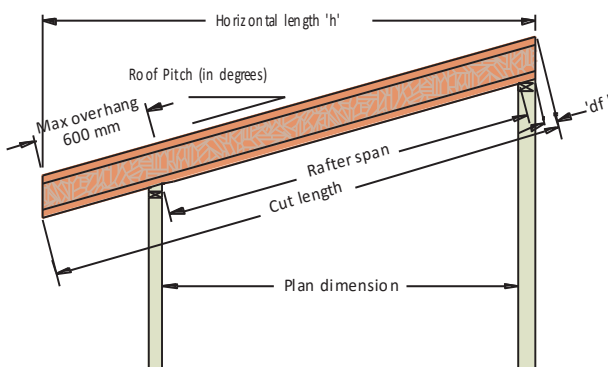
Max Deflections DL: Span/300 LL: Span/250 WL: Span/150. Max Slope = 25°.

Joist Code	Roof mass (kg/m ²)	Single span @ 25° pitch				Continuous 2 span @ 25° pitch			
		Rafter/roof beam spacing (mm)							
		450	600	900	1200	450	600	900	1200
Recommended maximum rafter span - Plan dimension (mm)									
SJ20044	40	5000	4600	4000	3650	N/A ⁽¹⁾	N/A ⁽¹⁾	N/A ⁽¹⁾	4550
	90	3850	3500	3050	2750	N/A ⁽¹⁾	4900	4250	3800
SJ24040*	40	5600	5150	4500	4100	N/A ⁽¹⁾	N/A ⁽¹⁾	4850	4300
	90	4350	3950	3450	3100	N/A ⁽¹⁾	4750	4050	3550
SJ24051	40	6000	5550	4850	4450	N/A ⁽¹⁾	N/A ⁽¹⁾	N/A ⁽¹⁾	5200
	90	4700	4250	3700	3350	N/A ⁽¹⁾	N/A ⁽¹⁾	4950	4350
SJ24070	40	6600	6050	5350	4850	N/A ⁽¹⁾	N/A ⁽¹⁾	N/A ⁽¹⁾	N/A ⁽¹⁾
	90	5100	4650	4050	3650	N/A ⁽¹⁾	N/A ⁽¹⁾	N/A ⁽¹⁾	N/A ⁽¹⁾
SJ24090	40	7000	6500	5750	5250	N/A ⁽¹⁾	N/A ⁽¹⁾	N/A ⁽¹⁾	N/A ⁽¹⁾
	90	5500	5050	4400	3950	N/A ⁽¹⁾	N/A ⁽¹⁾	N/A ⁽¹⁾	N/A ⁽¹⁾
SJ30040*	40	6600	6100	5400	4850	N/A ⁽¹⁾	N/A ⁽¹⁾	N/A ⁽¹⁾	N/A ⁽¹⁾
	90	5200	4700	4100	3700	N/A ⁽¹⁾	N/A ⁽¹⁾	N/A ⁽¹⁾	N/A ⁽¹⁾
SJ30051	40	7100	6550	5800	5300	N/A ⁽¹⁾	N/A ⁽¹⁾	N/A ⁽¹⁾	N/A ⁽¹⁾
	90	5600	5050	4450	4000	N/A ⁽¹⁾	N/A ⁽¹⁾	N/A ⁽¹⁾	N/A ⁽¹⁾
SJ30070	40	7800	7200	6350	5800	N/A ⁽¹⁾	N/A ⁽¹⁾	N/A ⁽¹⁾	N/A ⁽¹⁾
	90	6100	5550	4850	4400	N/A ⁽¹⁾	N/A ⁽¹⁾	N/A ⁽¹⁾	N/A ⁽¹⁾
SJ30090	40	8250	7700	6800	6250	N/A ⁽¹⁾	N/A ⁽¹⁾	N/A ⁽¹⁾	N/A ⁽¹⁾
	90	6550	6000	5200	4700	N/A ⁽¹⁾	N/A ⁽¹⁾	N/A ⁽¹⁾	N/A ⁽¹⁾
SJ36058	40	8450	7950	7000	6400	N/A ⁽¹⁾	N/A ⁽¹⁾	N/A ⁽¹⁾	N/A ⁽¹⁾
	90	6750	6150	5400	4850	N/A ⁽¹⁾	N/A ⁽¹⁾	N/A ⁽¹⁾	N/A ⁽¹⁾
SJ36090	40	9150	8650	7800	7150	N/A ⁽¹⁾	N/A ⁽¹⁾	N/A ⁽¹⁾	N/A ⁽¹⁾
	90	7550	6900	6000	5450	N/A ⁽¹⁾	N/A ⁽¹⁾	N/A ⁽¹⁾	N/A ⁽¹⁾
SJ40090	40	9650	9150	8350	7750	N/A ⁽¹⁾	N/A ⁽¹⁾	N/A ⁽¹⁾	N/A ⁽¹⁾
	90	8150	7450	6500	5900	N/A ⁽¹⁾	N/A ⁽¹⁾	N/A ⁽¹⁾	N/A ⁽¹⁾

NOTE: ⁽¹⁾ Maximum Continuous spans exceed the maximum available length of the SmartJoist

*Product not currently available in NSW—check before ordering

Sloped roof span and cut lengths



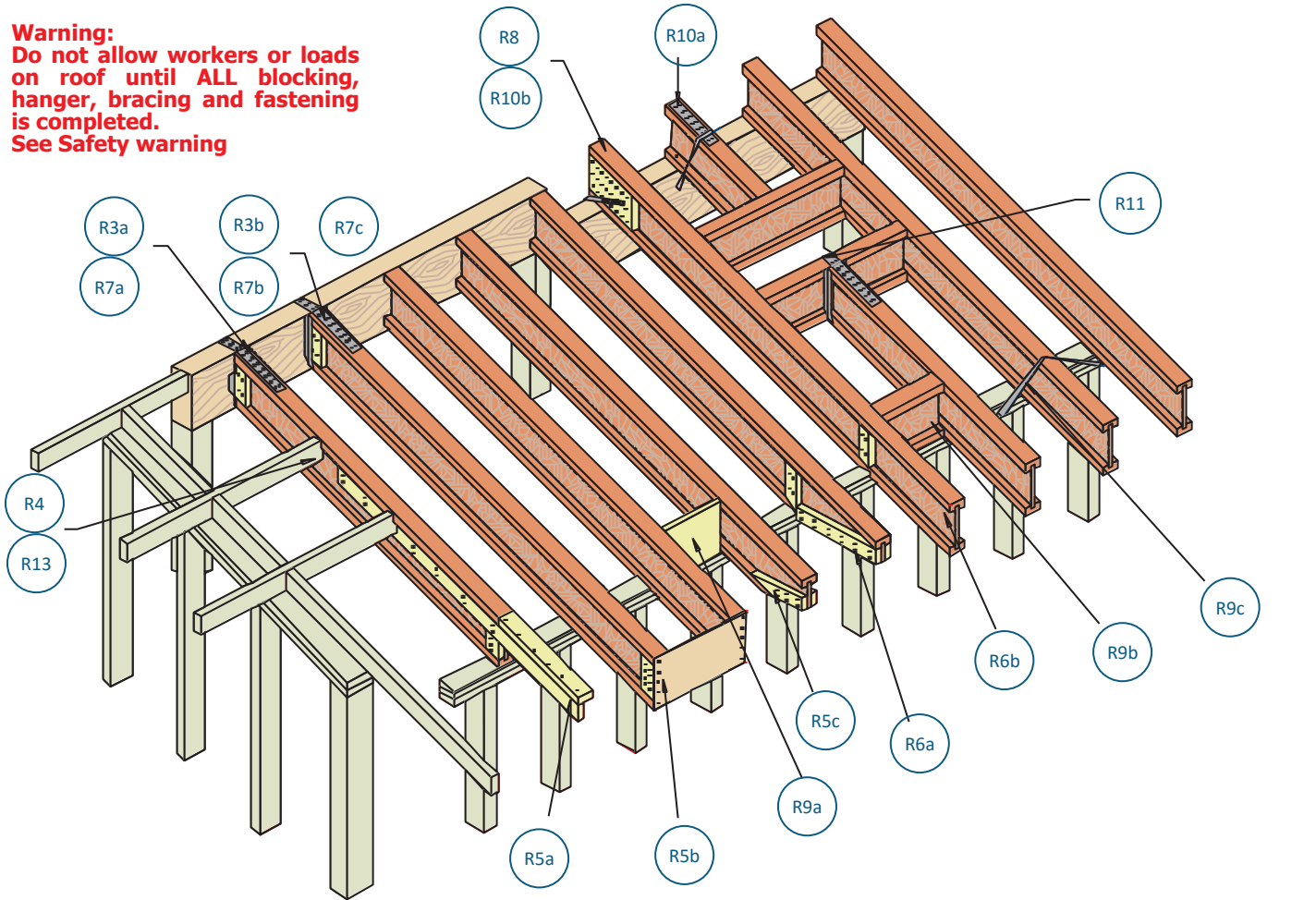
Roof slope degrees	Slope factor 's _f '	Depth factor 'd _f '				
		Joist depth (mm)				
		200	240	300	360	400
15.0	1.04	54	64	80	96	107
17.5	1.05	63	76	95	113	126
20.0	1.06	73	88	109	131	146
22.5	1.08	83	99	124	149	166
25.0	1.10	93	112	140	168	187
27.5	1.13	104	125	156	187	208
30.0	1.15	115	139	173	208	231
35.0	1.22	140	168	210	252	280

span (mm) = plan dimension x slope factor (s_f)

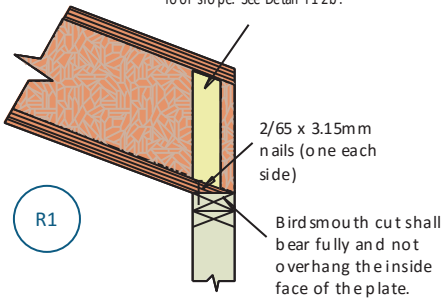
Cut length (mm) = horizontal length (h) x slope factor (s_f) + depth factor (d_f) = h x s_f + d_f

Typical SmartJoist Roof details

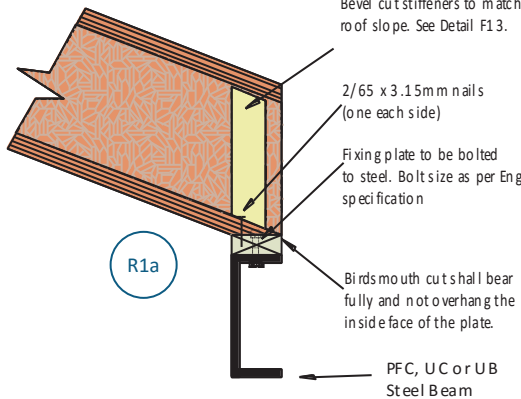
Warning:
Do not allow workers or loads on roof until ALL blocking, hanger, bracing and fastening is completed.
See Safety warning



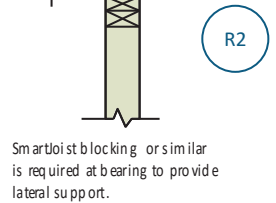
Web stiffeners required each side of SmartJoist. Bevel cut stiffeners to match ro of slope. See Detail F12b.



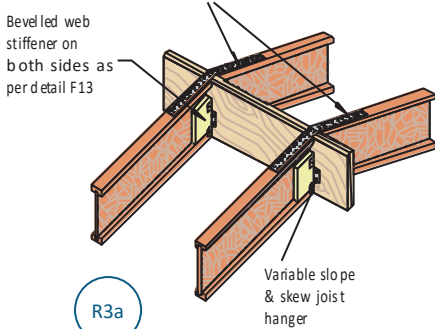
Web stiffeners required each side of SmartJoist. Bevel cut stiffeners to match ro of slope. See Detail F13.



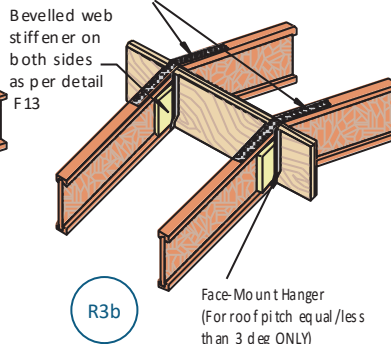
Do not bevel cut joists beyond inside face of wall.



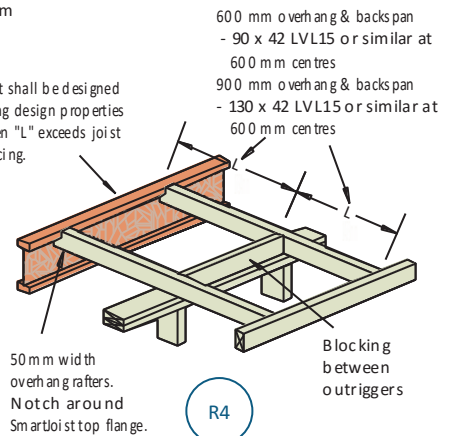
25x1.0mm G.I. strap with 7/35 x 3.15mm nails each end



25x1.0mm G.I. strap with 7/35 x 3.15mm nails each end

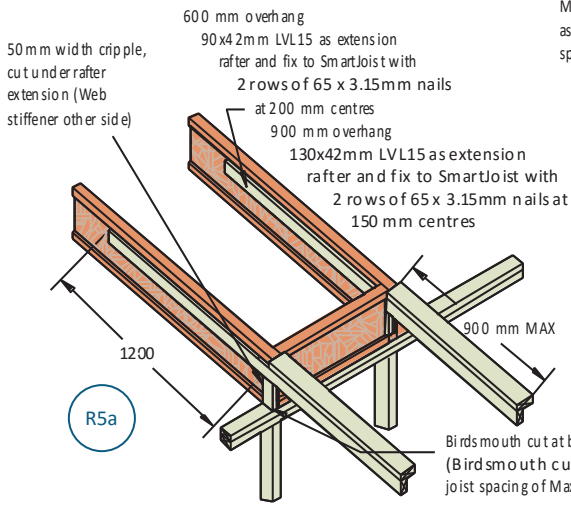


Joist shall be designed using design properties when "L" exceeds joist spacing.

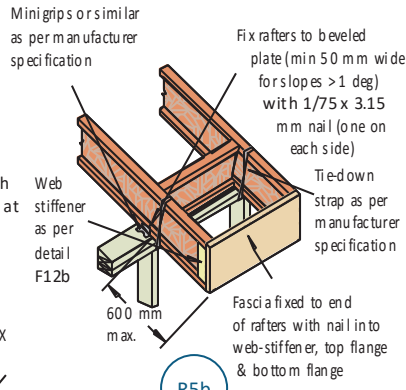


Note: Tiedown details to be designed to AS 1684.2 for the respective wind loads with the SmartFrame software

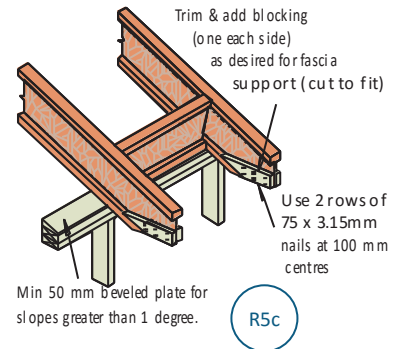
Typical SmartJoist Roof details (cont'd)



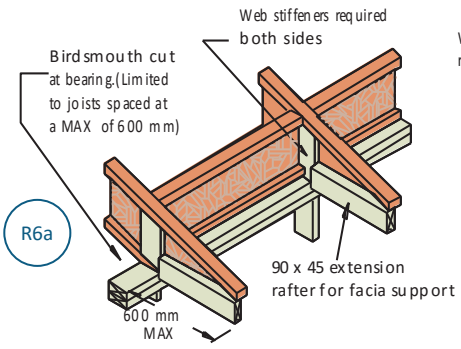
R5a



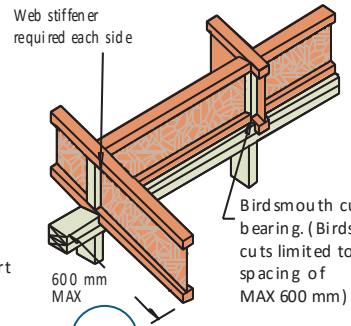
R5b



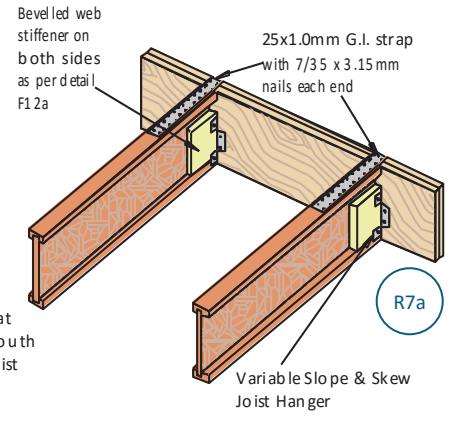
R5c



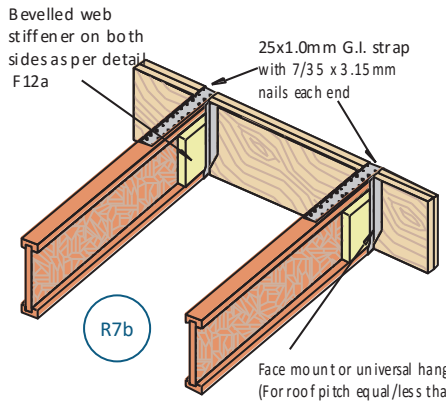
R6a



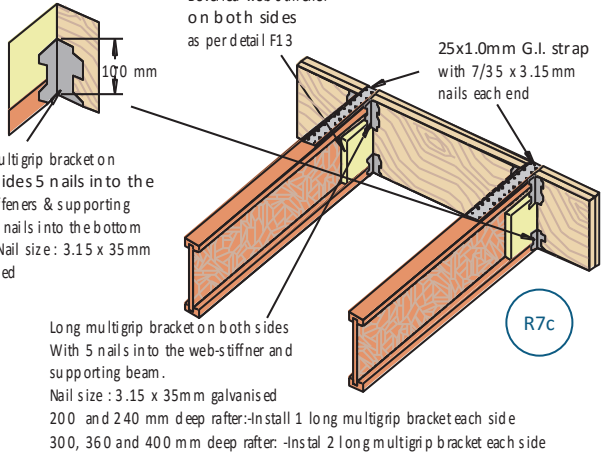
R6b



R7a

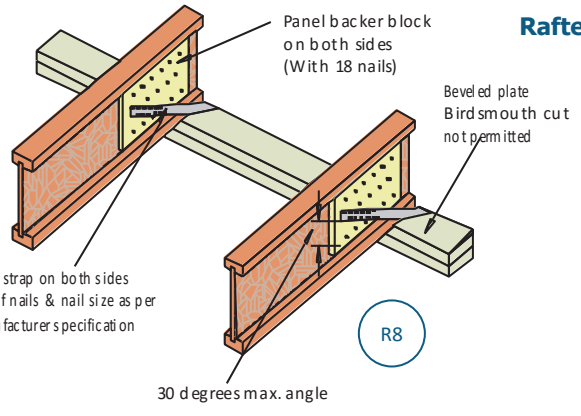


R7b



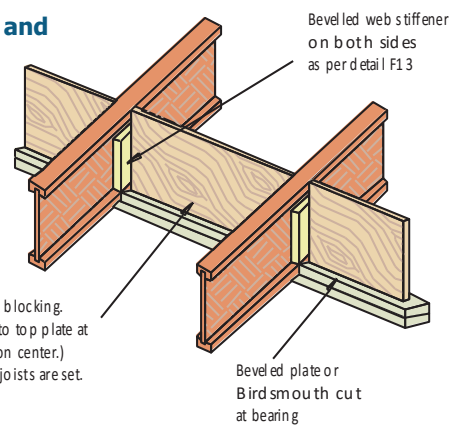
R7c

Long multigrip bracket on both sides With 5 nails into the web-stiffener and supporting beam.
Nail size: 3.15 x 35mm galvanised
200 and 240 mm deep rafter: -Install 1 long multigrip bracket each side
300, 360 and 400 mm deep rafter: -Install 2 long multigrip bracket each side



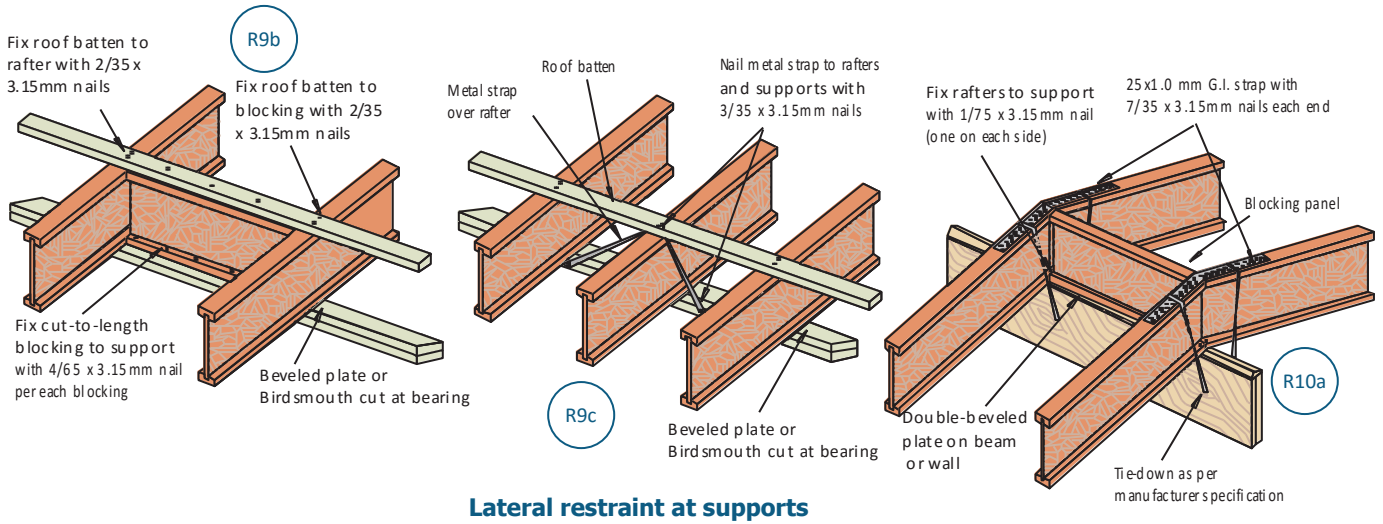
R8

Rafter tie-down and blocking

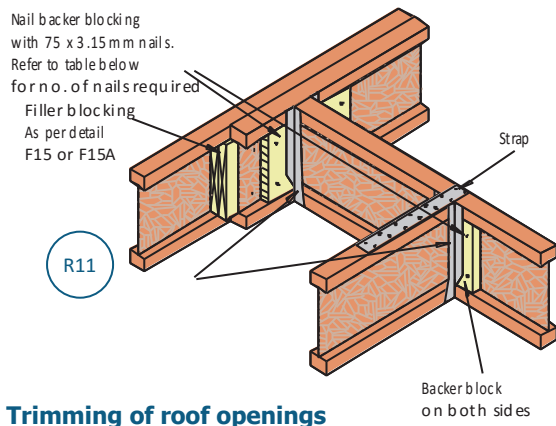
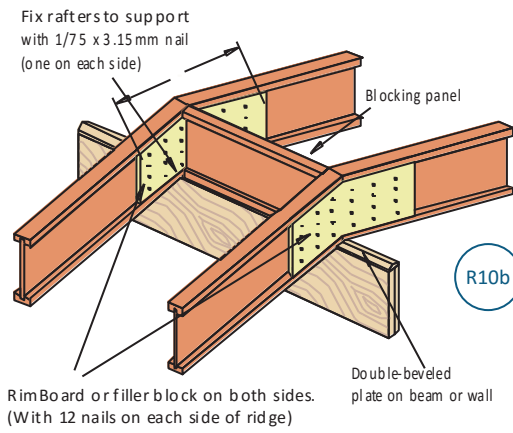


R9a

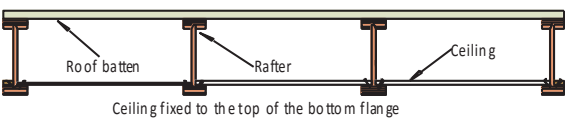
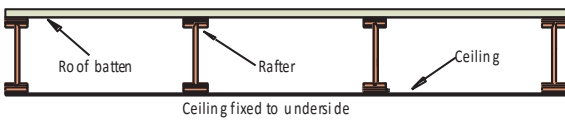
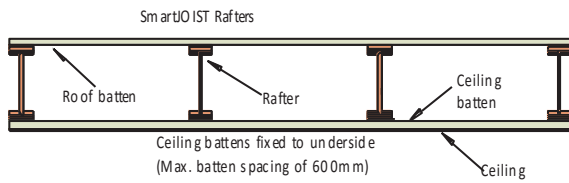
Typical SmartJoist Roof details (cont'd)



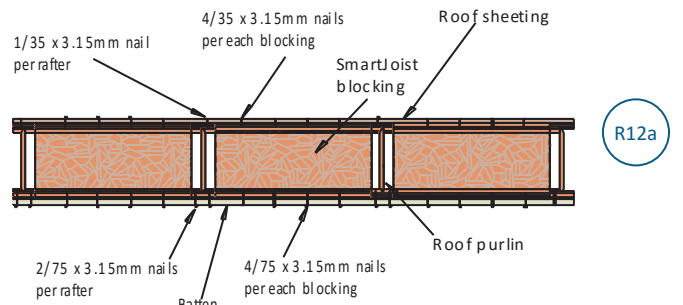
Lateral restraint at supports



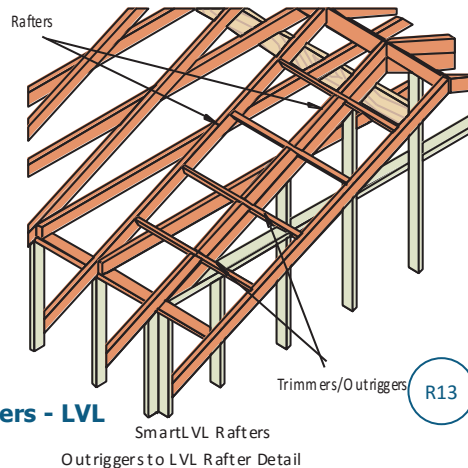
Trimming of roof openings



Lateral restraint for rafters - Use of ceiling options to provide lateral support



Lateral restraint - SmartJoist blocking fixing



Outrigger rafters - LVL

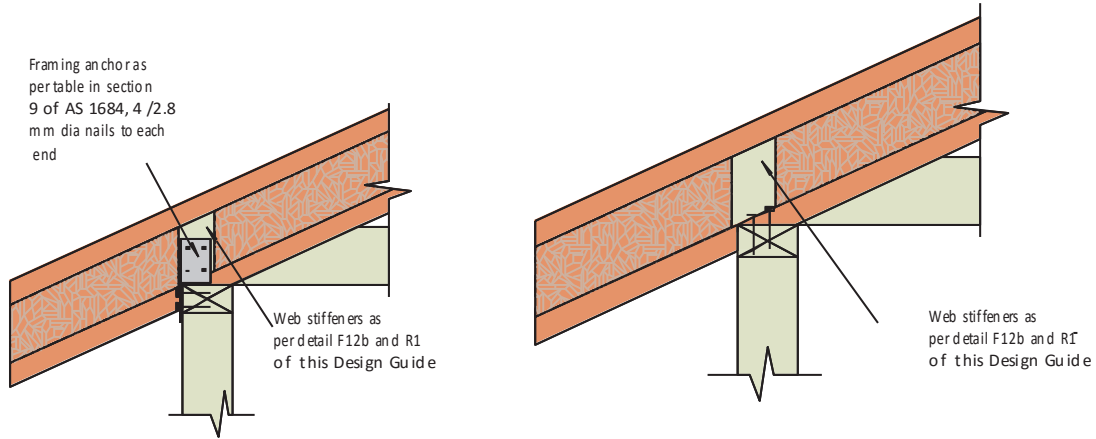
SmartJoist rafter tie down

SmartJoist rafters need to be tied down in wind uplift situations in a similar manner to solid timber as shown in section 9 of AS 1684. It is beyond the scope of this document to show tie down requirements for every case.

The examples shown in this section are equally applicable to SmartJoists except that web stiffeners as per detail F12a and R1 must be installed to the SmartJoists where either skewed nails or framing anchors are chosen as the tie down method before the uplift capacities in the tables in section 9 of AS 1684 can be adopted.

All tie down types that involve a strap over the top of the SmartJoist rafters, or involving the bolting down of a member above the rafter running in the perpendicular direction, require no modification to the SmartJoist and therefore uplift capacities in the tables in section 9 of AS 1684 may be used.

The SmartFrame software has a tie-down module in which the development of tie down systems complying with section 9 of AS 1684 can be easily designed.



Typical SmartJoist rafter box gutter details

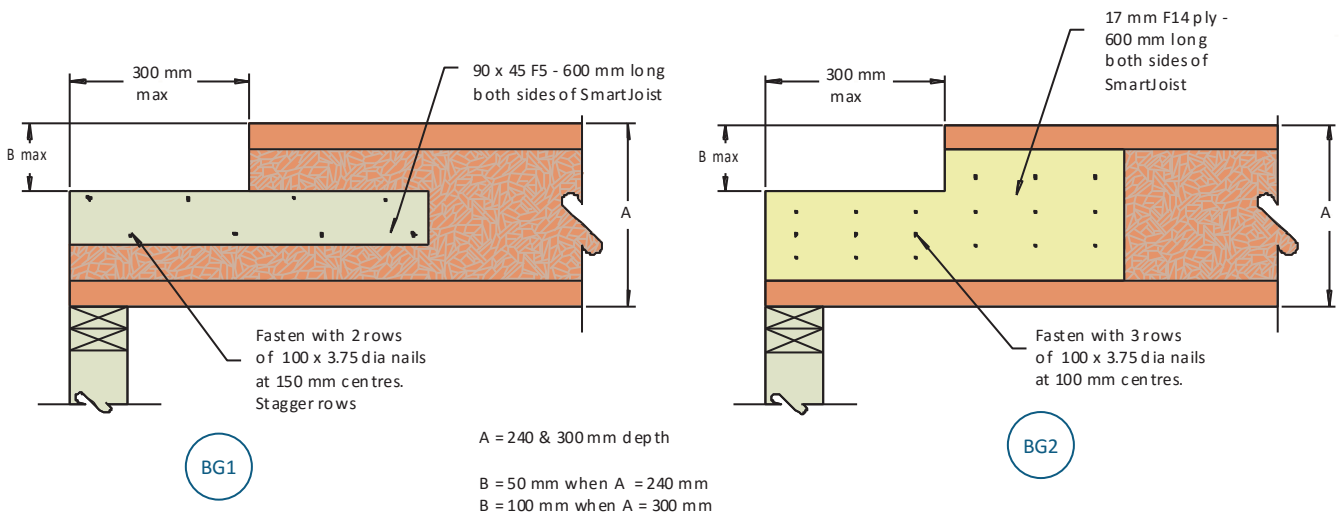
Box gutter details

Rebates for box gutters are permissible within a roof constructed with SmartJoist rafters to the MAXIMUM rebate limits as shown below.

- Fig BG1 with 2 pieces of 90 x 45 nailed to the web reduces shear capacity by 40%
- Fig BG2 with 2 pieces of 17 mm F14 ply nailed to the web maintains full shear capacity

Given that the design shear values at the end of rafters with lightweight roofs are usually very low compared to the allowable shear, in most instances figure BG1 is satisfactory to provide a box gutter rebate within the SmartJoist rafters, however the remaining shear capacity MUST be checked.

It is recommended that designers wishing to cut box gutter rebates in SmartJoist rafter contact the Tech Support Customer Helpline on 1300 668 690 or at techsupport@tiling.com.au for further advice on this issue.



Building envelope watertightness - decks

Deck ledger attachments

Many houses have decks attached to them. They are usually attached by first installing a deck ledger to the side of a house. The ledger carries the load for one end of the floor joists of the deck. The ledger and its attachment points penetrate the exterior cladding and must be flashed to protect the wall from rain water running down the cladding.

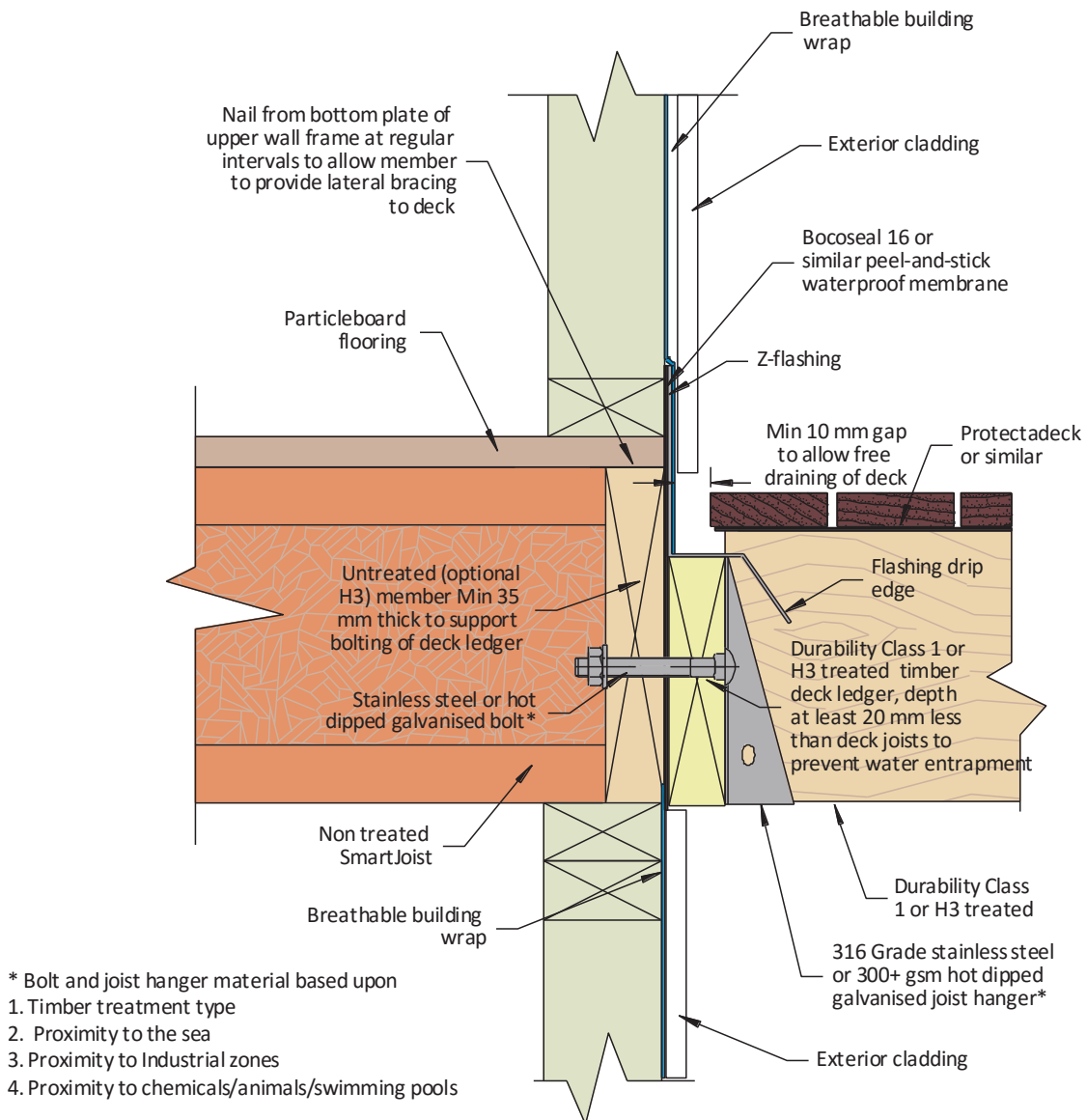
This area of the wall experiences more rain exposure than most others because rain hitting the deck next to the wall splashes against the wall. "Free-standing" decks avoid this problem because they do not penetrate the cladding envelope.

As with window and door installations in walls, paying careful attention to flashing details is critical to avoid potential rot and mould of inner non treated wall frames and floor systems. Water from direct rainfall, splash from decks and runoff from incorrectly sloped deck surfaces can leak into the exterior wall where the deck attaches to the house.

Several conditions contribute to the water problem:

- The ledger board is simply attached to the house with numerous lag screws or other hardware that penetrate the wall's cladding and drainage plane, but no flashing has been installed to protect these areas
- Water is often trapped behind the ledger board
- Upward splashing of rain from the deck adds significant wetting to the cladding, and inadequate flashing results in wetting and rot in the wall's framing and other internal elements.
- Integrating the attachment of the ledger board with the drainage plane behind the wall's cladding and adding proper flashing will maintain the integrity of the drainage plane and channel water away from the wall's surface.

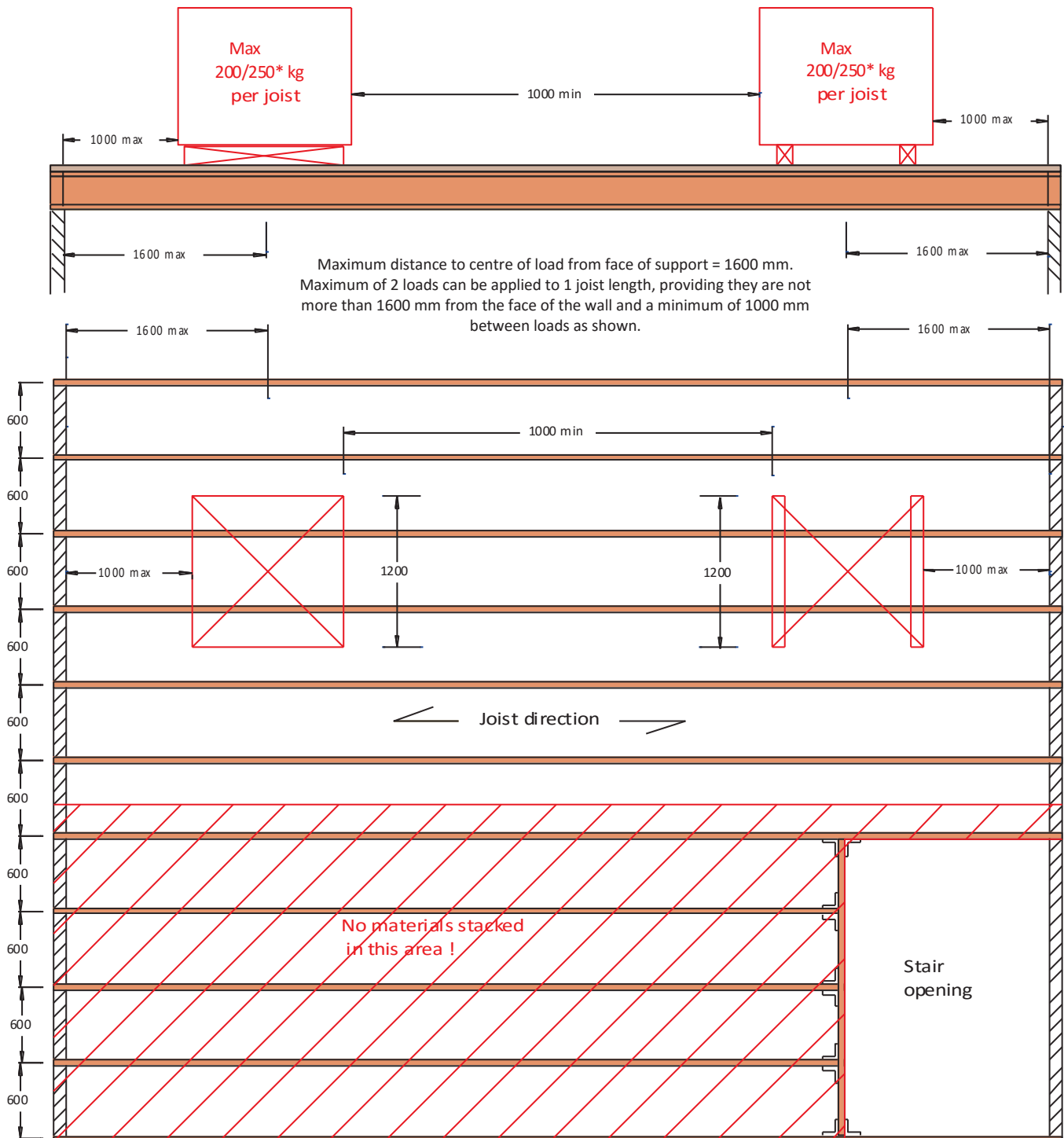
Example flashing of deck ledger connection to un-treated house frame



Safe loading of materials on a SmartJoist working platform

IMPORTANT!! Joists must be fully braced or have floor sheeting installed before applying any of the following loads.

- * 200 kg per joist for joists less than 240 mm deep
- * 250 kg per joist for joists 240 mm and greater



Notes:

1. Deflection limit is taken as span/200
2. All timber must be kept dry when applying maximum temporary loading
3. Loads are to be spread equally over a minimum of 2 joists, using timber bearers at a minimum of 1200 mm in length or a standard 1200 x 1200 pallet
4. NO loads are to be stacked over any part of the lengths of the joists fixed to an opening header or trimmer joist such as a stair trimmer
5. If no plasterboard is in place under the joists, the bottom flange requires temporary bracing
6. Joists on hangers may require propping
7. If unsure about stacking concentrated loads on SmartJoist working platforms, please contact the SmartFrame Design Centre on 1300 668 690.

Fire safety and sound transmission

Fire safety

The Building code of Australia became a performance-based code in 1996 (BCA96). The introduction of the BCA along with the changes to AS 1530.4 has seen Australia brought into line with international standards for fire resistance testing. The principle modification has been to express the test result in terms of the performance of the specimen Fire Resistance Level (FRL) rather than to assign a single rating as had been the established practice. The outcome of the test is expressed as the number of minutes for which the specimen fulfils the requirements of each of the three criteria, being:

- i. Structural adequacy
- ii. Integrity; and
- iii. Insulation, and expressed in that order

The performance of a specimen is then given as the actual time for which the specimen satisfied these criteria, but rounded down to the nearest regulatory requirements. E.g. 60/60/60.

Ceiling systems may also be required to provide "Resistance to the Incipient Spread of fire" for a given period of time. This requires the ceiling system to prevent the spread of fire within a roof/ceiling or floor/ceiling cavity by providing adequate thermal insulation to combustibles in this area, avoiding the danger of them igniting. To coincide with the changes, the FWPA produced a set of Wood Solutions manuals "*Design and construction guide for BCA compliant fire-rated construction*" which outlined the BCA requirements for all classes of buildings, design criteria and construction details which were designed to satisfy the BCA requirements.

Fire rated floors/ceilings

The best information available at this time concludes that the fire resistance for ceiling and floor/ceilings is achieved by the lining material and that alternative joist sizes and material can be substituted in the various certified systems, providing they are designed to support the full loads. The thickness of the fire grade ceiling lining for the relevant FRL is the same as required in the tested systems using solid timber joists.

Additional testing have concluded that the following layers of fire rated plasterboard can achieve the FRL and incipient spread of fire as listed in the following table:

The above ratings can be achieved using standard fire grade plas-

Fire grade plasterboard	FRL	Incipient spread of fire
1 x 13 mm	30/30/30	0
1 x 16 mm	60/60/60	30
2 x 13 mm	60/60/60	30
2 x 16 mm	90/90/90	60
3 x 16 mm	120/120/120	60

terboard from some sheet manufacturers. Other manufacturers may however require the use of special fire rated board or may still require the number of layers outlined in the Wood Solutions Design and construction guide for BCA compliant fire-rated construction.

For further details on the various certified systems, see the Wood Solution website www.woodsolutions.com.au or contact the engineers on the Tech Support Customer Helpline on 1300 668 690.

Sound transmission

The ability of walls and floors to reduce noise is measured over the most important part of the hearing range (from 125 to 4000 cycles per second), and the results reduced to a "weighted sound reduction index" or R_w value. In 2004, the BCA introduced the addition of a Spectrum Adaption factor. This C_{tr} factor takes into account lower frequency level sounds, and has been chosen in large part, in recognition of the problem of the high bass frequency outputs of modern home theatre systems and amplified music systems. Therefore, both the C_{tr} and the R_w of the building element will now need to be considered.

In addition to being rated for airborne sound transmission, floors are also rated by "Impact sound pressure level" or $L'_{n,w}$ plus the spectrum adaption factor C_i values that rate the capacity of floor assemblies to control impact noise such as footfalls. The lower the $L'_{n,w} + C_i$ of the floor, the better the performance of the floor in terms of impact sound insulation

The BCA now requires a $R_w + C_{tr}$ of 50 in floors between sole occupancy units and between dwellings and a plant room, lift shaft, stairway, public corridor, public lobby or similar.

In 2004, the BCA introduced Deemed-to-satisfy provisions which require the $L'_{n,w} + C_i$ of a floor to be determined by testing in the laboratory. The impact sound insulation requirements for floors in the BCA is $L'_{n,w} + C_i$ not more than 62 for floor separating dwellings and floor separating dwellings from a plant room, lift shaft, stairway, public corridor, public lobby or similar.

The use of light-frame construction systems challenges designers to insulate against noise rather than simply relying on the massiveness of heavy walls and floors. Excellent levels of noise control can be achieved with good acoustics in wood framed structures surfaced with wood structural panels. Sound control can be achieved by applying floor and wall materials over isolated air spaces that absorb sound. The addition of resilient channels to support the ceiling system independently increases the $R_w + C_{tr}$ and $L'_{n,w} + C_i$ ratings.

The best current understanding indicates that the systems – walls, floors and ceiling" as detailed in the Wood Solutions manuals "*Design and construction guide for BCA compliant fire-rated construction*" can be used to closely approximate the $R_w + C_{tr}$ and $L'_{n,w} + C_i$ rating of floor/ceiling systems with SmartJoist floor joists. Work is under way to further investigate the link between joist types and impact sound insulation.

For further details on the various certified systems see www.woodsolutions.com.au or contact the engineers on the Tech Support Customer Helpline on 1300 668 690 or at techsupport@tilling.com.au

SmartGuard® preservative treatment

The treatment of timber to extend its service life is covered by AS/NZS 1604. This code identifies the various biological hazards by a hazard class number, with hazard class numbers from H1 - H6. The higher the hazard class number, the greater the severity of the biological hazard. A complete table listing the 6 hazard classes is contained within AS/NZS 1604.1.

All SmartJoists are supplied H2s treated per the table below, or alternatively may be after-market LOSP SmartGuard H2 treated by an experienced and approved timber preserver.

Water borne treatments are NOT suitable for SmartJoists. It is also NOT recommended that SmartJoists be specified for use outside above ground, even if H3 treated. This is predominately due to the geometric shape of the I-Joist which will not shed water effectively.

Further information on SmartGuard treated I-Joists can be obtained on 1300 668 690 or at techsupport@tilling.com.au

Hazard Class	Exposure	Specific service conditions	Biological hazard	Typical uses
H1*	inside, above ground	Completely protected from the weather and well ventilated, and protected from termites	Lyctid borers	Interior beams, stair cases, stringers
H2s	inside, above ground	South of the Tropic of Capricorn ONLY Protected from weather, Nil leaching	Borers and termites	Interior joists, rafters and roof beams
H2	inside, above ground	Protected from weather, Nil leaching	Borers and termites	Interior joists, rafters and roof beams

* All SmartJoists are manufactured from materials not susceptible to Lyctid attack

Adhesive and formaldehyde emission facts sheet

Q. Are the glues used in SmartFrame Engineered Wood Products safe?

A. Yes, they are safe, Phenolic resins used in our Engineered Wood Products are stable, polymerised materials. The polymerisation reaction is non-reversible (i.e. once the polymer is formed, it doesn't break down). A wood dust warning label is provided for all SmartFrame wood products to alert our customers that wood dust can be generated by sawing, sanding, or machining wood and wood products.

Q. What is the level of formaldehyde emission from our phenolic-bonded Engineered Wood Products?

A. Independent third party testing has confirmed that formaldehyde emissions from our phenolic-bonded products (i.e. OSB, LVL, and I-Joists) are below 0.5 mg/L under reasonably foreseeable conditions of use, which meets or exceeds the E₀ Formaldehyde Emission Class

In short, all available information indicates that formaldehyde levels associated with phenolic resin-bonded wood products are similar to those of the dimension lumber veneer or other forms of wood used to make the products.

Q. How much formaldehyde is in our phenolic-bonded, Engineered Wood Products?

A. The amount of formaldehyde in our Engineered Wood Products is less than 0.1 percent of the dry weight.

Q. What is being done to reduce the exposure to formaldehyde?

A. Formaldehyde is normally present at low levels, usually lower than 0.03 ppm, in both outdoor and indoor air. Efforts have been made by both government and industry to reduce exposure to formaldehyde. A 1985 regulation by the US Department of Housing and Urban Development (HUD), covering the use of manufactured pressed wood products in housing was designed to ensure that indoor levels were below 0.4 ppm. Product standards established for plywood and particleboard led to significant reductions in formaldehyde emissions from those products. Furthermore, HUD acknowledged that phenolic resin bonded wood products emitted such small quantities of formaldehyde that these products were exempted from all the testing and certification requirements of the standards. In Germany, the German Hazardous Materials regulation, better known as the "E1" Standard, sets a limit of 1.0 mg/L for formaldehyde emissions from some wood-based composite products. All available data indicates that our phenolic bonded Engineered Wood Products meet the more stringent E₀ level.

Q. What affects formaldehyde levels in a home?

A. Formaldehyde levels in the indoor air depend mainly on what is releasing the formaldehyde, the temperature, the humidity, and the air exchange rate (i.e. the amount of outdoor air entering or leaving the indoor area) Levels of formaldehyde decrease with increasing air exchange rate, decreasing temperature, and decreasing humidity.



SMARTFRAME DESIGN COMPENDIUM

Design Compendium Contents

Specification Software

- Technical Support

Design Guides (pdf)

Technical Illustrations (dxf/dwg for CAD)

Fixing Details - fixing details/hangers (jpg)

Video Clips - installation/company (mpg)

Software Tutorial

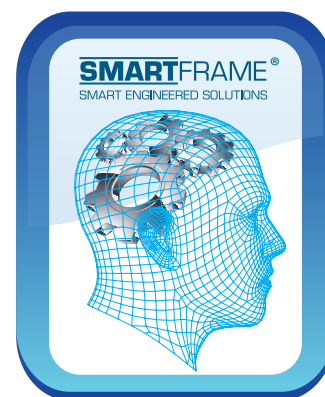
Interactive



Printable



PC



Never before has so much user friendly computer power been unleashed into the hands of building industry professionals to allow the design and detailing of engineered timber products. This software, in conjunction with the SmartFrame Design Centre and SmartFrame engineered timber products themselves, combines to form the most sophisticated structural timber option ever available to the Australian market. The SmartFrame Engineered Timber Solution represents an entirely new and revolutionary concept in the delivery of 21st century technology and service to the building industry.

Available From:

Head Office

Victoria
31-45 Orchard Street,
Kilsyth, Victoria 3137

email: sales@tilling.com.au

Phone +61 3 9725 0222
Fax +61 3 9725 3045

New South Wales
109 Kurrajong Avenue,
Mt Druitt, NSW 2770

email: nswsales@tilling.com.au

Phone +61 2 9677 2600
Fax +61 2 9677 2500

Queensland
20-24 Nealdon Drive,
Meadowbrook, QLD, 4131

email: qldsales@tilling.com.au

Phone +61 7 3440 5400
Fax +61 7 3440 5444

Western Australia
10 Cartwright Drive,
Forrestdale, WA 6112

email: wasales@tilling.com.au

Phone +61 8 9399 1609
Fax +61 8 9399 1065

South Australia
5-9 Woomera Avenue,
Edinburgh, SA 5111

email: sasales@tilling.com.au

Phone +61 8 8345 1966
Fax +61 8 8345 1977



www.tilling.com.au

Proudly Australian Owned

