

S04

The S04 system is ideal for keeping your business safe because of its strength and functionality.

Why should I choose the S04 for my business?

- **Flexibility**

There are S04 steel expanding grilles to fit any size openings. All S04 grilles are up to two and a half metres high, and can lock either left or right.

S04 grilles can be fitted to the inside or outside of existing doors and using adjustable posts at intervals for support means you don't need top supports or tracks.

- **Unobtrusive**

The S04 folds up to only 15 % of its open size, and folds neatly out of the way when not in use. (Unique hinge aside pivoting facility). The S04 does not require a floor track so your customers will not be obstructed.

- **Cover Large Openings**

The S04 grilles will be made to any width by joining various sized grilles together. These can be self-supported (no floor or ceiling track) or hung from a ceiling track. Adjustable posts are available for supporting large S04 grilles when only half the opening is required to be secured.

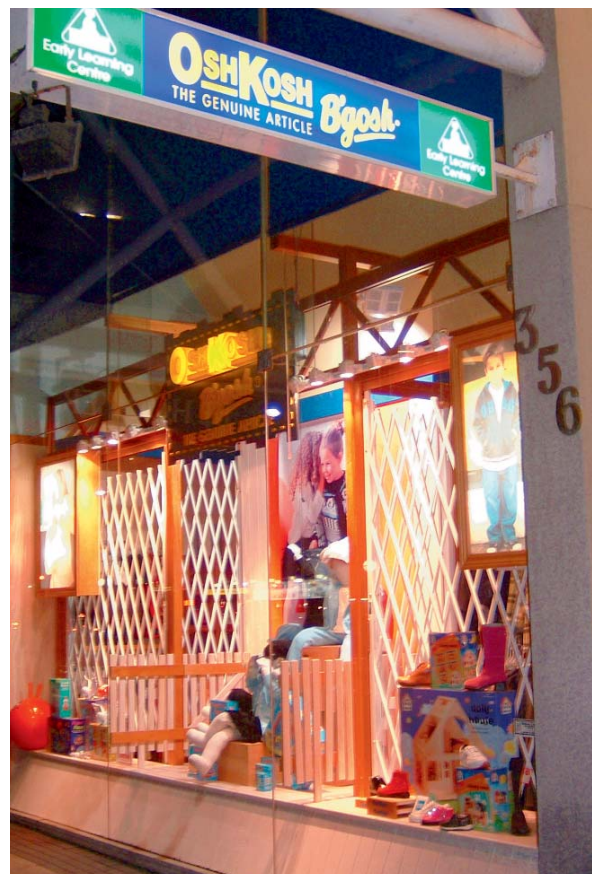
- **Long Lasting**

The S04 grille has been treated, epoxy powdercoated and galvanised against corrosion.

- **Unique Hinge Aside Pivoting Facility**



Double Diamond Door with Snib Turn Egress



S04 Expanding Security System

Technical Specifications

Materials of Construction

The expanding security system comprises an expanding steel diamond pattern trellis.

A top suspension track is optional and comprises a 45mm x 32mm channel section.

The expanding trellis consists of square steel sections which are rigidly connected by means of high tensile rivets. The linkages are all high grade steel square channels.

A unique hinge aside facility enables the trellis system to pivot back flat against side walls so as to occupy a negligible amount of side space, alternatively, the door folds to only 15% of its open size and folds neatly out of the way when not in use.

The rivets are used in a non-pivoting function to minimise wear and tear and maximise life and strength.

Locks

The locking mechanism comprises a security slam lock with high grade double hooks and locating pins for added strength and security.

The doors can lock left, right or centre.

Colour Range

The doors are available in 2 standard exterior quality epoxy powder coatings. Individual colour schemes can be matched to suit almost any environment.

Channel sections are epoxy coated and galvanised against corrosion. The steel sections are finished in a high gloss resistant baked epoxy powder coat.

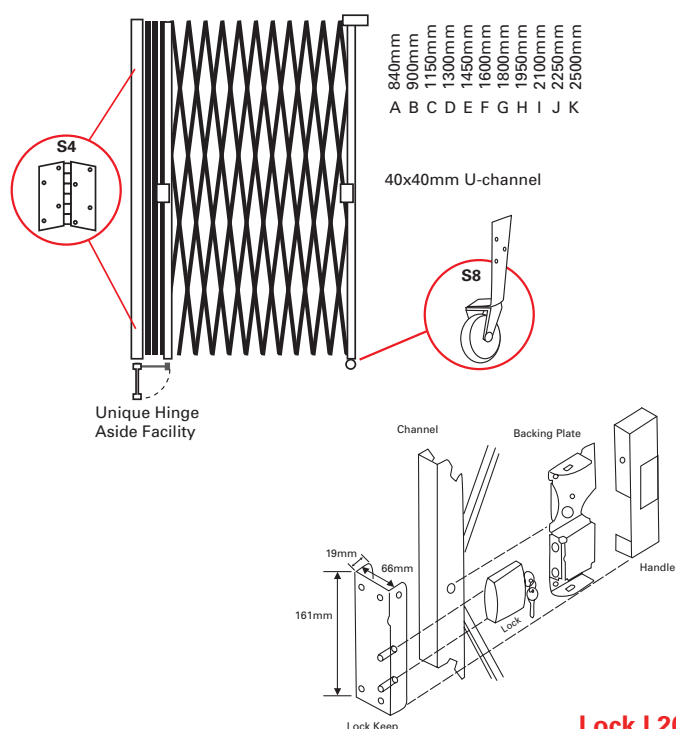
Warranty

A 12 month warranty against defective materials and workmanship applies.

Fitting

The doors are custom made to exact measurements, and can be made to any width by joining the various sizes together.

The doors can be fitted in the reveal, or the face-on position.



Lock L205

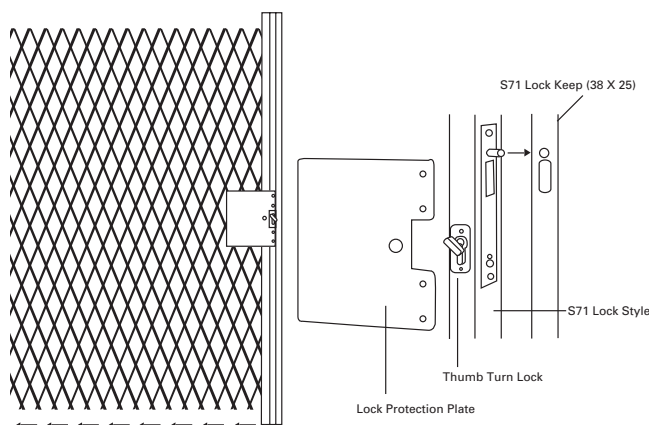
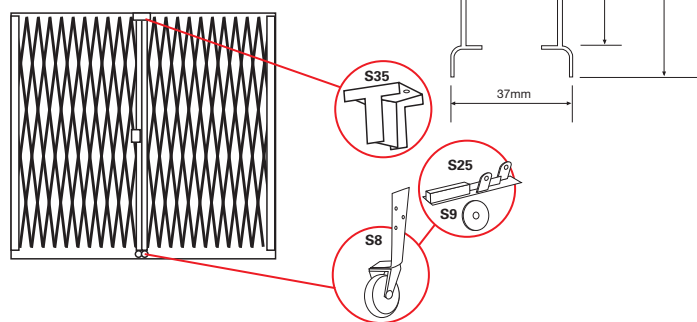
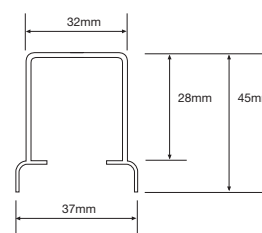
STACK SIZES

Single Sash		Double Sash	
Door Width	Stack Width	Door Width	Stack Width
320 - 430	115	555 - 780	115 + 115
435 - 550	130	785 - 1015	130 + 130
555 - 665	145	1020 - 1250	145 + 145
670 - 780	160	1255 - 1480	160 + 160
785 - 930	175	1485 - 1715	175 + 175
935 - 1015	190	1720 - 1950	190 + 190
1020 - 1130	205	1955 - 2180	205 + 205
1135 - 1250	220	2185 - 2415	220 + 220
1255 - 1365	240	2420 - 2550	240 + 240
1370 - 1480	255	2655 - 2880	255 + 255
1485 - 1600	270	2885 - 3115	270 + 270
1605 - 1715	285	3120 - 3350	285 + 285
1720 - 1830	300	3355 - 3580	300 + 300
1835 - 1950	315	3585 - 3815	315 + 315
1955 - 2065	330	3820 - 4050	330 + 330
2070 - 2180	345	4055 - 4280	345 + 345
2185 - 2300	360	4305 - 4530	360 + 360
2305 - 2415	375	4535 - 4765	375 + 375
2420 - 2530	390	4770 - 5000	395 + 395

LARGER SIZES AVAILABLE

Locking two doors in the centre without a post is done when centre locking doors need to be secured and tracks are not required or insufficient space is available. With the Ref S35 T bracket at the top and Ref S25 Shoot Bolt at the bottom the doors are secured in the centre.

Top Track Profile



Double Diamond Door and Lock
Snib Turn Egress Key Turn Access



Ph: (02) 9519 0844