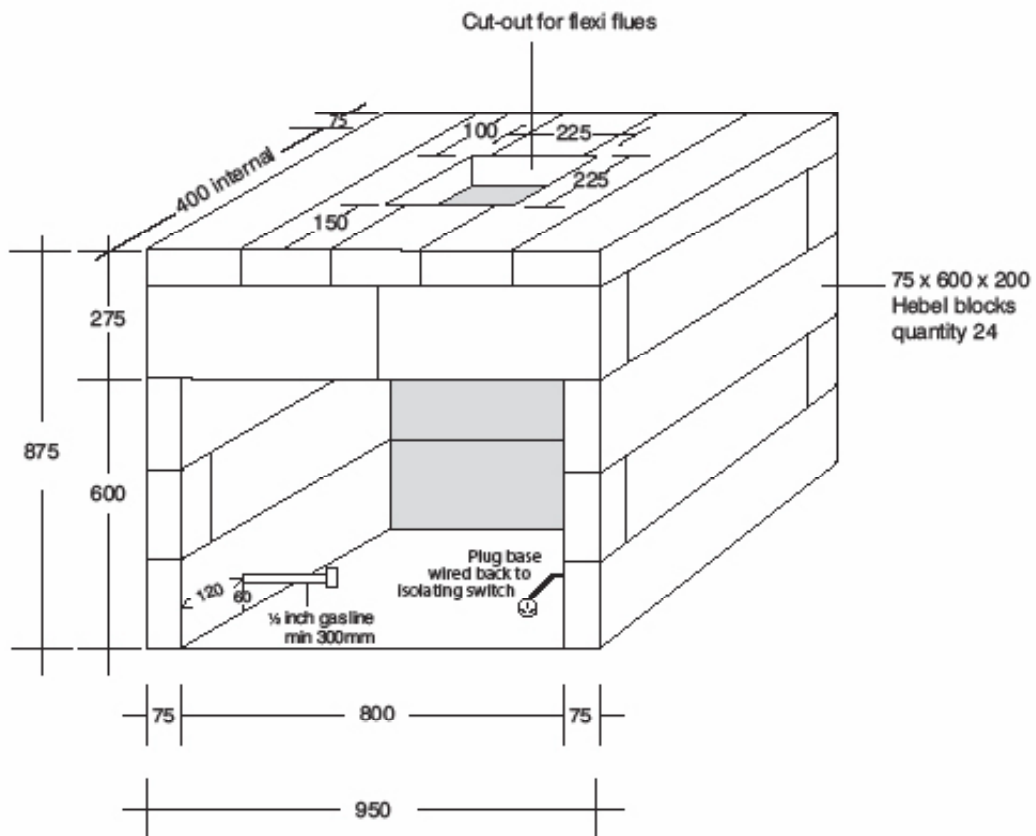


I30

AU Installation Specifications for I30-SUPREME and I30-COSMO (Australian Models)

HEBEL SPECS

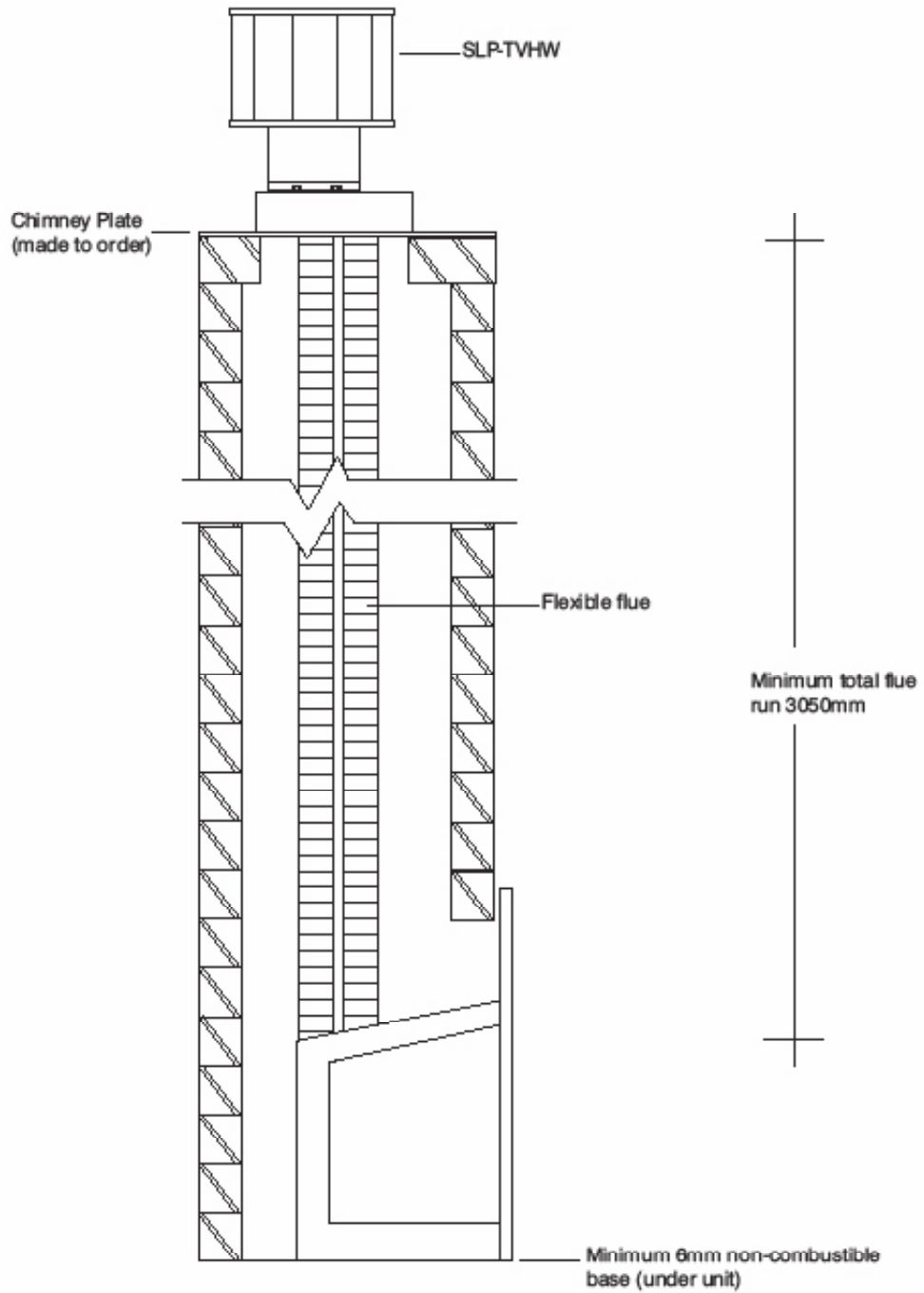


Note: Unit base to have min 6mm non-combustible base.

: If using standard front box depth can be reduced to 360mm internal.

AU Installation Specifications for I30-SUPREME and I30-COSMO (Australian Models)

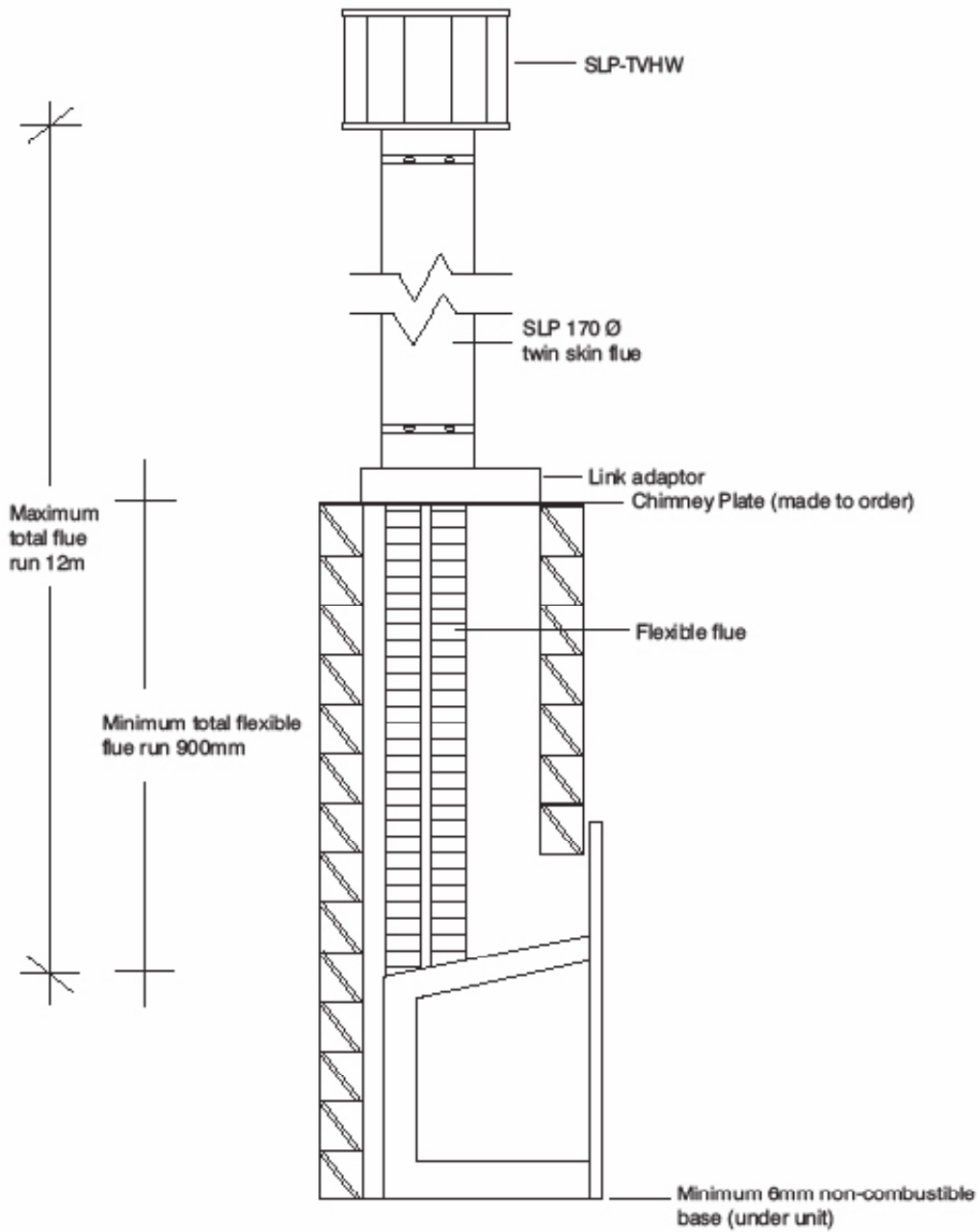
FULL BRICK (MASONRY) CHIMNEY



SECTION

AU Installation Specifications for I30-SUPREME and I30-COSMO (Australian Models)

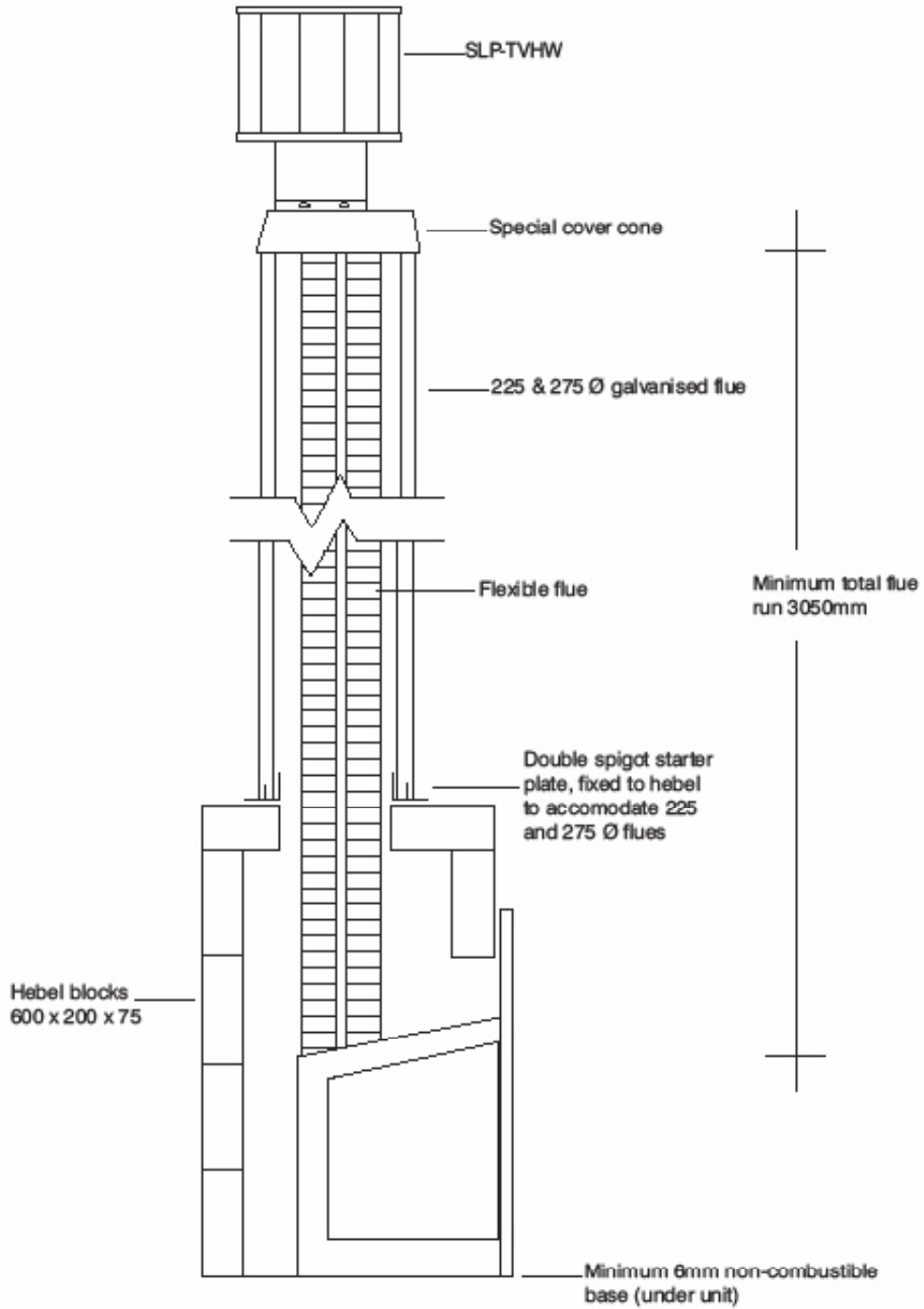
CUT-OFF BRICK CHIMNEY



SECTION

AU Installation Specifications for I30-SUPREME and I30-COSMO (Australian Models)

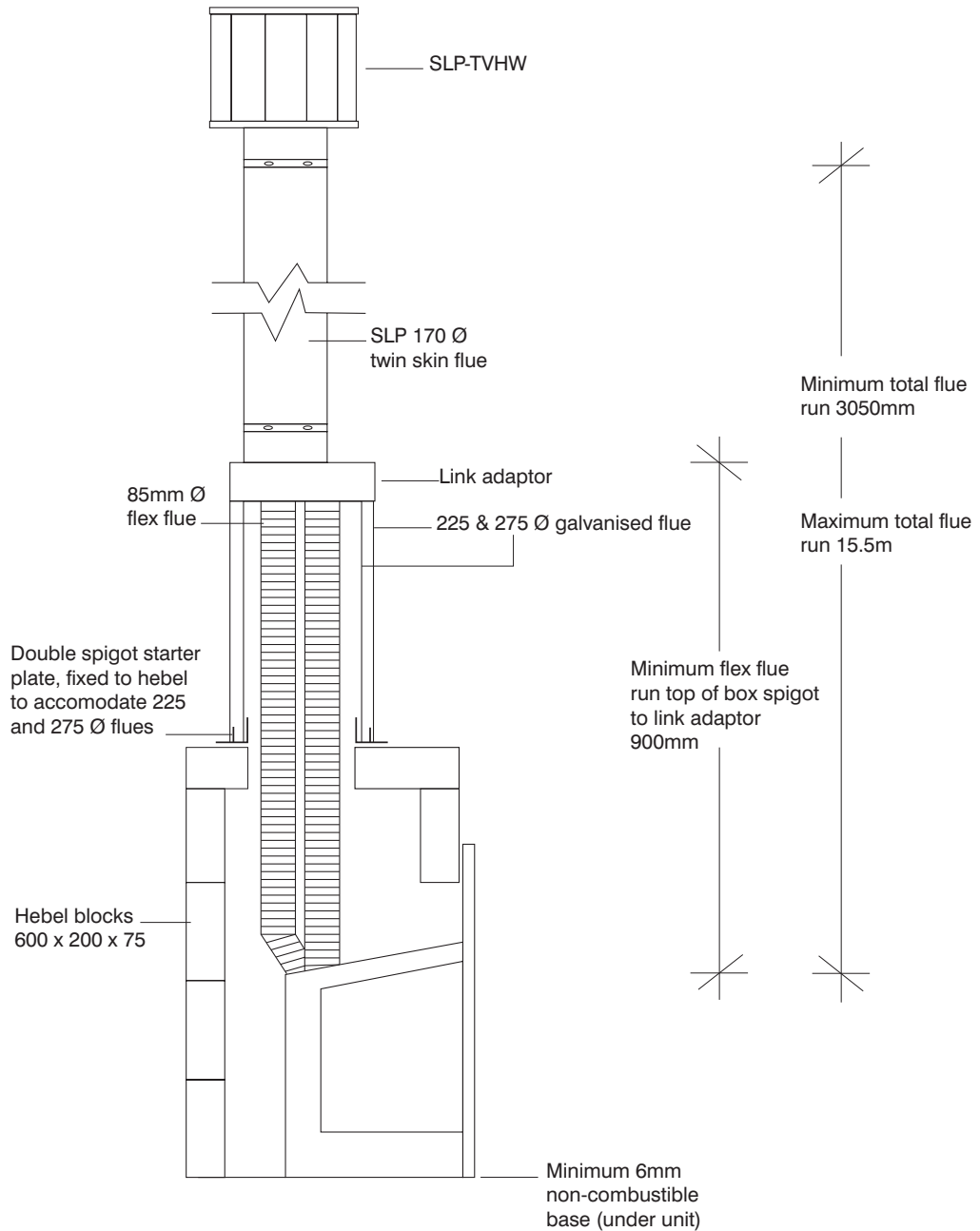
FLEXIBLE IN GAL TWIN SKIN



SECTION

AU Installation Specifications for I30-SUPREME and I30-COSMO (Australian Models)

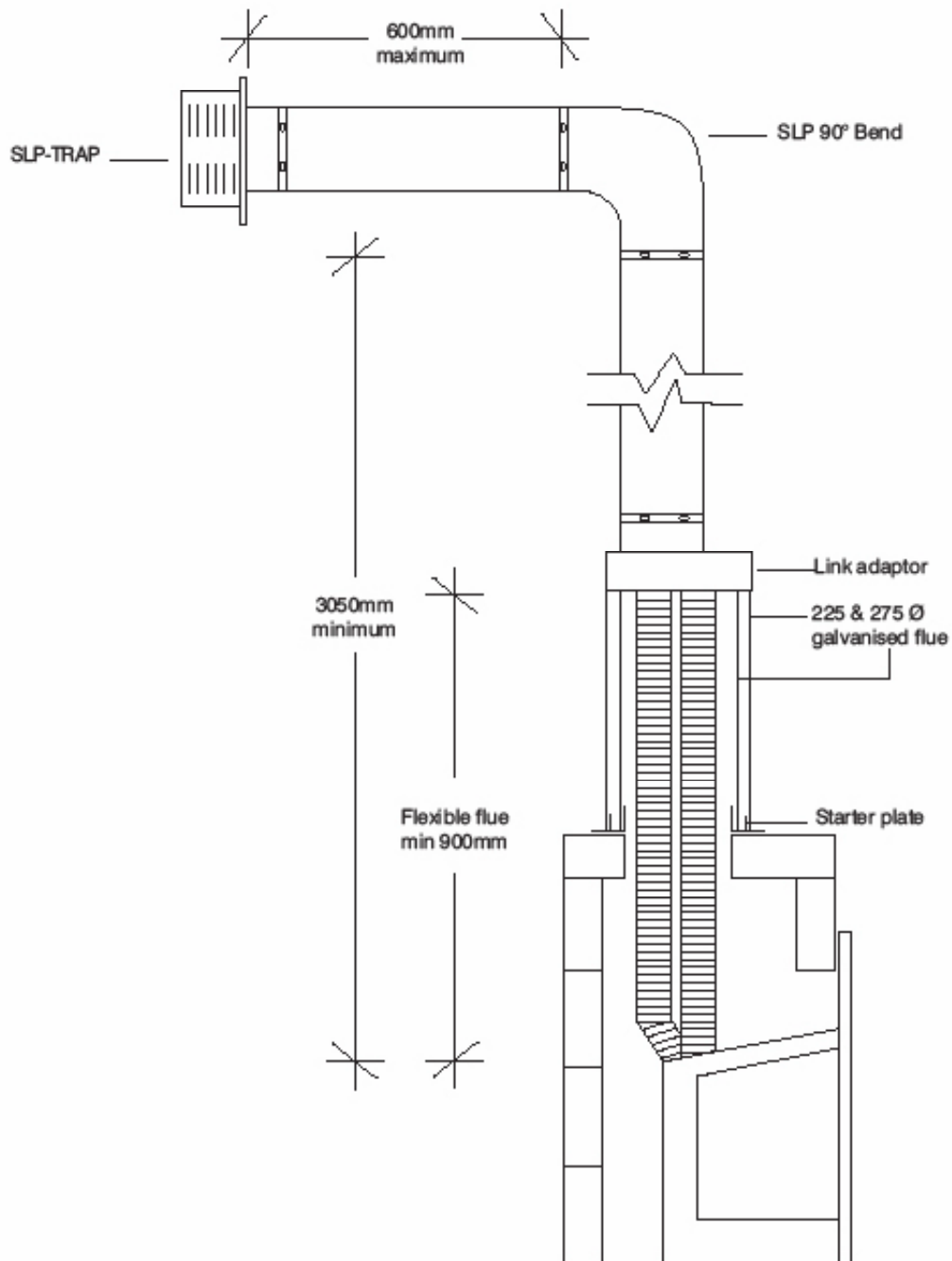
FLEXIBLE TO SLP FLUE



SECTION

AU Installation Specifications for I30-SUPREME and I30-COSMO (Australian Models)

HORIZONTAL TERMINATION



AU Installation Specifications for I30-SUPREME and I30-COSMO (Australian Models)

FLUE STARTER PLATE

