

# Innova Fibre Cement Product Guide







Our distribution network ensures that our entire product range is readily available in all states of Australia and in New Zealand.



# Contents



- 6 // CASE STUDY RESIDENTIAL
- 7 // CASE STUDY COMMERCIAL

## **INNOVA™**

- 8 // DURAGRID™
- 9 // DURACOM™
- 10-11 // DURAGROOVE™
- 12 // DURASCAPE™
- 13 // NULINE™ PLUS
- 14-15 // STRATUM™
- 16 // STONESHEET™
- 17 // INTERGROOVE™
- 18-20 // INNOVA™ ACCESSORIES FINISH ON SITE
- 21-31 // MONTAGE™
- 31 // INNOVA™ ACCESSORIES PRE-FINISHED 32 // DURAFLOOR™

## **INNOVA FIBRE CEMENT**

- 33 // COMPRESSED FLOORING
- 34 // CERAMIC TILE UNDERLAY
- 35 // DURASHEET™
- 36 // DURAPLANK™
- 37 // DURATEX™
- 38 // DURALINER™ PLUS
- 39 // DURALUX™ PLUS
- 40 // WARRANTY
- 40 // TERMS AND CONDITIONS



# Specify Fibre Cement facade systems with confidence

[innovafibreceement.com.au](http://innovafibreceement.com.au) / ire-resistant







## Innova™ deemed to comply external facade systems.

- / Compressed fibre cement range
- / Architectural designed weatherboard range
- / Grooved and profiled cladding range

Innova's products have superior fire performance against four key indices.



**Ignition index = 0**

*Fibre cement does not ignite*



**Spread of flame index = 0**

*There is no spread of fire with fibre cement*



**Heat evolved index = 0**

*Heat does not evolve from fibre cement*



**Smoke developed index = 0-1**

*Smoke is not emitted from fibre cement*



Up to **BAL 40**  
as per AS3959:2018

Tested in Australia by accredited Australian authorities **CSIRO** and **Exova Warrington**



# Case Study 01.

## Residential

**Project:** Pridue & Hall  
**Location:** Box Hill, NSW  
**Client:** Kastelan Designer Homes  
**Products used:** Montage™ Wood Grain in Black Oak / Montage™ Concrete in Smooth Plain- Horizontal / Montage™ Stackstone in Limestone

**Pridue & Hall is a 3 bedroom, two-storey house with a unique design in collaboration with the client and the builder.** The client envisioned earthy colours and textures throughout. The 3 different Montage™ products have created a created the perfect solution- a unique and sleek façade.



# Case Study 02.

## Commercial

Project: Westfield Shopping Centre  
Location: Carousel, Western Australia  
Architect: Scentre Group  
Contractor: Denmac  
Products used: Duracom™ / Duralux™

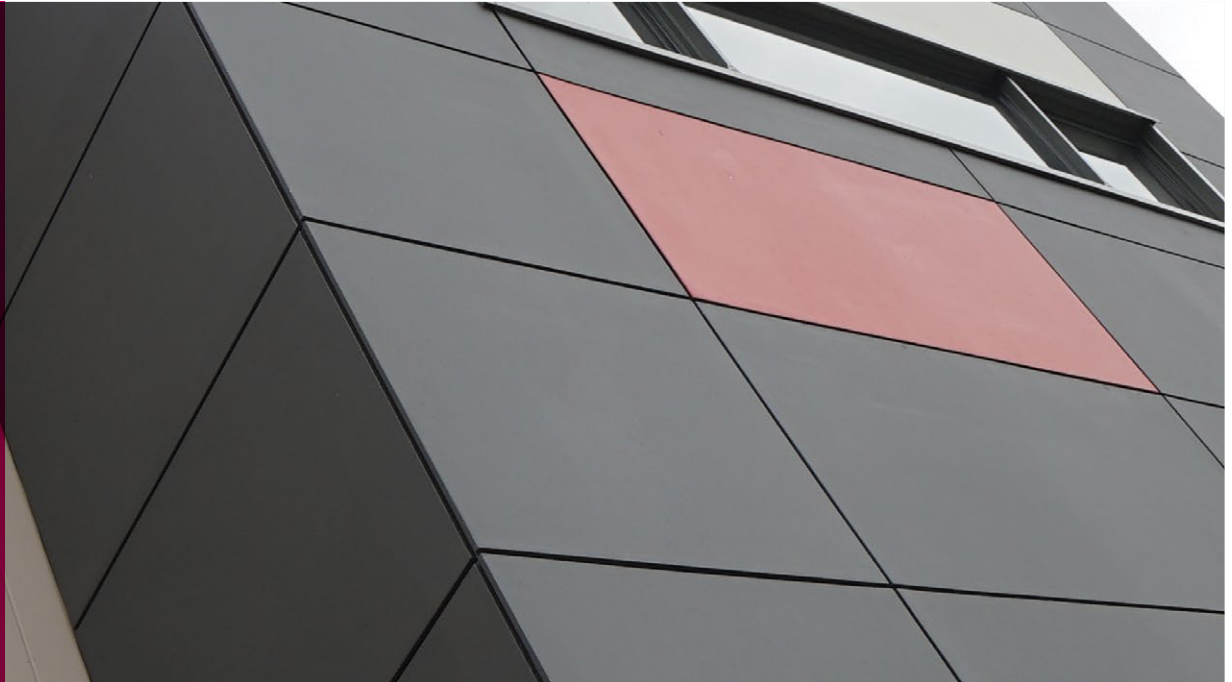
Innova supplied a variety of fibre cement products to the new extension to the Westfield Carousel Shopping Centre. Duracom™ was used by Denmac who were contracted to install the external cladding. Duralux™ was also used as soffit lining, which was installed by EXZO. Innova products allowed both Denmac and EXZO to achieve a robust finish without sacrificing design objectives.

“Duracom™ is backed by a well established company which means the product is always available when we need it, which minimised site laydown”.

**Rob Innocent**  
Denmac







The Duragrid™ facade system utilises Innova Fibre Cement sheeting, offering the ideal solution for cladding the exterior of low to medium rise homes. Duragrid™ gives buildings a modern and extremely durable finish.

Duragrid™ sheeting has a smooth, flat surface and square-edge finish that is suitable for expressed jointing and provides a facade suitable for a number of finishes; from painted to textured coatings.

- / Lightweight
- / Highly durable
- / Panels will not rot, burn or corrode
- / Panels are not affected by termites, air, steam, salt or sunlight
- / Can be easily decorated in a number of design finishes
- / Quick and simple to install using manual nailing, gun nailing or screw fixing

THICKNESS mm	WEIGHT kg/m <sup>2</sup>	WIDTH mm	LENGTH mm				PACK SIZE
			1190	1790	2390	2990	
9	13.4	590			✓		40
		890		✓			40
		1190	✓			✓	40

Accessories

PRODUCT	LENGTH mm	CODE
Durabatten Ply H5 Treated	19 x 75 x 2700	492
Durabatten - Steel	19 x 70 x 3000	495
	35 x 70 x 3000	496
Horizontal Backing Strip	1190	839
	2390	841
	2990	843
Cavity Vent strip	2700	481
SIKA FC11 Sealant	300ml	485
	600ml	486
Countersinking Tool		855

[innovafibreceement.com.au/duragrid](http://innovafibreceement.com.au/duragrid)  
Some sizes may not be available in all states,  
please check with your local Innova office for availability.







INNOVA™ FINISH ON SITE

With its smooth, flat surface and square-edge finish, Duracom™ facade system is ideal for the exterior cladding of low to medium rise buildings. Utilising Innova's trusted fibre cement coated compressed sheeting, Duracom™ delivers a strikingly modern, durable finish.

Lightweight yet exceptionally resilient, Duracom™ facade system is perfect for expressed jointing and a variety of finishes; from painted to textured coatings.

- / Weather-resistant – simply shrugs off water. Rated for weatherability by CSIRO
- / Fully-sealed, balanced panels won't rot, burn or corrode
- / Allows easy decoration in a range of design finishes
- / Rapid installation
- / Complies with BAL40 as required in AS3959:2018 – construction of buildings in bushfire-prone areas

THICKNESS mm	WEIGHT kg/m <sup>2</sup>	WIDTH mm	LENGTH mm				PACK SIZE
			1800	2400	2700	3000	
9	14.6	900	✓	✓			40
		1200	✓	✓	✓	✓	40
12	19.5	1200		✓		✓	30

#### Accessories

PRODUCT	LENGTH mm	CODE
Primary Top Hat - Galvanised Steel	120 x 35 x 1.15 BMT-6000	831
	120 x 35 x 1.15 BMT-7200	833
Intermediate Top Hat - Galvanised Steel	50 x 35 x 1.15 BMT-6000	835
	50 x 35 x 1.15 BMT-7200	837
Horizontal Backing Strip	1190	839
	2390	841
	2990	842
EPDM Foam Gasket	25000	845
Weather Seal Washer		DCA-WSEAL
Wafer Head Screw	10 x 30	GSA-SCREW3010

[innovafibreceement.com.au/duracom](http://innovafibreceement.com.au/duracom)

Some sizes may not be available in all states, please check with your local Innova office for availability.







For up-to-the-minute exteriors or interiors, choose Duragroove™ cladding. A peerlessly adaptable, vertically-grooved panel available in different profiles and spacing, Duragroove™ has a shiplap joint to ease and speed your installation.

Specify Duragroove™ for single-storey and medium-height projects. Duragroove™ comes in four variants:

- / Smooth Narrow 100mm
- / Smooth Wide 150mm
- / Smooth Extra Wide 400mm
- / Woodgrain Wide 150mm

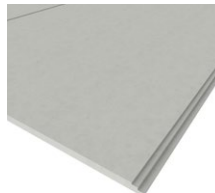
- / Vertical grooves – excitingly contemporary alternative to traditional weatherboard
- / Lightweight and durable
- / Acrylic sealed panels aid paint application
- / Quick to install – no need for taped and filled joints
- / Panels resistant to termites, air, steam, salt and sunlight



Smooth Narrow  
100mm



Smooth Wide  
150mm



Smooth Extra Wide  
400mm



Woodgrain Wide  
150mm

[innovafibreceement.com.au/duragroove](http://innovafibreceement.com.au/duragroove)  
Some sizes may not be available in all states, please check with your local Innova office for availability.







THICKNESS mm	WEIGHT kg/m <sup>2</sup>	WIDTH mm	PROFILE	LENGTH mm			PACK SIZE
				2450	2750	3000	
9	13.5	1200	Smooth Narrow	✓	✓	✓	40
			Smooth Wide	✓	✓	✓	40
			Smooth Extra Wide	✓	✓	✓	40
			Woodgrain Wide	✓	✓	✓	40

#### Accessories

PRODUCT	LENGTH mm	CODE
Internal Corner	3000	INTCNR12
External Corner	3000	EXTCNR12
External Snap On Corner - Part A	3600	SNAPC NRA36
External Snap On Corner - Part B	3600	SNAPC NR B36
External Snap On Corner - Part C	3600	SNAPC NR C36
Horizontal Flashing	3000	HORIZ9
EPDM Foam Gasket	25000	845
Thermal Break Tape (may be required when installing on steel frame)	12500	THERMAROLL12.5

When ordering Snap on Corners, 2 parts must be ordered, Part A + Part B or Part B + Part C.





INNOVA™ FINISH ON SITE

Durascape™ is a 9mm-thick base sheet. Excellent for covering large areas; its 5mm wide shiplap joint gives the sheet a subtle vertical shadow line.

To create an appealingly ‘rendered’ look, try finishing Durascape™ onsite with a roll-on textured paint.

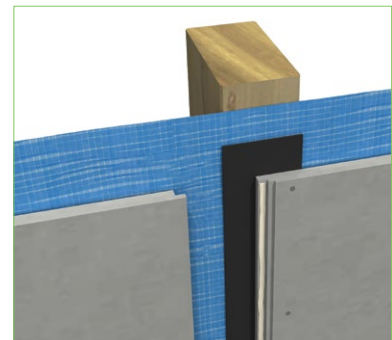
- / Lightweight and durable
- / Ideal for single-storey and medium-height installations where you want large panels
- / Quick installation – no need for taped and filled joints
- / Panels unaffected by termites, air, steam, salt and sunlight
- / Can be finished in a range of decorative coatings

THICKNESS mm	WEIGHT kg/m <sup>2</sup>	WIDTH mm	LENGTH mm		PACK SIZE
			2450	3000	
9	13.5	900	✓	✓	40
		1200	✓	✓	40

Accessories

PRODUCT	LENGTH mm	CODE
Internal Corner	3000	INTCNR12
External Corner	3000	EXTCNR12
External Snap On Corner - Part A	3600	SNAPCNR36
External Snap On Corner - Part B	3600	SNAPCNR36
External Snap On Corner - Part C	3600	SNAPCNR36
Horizontal Flashing	3000	HORIZ9
EPDM Foam Gasket	25000	845
Thermal Break Tape (may be required when installing on steel frame)	12500	THERMAROLL12.5

When ordering Snap on Corners, 2 parts must be ordered, Part A + Part B or Part B + Part C.



[innovafibrelement.com.au/durascape](http://innovafibrelement.com.au/durascape)  
Some sizes may not be available in all states,  
please check with your local Innova office for availability.





INNOVA™ FINISH ON SITE

Nuline™ Plus is a weatherboard-style cladding. With its perfect join and a seductive look that echoes real timber, Nuline™ Plus is the natural evolution of the ever-popular Nuline™ weatherboard.

The Nuline™ Plus tongue & groove fixing will deliver seamlessly consistent joins throughout your project. With its slight bevel on the rear of the plank allowing a 25mm bearing face on the stud, you'll find fixing and nailing exceptionally easy.

- / Extend your options with 2 different profiles: square and bullnose
- / Factory sealed, ready for painting
- / Quick, simple installation: manual nailing, Gun nailing or screw fixing
- / Highly durable: no rot or decay
- / Complies with BAL40 as required in AS3959:2018 construction of buildings in bushfire-prone areas

THICKNESS mm	WEIGHT kg/lm	WIDTH mm	PROFILE	LENGTH mm	PACK SIZE
				4200	
14	3.5	175	Square and Bullnose	✓	120
	4.1	205	Square and Bullnose	✓	120

Accessories

PRODUCT	LENGTH mm	CODE
Internal Corner	3000	INTCNR36
External Corner	3000	EXTCNR36
J Mould	2700	805
Starter Strip	2700	825
Thermal Break Tape (may be required when installing on steel frame)	12500	THERMAROLL12.5



Square



Bullnose

[innovafibreceement.com.au/nuline-plus](http://innovafibreceement.com.au/nuline-plus)  
Some sizes may not be available in all states, please check with your local Innova office for availability.



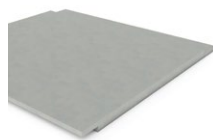




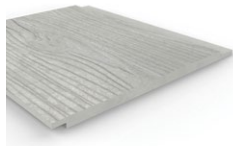
A vibrant, innovative alternative to traditional weatherboards, Stratum™ is an endlessly adaptable range of weatherboard products.

Stratum™ is among the best-selling products in the Innova range. Choose one profile as a standalone, or mix-‘n’-match to create an eye-catching and original exterior cladding system.

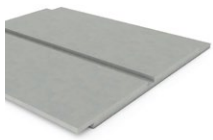
- Stratum™ 300mm is a wide plank with a 16mm horizontal joint;
- Stratum™ Duo 300mm is a wide plank with a 16mm centre groove and the look of two slimmer planks;
- Stratum™ Trio is a wide plank with two 16mm grooves;
- Stratum™ Contour 170mm is a slimmer plank with a 2mm indentation at the top.



Stratum™



Stratum™ Woodgrain



Stratum™ Duo



Stratum™ Duo Woodgrain



Stratum™ Trio



Stratum™ Contour

- / Easy shiplap joining
- / Factory sealed, ready for painting
- / Quick, simple installation: manual nailing, gun nailing or screw fixing
- / Optional face-fix or conceal-fix

[innovafibreceement.com.au/stratum](http://innovafibreceement.com.au/stratum)  
Some sizes may not be available in all states, please check with your local Innova office for availability.





THICKNESS mm	WEIGHT kg/lm	WIDTH mm	PROFILE	LENGTH mm	PACK SIZE
				4200	
12	4.8	300	Stratum™	✓	90
	4.8		Stratum™ Woodgrain	✓	90
	4.7		Stratum™ Duo	✓	90
	4.7		Stratum™ Duo Woodgrain	✓	90
	4.6		Stratum™ Trio	✓	90
10	2.2	170	Stratum™ Contour	✓	180

#### Accessories

PRODUCT	LENGTH mm	CODE
Internal Corner - Stratum™ and Stratum™ Duo	3000 x 17	INTCNR17
External Corner - Stratum™ and Stratum™ Duo	3000 x 17	EXTCNR17
Internal Corner - Stratum™ Contour	3000 x 25	INTCNR25
External Corner - Stratum™ Contour	3000 x 25	EXTCNR25
External Snap on Corner - Part A	3600	SNAPCNRA36
External Snap on Corner - Part B	3600	SNAPCNRB36
External Snap on Corner - Part C	3600	SNAPCNRC36
Starter Strip - Stratum™ Contour	3000	680
Stratum™ Joiner	3000	STRJNR12
Sealant	Sika FC11 or similar	485
EPDM Foam Gasket	25000	845
Thermal Break Tape (may be required when installing on steel frame)	12500	THERMAROLL125

When ordering Snap on Corners, 2 parts must be ordered,  
Part A + Part B or Part B + Part C.





**INNOVA™ FINISH ON SITE**

**Stonesheet™ is your #1 choice for stone wall substrate and for true masonry on timber or steel-framed buildings. A flat, square-edged sheet, Stonesheet™ comes as 9mm-thick panels.**

Designed specially as a substrate for both residential interior and exterior applications, Stonesheet™ is an excellent alternative where other non-specifically designed substrates have been used.

- / Exterior and interior stone tile facades
- / Non-structural substrate
- / Classified type A category 3 for exterior use
- / Will take maximum stone facade weight of 40kg/m<sup>2</sup>

THICKNESS mm	WEIGHT kg/m <sup>2</sup>	WIDTH mm	LENGTH mm	PACK SIZE
9	13.1	1200	3000 ✓	40

Accessories

PRODUCT	LENGTH mm	CODE
Thermal Break Tape (may be required when installing on steel frame)	12500	THERMAROLL125

[innovafibreceement.com.au/stonesheet](http://innovafibreceement.com.au/stonesheet)  
Some sizes may not be available in all states,  
please check with your local Innova office for availability.





**INNOVA™ FINISH ON SITE**

Use Intergroove™ internal wall lining to create a modern floor to ceiling feature wall or half height to create a more traditional look. Intergroove™ is a strong and durable wall panel that has been specially designed for internal use.

The V shaped groove featured in Intergroove™ provides the look of traditional panelling combined with the durability and ease of maintenance of fibre cement.

- / Lightweight and durable
- / Quick to install as it eliminates the need for taped and filled joints
- / Factory sealed panels aid paint application
- / Provides a tough durable finish, ideal for areas where impact and moisture resistance is required

THICKNESS mm	WEIGHT kg/m <sup>2</sup>	WIDTH mm	LENGTH mm	PACK SIZE
			2700	
7.5	11.1	1200	✓	50

[innovafibrececmnt.com.au/intergroove](http://innovafibrececmnt.com.au/intergroove)

Some sizes may not be available in all states, please check with your local Innova office for availability.





# Innova™ Accessories

## Finish on Site.

### DURAGRID™

#### Durabatten

Ply H5 Treated 19mm x 75mm x 2700mm - 492  
Pine H3 LOSP\* 18mm x 66mm x 3000mm - 494



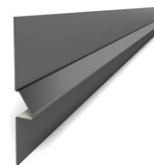
#### Durabatten – Steel

19mm x 70mm x 3000 x 0.75 BMT - 495  
35mm x 70mm x 3000 x 0.75 BMT - 496



#### Horizontal Backing Strip

1190mm - 839, 2390mm - 841, 2990mm - 843



#### Cavity Vent Strip – uPVC

19mm x 2700mm - 481



#### Sealant Adhesive

Sikaflex 11FC or Similar - 485



#### Countersinking Tool

Tungsten Carbide - 855



### DURACOM™

#### Primary Top Hat – Galvanised Steel

120mm x 35mm x 1.15 BMT-6000 - 831  
120mm x 35mm x 1.15 BMT-7200 - 833



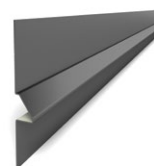
#### Intermediate Top Hat– Galvanised Steel

50mm x 35mm x 1.15 BMT-6000 - 835  
50mm x 35mm x 1.15 BMT-7200 - 837



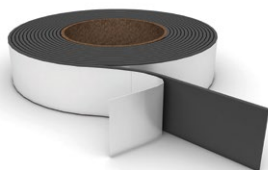
#### Horizontal Backing Strip

1190mm - 839, 2390mm - 841, 2990mm - 843



#### EPDM Foam Gasket

25m - 845



#### Sealant Adhesive

Sikaflex 11FC or Similar - 485



#### Weather Seal

Facade Washer  
DCA-WSEAL



#### Wafer Head

Self-Drilling Screw  
No.10 x 30mm  
GSA-SCREW 3010



# Innova™ Accessories

## Finish on Site.

### STRATUM™

**Internal Corner – Stratum™ Duo and Trio**  
3000mm x 17mm profile - INTCNR17



**Internal Corner – Stratum™ Contour**  
3000mm x 25mm profile - INTCNR25



**External Corner – Stratum™ Duo and Trio**  
3000mm x 17mm profile - EXTCNR17



**External Corner – Stratum™ Contour**  
3000mm x 25mm profile - EXTCNR25



**External Snap on Corner - Part A**  
3600mm - SNAPCNR36



**External Snap on Corner - Part B**  
3600mm - SNAPCNRB36



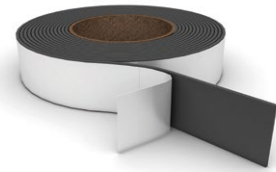
**External Snap on Corner - Part C**  
3600mm - SNAPCNR36



**Starter Strip**  
3000mm - 680



**EPDM Foam Gasket**  
25m - 845



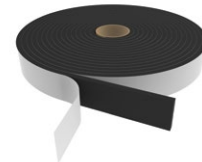
**Sealant Adhesive**  
Sikaflex 11FC or Similar - 485



**Stratum™ Joiner**  
3000mm - STRJNR12







**Thermal Break Tape**  
(may be required when installing on steel frame)  
12500mm - THERMAROLL12.5





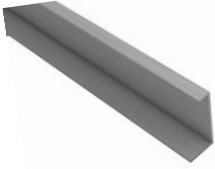


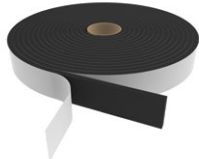


# Innova™ Accessories Finish on Site.

## DURASCAPE™ AND DURAGROOVE™

<p><b>External Corner</b> 3000mm - EXTCNR12</p> 	<p><b>Internal Corner</b> 3000mm - INTCNR12</p> 	<p><b>Horizontal Flashing</b> 3000mm - HORIZ9</p> 
<p><b>External Snap on Corner - Part B</b> 3600mm - SNAPCNRB36</p> 	<p><b>External Snap on Corner - Part C</b> 3600mm - SNAPCNR36</p> 	<p><b>EPDM Foam Gasket</b> 25m - 845</p> 
<p><b>Sealant Adhesive</b> Sikaflex 11FC or Similar - 485</p> 	<p><b>Thermal Break Tape</b> (may be required when installing on steel frame) 12500mm - THERMAROLL12.5</p> 	

## NULINE™ PLUS

<p><b>Internal Corner</b> 3000mm x 36mm profile - INTCNR36</p> 	<p><b>External Corner</b> 3000mm - EXTCNR36</p> 	<p><b>J Mould – Aluminium</b> 2700mm - 805</p> 
<p><b>Sealant Adhesive</b> Sikaflex 11FC or Similar - 485</p> 	<p><b>Starter Strip – Zincolume</b> 2700mm - 825</p> 	<p><b>Thermal Break Tape</b> (may be required when installing on steel frame) 12500mm - THERMAROLL12.5</p> 

**INNOVA™ PRE-FINISHED**

Montage™ is a versatile fibre cement facade system that can be used both externally and internally. It's pre-formed, pre-finished and non-combustible, making it a durable, safe and aesthetic addition to your project.

With a colour palette carefully considered to be blended or contrasted, you'll have an array of options to play with. The deep form embossed into the panels also creates a striking effect, making your project stand out from the streetscape.

/ Easy to install and designed to withstand the elements, Montage™ was created with critical specifying needs in mind. Not only does it look stunning, but its simple installation speeds up the building process too – reducing project build time with no need for finishing trades.

[innovafibreceement.com.au/montage](http://innovafibreceement.com.au/montage)  
Some sizes may not be available in all states,  
please check with your local Innova office for availability.





PANELS AND ACCESSORIES **CONCRETE**

DESCRIPTION	PRODUCT CODE	SIZE mm	WEIGHT kg/m <sup>2</sup>
Concrete - Square with Circle	KCFORMSC	3030 x 455 x 16	18.9
Concrete - Rectangular with Circle	KCFORMRC		
Concrete - Smooth Plain	KCFORMSM		



Square with Circle

Rectangle with Circle

Smooth Plain

**SLIMLINE TILE**

DESCRIPTION	PRODUCT CODE	SIZE mm	WEIGHT kg/m <sup>2</sup>
Slimline Tile - Limestone	K122369D	3030 x 455 x 18	17
Slimline Tile - Sandstone	K122374D		
Slimline Tile - Basalt	K122388D		
Slimline Tile - Onyx	K122582D		



Limestone

Sandstone

Basalt

Onyx

**STACKSTONE**

DESCRIPTION	PRODUCT CODE	SIZE mm	WEIGHT kg/m <sup>2</sup>
Stackstone - Limestone	K151358D	3030 x 455 x 18	16.7
Stackstone - Sandstone	K151303D		
Stackstone - Basalt	K151316D		
Stackstone - Onyx	K151318D		



Limestone

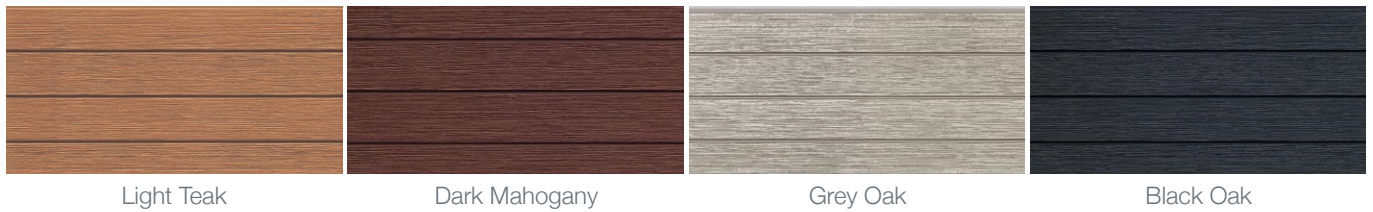
Sandstone

Basalt

Onyx

PANELS AND ACCESSORIES **WOODGRAIN**

DESCRIPTION	PRODUCT CODE	SIZE mm	WEIGHT kg/m <sup>2</sup>
Woodgrain - Light Teak	K112385D	3030 x 455 x 18	17.8
Woodgrain - Dark Mahogany	K112460D		
Woodgrain - Grey Oak	K112485D		
Woodgrain - Black Oak	K112525D		







**MONTAGE™ PANEL COVERAGE**

ROWS/COLUMNS	COVERAGE
1	455
2	910
3	1365
4	1820
5	2275
6	2730
7	3185
8	3640
9	4095
10	4550

The recommended minimum cut panel size is 100mm in length and 200mm in height. All cut panels must have edges sealed in order to protect against moisture penetration.



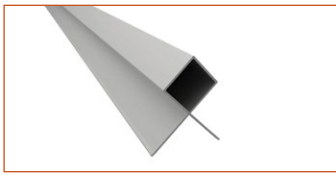
PANELS AND ACCESSORIES **PRE-FORMED CORNERS - HORIZONTAL INSTALLATION**

DESCRIPTION	PRODUCT CODE	SIZE mm	
Concrete	KOPA048T163D	455 x 75 x 16	
Woodgrain - Light Teak	K112T385D	455 x 75 x 18	
Woodgrain - Dark Mahogany	K112T460D		
Woodgrain - Grey Oak	K112T485D		
Woodgrain - Black Oak	K112T525D		
Slimline Tile - Limestone	K122T369D	455 x 75 x 18	
Slimline Tile - Sandstone	K122T374D		
Slimline Tile - Basalt	K122T388D		
Slimline Tile - Onyx	K122T582D		
Stackstone - Limestone	K151T358D	455 x 75 x 18	
Stackstone - Sandstone	K151T303D		
Stackstone - Basalt	K151T316D		
Stackstone - Onyx	K151T318D		

PANELS AND ACCESSORIES **PRE-FORMED CORNERS - VERTICAL INSTALLATION**

Woodgrain - Light Teak	K112L385D	455 x 75 x 18	
Woodgrain - Dark Mahogany	K112L460D		
Woodgrain - Grey Oak	K112L485D		
Woodgrain - Black Oak	K112L525D		

PANELS AND ACCESSORIES **ALUMINIUM CORNERS - EXTERNAL CORNERS**

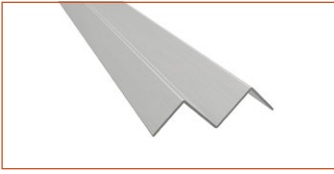


External Corner - EXTCNR36



DESCRIPTION	PRODUCT CODE	COLOUR	SIZE mm
Concrete - Square with Circle	KEXTCNR36CGO	Concrete/Grey Oak	3600
Concrete - Rectangle with Circle			
Concrete - Smooth Plain			
Slimline Tile - Limestone	KEXTCNR36LS	Limestone	3600
Slimline Tile - Sandstone	KEXTCNR36SS	Sandstone	
Slimline Tile - Basalt	KEXTCNR36BA	Basalt	
Slimline Tile - Onyx	KEXTCNR36OBO	Onyx/Black Oak	
Stackstone - Limestone	KEXTCNR36LS	Limestone	3600
Stackstone - Sandstone	KEXTCNR36SS	Sandstone	
Stackstone - Basalt	KEXTCNR36BA	Basalt	
Stackstone - Onyx	KEXTCNR36OBO	Onyx/Black Oak	
Woodgrain - Light Teak	KEXTCNR36LT	Light Teak	3600
Woodgrain - Dark Mahogany	KEXTCNR36DM	Dark Mahogany	
Woodgrain - Grey Oak	KEXTCNR36CGO	Concrete/Grey Oak	
Woodgrain - Black Oak	KEXTCNR36OBO	Onyx/Black Oak	

PANELS AND ACCESSORIES **ALUMINIUM CORNERS - INTERNAL CORNERS**



Internal Corner - INTCNR36



DESCRIPTION	PRODUCT CODE	COLOUR	SIZE mm
Concrete - Square with Circle	KINTCNR36CGO	Concrete/Grey Oak	3600
Concrete - Rectangle with Circle			
Concrete - Smooth Plain			
Slimline Tile - Limestone	KINTCNR36LS	Limestone	3600
Slimline Tile - Sandstone	KINTCNR36SS	Sandstone	
Slimline Tile - Basalt	KINTCNR36BA	Basalt	
Slimline Tile - Onyx	KINTCNR36OBO	Onyx/Black Oak	
Stackstone - Limestone	KINTCNR36LS	Limestone	3600
Stackstone - Sandstone	KINTCNR36SS	Sandstone	
Stackstone - Basalt	KINTCNR36BA	Basalt	
Stackstone - Onyx	KINTCNR36OBO	Onyx/Black Oak	
Woodgrain - Light Teak	KINTCNR36LT	Light Teak	3600
Woodgrain - Dark Mahogany	KINTCNR36DM	Dark Mahogany	
Woodgrain - Grey Oak	KINTCNR36CGO	Concrete/Grey Oak	
Woodgrain - Black Oak	KINTCNR36OBO	Onyx/Black Oak	



PANELS AND ACCESSORIES **MONTAGE™ ACCESSORIES - HORIZONTAL**

DESCRIPTION	PRODUCT CODE	
Horizontal Cavity Starter - 3030mm	KBTK-G17	
15mm Cavity Clip - 60 x 56 x 15mm	KBTK-D02	
15mm Spacer - 50 x 50 x 15mm	KBSP-002	
20mm High Hat Joiner - 3030mm	KBGK-HJ0820	
16mm Single Hat Joiner - 3030mm	KBGK-KJ0816	

PANELS AND ACCESSORIES **MONTAGE™ ACCESSORIES - VERTICAL**

DESCRIPTION	PRODUCT CODE	
Vertical Cavity Starter - 150mm	KBTK-D10	
5mm Cavity Clip - 62 x 50 x 5mm	KBTK-D01-N	
5mm Spacer - 50 x 50 x 5mm	KBSP-001	
10mm High Hat Joiner - 3030mm	KBGK-HJ0810	
10mm Single Hat Joiner - 3030mm	KBGK-KJ0810	
20mm High Hat Joiner - 3030mm For joining sheets on walls higher than 3030mm	KBGK-HJ0820	
16mm Single Hat Joiner - 3030mm For joining sheets on walls higher than 3030mm	KBGK-KJ0816	
Top Hat - 15 x 75mm x 1.15TCT - 3000mm	KTOPHAT75	

PANELS AND ACCESSORIES **MONTAGE™ COMMON ACCESSORIES - HORIZONTAL AND VERTICAL**

DESCRIPTION	PRODUCT CODE	
Internal Corner Flashing - 3050mm	KBGK-S15001	
65mm Ring Nail - For face fixing to timber frame	KBRNKH001	
Primer for Cut Edges and Joints - 100g	KPRIMER	
35mm SS Screws - Clips to Timber Frame	KBSBD001	
19mm SS Screws - Clips to Steel Frame	KBSBJ001	

PANELS AND ACCESSORIES **EAVES ACCESSORIES**

DESCRIPTION	PRODUCT CODE	
Eaves Trim Channel - Grey - 2730mm	KFVK-N24F-L27-AG	
Eaves Trim Channel - Brown - 2730mm	KFVK-N24F-L27-CB	
Eaves Trim Channel - Black - 2730mm	KFVK-N24F-L27-BK	
External Corner - Grey - 86 x 32.5 x 51.3mm	KFVK-N24FSD-AG	
External Corner - Brown - 86 x 32.5 x 51.3mm	KFVK-N24FSD-CB	
External Corner - Black - 86 x 32.5 x 51.3mm	KFVK-N24FSD-BK	
Internal Corner - Grey - 86 x 67.4 x 32.5mm	KFVK-N24FSI-AG	
Internal Corner - Brown - 86 x 67.4 x 32.5mm	KFVK-N24FSI-CB	
Internal Corner - Black - 86 x 67.4 x 32.5mm	KFVK-N24FSI-BK	
Trim Joint - Grey - 40 x 32.5mm	KFVK-N24FJC-AG	
Trim Joint - Brown - 40 x 32.5mm	KFVK-N24FJC-CB	
Trim Joint - Black - 40 x 32.5mm	KFVK-N24FJC-BK	
End Cap - Grey - 32.5 x 25mm	KFVK-N24FEC-AG	
End Cap - Brown - 32.5 x 25mm	KFVK-N24FEC-CB	
End Cap - Black - 32.5 x 25mm	KFVK-N24FEC-BK	



PANELS AND ACCESSORIES **MONTAGE™ SEALANTS**

MONTAGE™ PANEL	PRODUCT CODE	COLOUR	SIKA PRODUCT
Concrete - Square with Circle	1951	Concrete Grey	Sikaflex Pro 600
Concrete - Rectangle with Circle			
Concrete - Smooth Plain			
Slimline Tile - Limestone	1957	Off White	Sikaflex Pro 600
Slimline Tile - Sandstone	1955	Sandstone	
Slimline Tile - Basalt	1956	Dark Grey	
Slimline Tile - Onyx	1952	Black	
Stackstone - Limestone	1957	Off White	Sikaflex Pro 600
Stackstone - Sandstone	1953	Redwood	
Stackstone - Basalt	1951	Concrete Grey	
Stackstone - Onyx	1956	Dark Grey	
Woodgrain - Light Teak	1953	Redwood	Sikaflex Pro 600
Woodgrain - Dark Mahogany	1954	Dark Amber	
Woodgrain - Grey Oak	1951	Concrete Grey	
Woodgrain - Black Oak	1952	Black	



PANELS AND ACCESSORIES **MONTAGE™ TOUCH UP PAINT**

DESCRIPTION	PRODUCT CODE
Concrete - 80ml	KTUPCON
Woodgrain - Light Teak - 80ml	KTUPWGLT
Woodgrain - Dark Mahogany - 80ml	KTUPWGDM
Woodgrain - Grey Oak - 80ml	KTUPWGGO
Woodgrain - Black Oak - 80ml	KTUPWGBO
Slimline Tile - Limestone - 80ml	KTUPSTLS
Slimline Tile - Sandstone - 80ml	KTUPSTST
Slimline Tile - Basalt - 80ml	KTUPSTB
Slimline Tile - Onyx - 80ml	KTUPSTO
Stackstone - Sandstone - 80ml	KTUPQSS
Stackstone - Limestone - 80ml	KTUPQLS
Stackstone - Basalt - 80ml	KTUPQB
Stackstone - Onyx - 80ml	KTUPQO



WEATHERBOARDS

FLOORING SUBSTRATE

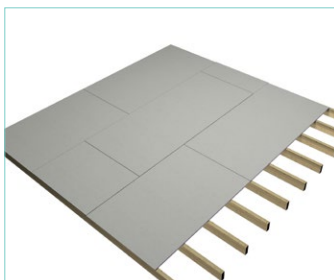
Your ultimate flooring solution, DuraFloor™ is superb for interior wet areas such as bathrooms and laundries. You can also specify DuraFloor™ for a variety of exterior uses.

Choose DuraFloor™ for balconies, verandahs and sundecks. Alternatively, where premium quality is your main concern, insist on DuraFloor™ as a total floor solution.

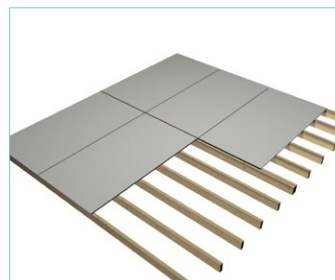
Use 19mm DuraFloor™ where joist spacings are at 450mm centres. DuraFloor™ 19mm has a pink tongue. Use 22mm DuraFloor™ where joist spacings are at 600mm centres. DuraFloor™ 22mm has a blue tongue.

- / Easy installation via traditional gun-nailing methods
- / Installation costs lower than standard compressed sheet
- / Same tongue & groove technology as traditional sheet flooring (eg: Structaflor®)
- / Greater impact resistance – feels more solid underfoot than timber-based sheet flooring products

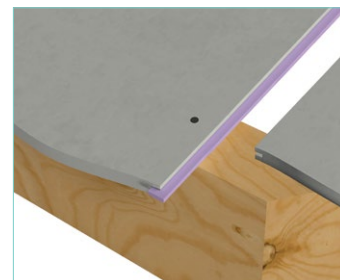
THICKNESS mm	WEIGHT kg/m <sup>2</sup>	WIDTH mm	LENGTH mm			PACK SIZE
			2250	2400	2700	
19	26.7	600	✓		✓	40
22	31.5	600		✓		40



Staggered Sheet Layout



Squared Sheet Layout



[innovafibrelement.com.au/durafloor](http://innovafibrelement.com.au/durafloor)  
Some sizes may not be available in all states, please check with your local Innova office for availability.







**FLOORING SUBSTRATE**

High-density Compressed Fibre Cement sheeting is a superlative substrate for interior floors in framed-construction wet areas. Fine for upper storeys and transportable buildings, it's equally suited for use in the cladding of exterior decks.

Compressed fibre cement sheeting is manufactured from cement, finely-ground silica, cellulose fibres and water. After forming, we compress the sheeting to high density, then cure it in a high-pressure steam autoclave for an exceptionally durable, fit-for-purpose product.

- / Immune to permanent water damage
- / Impact-resistant and immune to termite attacks
- / Highly durable and dimensionally stable
- / Suitable for wet areas and for external decking
- / Non-combustible and easy to work

THICKNESS mm	WEIGHT kg/m <sup>2</sup>	WIDTH mm	LENGTH mm				PACK SIZE
			1800	2400	2700	3000	
15	26	1200	✓	✓	✓	✓	20
18	31.1	900		✓		✓	20
		1200	✓	✓		✓	20
24	41.2	1200		✓			15

[innovafibrement.com.au/compressed](http://innovafibrement.com.au/compressed)  
 Some sizes may not be available in all states, please check with your local Innova office for availability.





FLOORING SUBSTRATE

Ceramic Tile Floor Underlay is a specially-formulated fibre cement sheet. It's designed as a stable substrate for slate and ceramic floor tiles, so you can install ceramic tile floor underlay over new or existing timber floorboards, plywood or particleboard flooring.

In dry areas, apply directly to Ceramic Tile Floor Underlay for an impervious, easily-cleaned surface. In wet areas and anywhere subject to accidental flooding or watersplash, install a waterproof membrane between the underlay and your tiling.

- / Specially-manufactured fibre cement sheet
- / Excellent substrate for floor tiles, both slate and ceramic
- / For dry and wet areas (see above)
- / Can be applied to both new and existing timber floorboards, plywood or particleboard

THICKNESS mm	WEIGHT kg/m <sup>2</sup>	WIDTH mm	LENGTH mm
6	8.8	1200	1800 ✓





Durasheet™ is a first-rate house cladding product for gable ends, eaves, soffits, carports and verandah linings: a general-purpose sheet you can use on both timber and steel-framed buildings.

Durasheet™ comes in two thicknesses to suit both residential and light commercial fibre cement applications, significantly extending your professional specifying choice.

- / 4.5mm thickness: used mainly in timber-framed residential buildings for soffit/eaves linings and cladding features such as gable ends
- / 6.0mm thickness: recommended for light commercial applications, cyclonic wind zones and steel framed constructions
- / Classified as Type A Category 2 for exterior use

THICKNESS mm	WEIGHT kg/m <sup>2</sup>	WIDTH mm	LENGTH mm				PACK SIZE
			1800	2400	2700	3000	
4.5	6.6	450		✓			120
		600		✓			120
		750		✓			120
		900		✓		✓	60
		1200	✓	✓	✓	✓	60
6	8.9	900		✓		✓	60
		1200	✓	✓	✓	✓	60

#### Accessories

PRODUCT	LENGTH mm	CODE
Thermal Break Tape (may be required when installing on steel frame)	12500	THERMAROLL12.5



[innovafibreceement.com.au/facades-linings/bgc-fibre-cement/durasheet](http://innovafibreceement.com.au/facades-linings/bgc-fibre-cement/durasheet)  
 Some sizes may not be available in all states, please check with your local Innova office for availability.







In its appealing look and easy installation, the design of Duraplank™ evokes traditional weatherboards. Duraplank™ won't decay, rot or become damaged by white ants, and it's non-combustible.

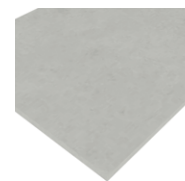
Beautifully attractive – you have the option of a smooth finish, a woodgrain or a rustic texture for an authentic weatherboard look – Duraplank™ also has the strength to withstand the rigours of family life.

- / Similar flavour to traditional weatherboards
- / No decay, rot or white ant damage
- / Safe and durable – needs only minimum maintenance
- / Variety of finishes
- / Complies with BAL29 as required in AS3959:2018 – Construction of buildings in bushfire-prone areas

THICKNESS mm	WEIGHT kg l/m	WIDTH mm	PROFILE	LENGTH mm	PACK SIZE
7.5	2.5	230	Smooth & Woodgrain	4200	120
	3.3	300	Smooth & Woodgrain		120

#### Accessories

PRODUCT	LENGTH mm	CODE
Joiner Smooth	230	565
	300	566
Joiner Woodgrain	230	567
	300	568
Internal Corner	3000	INTCNR25
External Corner	3000	EXTCNR25
Snap on Corner Part - A	3600	SNAPCNR36
Snap on Corner Part - B	3600	SNAPCNRB36
Snap on Corner Part - C	3600	SNAPCNR36
Thermal Break Tape (may be required when installing on steel frame)	12500	THERMAROLL12.5



Duraplank™  
Smooth



Duraplank™  
Woodgrain

When ordering Snap on Corners, 2 parts must be ordered, Part A + Part B or Part B + Part C.

[innovafibreceement.com.au/facades-linings/bgc-fibre-cement/duraplank](http://innovafibreceement.com.au/facades-linings/bgc-fibre-cement/duraplank)

Some sizes may not be available in all states, please check with your local Innova office for availability.




**INNOVA FIBRE CEMENT**

Duratex™ is a tough, durable and waterproof fibre cement perfect for house cladding and for buildings in bush-fire areas. Duratex™ provides a solid substrate for applied decorative finishes when combined with proprietary jointing and coating systems.

Tough, durable, waterproof and fire-resistant, Duratex™ is great for lightweight construction and features a factory-applied blue tint to help with identification.

- / Specify for residential and commercial applications
- / Accepts a wide range of textured coatings
- / Complies with AS3959:2018 – Construction of buildings in bushfire-prone areas (7.5mm: BAL29; 9mm: BAL40)

THICKNESS mm	WEIGHT kg/m <sup>2</sup>	WIDTH mm	LENGTH mm				PACK SIZE
			2400	2440	2725	3000	
7.5	11	1200		✓	✓		50
						✓	50
9	13	1200	✓			✓	40

**Accessories**

PRODUCT	LENGTH mm	CODE
Thermal Break Tape (may be required when installing on steel frame)	12500	THERMAROLL125



7.5mm &amp; 9mm Recessed Edge

[innovafibreceement.com.au/facades-linings/bgc-fibre-cement/duratex](http://innovafibreceement.com.au/facades-linings/bgc-fibre-cement/duratex)

Some sizes may not be available in all states, please check with your local Innova office for availability.





**INNOVA FIBRE CEMENT**

Duraliner™ Plus is a best-selling general-purpose fibre cement building board. Designed for flush jointing, Duraliner™ Plus is highly effective for use in wet areas, interior linings, ceilings, as a substrate for ceramic wall tiles and for fire and acoustically-rated interior walls.

You can also specify Duraliner™ Plus for soffits and other external applications where there'll be no direct impact from the weather.

- / Wide range of applications
- / Specify as part of fire and acoustic-rated wall systems
- / Rebated on 3 edges for easy jointing and installation
- / Classified as Type B Category 3 product for use in applications sheltered from direct weathering
- / Now with a clear finish

THICKNESS mm	WEIGHT kg/m <sup>2</sup>	WIDTH mm	LENGTH mm						Pack Size
			1800	2400	2700	3000	3600	4200	
6	8.9	900		✓					60
		1200	✓	✓	✓	✓	✓		
		1350		✓		✓	✓		
9	13.2	1200		✓	✓	✓	✓	40	
		1350				✓	✓		
12	17.9	1200				✓		30	



6mm, 9mm & 12mm Recessed Edge

[innovafibreceement.com.au/duraliner-plus](http://innovafibreceement.com.au/duraliner-plus)

Some sizes may not be available in all states, please check with your local Innova office for availability.







**INNOVA FIBRE CEMENT**

Duralux<sup>TM</sup> Plus is a general-purpose fibre cement building board that you can use for many different and demanding applications. Among these are interior lining, domestic and commercial soffits, exposed beam ceilings, in wet areas and as a substrate for ceramic wall tiles.

Quick and easy to apply to timber or steel, 3 available thicknesses make Duralux<sup>TM</sup> Plus a flawless choice for many domestic and commercial applications

- / Easy, correct installation and maintenance will ensure full water-resistance
- / Simply decorated in a variety of finishes
- / Classified as Type B Category 2 product for use in applications sheltered from direct weathering

THICKNESS mm	WEIGHT kg/m <sup>2</sup>	WIDTH mm	LENGTH mm				PACK SIZE
			2400	2700	3000	3600	
6	8.9	1200	✓	✓	✓	✓	60
9	13.1	1200	✓	✓	✓		40



6mm & 9mm Square Edge

[innovafibreceement.com.au/duralux-plus](http://innovafibreceement.com.au/duralux-plus)



## Warranty

We warrant that our products are free from defects caused by faulty manufacture or materials for the following period from the date of purchase:

- 25 years for the Nuline™ Plus, Stratum™ and Duraplank™ ranges
- 10 years for the Montage™ range and
- 15 years for all other Innova™ Fibre Cement ranges

If you acquire any defective products, we will repair or replace them, supply equivalent replacement products or refund the purchase price within 30 days of receiving a valid claim, subject to product inspection and confirmation of the existence of a defect by Innova. We will bear the cost of any such repair, replacement or refund.

This warranty is given by:

**Etex Australia Pty Ltd**  
31 Military Road, Matraville NSW 2036  
Phone 02 9311 6908

To claim under this warranty, you must provide proof of purchase as a consumer and make a written claim (including any costs of claiming) to us at the address specified above within 30 days after the defect was reasonably apparent, or if the defect was reasonably apparent prior to installation, the claim must be made prior to installation. You may not claim under this warranty for loss or damage caused by:

- faulty or incorrect installation by non-Innova installers (Innova's installation procedures are at [bgcinnovadesign.com.au](http://bgcinnovadesign.com.au));
- failure to comply with the Building Code of Australia or any applicable legislation, regulations approvals and standards;
- products not made or supplied by Innova;
- abnormal use of the product; or
- normal wear and tear.

The benefits available under this warranty are in addition to other rights and remedies of the consumer under the law. Our goods come with guarantees that cannot be excluded under the Australian Consumer Law. You are entitled to a replacement or refund for a major failure and for compensation for any other reasonably foreseeable loss or damage.

You are also entitled to have the goods repaired or replaced if the goods fail to be of acceptable quality and the failure does not amount to a major failure.

## Terms and Conditions

Innova Fibre Cement's Terms and Conditions of Sale ("Agreement"), as in place and published at the date of this brochure, which are available upon request or on our website at [www.innovafibreceement.com.au](http://www.innovafibreceement.com.au). The purchaser's terms and conditions, howsoever provided, do not form part of the Agreement.







NOTES

Ruled area with horizontal dotted lines for taking notes.

To contact  
your nearest  
Innova stockist,  
Please call:

**ADELAIDE**

71 FROST ROAD  
SALISBURY SOUTH  
SOUTH AUSTRALIA 5106  
TELEPHONE 08 8480 1700

**BRISBANE**

53 ARGON STREET  
CAROLE PARK QUEENSLAND  
4300  
TELEPHONE 07 3548 8400

**MELBOURNE**

10-20 JORDAN CLOSE  
ALTONA  
VICTORIA 3018  
TELEPHONE 03 9492 1700

**PERTH**

38-40 MAGNET ROAD  
CANNINGVALE  
WESTERN AUSTRALIA 6055  
TELEPHONE 08 9311 5500

**SYDNEY**

BUILDING 2A  
37 STENNETT ROAD INGLEBURN  
NEW SOUTH WALES 2565  
TELEPHONE 02 8107 9500

**TECHNICAL HELP LINE**

1300 652 242

[INNOVAFIBRECEMENT.COM.AU](http://INNOVAFIBRECEMENT.COM.AU)



- © innovabuildingsystems
- f Innova Building Systems
- in Innova Building Systems