



Changing Tables

– Height-Adjustable
for a Healthy Work
Posture



Flexible changing tables

Good and healthy work postures require flexible solutions. The changing tables from Pressalit Care have been carefully designed to enable staff working in nurseries, kindergartens and hospitals to care for children without subjecting their backs to heavy lifting.

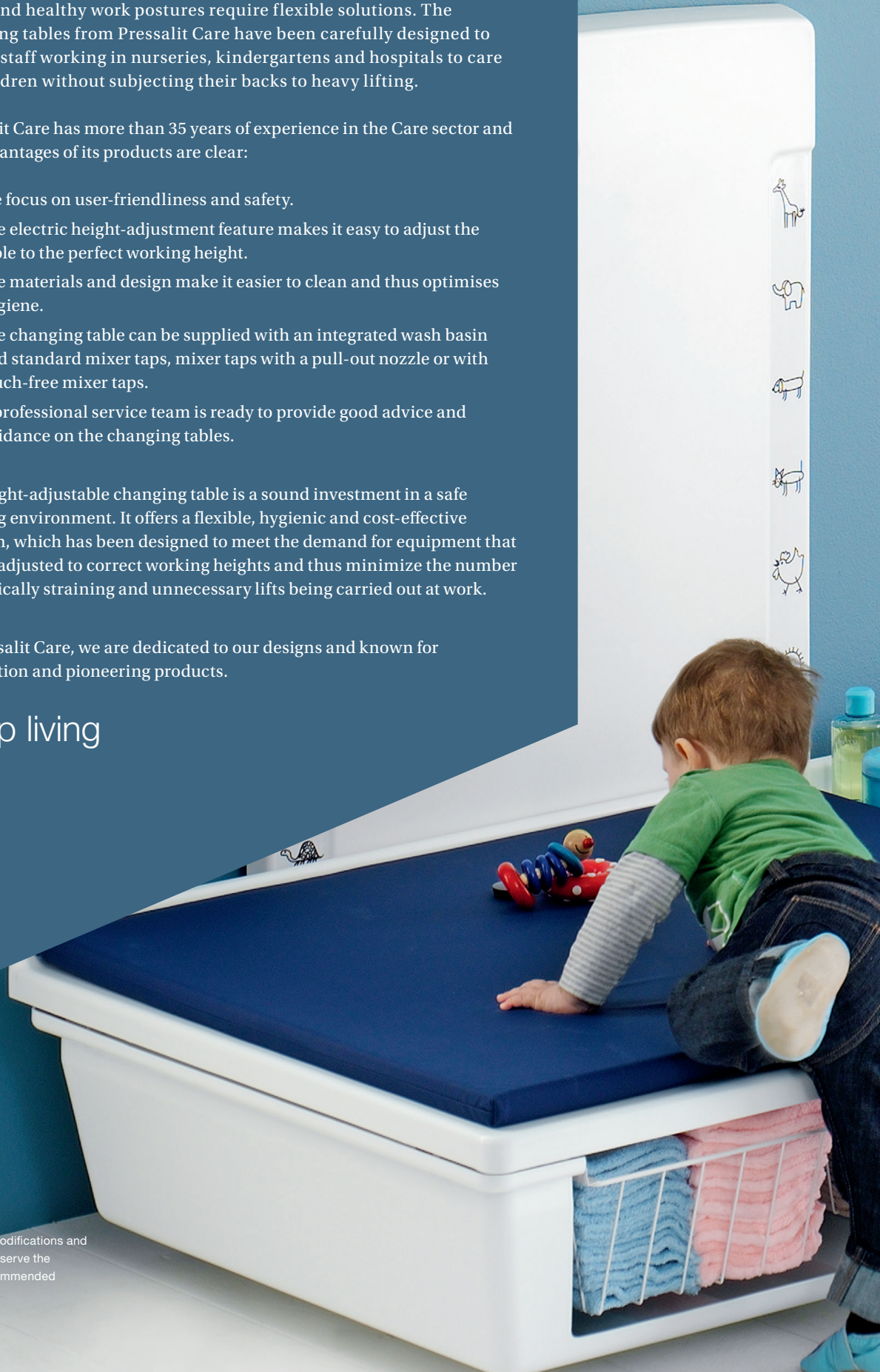
Pressalit Care has more than 35 years of experience in the Care sector and the advantages of its products are clear:

- We focus on user-friendliness and safety.
- The electric height-adjustment feature makes it easy to adjust the table to the perfect working height.
- The materials and design make it easier to clean and thus optimises hygiene.
- The changing table can be supplied with an integrated wash basin and standard mixer taps, mixer taps with a pull-out nozzle or with touch-free mixer taps.
- A professional service team is ready to provide good advice and guidance on the changing tables.

The height-adjustable changing table is a sound investment in a safe working environment. It offers a flexible, hygienic and cost-effective solution, which has been designed to meet the demand for equipment that can be adjusted to correct working heights and thus minimize the number of physically straining and unnecessary lifts being carried out at work.

At Pressalit Care, we are dedicated to our designs and known for inspiration and pioneering products.

keep living



Contents

Low start height wallhung changing tables	Page	4
Wallhung changing tables	Page	5
Freestanding changing tables	Page	6
Accessories for changing tables	Page	7



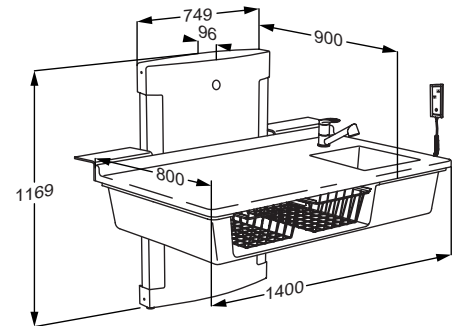
Low start height, wallhung changing tables



Changing table with sanitary appliances

- ◀ **R8682000**
800 x 1400 mm, worktop with integrated sink on the right-hand side and tap with pull-out spout
- R8684000**
800 x 1400 mm, worktop with integrated sink on the right-hand side and tap
- R8683000**
800 x 1800 mm, laminate worktop with stainless steel sink recessed into right-hand side and tap with pull-out spout
- R8685000**
800 x 1800 mm, laminate worktop with stainless steel sink recessed into right-hand side and tap

The changing tables are incl. electric motor with handcontrol, transformer, safety stop, feed/waste system, 2 wire baskets.



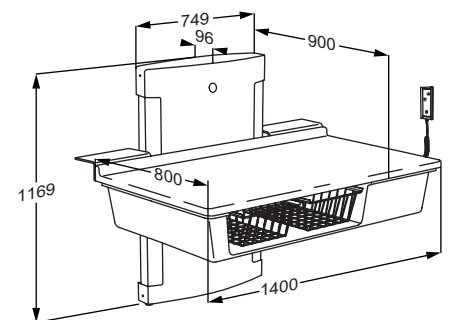
Height-adjustable from 300 – 1000 mm
Max. load R8682 - R8685: 75 kg



Changing table

- R8661000**
800 x 900 mm, electric motor with hand control
- ◀ **R8662000**
800 x 1400 mm, electric motor with hand control
- R8663000**
800 x 1800 mm, electric motor with hand control
Laminate worktop

The changing tables are incl. transformer, safety stop, 2 wire baskets.



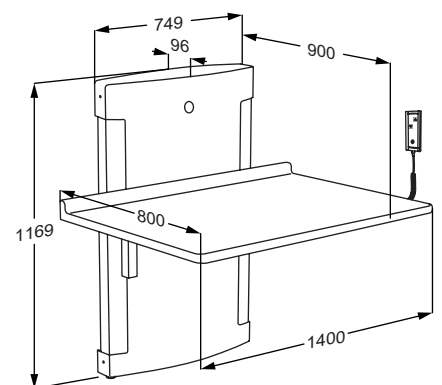
Height-adjustable from 300 – 1000 mm
Max. load R8661 - R8663: 75 kg



Changing table, folding version

- R8671000**
800 x 900 mm, electric motor with hand control
- ◀ **R8672000**
800 x 1400 mm, electric motor with hand control
- R8673000**
800 x 1800 mm, electric motor with hand control
Laminate worktop

The changing tables are incl. transformer



In raised position: 250 mm
Height-adjustable from 300 – 1000 mm
Max. load R8671 - R8673: 75 kg

Materials: ABS plastics, synthetic acrylic, powder-lacquered steel

Changing tables with laminate worktops are available in custom lengths up to 1800 mm and may be fitted with a recessed stainless steel sink.

Wallhung changing tables



Changing table with sanitary appliances

◀ R8732000

800 x 1400 mm, worktop with integrated sink on the right-hand side and tap with pull-out spout

R8734000

800 x 1400 mm, worktop with integrated sink on the right-hand side and tap

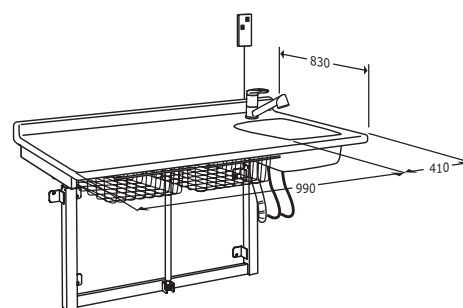
R8733000

800 x 1800 mm, laminate worktop with stainless steel sink recessed into right-hand side and tap with pull-out spout

R8735000

800 x 1800 mm, laminate worktop with stainless steel sink recessed into right-hand side and tap

The changing tables are incl. electric motor with hand control, transformer, feed/waste system, 2 wire baskets.



Height-adjustable from 650 – 1000 mm

Max. load R8732, R8734: 75 kg

Max. load R8733, R8735: 150 kg



Changing table

R8711000

800 x 900 mm, electric motor with hand control

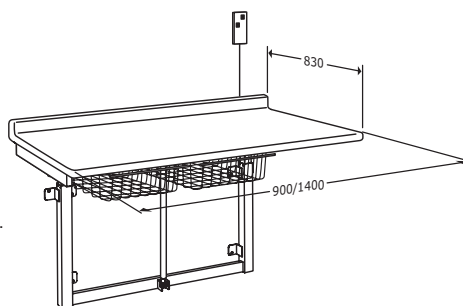
◀ R8712000

800 x 1400 mm, electric motor with hand control

R8713000

800 x 1800 mm, electric motor with hand control
Laminate worktop

The changing tables are incl. transformer, 2 wire baskets.



Height-adjustable from 650 – 1000 mm

Max. load R8711 - R8712: 75 kg

Max. load R8713: 150 kg



Changing table, folding version

R8721000

800 x 900 mm, electric motor with hand control

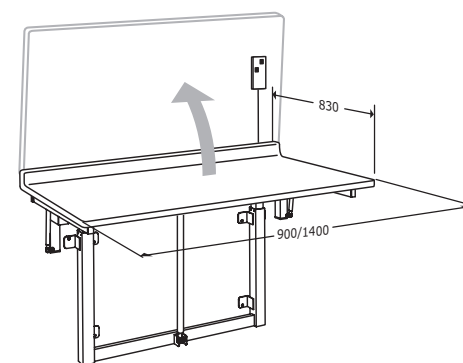
◀ R8722000

800 x 1400 mm, electric motor with hand control

R8723000

800 x 1800 mm, electric motor with hand control
Laminate worktop

The changing tables are incl. transformer.



In raised position: 160 mm

Height-adjustable from 650 – 1000 mm

Max. load R8721 - R8722: 75 kg

Max. load R8723: 150 kg

Materials: ABS plastics, synthetic acrylic, powder-lacquered steel

Changing tables with laminate worktops are available in custom lengths up to 1800 mm and may be fitted with a recessed stainless steel sink.

Freestanding changing tables



Changing table with sanitary appliances

◀ R8652000

800 x 1400 mm, worktop with integrated sink on the right-hand side and tap with pull-out spout

R8654000

800 x 1400 mm, worktop with integrated sink on the right-hand side and tap

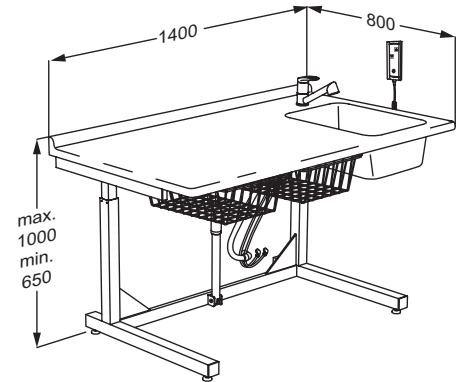
R8653000

800 x 1800 mm, laminate worktop with stainless steel sink recessed into right-hand side and tap with pull-out spout

R8655000

800 x 1800 mm, laminate worktop with stainless steel sink recessed into right-hand side and tap

The changing tables are incl. electric motor with hand control, transformer, feed/waste system, 2 wire baskets.



Height-adjustable from 650 – 1000 mm
 Max. load R8652, R8654: 75 kg
 Max. load R8653, R8655: 150 kg



Changing table

R8641000

800 x 900 mm, electric motor with hand control

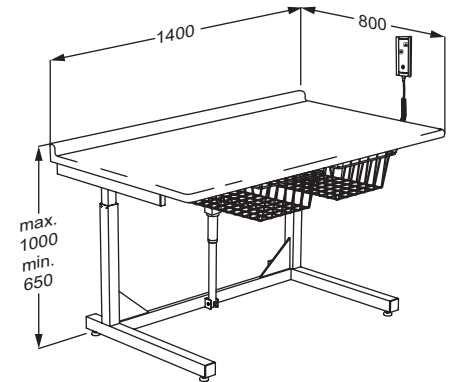
◀ R8642000

800 x 1400 mm, electric motor with hand control

R8643000

800 x 1800 mm, electric motor with hand control
 Laminate worktop

The changing tables are incl. transformer, 2 wire baskets.



Height-adjustable from 650 – 1000 mm
 Max. load R8641 - R8642: 75 kg
 Max. load R8643: 150 kg

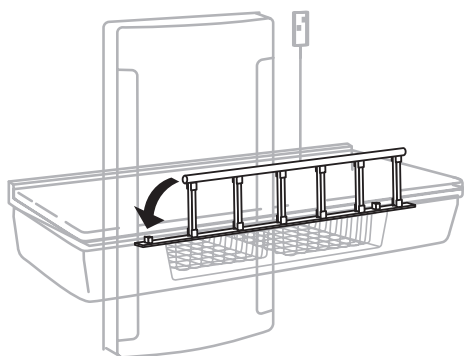
Materials: ABS plastics, synthetic acrylic, powder-lacquered steel

Changing tables with laminate worktops are available in custom lengths up to 1800 mm and may be fitted with a recessed stainless steel sink.

Accessories for changing tables

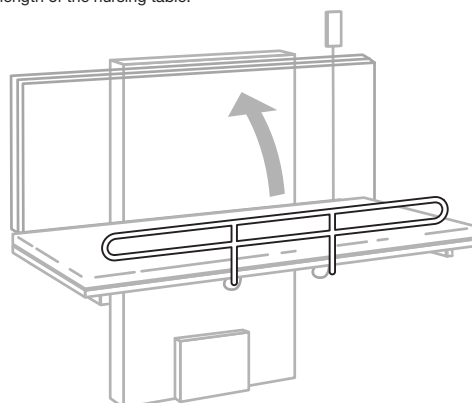
RB1921000 Guard rail

Fits on non foldable changing tables.
Length: 900 - 1400 mm



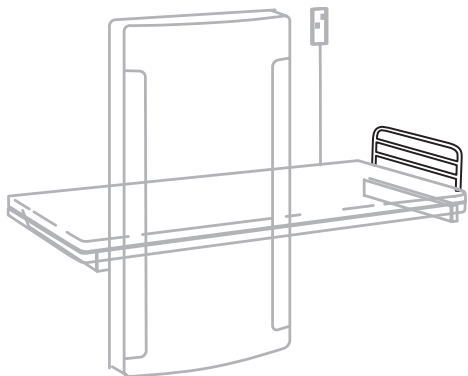
RB1922000 Guard rail

Fits on foldable changing tables. Length is adapted after the length of the nursing table.



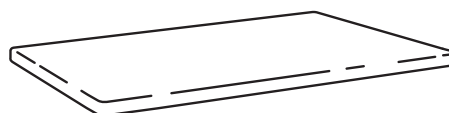
R8707000 End rail

For mounting on changing tables, cannot be used on folding versions. Length: 200 - 700



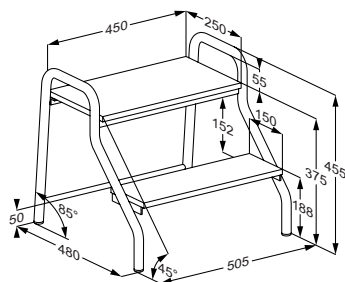
RB1901xxx Mattress for changing table 760 x 900 mm
RB1902xxx Mattress for changing table 760 x 1400 mm
RB1903xxx Mattress for changing table 760 x 950 mm
RB1904xxx Mattress for changing table 760 x 1800 mm
RB1905xxx Mattress for changing table 760 x 1350 mm

30 mm thight and Phthalate-free.
Delivered in sizes fitted to the different changing tables.



R8709000 Step ladder

2 steps, width: 505 mm.



Standard colour

○ xxx = 000 White

Special colour

● xxx = 135 Red

● xxx = 218 Blue

PRESSALIT® CARE

Reduced functionality need not limit a person's development. For more than 35 years, the keep living philosophy has been a guiding principle for Pressalit Care's development of flexible kitchen and bathroom solutions for people with disabilities.

Thanks to its research-based knowledge, Pressalit Care is a market leader within specialist kitchen and bathroom solutions and today provides consultancy to customers worldwide.

An underlying respect for the individual and his or her possibilities is also reflected in the company's relationship to society at large and the local community. At Pressalit, Corporate Social Responsibility (CSR) is deeply rooted in the company's strategy and values which provide direction for all parts of the organisation.

Pressalit Care's head office is located in Denmark.

www.pressalit.com

Pressalit A/S
Pressalitvej 1
8680 Ry
Danmark
Tel.: +45 8788 8788
Fax: +45 8788 8789
E-mail: pressalit@pressalit.com

UK Sales - Pressalit Care plc
100 Longwater Avenue
Green Park
Reading
RG2 6GP
United Kingdom
Tel.: +44 844 880 6950
Fax: +44 844 880 6951
E-mail: uk@pressalit.com

International Sales Department
Pressalitvej 1
8680 Ry
Denmark
Tel.: +45 8788 8777
Fax: +45 8788 8669
E-mail: sales@pressalit.com

