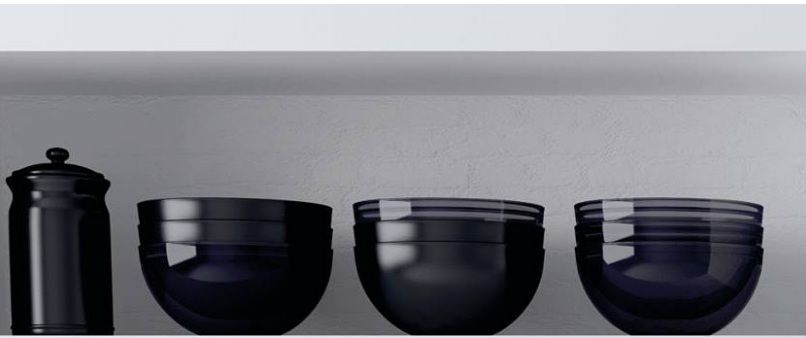




Solutions for your Home

Kitchens, Bathrooms & Laundry Solutions
Splashbacks & Panels



NOVER



FEATURES AT A GLANCE

Unique, high-tech polymer

Adhere with a clear neutral cure silicone

10-year UV warranty

Hi-Gloss finish

Available off-the-shelf in designer colours

Can be colour-matched to suit
(depending on project scale)

Scratch resistant

Scratches can be polished out

Easy to work - easy to install

Higher heat distortion (up to 80° Celcius)

Lighter, more cost-effective than painted glass

Environmentally friendly: recyclable / lower
energy than glass to produce

100% recyclable

Builders have on-site control

25 times more impact resistant than glass

Available in various sizes

No grout to clean

Highest chemical resistance in category



What is Akril?

The new, environmentally friendly way to add colour, functionality and durability to your home.



For residential or commercial projects – wet areas, decorative panels and virtually any vertical surface – Akril is brilliant. It's lightweight, cost effective, easy to cut to size and install on site.

Best of all, it lets your brilliant ideas shine through.

Akril is manufactured in Australia from an environmentally friendly, highly engineered polymer enhanced with colour. It's 50% lighter than glass and 25 times more impact resistant. Akril is the logical alternative to glass as it won't shatter, crack or chip when hit with force and on average is 40% cheaper to install. It is extremely DIY friendly and easy to install with only standard power tools required for installation.

With its high impact resistance Akril won't scratch easily and will not grow bacteria making it the perfect solution for high use areas such as kitchens where food is prepared, laundries, bathrooms, shower walls as well as your entertaining areas.

Akril is an extremely high gloss quality, durable product that is abrasion resistant. Should you scratch or damage Akril in some way, you will be confident in the knowledge that any scratches can be easily buffed out and returned to Akril's original finish.

Akril's ease of repairability in being able to simply return the product back to its original form, is a unique feature of the product.

You will be able to transform almost any vertical surface into a beautiful feature in and around your home.

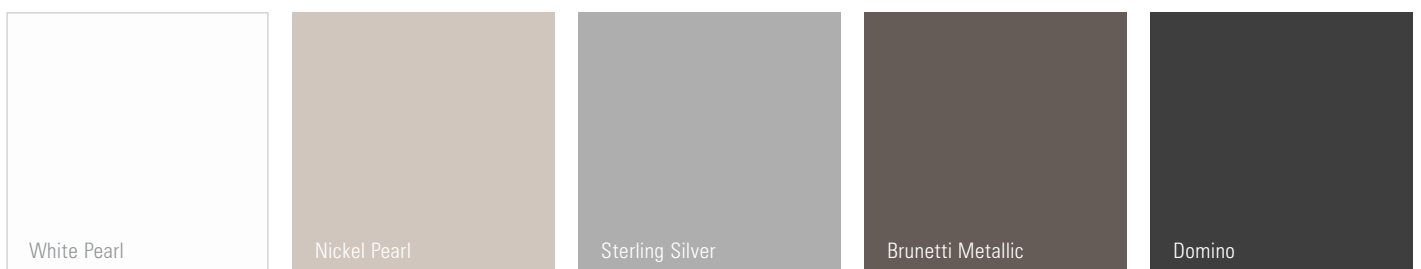
Decorator Range

We have a range of designer colours available in a striking gloss finish. We are also able to colour co-ordinate to your requirements if you have a large project with specific colour needs.

Solid Colours



Metallic Colours



Note: Colour variation between batches can occur.

The Range

Polymer: Decorator Range

Standard Stock Panel Size

Height	Width	Thickness
1220mm	2440mm	6mm
725mm	3050mm	6mm

Standard Non-Stock Panel Size

Height	Width	Thickness
1220mm	2440mm	4mm
1220mm	3050mm	6mm

Shower Wall Non-Stock Panel Size

Height	Width	Thickness
900mm	2000mm	4mm or 6mm
900mm	2440mm	4mm
1220mm	2000mm	4mm or 6mm

Polymer: Select Range

Select Non-Stock Panel Size

Height	Width	Thickness
575mm	2600mm	4mm
725mm	2440mm	6mm
760mm	2600mm	4mm

Select Non-Stock Shower / Wall Panel Size

Height	Width	Thickness
900mm	2440mm	4mm
920mm	2000mm	4mm or 6mm
1220mm	2000mm	4mm or 6mm
1220mm	2440mm	4mm or 6mm

Glass Filler Panels

Height	Width	Thickness
200mm	595mm	5mm [^]
200mm	895mm	5mm [^]
650mm	595mm	5mm
650mm	895mm	5mm
730mm	595mm	5mm
730mm	895mm	5mm

[^] Not available in Akрил Select

Stainless Steel Filler Panels

Stainless Steel Filler Panels - Vertical Grain

Height	Width	Thickness
650mm	597mm	1mm
650mm	897mm	1mm

Stainless Steel Filler Panels - Horizontal Grain Finger Print Resistant

Height	Width	Thickness
650mm	597mm	1mm
650mm	897mm	1mm
730mm	597mm	1mm
730mm	897mm	1mm

Akрил is available in many additional non-stock sheet sizes. Please discuss with your Nover account manager for specific details.

The Akril Solution

Akril is a highly engineered polymer, enhanced with colour, that offers a new source of design inspiration.



This durable panel was originally developed as a cost effective alternative to painted glass but it's qualities of versatility, flexibility and workability allow it to stand alone in a range of domestic, commercial and display situations.

Having half the weight and being more cost effective than painted glass is a great start – but Akril has so much more going for it.

It's ready availability and ease of installation reduces lead times and delays. It has higher heat distortion than conventional polymers (up to 80° Celsius) which means it has more applications. What's more, scratches can be polished out.

In so many ways, 'brilliant' is the only word that can sum up Akril's great qualities so completely. From the lustre of its surface to the depth of its colour.

Brilliant! From its versatility and durability, to its extraordinary practicality on site.

Now, that's truly brilliant.

Shower Splashbacks

No grout makes cleaning easy!



Simply use standard non abrasive household cleaners to keep your Akril panels clean. No harsh scrubbing required.

Environmentally friendly, Akril comes in a range of colours and finishes that are at home in virtually any vertical application; straight, shaped or curved. Let your imagination loose in showers, bath surrounds and laundry walls.

That's brilliant.

Shower Wall Non-Stock Panel Size

Height	Width	Thickness
920mm	2000mm	4mm or 6mm
900mm	2400mm	4mm
1220mm	2000mm	4mm or 6mm

Akril Select

Bring life to your kitchen, bathroom, shower area or entertaining space.

Akril Select is proudly manufactured in Australia using an innovative process.

With the same quality and features you are used to with our standard Akрил range, Akрил Select will offer a modern and vibrant look without the costly price tag of similar products that are available.

We offer a range of designs giving you the option to coordinate with many decors. Akрил Select will be the envy of your friends making any space a feature of your home.

Akril Select is an investment in your home not just an investment in a great product.



**Christmas Flower
Kitchen Splashback**

Akril Select

Designs to bring new life to your home.



Paris



Manhattan



Christmas Flower



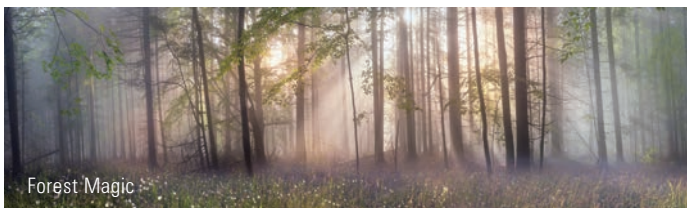
Dandelion Drops



Bluegrass



Wheat Grass



Forest Magic



Crayon

Note: Not all Select designs are available in all sheet sizes



Bokeh



Blur



Ocean Wave



Ocean Fractal



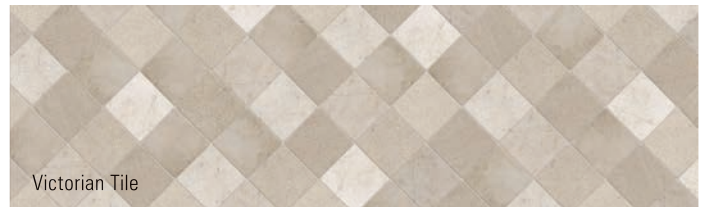
Crop Circles



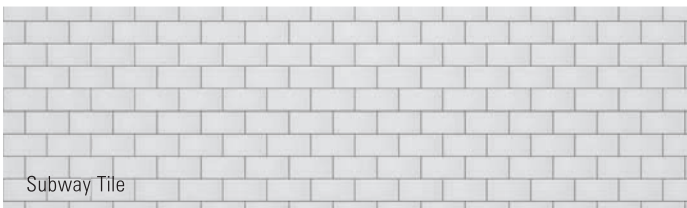
Butcher Block



Georgian Tile



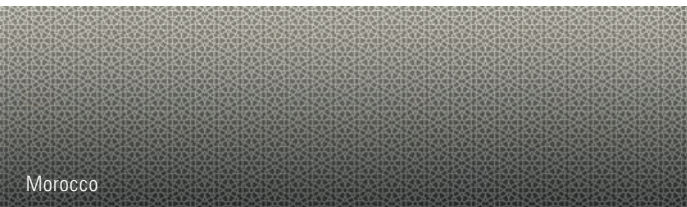
Victorian Tile



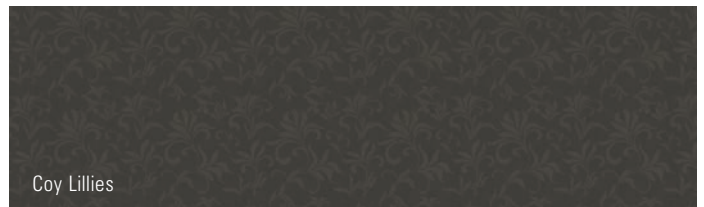
Subway Tile



Red Brick



Morocco



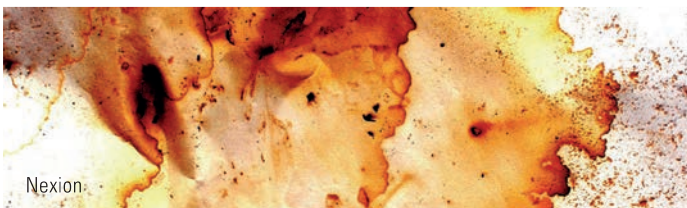
Coy Lillies



Chestnut Wallpaper



Watercolour



Nexion



Copper



Coffee Smoke

Note: When joining an image please do not mix sheet sizes. The sheet size must be the same for the image to follow continuously across two sheets. For single sheet purchases please note the image. When using the glass colour matched panel system, slight colour differences can occur between the glass and polymer panels due to the nature of glass composition. Everything possible will be done to deliver the best match however due to the above factors a perfect match cannot be guaranteed every time.



Panel Orientation

Akril Polymers can be used around the home in many applications, sometimes in a vertical orientation such as in showers or feature walls. Our Select range can be reorientated to accommodate this and to provide a design across one or more vertical panels.

To order a Select Polymer make a note on your order clearly stating you require the design in a vertical orientation.

If you require the design to be continuous across more than one sheet clearly note this at the same time.

Please note that only a section of the Select design is able to be provided when ordering in a vertical orientation. Our designer will choose the best section based on your order requirements.

Akril Stainless Steel Filler Panels

Akril offer a range of stainless steel filler panels to give you even more options in your kitchen.

Easy DIY installation directly over a Akril Polymer gives you the flexibility to use behind a gas cooktop and protect against radiant heat.

With 4 sizes available in horizontal grain and 2 in vertical, Akril stainless steel filler panels are sure to match your kitchen.

Nano Coat technology gives all horizontal grain stainless steel filler panels fingerprint resistance, a feature that removes one of the most common issues stainless steel in the home.



Akril Polish Kit

The Akril Polish Kit can be used to remove scratches or to create beautiful polished edges on Akril Polymers. By working through various grades of sand paper and finishing with the Ultra Polishing Cream, you can remove scratches and return the surface to its original lustre.

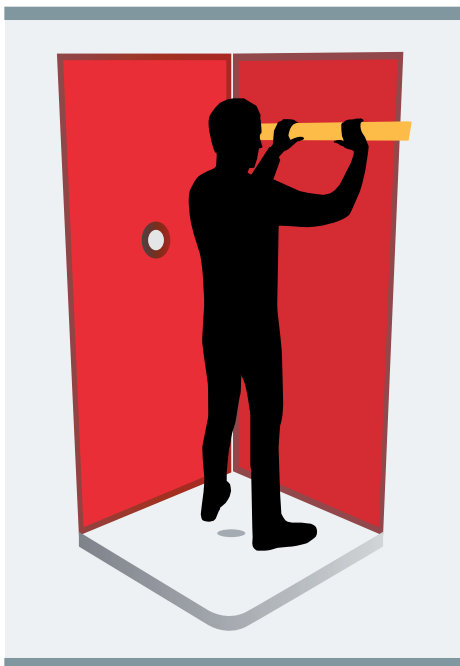


NOVER Code 265230



Installation Instructions

Akril is an Australian made high gloss decorative panel system. Akril can be used in all areas across your home – kitchens, bathrooms, laundries – *almost any vertical surface!*



Hint:

Use a straight edge to press Akрил onto the wall to ensure a flat finish

Always ensure your walls are clean, dry, smooth and free from any foreign materials.

Ensure any fixings used to hold the backing substrate that is behind your Akрил panel are recessed or flush to prevent damage to your colour back by screw heads or nails etc.

All backing substrates should be flush with no lipping or steps across different sheets.

Where you are installing your Akрил panel over existing tiles ensure they are structurally sound with no loose tiles. Where you have loose tiles remove completely and fill void with an appropriate filler. Clean all tiles thoroughly with a grease removing cleaner like sugar soap to remove any contaminants. Extremely high gloss tiles may need to be scuffed with coarse sandpaper to ensure correct adhesion with your silicone (see silicone manufacturers recommendations).

TIP:

A suggestion is when installing multiple panels determine where your joins will be and identify the area that may be visible between these joins with your marker. A good idea is to paint the back wall with a similar colour paint as to your Akрил panel to help reduce the visibility of your join.

HANDY HINTS

Once you have completed all preparation and cutting don't forget to remove the protective film on the back (painted) side of your panel before adhering to your wall.

Always leave the front protective film on the front of your panel until the very last. This should be the last job after you have cleaned up your construction site.

When pushing your panel against a wall use a straight edge as this will ensure you have a nice flat installation rather than one that follows the contour of an uneven wall.

Use the packaging your panel came in to make up a template for cutting your sheet.

Use tile spacers to give you the correct spacing between sheets and your bench top.

Masking tape on the painted back of your sheet where a hole is to be drilled can help prevent starrng and damaging the paint.

When cutting your Akрил panel always cut through into a sacrificial board as this will help prevent vibration and chatter when cutting.

You can use small pieces of double sided tape to hold your panel in place while your silicone cures.

Akril Kitchen Splashbacks — Heat Tolerance

Induction

Figure 1

Akril can be used directly behind induction cook tops, reducing time and hassles associated with colour back glass.

Electric | Ceramic Cooktops

Figure 1

Akril can be used directly behind electric and ceramic cook tops when covered with cookware. An exposed cook top emits far greater radiant heat than when covered and this can damage your splashback. Therefore Akril is only covered under warranty against normal wear and tear.

Heat tolerance

Figure 2

Do not leave your hot plate unattended. Radiant heat will damage your Akril splashback and will void warranty.

Gas Cooktops

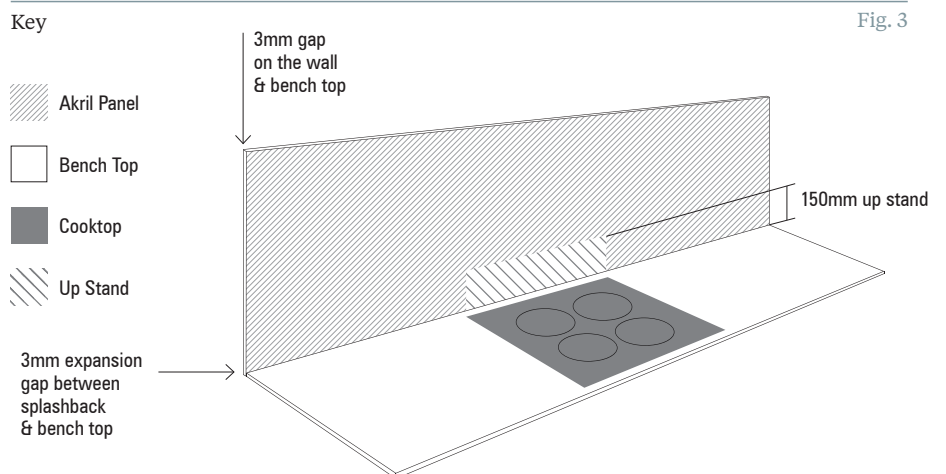
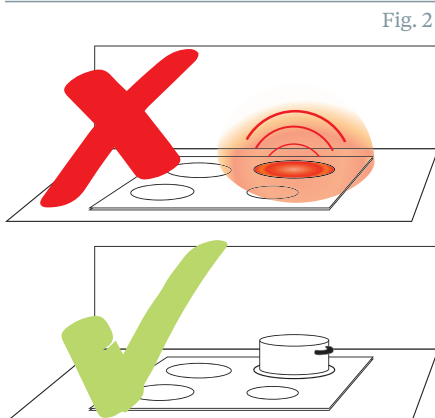
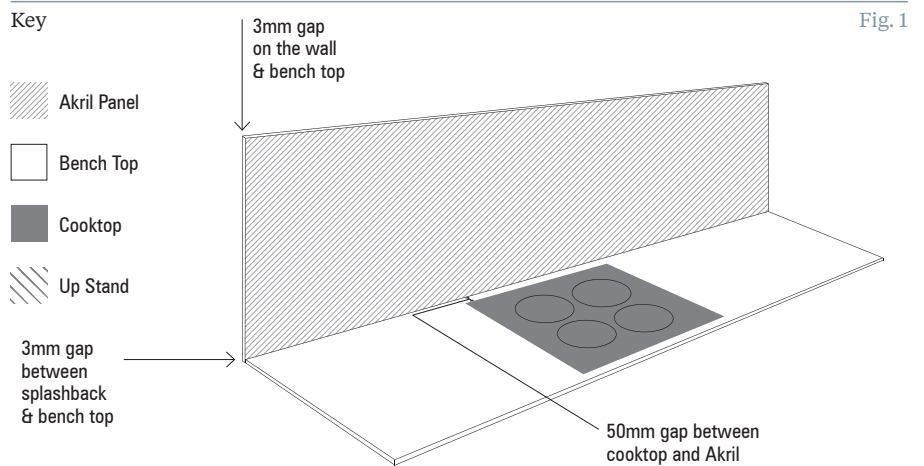
Figure 3

Akril must be used behind gas cooktops in conjunction with a non combustile materials such as glass, tiles or stainless steel. Akril requires a minimum 150mm up stand behind the gas cooktop to comply with Australian standards. Akril can be used above the 150mm non-combustible up stand. Alternatively stainless steel, glass or tiles can run all the way to the range hood.

Expansion

Figure 3

A 3mm expansion gap is required between your Bellessi polymer panel & any adjoining substrate. i.e. benchtop, glass filler panel, wall, additional polymer panels.



Cutting Your Akril Panel

Circular Saw

Always cut Akril on a flat secured surface. (Figure 5) With quality equipment, an excellent edge finish can be achieved with Akril.

The main factors in achieving the best possible outcome with a circular saw are:

Panel rigidity. Clamp the sheet on both sides of the cut.

Saw stability. Always use a good quality fence or guide to improve saw stability and straight-line cutting.

Saw bearing quality. The price of a circular saw can be a good indication of the quality of the bearings used inside. Cheaper saws often use bushes that offer little to limit the blade's sideways float, and will begin to wear quickly. This will have a dramatic impact on cut quality.

Blade selection. Always use a blade with the correct cutting geometry. Aluminum blades generally work well with Akril.

Reduce the cutting depth to allow the blade to cut approximately 5-7mm through the Akril, preferably cutting into a sacrificial MDF board or similar.

Hole Saws

Hole saws should be sharp, but the pilot drill should be changed to a multi-purpose drill bit. It is recommended to drill the hole saw half way through, then turn the Akril over and finish the hole.

This prevents the edge from "blowing out". De-bur the edge with 100-grit sandpaper.

Circular Blade Geometry and Conditions

Circular Blades for Akril.

Akril is best cut using fine-tooth Aluminum circular blades with either a "hollow ground" geometry or a "triple chip" blade with the following geometry and conditions;

Acrylic cutting blades are also suitable although at times are harder to source.

Blade Diameter (mm)	155-185mm
Number of Teeth	56+
Tooth Thickness	2-4mm
Clearance Angle	15-20°
Cutting Angle (Rake)	-5°
Cutting Angle of Setting Band	2-3°
Blade Speed (rpm)	3000-5000rpm
Surface Speed (m/min)	3000-4000m/min

Cutting of Penetrations

When measuring and marking for cut-outs around power outlet boxes etc, ensure enough clearance is given for the switch body and that the cover plates or bulkhead fittings will cover the finished cut-outs.

Always drill the corners for any cut out. It is imperative you have rounded internal corners for any cut out to prevent fracture or cracking.

Use an approved sealer to seal the edge and a 50mm perimeter of the painted side of any Cut Outs.

Drilling Akril with a Multi Purpose Bit

Figure 4

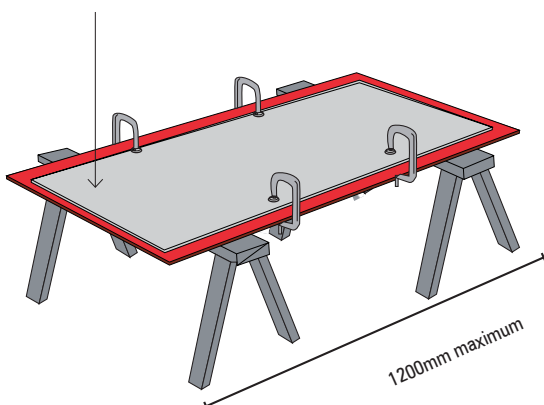
Akril can be drilled using a Sutton Multi Purpose drill bit (Figure 4.1) on a slow speed; being particularly careful to reduce the speed as you pass through the other side of your sheet of Akril.

Fig. 4.1. Sutton Multi purpose drill bit shown. Fig. 4



Fig. 4.1

Support Akril Panel back on plywood or MDF sheet or solid work top. Fig. 5



What Adhesive do I use?

Akril recommend the use of Fuller HBF660, Bostik V60 neutral cure translucent silicone when sealing and adhering your panels to the wall and sealing between them. Only premium quality neutral cure translucent 100% silicones should be used, this will ensure there is no bleed through the painted finish.

Always follow the adhesive manufacturers instructions when using silicones in wet areas. The use of non recommended or lower quality silicones will void your warranty. Always ensure to test your silicone in an inconspicuous area as silicones can contain fillers that may damage your Akрил panel.

Figure 1

Akril recommends the following procedure when installing your panel behind any cooktop. For areas around your cook top apply a 6mm thick bead of silicone vertically every 100mm the length of the panel. For directly behind your cook top apply 6mm bead of silicone vertically every 20mm the full width to a height of 350mm. When pressing your panel to the wall with your straight edge use enough force to compress the 6mm thick beads of silicone to approximately 2mm.

Note:
Remember to leave 3mm expansion gap between any adjoining surface & your Polymer panel

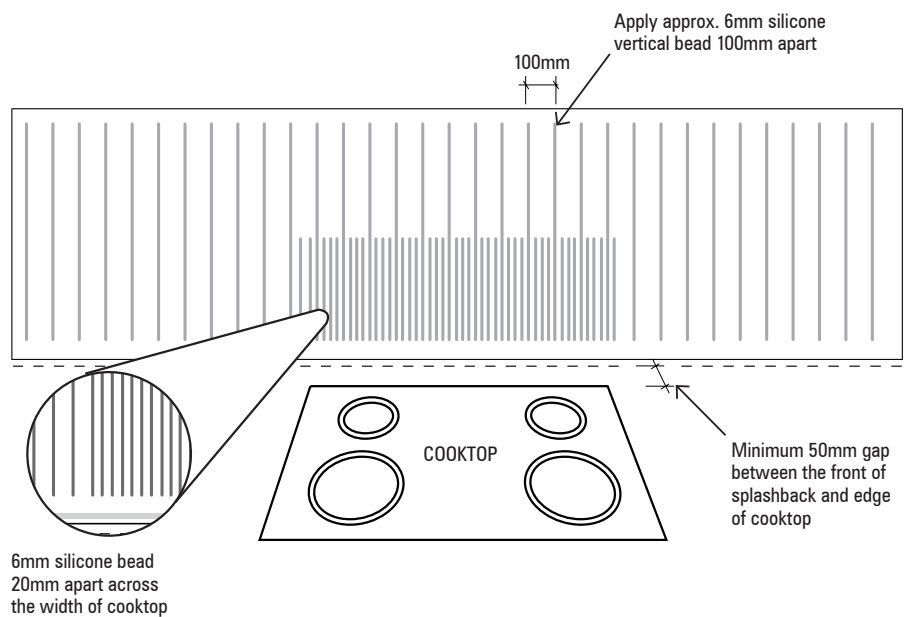
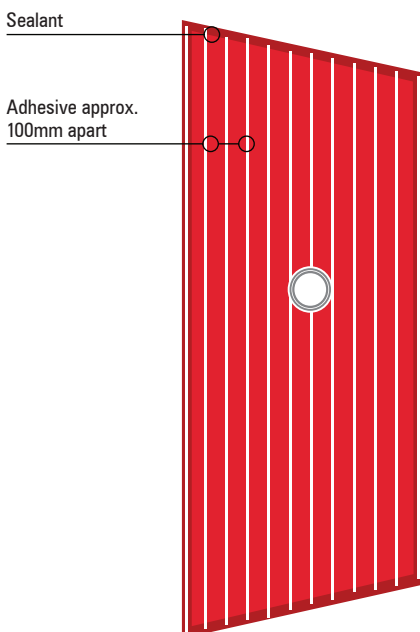


Fig. 1

Fig. 2



Adhering to the Wall

Figure 2

Each Akрил sheet will expand and contract 3mm into and out of the corner silicone joint.

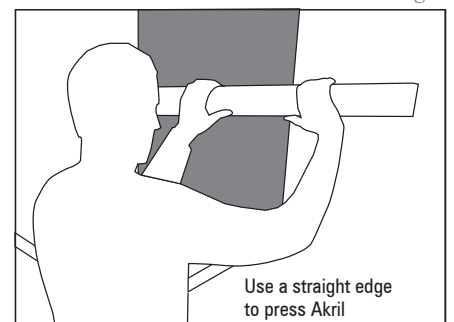
The first sheet will butt into the wall and allow for 3mm expansion while the second sheet will butt on to the first Akрил sheet allowing for expansion and contraction against the first Akрил sheet which was installed. This will reduce the visible join line to 3mm instead of 6mm.

TIP:

The use of small pieces of double sided tape can assist in holding your panel in place while the silicone cures.

When laying your Akрил panel to your wall with the use of your straight edge (figure 3) ensure sufficient force is used to reduce the gap between the panel and your wall to a maximum 2mm. This will ensure correct adhesion of your panel to the wall with your neutral cure silicone. Failure to do so could result in insufficient adhesion of your Akрил panel to your wall and void your warranty.

Fig. 3



Bathroom Installation

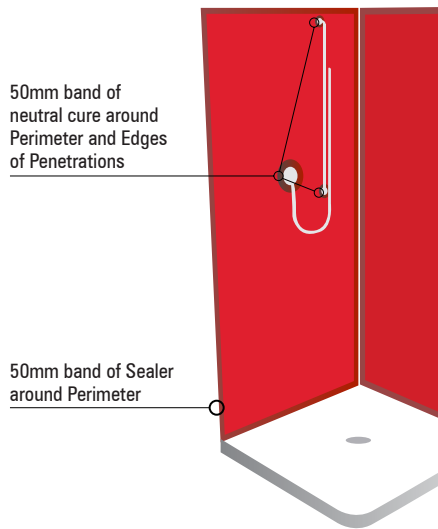
Sealing Edges, Perimeters and Cut Outs

Figure 3

It is important to protect the rear (coated) side of Akрил from moisture. Akрил needs to be sealed with a band of neutral cure silicone extending 50mm from the edge of the panel.

- | | |
|----------------------|--|
| This should include: | The perimeter of the sheet including any cut outs made |
| | Perimeter of any penetrations made i.e. tap holes |
| | The edges of these cut outs |

Fig. 3



Installing Akрил into a Shower Tray

Figure 4

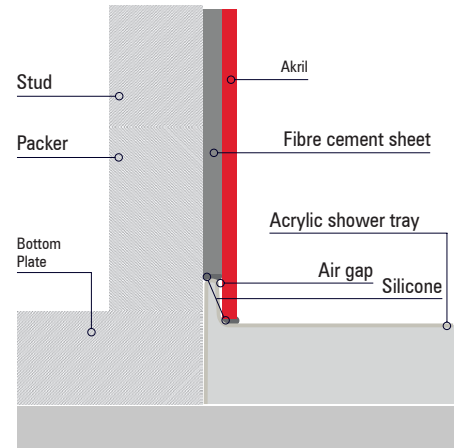
Acrylic shower trays are commonly installed using the system detailed below.

Acrylic tray should be mounted up to the bottom plate of wall in accordance with the manufacturer's installation instructions.

A manufacture's recommended water proof board should be laid against framing following manufacturer's instructions, down to within 6mm of shower tray.

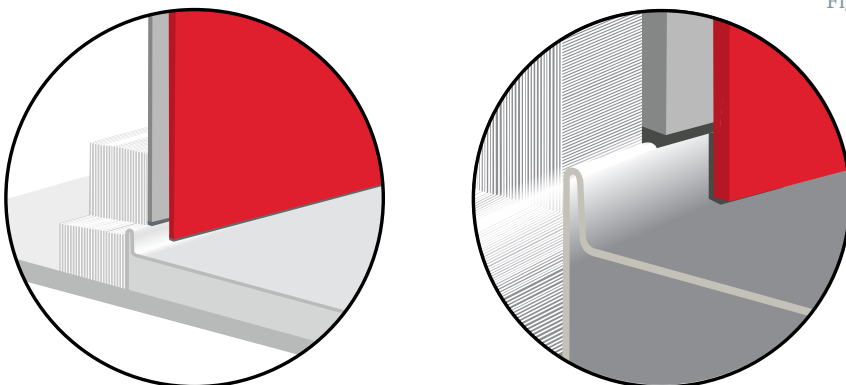
A neutral cure clear silicone should be installed between top of tray and bottom edge of wall lining as a bond break in a continuous bead, then smoothed off as illustrated.

Fig. 4



Note: The waterproofing system for your bathroom or shower must meet specific Australian standard building regulations.

Fig. 5



Akрил is then installed over the wall lining and over the up-stand lip of the tray, as illustrated above with a bead of flexible caulking between the back of Akрил and front of tray up-stand lip, and the top of tray and bottom edge of Akрил.

A gap should be left between the two caulking beads to act as a capillary break.



Freecall Akril
1800 46 47 28
—
www.akril.com.au

For your
complete guide
—
Installation
Instructions





Locations

NSW

Sydney - Head Office

19 Wonderland Drive,
Eastern Creek NSW 2766
Phone: 1300 668 371
Fax: 1300 668 372

Orange

38 Leewood Drive,
Orange NSW 2800
Phone: (02) 6362 9666
Fax: (02) 6361 4513

Wagga Wagga

1B Wentworth Street,
Wagga Wagga NSW 2650
Phone: (02) 6921 6499
Fax: (02) 6921 7411

Newcastle

93 Munibung Road,
Cardiff NSW 2285
Phone: (02) 4956 6626
Fax: (02) 4956 6619

Port Macquarie

40 Jindalee Road,
Port Macquarie NSW 2444
Phone: (02) 6581 2202
Fax: (02) 6581 2220

Wollongong

3 Lady Penryhn Drive,
Unanderra NSW 2526
Phone: (02) 4271 3266
Fax: (02) 4271 7800

QLD

Brisbane - Main Office

Unit 4/22
Eastern Service Road,
Stapylton QLD 4207
Phone: 1300 599 057
Fax: 1300 599 347

Townsville

1/33 Hugh Ryan Drive,
Garbutt QLD 4814
Phone: (07) 4775 3500
Fax: (07) 4779 3390

ACT

Fyshwick

Unit 10/145-147 Gladstone Street,
Fyshwick ACT 2609
Phone: (02) 6299 1100
Fax: (02) 6147 3505

VIC

Melbourne

30 Jersey Road,
Bayswater VIC 3153
Phone: (03) 9729 0666
Fax: (03) 9720 5175

NOVER & CO PTY LIMITED
ABN 15 001 706 038

19 WONDERLAND DRIVE, EASTERN CREEK NSW 2766
LOCKED BAG 90, WETHERILL PARK BUSINESS CENTRE NSW 1851

T 1300 668 371 F 1300 668 372 E info@nover.com.au

www.nover.com.au

NOVER