

HEAD OFFICE SYDNEY

Unit 3, 42-44 Redfern St,
Wetherill Park 2164
Phone: 02 9604 3000
Fax: 02 9604 8129
Sales fax: 02 9609 3694

WEBSITE

www.cowdroy.com.au

EMAIL

sales@cowdroy.com.au

NATIONAL CALL

1300 COWDROY (1300 269 376)

TROJAN

SLIDING DOOR TRACK SYSTEM | HEAVY DOMESTIC APPLICATIONS | 120KG PER DOOR

Cowdroy is an Australian company supplying industry leading door and window hardware to retail, trade and architectural outlets.

Established in 1890, Cowdroy specialises in door tracking systems, window and door seals, replacement wheels & rollers, sliding glass cabinet tracking systems and door hardware.

Cowdroy are makers of industry leading products such as the Robemaker wardrobe tracking system with patented Snap-Strip fitting and the Triumph door track range for sliding and multi-folding doors.

For all our product information visit the Cowdroy website at www.cowdroy.com.au

Melbourne

U1/34-36 Deans Ct,
Dandenong Sth, Vic 3175
Ph: (03) 9587 3195
Fax: (03) 9587 3196

Brisbane

U1/90 Pritchard Rd,
Virginia, QLD 4014
Ph: (07) 3865 7637
Fax: (07) 3865 7645

Perth

2 Meares Way
Canning Vale WA 6155
Ph: (08) 9248 4133
Fax: (08) 9248 4933

Adelaide

Unit 2 / 52 Wodonga St
Beverley SA 5009
Ph: (08) 8443 3370
Fax: (08) 8443 3066

Hobart

ACCESS HARDWARE Pty Ltd.
42 Invermay Road, Invermay,
Launceston. 7248
Phone: (03) 6323 5611
Fax: (03) 6331 2733

Townsville

U1/42 Carmel St,
Garbutt, QLD 4814
Ph: (07) 4779 5122
Fax: (07) 4725 5495

Auckland NZ

18 Kerwyn Ave, East Tamaki
Phone: (09) 274 7279
Fax: (09) 274 4453

Christchurch NZ

13B Parkhouse Rd, Wigram
Phone: (03) 943 2060
Fax: (03) 943 2061

CoWdroy
R/GHT ON TRACK

CoWdroy
R/GHT ON TRACK



TROJAN

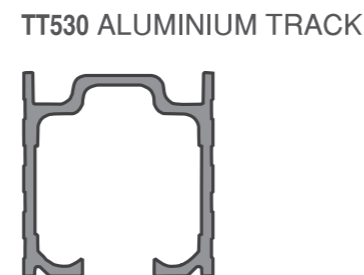
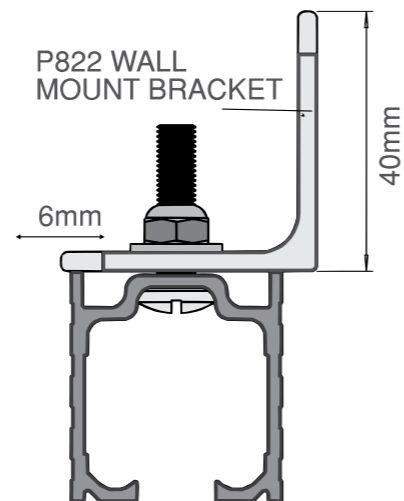
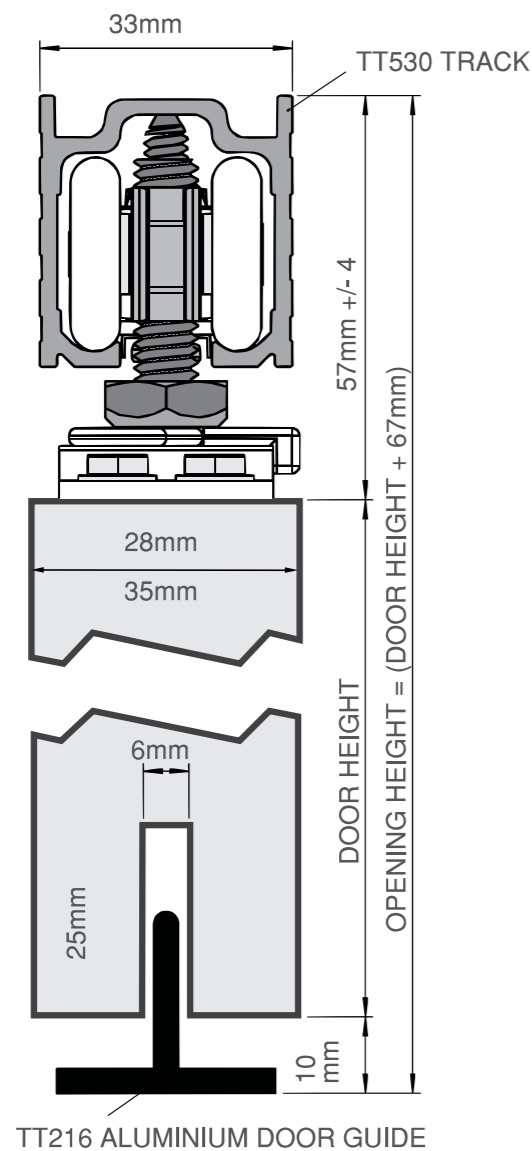
SLIDING DOOR TRACK SYSTEM | HEAVY DOMESTIC APPLICATIONS | 120KG PER DOOR

A smooth and quiet top-hung system designed for single internal doors in top-mount and wall-mount applications. The enclosed slim line track design allows for a more secure system as the wheels cannot jump off the track.

FEATURES

- Wall mounting bracket (P82200)
- Aluminium track and guide
- Internal doors wall mount & top mount
- Wrap around aluminium track - wheels cannot jump off track
- Nylon tyred 4 wheel carriages with lubricated steel ball bearings for smooth and quiet operation
- Anti-bounce end stop
- Suits door thickness 28mm and above

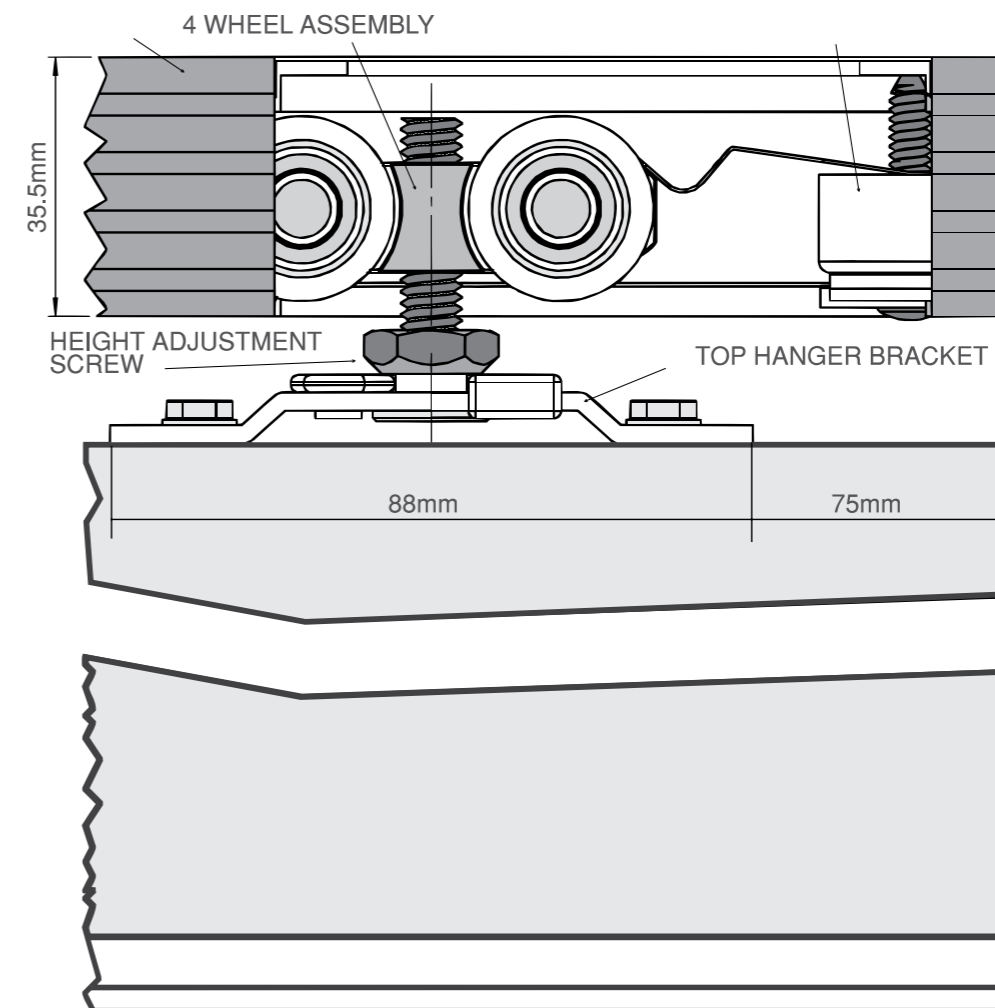
TECHNICAL SPECIFICATIONS	
Max Door Weight:	120kg per door
Door Thickness:	28mm minimum
Opening Height:	Door Height + 67mm (Top)
Opening Height:	Door Height + 137mm (Wall)



TROJAN

IDEAL USE

Ideal for solid-core doors and oversized doors in heavy domestic applications as well as light commercial and industrial applications.



Trojan Sliding Door Track System	
Product Code	Description
P531	Components pack for a single door excluding guide
TT530	Aluminium track - 4500mm and 6000mm
TT216	Aluminium heavy duty guide - 150mm
AW822	Track wall mounting bracket
P535	Optional Mariner stainless steel components pack for a single door excluding guide