

HÄFELE

FREE FAMILY FLAP FITTINGS

ENGINEERED BY HÄFELE





SLIMMER

LIGHTER

SIMPLER



THE ELEGANCE OF OPENING

FLAPS FOR **MAXIMUM**
FREEDOM IN MOTION:

The fittings of the new Free family give overhead flap doors new freedom in movement. This opens up more opportunities in the visual and technical design of furniture and has tangible benefits compared to hinged doors. But above all, it gives the furniture and the room undreamt of elegance and lightness. It doesn't matter whether a flap is lifted, tilted, swivelled or folded – it immediately provides added value. And last but not least, more efficiency when working.

More than 90 years of experience with furniture fittings, engineering expertise, and a close connection to the market and the people who work with furniture fittings on a daily basis led to the development of this product family. Inspired by the requirements of the market of tomorrow.

The Free family fulfils the demands for creative freedom and choice of material, design, ease of installation and convenient operation on a new level.



1. Free Flap

Classic flap function with opening angles of 90° and 107° for flaps with medium to low height. Less space required above. Compact dimensions for cabinets low in depth. Available in two models depending on the weight of the flap.

2. Free Fold-S

Ideal for flaps with higher fronts. Less space required in the room when opening, and little space required above. The handle is reachable at all times.

3. Free Swing

Elegant motion geometry. Swivels around cornice profiles and top-mounted lights. Perfectly suited for large flaps. Cabinet contents are easy to access.

4. Free Up

Hardly any space required in the room towards the front. Can be used in conjunction with upper-mounted cabinets or front panels. Creates practical storage compartments in tall cabinets, e.g. for electrical equipment. Cabinet contents are easy to access.



A close-up photograph of a Häfele Free fitting mechanism. The mechanism consists of several polished metal arms and joints, which are part of a larger system used for opening cabinet doors. The background is a plain, light-colored wall, and the lighting highlights the metallic texture and the complex geometry of the fitting.

INTELLIGENT USE OF SPACE

MORE DESIGN FREEDOM AND MORE APPLICATION
POSSIBILITIES: ENGINEERED BY HÄFELE.


Large fronts need a lot of room to move using conventional types of opening. The Free fittings vary the flap opening geometry in a creative way, so that the type of opening is geared to the amount of available space or is suitable for the intended application.

FLAP INSTEAD OF D

THE ADVANTAGES:


1. SEE AND REACH IN
FROM ALL  SIDES.

WITH  WIDE FRONT
BUMPING INTO OPEN

4. UNIFORM VERTICA
BETWEEN  WALL
UNITS WITH A WIDE S

5. FEATHER-LIGHT O

DOORS

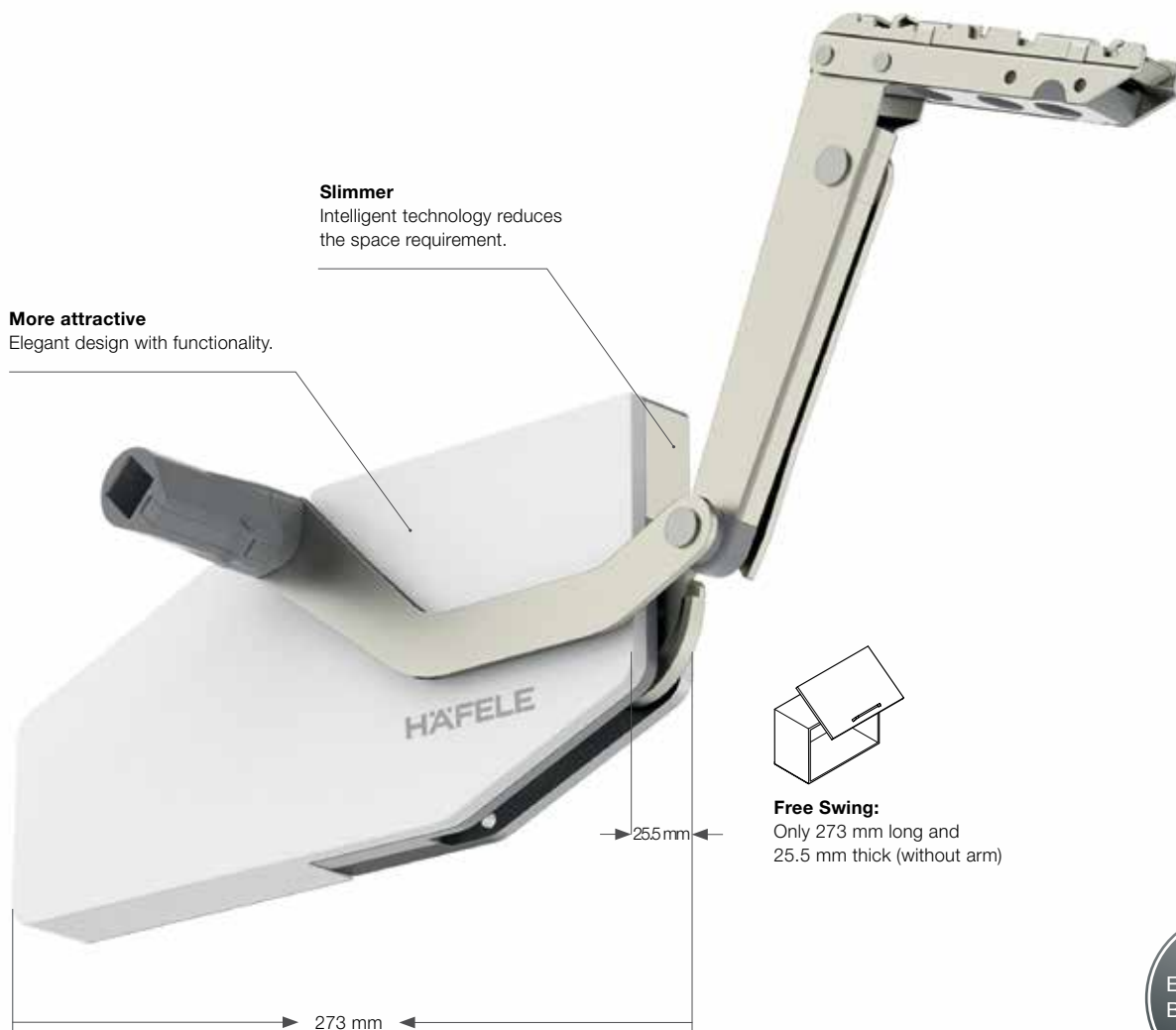
TO THE CABINET
2. MORE STABILITY
PANELS. 3. NO
 DOORS.

L GAP PATTERN
UNITS AND BASE
SYSTEM DIMENSION.
PERATION.



REDUCTION WITH CONSIDERABLE FUNCTIONALITY

SPACE-SAVING DESIGN: ENGINEERED BY HÄFELE.



Free fittings are hinge and lid stay in one – which reduces not just the amount of space that the hardware requires in the cabinet but it also looks significantly more elegant. The force development of the 3-spring system and the motion geometry of the fittings have been consistently developed, which has made the housings noticeably slimmer. A discreet appearance in the background.

Free fittings also open up new design options. All-glass front panels, different material thicknesses or mix of materials are possible at any time with Free Fold-S.

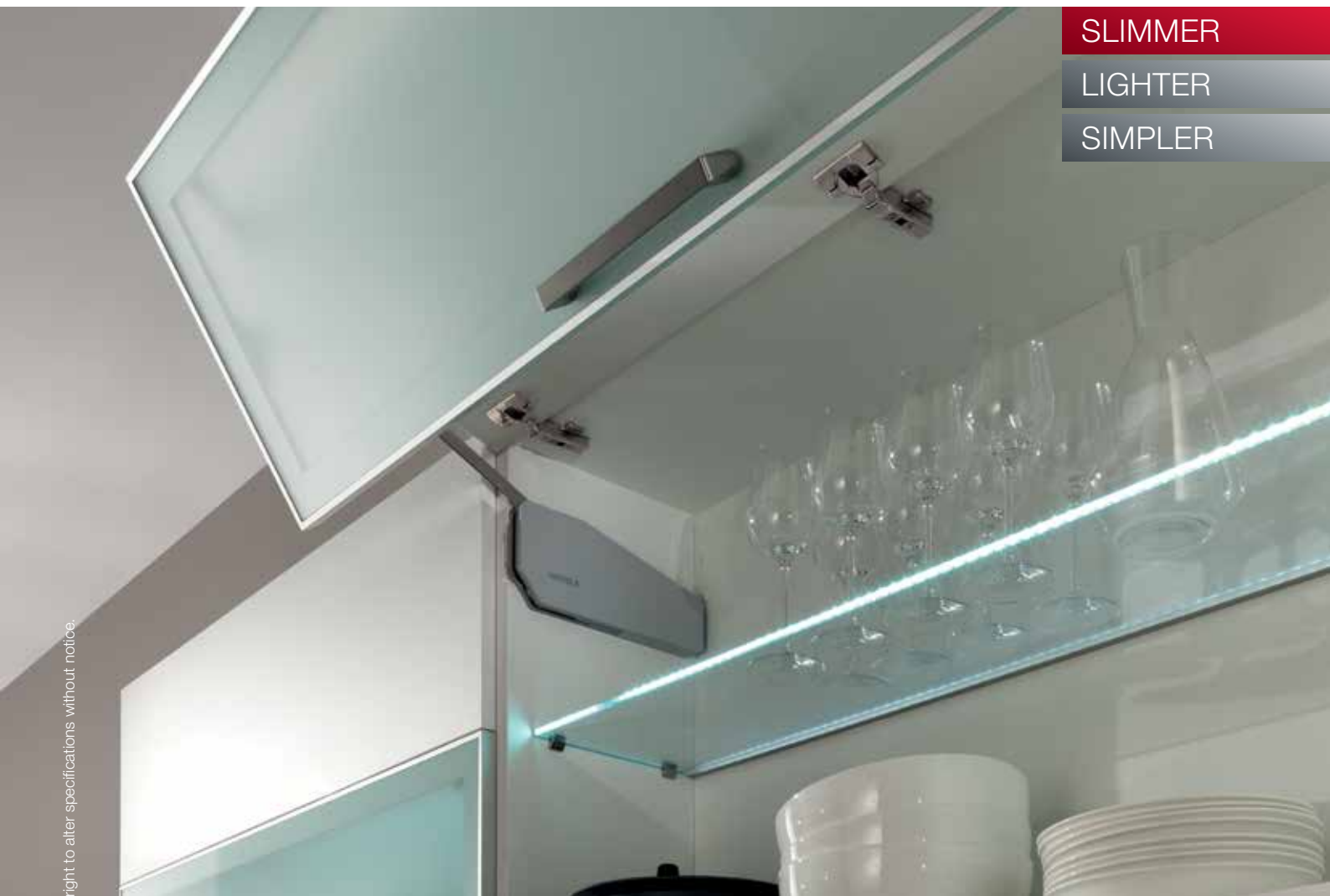
The stylish covers are available in discreet matt white finish. The Häfele logo, applied using high-quality printing technology, can be replaced with customer-specific logos. For custom covers please enquire with your Häfele account manager.



SLIMMER

LIGHTER

SIMPLER



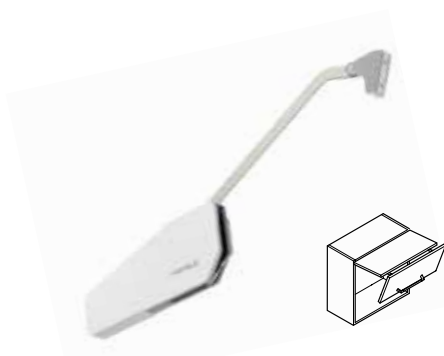
Dimensions in mm Dimensional data not binding, images are for illustrative purposes only. We reserve the right to alter specifications without notice.

More room – slimline, discreet fittings increase the amount of usable space in the interior.
 More design freedom – Free fittings make it possible to have many different front materials.

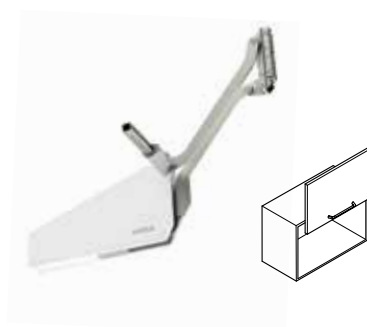


Free Flap 1.7:
 Only 108 mm long and 36 mm thick

Free Flap 3.15:
 Only 131 mm long and 36 mm thick



Free Fold-S:
 Only 270 mm long and 25.5 mm thick



Free Up:
 Only 277 mm long and 25.5 mm thick

ADDED VALUE FOR EVERYDAY LIFE

EASIER OPERATION WITH **COMFORT**: ENGINEERED BY HÄFELE.

The main focus of development was on maximum benefit for the customer. Easier operation quickly became topic number one. Häfele has created new standards for the Free family. Free turns opening and closing a cabinet into an experience.

1. FEATHER-LIGHT MOVEMENT

The flaps can be moved with a minimum amount of effort. When opening or closing. Even with heavy flaps.



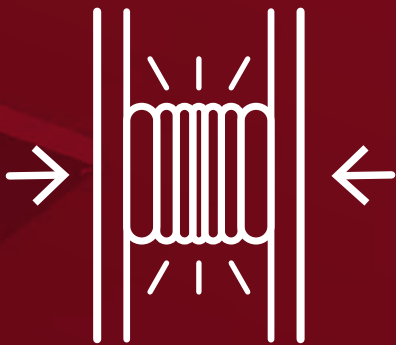
SLIMMER

LIGHTER

SIMPLER

2. SOFT OPENING AND CLOSING

Undampened stops are a thing of the past. The final movement is soft and silent in both directions.



3. MULTI-POSITION STOP

The flaps are held reliably in any position, regardless of the flap weight. Making the handle reachable at all times.



4. PUSH-TO-OPEN (FLAP)

For front panels without handles. A gentle push of the underside of the flap opens the flap by several centimetres (optional) for easy handling of the flap.



5. SAFETY-STOP (FOLD)

The connecting hinge of the Free Fold-S features a quick-release finger protection. Safety first.



AS EASY AS PIE

QUICKER INSTALLATION SAVES TIME: ENGINEERED BY HÄFELE.

1

An impressive advantage of the Free family is the globally unique simple and quick installation. From one-handed installation and screw fixing of the fittings to clip-on mounting of the flaps, all working steps are optimised in such a way that the fitter saves a noticeable amount of time – for more efficiency.



PLEXIGLASS DRILLING TEMPLATES

Precise locating of the drill holes is made easier.

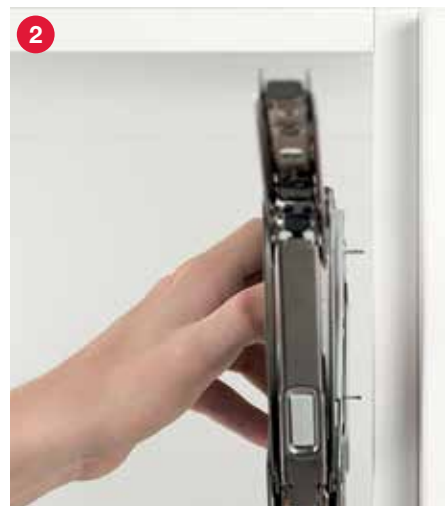
DRILLING JIG ARTICLE NUMBERS

Free Flap side panel:	372.91.023
Free Fold-S side panel:	372.38.050
Free Up side panel:	372.33.050
Free Swing side panel:	372.34.050
All Free Fittings front panel:	372.64.893
3 mm Drill bit:	001.25.791
5 mm Drill bit:	001.25.792

UNIQUE PLUGS

For installing the fitting with a secure hold with one hand.

2



SLIMMER

LIGHTER

SIMPLER

PRE-MOUNTED EURO SCREWS

Incorporated in the fitting, now just screw in.



3



GLOBALLY UNIQUE

CAN BE INSTALLED
WITH ONE HAND!



4

SYMMETRICAL SCREW-ON BRACKETS

For torsion-free fixing.



5

click

INSTALLATION WITH CLIP-ON SYSTEM

Flap mounting is simple and secure. Dismantling is also done without tools.

CONVENIENT ADJUSTMENT

The holding power of the fitting is adjusted using simple access from the front. The same applies to the optimum gap pattern – in three dimensions.



6



FREE FLAP

HINGE AND LID STAY IN ONE

- > Opening angles of 90° and 107°
- > Compact dimensions for cabinets with depths starting at 109 mm
- > Version 1.7 for flaps up to 450 mm height
- > Version 3.15 for flaps up to 650 mm height
- > Cover cap for 3.15 is also suitable for 1.7 (harmonious appearance in interior)
- > Suitable in combination with cornices
- > Push-to-open feature for front panels without handles



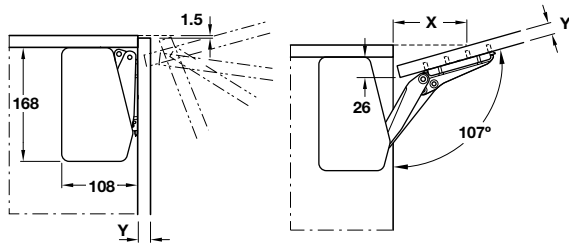
FREE FLAP

TECHNICAL DATA

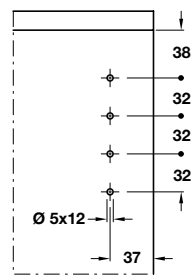


FREE FLAP 1.7

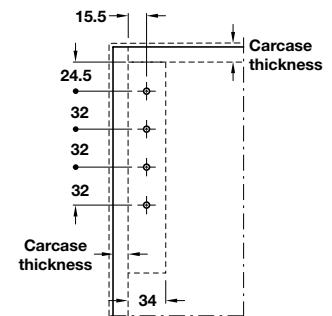
Installation



Carcase drilling

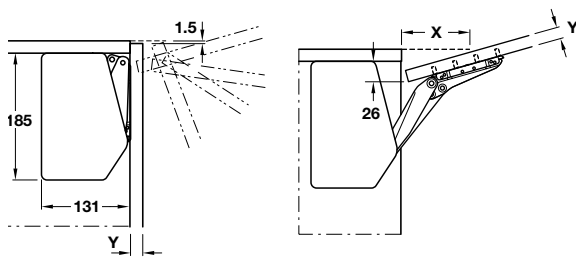


Front panel drilling

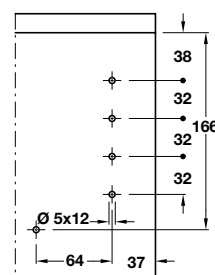


FREE FLAP 3.15

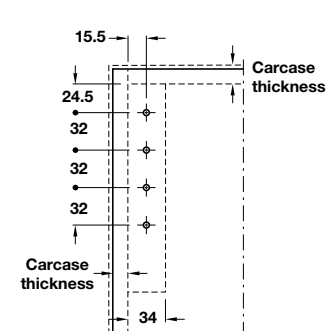
Installation



Carcase drilling



Front panel drilling



Front panel thickness Y (mm)				
16	19	22	26	28
Dimension X (mm)*				
83	74	64	52	46

*Based on 16 mm top panel thickness

FREE FLAP

FREE FLAP 1.7



Cabinet height (mm)	Flap weight (kg)		
	Model A	Model B	Model C
200	1.7-4.6	3.6-7.9	6.8-14.7
250	1.3-3.8	2.9-6.4	5.4-11.8
300	1.1-3.1	2.4-5.1	4.4-9.6
350	0.9-2.6	2.0-4.2	3.7-8.1
400	0.8-2.1	1.7-3.6	3.2-7.0
450	0.6-1.7	1.4-3.2	2.7-6.1

	Cat. No.
A	372.91.720
B	372.91.721
C	372.91.722

Packing: 1 set



Supplied with:

- > Free Flap 1.7 fitting
- > White cover caps
- > Opening angle restraint

FREE FLAP 3.15



Cabinet height (mm)	Flap weight (kg)			
	Model D	Model E	Model F	Model G
350	5.2-11.0	6.7-14.3	10.1-21.4	13.5-27.3
400	4.7-9.6	5.9-12.4	8.9-18.6	11.8-23.3
450	4.1-8.4	5.2-10.9	7.8-16.3	10.4-20.5
500	3.7-7.5	4.7-9.7	7.0-14.6	9.2-18.3
550	3.3-6.8	4.2-8.8	6.3-13.2	8.3-16.5
600	3.0-6.2	3.8-8.0	5.7-12.0	7.6-15.0
650	2.6-5.6	3.4-7.3	5.3-11.0	6.9-14.0

	Cat. No.
D	372.91.730
E	372.91.731
F	372.91.732
G	372.91.733

Packing: 1 set



Supplied with:

- > Free Flap 3.5 fitting
- > White cover caps
- > Integrated opening angle restraint

Dimensions in mm. Dimensional data not binding, images are for illustrative purposes only. We reserve the right to alter specifications without notice.

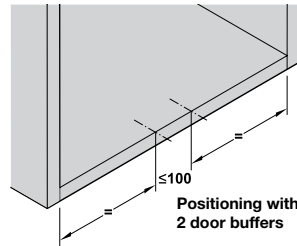
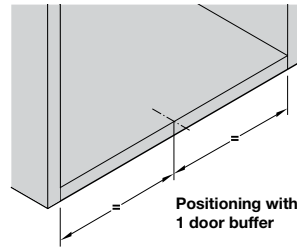


FREE FLAP PUSH TO OPEN

TECHNICAL DATA



- > Area of application: For front panels without handles, with Free Flap 1.7 and 3.15 flap fitting, up to a width of max. 1200 mm
- > Adjustment facility: Front gap ± 2 mm
- > Features: Release distance ± 2 mm



FRONT PANELS WITHOUT HANDLE (PUSH-TO-OPEN) FREE FLAP 1.7

Sample measurements table for max. flap weight when using push to open door buffers

Cabinet height (mm)	Model	Flap weight (kg)				
	Free Flap 1.7	1 x Type 1	1 x Type 2	1 x Type 3	2 x Type 2	2 x Type 3
200	A	1.7-3.1	3.1-4.6	-	-	-
	B	-	3.6-5.4	5.4-7.9	-	-
	C	-	-	6.8-8.3	8.3-12.3	12.3-14.7
225	A	1.5-2.9	2.9-4.1	-	-	-
	B	-	3.1-4.7	4.7-7.1	-	-
	C	-	-	6.0-7.1	7.1-11.6	11.6-13.1
250	A	1.3-3.1	3.1-3.8	-	-	-
	B	-	2.9-5.1	5.1-6.4	-	-
	C	-	-	5.4-6.9	6.9-10.5	10.5-11.8
275	A	1.2-3.0	3.0-3.3	-	-	-
	B	2.5-3.3	3.3-5.0	5.0-5.7	-	-
	C	-	-	4.8-6.8	6.8-10.0	10.0-10.6
300	A	1.1-2.7	2.7-3.1	-	-	-
	B	2.4-3.0	3.0-4.6	4.6-5.1	-	-
	C	-	-	4.4-6.6	6.9-9.6	-
325	A	1.0-2.6	2.6-2.8	-	-	-
	B	2.1-3.0	3.0-4.2	4.2-4.6	-	-
	C	-	-	4.0-6.0	6.0-8.8	-
350	A	0.9-2.4	2.4-2.6	-	-	-
	B	2.0-2.9	2.9-4.2	-	-	-
	C	-	3.7-3.9	3.9-5.9	5.9-8.1	-
375	A	0.9-2.3	-	-	-	-
	B	1.9-2.7	2.7-3.8	-	-	-
	C	-	3.5-3.9	3.9-5.7	5.7-7.5	-
400	A	0.8-2.1	-	-	-	-
	B	1.7-2.7	2.7-3.6	-	-	-
	C	-	3.2-3.8	3.8-5.6	5.6-7.0	-
425	A	0.7-1.9	-	-	-	-
	B	1.5-2.3	2.3-3.4	-	-	-
	C	-	2.9-4.0	4.0-5.0	5.0-6.5	-
450	A	0.6-1.7	-	-	-	-
	B	1.4-2.4	2.4-3.2	-	-	-
	C	-	2.7-3.3	3.3-5.1	5.1-6.1	-

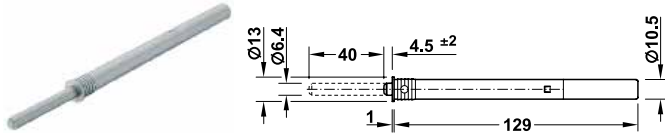
Dimensions in mm. Dimensional data not binding, images are for illustrative purposes only. We reserve the right to alter specifications without notice.

FREE FLAP PUSH TO OPEN

DOOR BUFFERS

- > Material: Grey RAL 7004 plastic with rubber buffer
- > Mounting: For mounting in drilled hole Ø11 mm

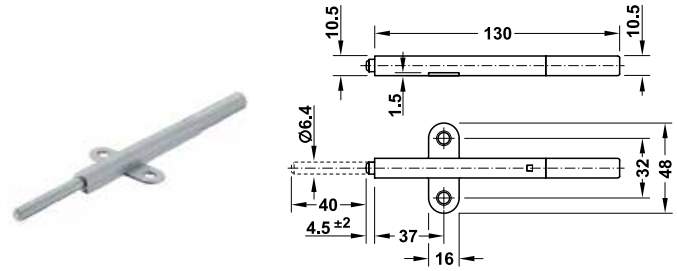
FOR MOUNTING IN DRILLED HOLES



Model	Force	Cat. No.
Type 1	17-23 N	372.91.480
Type 2	22-34 N	372.91.481
Type 3	26-48 N	372.91.482

Packing: 1 piece

FOR SCREW FIXING INTO SYSTEM 32 SERIES DRILLED HOLES



Model	Force	Cat. No.
Type 1	17-23 N	372.91.483
Type 2	22-34 N	372.91.484
Type 3	26-48 N	372.91.485

Packing: 1 piece

FRONT PANELS WITHOUT HANDLE (PUSH-TO-OPEN) FREE FLAP 3.15

Sample measurements table for max. flap weight when using push to open door buffers

Cabinet height (mm)	Model	Flap weight (kg)				
	Free Flap 3.15	1 x Type 1	1 x Type 2	1 x Type 3	2 x Type 2	2 x Type 3
350	D	–	5.2-8.1	8.1-11.0	–	–
	E	–	–	6.7-11.8	11.8-14.3	–
	F	–	–	–	10.1-17.9	17.9-21.4
	G	–	–	–	13.5-18.1	18.1-27.3
400	D	–	4.7-9.0	9.0-9.6	–	–
	E	–	5.9-7.9	7.9-11.6	11.6-12.4	–
	F	–	–	8.9-10.7	10.7-17.2	17.2-18.6
	G	–	–	11.8-12.3	12.3-17.9	17.9-23.3
450	D	4.1-5.0	5.0-8.4	–	–	–
	E	–	5.2-7.9	7.9-10.9	–	–
	F	–	–	7.8-10.2	10.2-16.3	–
	G	–	–	10.4-10.8	10.8-16.7	16.7-20.5
500	D	3.7-4.9	4.9-7.5	–	–	–
	E	–	4.7-7.8	7.8-9.7	–	–
	F	–	–	7.0-10.0	10.0-14.6	–
	G	–	–	9.2-10.7	10.7-16.0	16.0-18.3
550	D	3.3-4.9	4.9-6.8	–	–	–
	E	4.2-4.5	4.5-7.5	7.5-8.8	–	–
	F	–	6.3-6.8	6.8-9.7	9.7-13.2	–
	G	–	–	8.3-10.4	10.4-15.3	15.3-16.5
600	D	3.0-4.7	4.7-6.2	–	–	–
	E	3.8-4.2	4.2-7.2	7.2-8.0	–	–
	F	–	5.7-6.7	6.7-9.2	9.2-12.0	–
	G	–	–	7.6-10.2	10.2-15.0	–
650	D	2.6-4.1	4.1-5.6	–	–	–
	E	–	3.4-6.4	6.4-7.3	–	–
	F	–	–	5.3-8.4	8.4-11.0	–
	G	–	–	6.9-10.5	10.5-14.0	–



FREE FOLD-S

MINIMAL SPACE REQUIREMENT

- > Minimal space required inside the room
- > For cabinet depths of 270 mm and above
- > For flaps up to 1,040 mm in height and weighing up to 10.1 kg or up to 590 mm in height and weighing up to 20.3 kg
- > Flap front panel material combinations possible



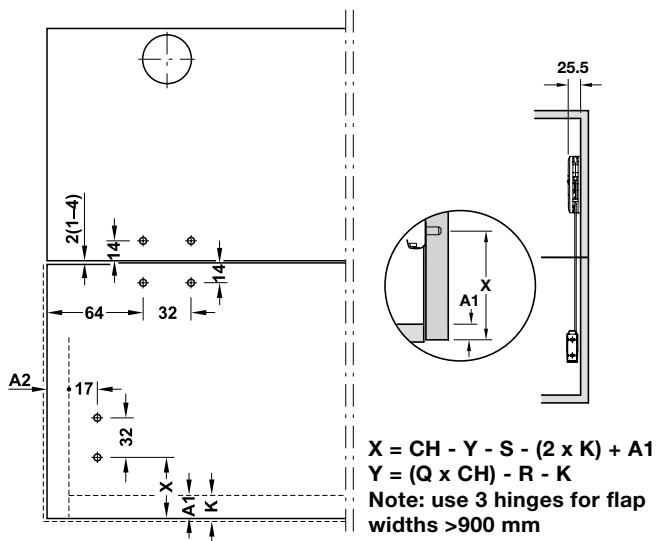
FREE FOLD-S

TECHNICAL DATA

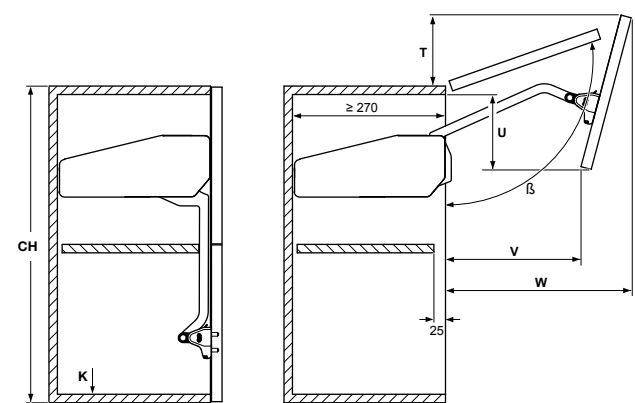


FOR 2 PIECE BI-FOLDING FLAP DOORS

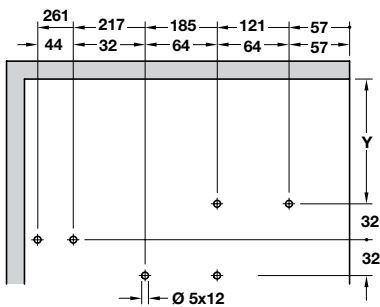
Front panel drilling



Installation



Carcase drilling



Note: Refer to table at top of page 23 for additional dimensional data.

FREE FOLD-S

FOR 2 PIECE BI-FOLDING FLAP DOORS



	B (°)	Q	R (mm)	S (mm)	T (mm)	U (mm)	V (mm)	W (mm)
450-480	~107-98	1.0	349	313	94-49	93-128	196-180	315-343
480-530	~107-96	1.1	426	328	100-37	100-155	203-186	328-370
520-590	~107-93	1.1	466	347	106-23	112-184	213-190	347-401
580-650	~108-95	1.2	589	377	119-40	126-197	227-207	375-430
650-730	~107-94	1.2	664	409	124-38	147-224	238-215	411-470
710-790	~108-95	1.2	736	439	136-46	161-233	250-219	439-500
770-840	~108-95	1.0	644	467	146-43	179-223	267-200	466-527
840-910	~108-98	1.2	882	501	154-70	195-248	272-231	502-559
910-970	~107-98	1.1	865	533	160-78	214-246	282-225	536-588
960-1010	~107-100	1.1	915	557	170-99	228-251	295-240	560-605
1000-1040	~107-102	1.1	954	576	177-120	239-256	306-256	578-616

Cabinet height (mm)	Front panel weight (kg)	Model	Cat. No.
450-480	2.8-5.1	B1FS	372.38.700
	5.1-10.2	B3FS	372.38.702
	9.7-16.9	B4FS	372.38.703
480-530	2.6-4.9	C1FS	372.38.710
	4.9-10.2	C3FS	372.38.712
	9.3-15.9	C4FS	372.38.713
520-590	2.4-4.8	D1FS	372.38.720
	4.8-9.0	D3FS	372.38.722
	7.8-15.2	D4FS	372.38.723
	9.7-20.3	D5FS	372.38.724
580-650	2.1-4.0	E1FS	372.38.730
	4.0-8.5	E3FS	372.38.732
	6.8-12.5	E4FS	372.38.733
	10.5-17.3	E5FS	372.38.734
650-730	2.0-3.7	F1FS	372.38.740
	3.7-7.4	F3FS	372.38.742
	7.0-11.8	F4FS	372.38.743
	10.2-17.2	F5FS	372.38.744
710-790	3.6-6.2	G3FS	372.38.752
	6.1-10.8	G4FS	372.38.753
	8.5-14.4	G5FS	372.38.754
770-840	3.5-6.0	H3FS	372.38.762
	5.1-9.8	H4FS	372.38.763
	7.5-14.1	H5FS	372.38.764
840-910	4.7-8.9	I4FS	372.38.773
	6.9-12.2	I5FS	372.38.774
910-970	4.7-8.0	J4FS	372.38.783
	6.4-11.5	J5FS	372.38.784
960-1010	4.6-8.3	K4FS	372.38.793
	6.5-10.7	K5FS	372.38.794
1000-1040	4.0-7.4	L4FS	372.38.798
	5.7-10.1	L5FS	372.38.799

Packing: 1 set



Supplied with:

- > Free Fold-S fitting
- > White cover caps
- > Connecting hinges (2 pieces supplied for all fittings suitable for front weight up to 10 kg, 3 pieces supplied for all fittings with front weight above 10 kg)

Dimensions in mm Dimensional data not binding, images are for illustrative purposes only. We reserve the right to alter specifications without notice.

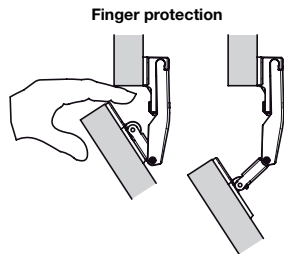
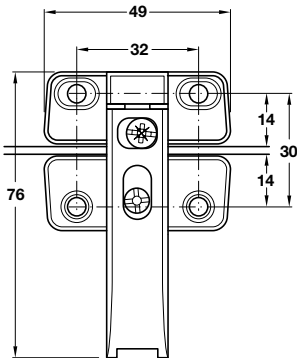


FREE FOLD-S

FOR 2 PIECE BI-FOLDING FLAP DOORS CONNECTING HINGE



Drilling pattern



To avoid injuries the hinge comes apart when fingers get trapped unintentionally in the gap of the flap

- > Area of application: For use with Free Fold-S fitting
For wooden flaps
- > Features: With finger protection function
- > Material: Zinc-alloy
- > Adjustment facility: 3-way adjustment: ± 2 mm side adjustment,
-1 to +2 mm gap adjustment, ± 1.5 mm depth adjustment

Quantity of hinges required

For door width (mm)	No. of hinges
Up to 600	2
Between 600-800	2-3
Over 800	3

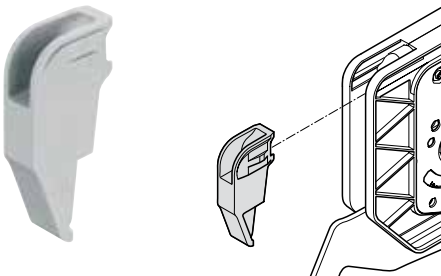
Finish	Cat. No.
Nickel-plated	372.64.796

Packing: 1 piece



Note:
Order fixing screws separately.

OPENING ANGLE RESTRAINT

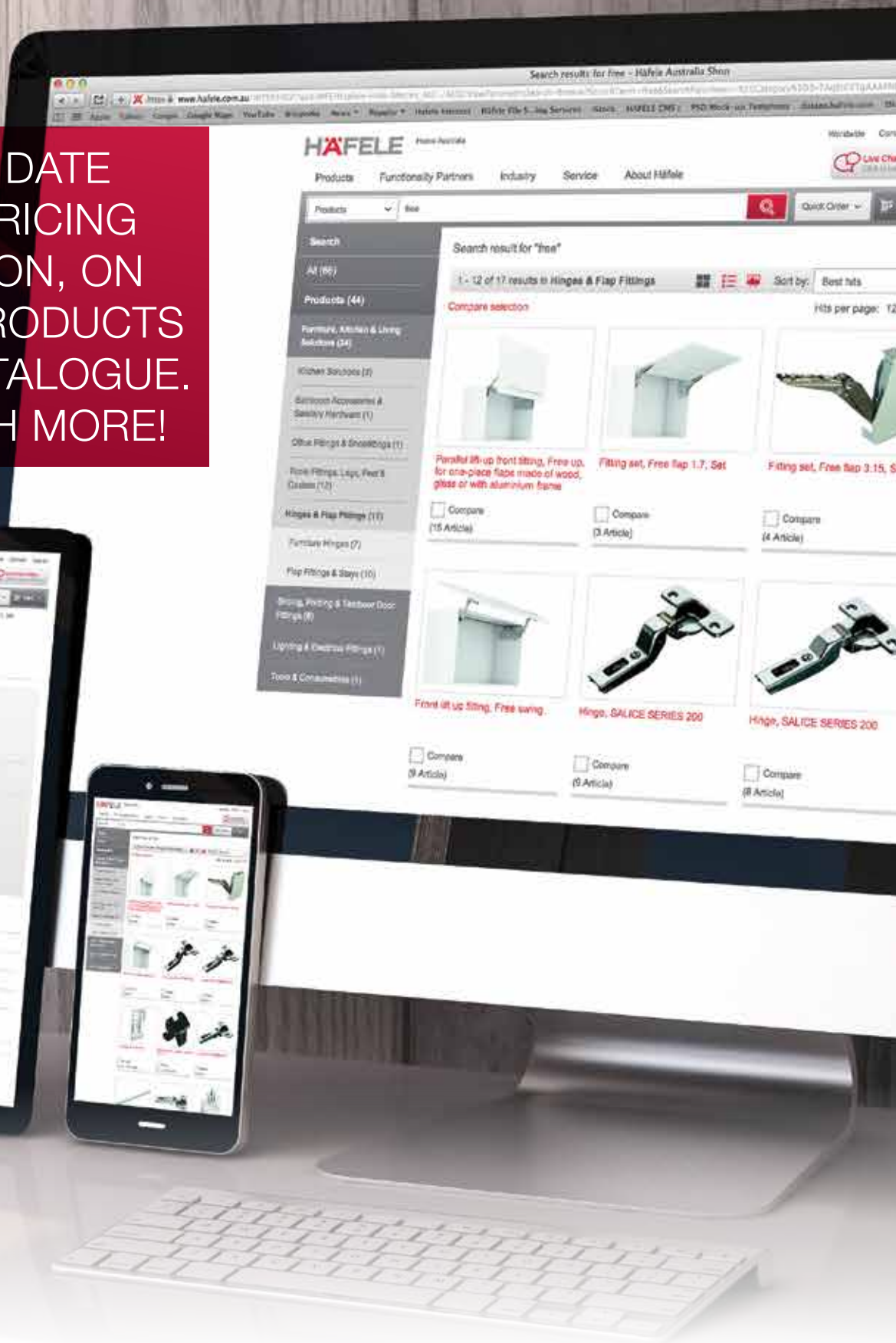
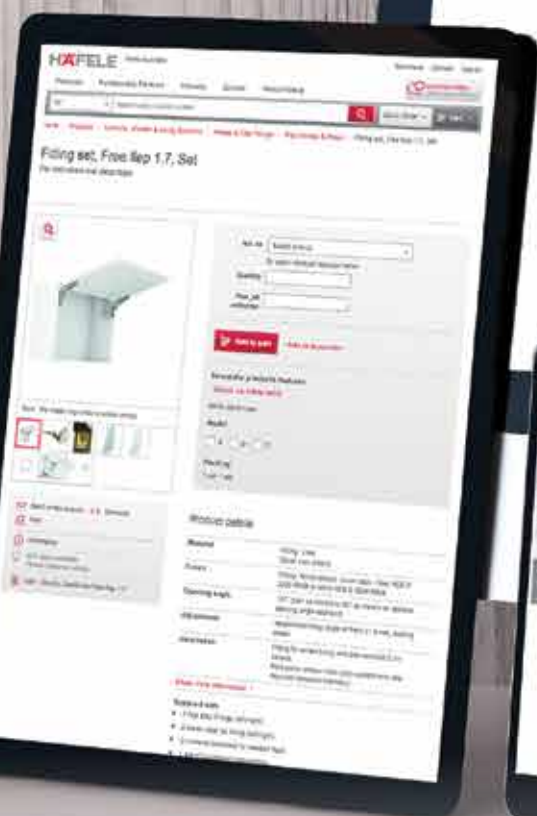


- > Area of application: For use with Free Fold-S fitting
- > Features: Restricts the opening angle to 90° for low level applications
- > Material: Plastic

Finish	Cat. No.
Grey	372.37.060

Packing: 1 set (2 pieces required per flap fitting set)

GET UP TO DATE
STOCK & PRICING
INFORMATION, ON
ALL THE PRODUCTS
IN THIS CATALOGUE.
PLUS MUCH MORE!



THE NEW HAFELE.COM.AU!

REGISTER NOW!



FREE UP

MAXIMUM ACCESS TO CABINET

- > Hardly any space required in the room towards the front
- > Can be used in combination with upper-mounted cabinets or front panels
- > For cabinet depths from 277 mm and above
- > For flaps up to 600 mm in height and weighing up to 14.6 kg or up to 420 mm in height and up to 19.6 kg

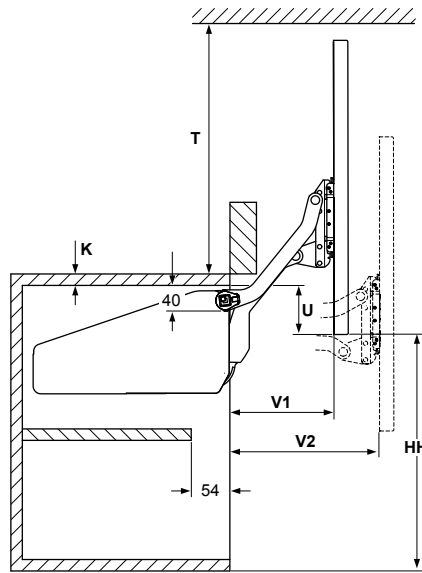
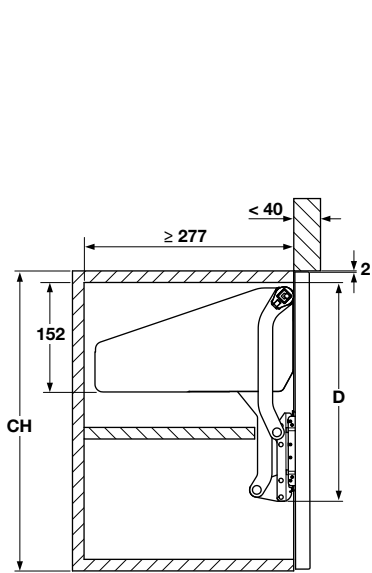
FREE UP

TECHNICAL DATA

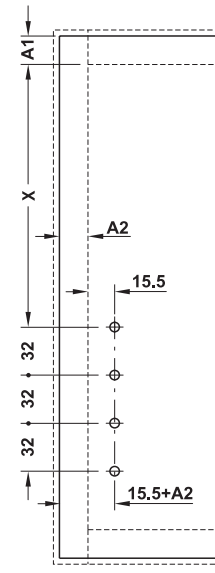


FOR FREE UP

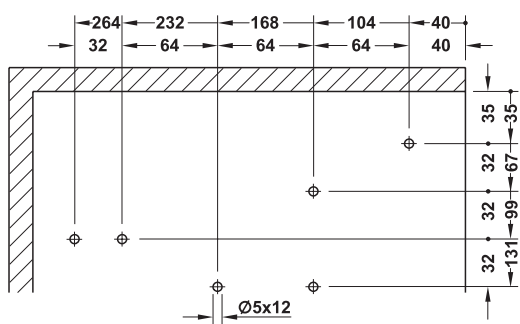
Installation



Front panel drilling



Carcase drilling pattern



Dimensions in mm. Dimensional data not binding, images are for illustrative purposes only. We reserve the right to alter specifications without notice.

FREE UP

FREE UP FLAP FITTING

CH Cabinet height (mm)	D	U	HH	T	V1	V2
320-360	274.5	CH - HH - K	278	≥281	128	177
345-420	302.5	CH - HH - K	328	≥333	146	205
380-500	337.5	CH - HH - K	390	≥393	168	240
430-600	382.5	CH - HH - K	470	≥473	196	284

Cabinet height (mm)	Internal height (mm)	Front panel weight (kg)	Model	Cat. No.
320-360	≥280	3.0-5.7	O1US	372.33.700
		4.8-9.3	O2US	372.33.701
		8.7-16.5	O3US	372.33.702
345-420	≥308	2.4-4.8	P1US	372.33.710
		4.1-8.0	P2US	372.33.711
		7.4-14.0	P3US	372.33.712
		11.0-19.6	P4US	372.33.713
380-500	≥343	2.0-3.8	Q1US	372.33.720
		3.4-6.7	Q2US	372.33.721
		6.3-11.8	Q3US	372.33.722
		9.3-17.4	Q4US	372.33.723
430-600	≥388	1.6-3.3	R1US	372.33.730
		2.6-5.5	R2US	372.33.731
		5.0-9.7	R3US	372.33.732
		7.4-14.6	R4US	372.33.733



Supplied with:

- > Free Up fitting
- > White cover caps
- > Free Up crossbar to suit cabinet width 1,200 mm

Free Up crossbar	T Carcase thickness (mm)	CW Cabinet width (mm)	Length (mm)	Cat. No.
	16	600	474	372.33.692
		900	774	372.33.694
		1,200	1,074	372.33.696
		1,800	1,674	372.33.698
		CW	CW - (2 x T) - 88	





FREE SWING

ELEGANT MOTION IN THE ROOM

- > Swivels around cornice profiles and top-mounted lights
- > Extremely suitable for large flaps
- > Cabinet contents are easy to access
- > For cabinet depths from 273 mm and above
- > For flaps up to 800 mm in height and weighing up to 15.3 kg, or up to 670 mm in height and weighing up to 17.1 kg

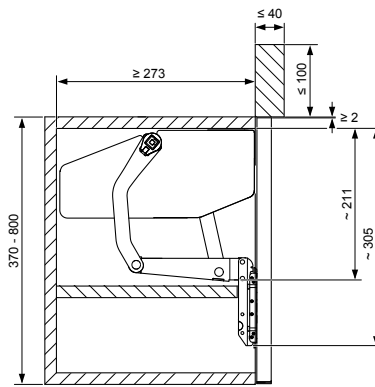
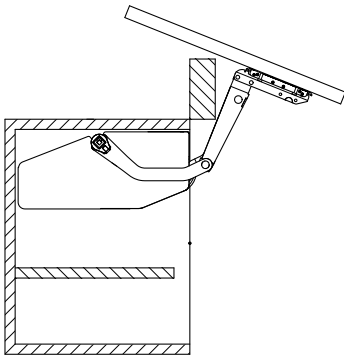


FREE SWING
 TECHNICAL DATA

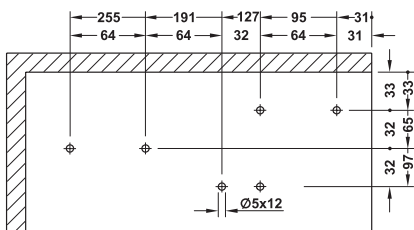


FOR FREE SWING

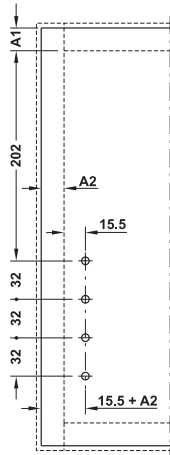
Installation



Carcase drilling pattern



Front panel drilling



Dimensions in mm Dimensional data not binding, images are for illustrative purposes only. We reserve the right to alter specifications without notice.

FREE SWING

FREE SWING FLAP FITTING

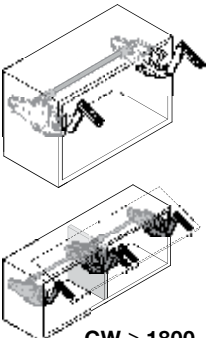


Cabinet height (mm)	Front panel weight (kg)	Model	Cat. No.
370	1.8–4.0	S1SW	372.34.700
	3.4–6.5	S4SW	372.34.701
	5.2–10.3	S7SW	372.34.702
400	1.8–3.9	S1SW	372.34.700
	3.3–6.3	S4SW	372.34.701
	5.0–10.0	S7SW	372.34.702
450	1.9–3.7	S1SW	372.34.700
	3.2–6.1	S4SW	372.34.701
	4.8–9.4	S7SW	372.34.702
500	1.9–3.5	S1SW	372.34.700
	3.0–5.8	S4SW	372.34.701
	4.5–8.9	S7SW	372.34.702
	2.5–5.9	S2SW	372.34.710
	5.0–10.0	S5SW	372.34.711
	8.2–15.9	S8SW	372.34.712
550	2.5–5.6	S2SW	372.34.710
	4.8–9.6	S5SW	372.34.711
	7.8–15.2	S8SW	372.34.712
600	2.5–5.3	S2SW	372.34.710
	4.7–9.3	S5SW	372.34.711
	7.5–14.5	S8SW	372.34.712
670	2.5–4.8	S2SW	372.34.710
	4.5–8.8	S5SW	372.34.711
	7.0–13.5	S8SW	372.34.712
	3.2–6.5	S3SW	372.34.720
	5.7–11.3	S6SW	372.34.721
	8.5–17.1	S9SW	372.34.722
700	3.1–6.3	S3SW	372.34.720
	5.6–11.1	S6SW	372.34.721
	8.4–16.7	S9SW	372.34.722
750	3.0–6.0	S3SW	372.34.720
	5.4–10.7	S6SW	372.34.721
	8.2–16.0	S9SW	372.34.722
800	2.9–5.7	S3SW	372.34.720
	5.3–10.3	S6SW	372.34.721
	8.0–15.3	S9SW	372.34.722

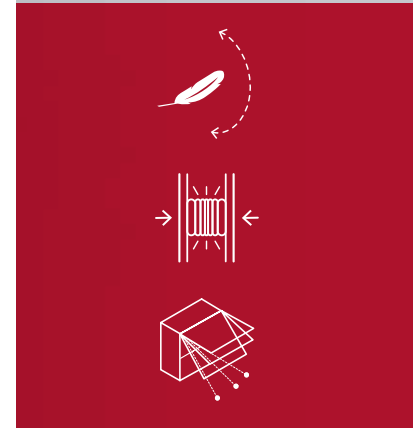


Supplied with:

- > Free Swing fitting
- > White cover caps
- > Free Swing crossbar to suit cabinet width 1,200 mm

Free Swing crossbar	T Carcase thickness (mm)	CW Cabinet width (mm)	Length (mm)	Cat. No.
 <p>CW ≥ 1800</p>	16	600	474	372.33.692
		900	774	372.33.694
		1,200	1,074	372.33.696
		1,800	1,674	372.33.698
		CW	CW - (2 x T) - 88	

Dimensions in mm Dimensional data not binding, images are for illustrative purposes only. We reserve the right to alter specifications without notice.



FREE E-DRIVE

NEW. CONVENIENT.
FOR THE HIGHEST DEMANDS.



Free E-Drive impresses with its elegant design, its smooth motion and its easy installation. The electric drive solution is perfectly adapted for all Free fittings and extends the multiple award-winning Free Family with the Free Flap E, Free Fold-S E, Free Up E and Free Swing E fittings.

Thanks to its many years of experience in the development of fittings, Häfele is able to offer an E-Drive solution that can be installed and put into operation easily.

- > Restriction-free upgrade of Free fittings with E-drive (installation position and application range remain unaffected)
- > Intuitive activation by slight push on the flap
- > Closing of the flap with push-button sender
- > Safe due to integrated auto-stop, collision avoidance and free swing function
- > Extremely silent and smooth running properties
- > Connection option for a 24 V Loox light (on / off determined by flap position)
- > Use of the standard Loox mains lead

Coming soon, visit www.hafele.com.au for more information.

FREE FLAP H 1.5

THE ALL PURPOSE FITTING FOR WALL UNITS



Attractive diversity of appearance

- > Available as all-plastic version or with metal support arm; housing colour available in white

Multi-functionality in the application

- > Variable standard product provides versatile functionality for front panels with and without handles: by changing the installation position and combining with additional components, both conventional applications with a handle and push-to-open applications without a handle can be realised
- > For one-sided or two-sided application (depends on the flap width and weight)
- > Can be used in combination with standard 110° concealed hinges (Push hinges for push-to-open applications; damped hinges for soft closing)

Easy handling

- > Installation is simple, rational and tool-less
- > The holding power can be individually adjusted to suit the respective flap weight and the required function

FREE FLAP H 1.5

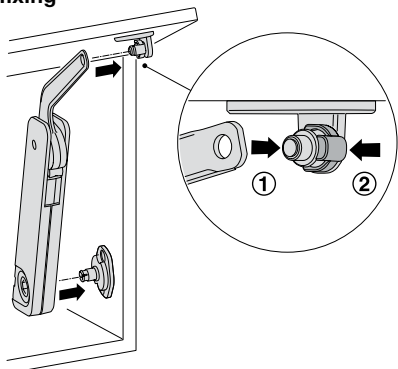
INFORMATION

Differentiation of the different versions

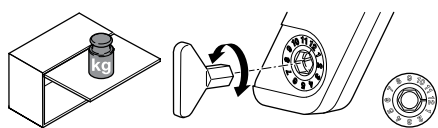
Colour-coded adjustment nut for differentiation of model: A (grey), B (beige), C (white) and D (black)



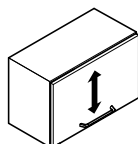
Quick fixing



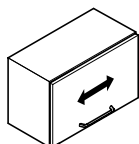
Holding power adjustment with SW10 hex key



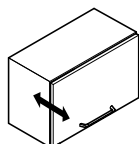
Note:
Use position 1–8 for adjusting the holding power.
Use position 9–12 to re-adjust flap (if necessary).



Height adjustment*



Side adjustment*

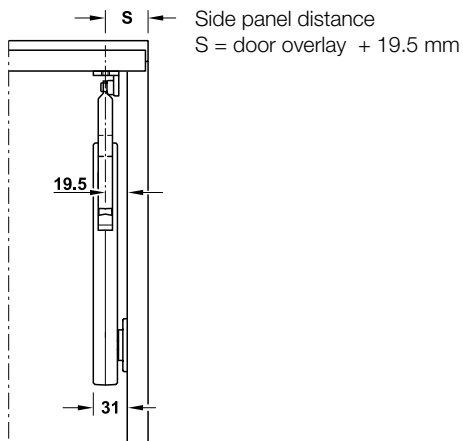


Tilting angle adjustment*

* Depends on the concealed hinges that are used

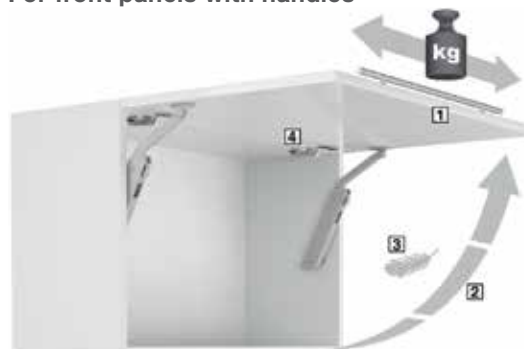
Space requirement at the side and side panel distance

For front panel screw-on bracket, applies to all 3 application options



APPLICATION OPTIONS

For front panels with handles



- 1 For front panels with handle
- 2 Flap locks reliably in any position
- 3 Reduced amount of manual force required for opening the flap by means of fitting with movement assistance
- 4 For use in combination with standard concealed hinge; soft close provided by hinges with integrated soft closing mechanism

For front panels without handles

Free flap H 1.5 – Touch Opening

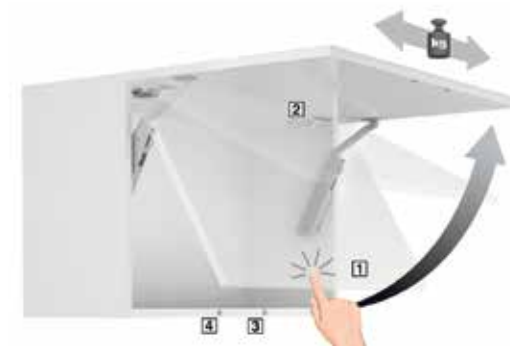
Mounting version for opening the flap slightly, with multi-position stop



- 1 A gentle push opens the flap slightly, it can then be fully opened and closed again by hand. The front is locked reliably in any position.
- 2 For use in combination with Salice Push concealed hinges
- 3 Held closed by magnetic door catch and counterplate on the front panel
- 4 Additional magnet for holding in closed position (optional)

Free flap H 1.5 – Push-to-open

Mounting version for automatic complete opening



- 1 Slight pressure on the front opens the flap completely as far as the end position
- 2 For use in combination with Salice Push concealed hinges
- 3 Held closed by magnetic door catch and counterplate on the front panel
- 4 Additional magnet for holding in closed position (optional)

FREE FLAP H 1.5 COMPLETE SETS

FOR FLAPS MADE FROM WOOD OR WITH ALUMINIUM FRAME
INDIVIDUAL SET FOR ONE-SIDED APPLICATION



Left hand or right hand mounting



Model	Mounting	Plastic support arm	Metal support arm
A	Right	372.39.800	372.28.800
	Left	372.39.801	372.28.801
B	Right	372.39.810	372.28.810
	Left	372.39.811	372.28.811
C	Right	372.39.820	372.28.820
	Left	372.39.821	372.28.821
D	Right	372.39.830	372.28.830
	Left	372.39.831	372.28.831



Note:

Use two Free flap H 1.5 fittings from cabinet width of 600 mm and above.



Supplied with:

- > 1 Lid stay with cover cap
- > 1 Screw-on bracket for cabinet
- > 1 Screw-on bracket for flap
- > 1 Hex key, SW10, plastic
- > 1 Set of installation instructions

FREE FLAP H 1.5 ACCESSORIES

COVER CAP FOR LOAD BEARING CAPACITY
 ADJUSTMENT FACILITY



Colour	Mounting	Cat. No.
White	Right	372.39.002
	Left	372.39.003

SW10 HEX KEY



Colour	Material	Cat. No.
Grey	Plastic	235.79.301

SCREW-ON BRACKET FOR CABINET



Colour	Mounting	Cat. No.
Grey	On both sides	372.39.017

SCREW-ON BRACKET FOR FLAP

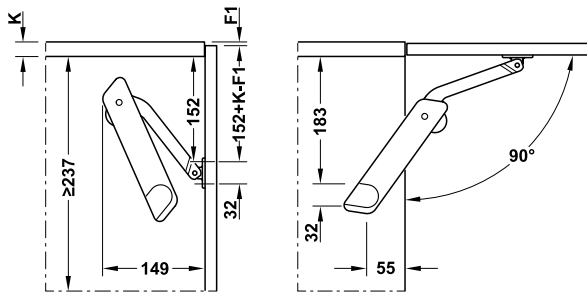


Colour	Mounting	Cat. No.
Grey	On both sides	372.39.015

FREE FLAP H 1.5

APPLICATION FOR FRONT PANELS WITH HANDLES
STANDARD MOUNTING FOR POWER ASSISTED OPENING OF FLAP

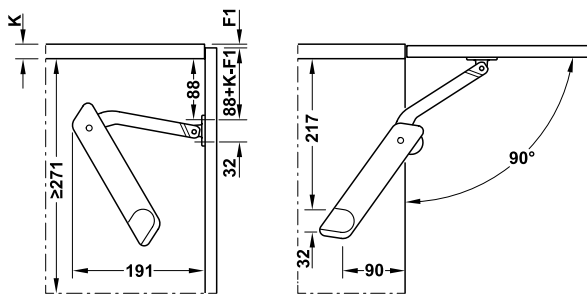
Opening angle 90°



Cabinet height (mm)	Flap weight (kg)		
	Model A	Model B	Model D
275	2.8-3.8	3.5-6.0	5.8-10.5
300	2.2-3.4	3.3-5.7	5.2-9.0
350	2.1-2.9	2.7-4.9	4.8-8.0
400	1.6-2.3	2.3-4.6	4.3-7.9
450	1.3-2.2	2.0-3.8	3.8-6.3
500	1.2-2.0	1.7-3.4	3.4-6.0
550	1.2-1.9	1.7-3.0	3.0-5.1
600	0.9-1.6	1.6-3.0	3.0-4.7

APPLICATION FOR FRONT PANELS WITHOUT HANDLES
TOUCH OPEN MOUNTING FOR OPENING THE FLAP SLIGHTLY
 Manual operation with multi-position stop

Opening angle 90°

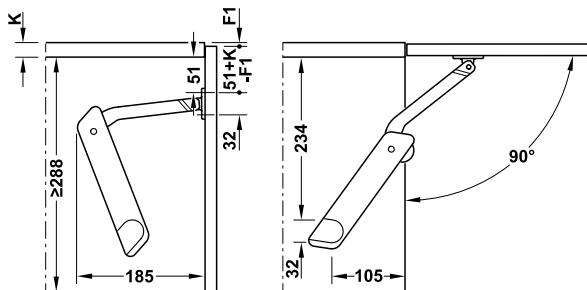


Cabinet height (mm)	Flap weight (kg)		
	Model B	Model C	Model D
350	2.4-4.2	3.4-5.2*	4.7-6.9*
400	1.5-3.2	3.1-4.9*	3.9-5.6*
450	1.5-2.6	2.6-4.2*	3.6-5.4*
500	1.4-2.4	2.4-3.6	3.4-5.0
550	1.3-2.1	1.9-3.2	2.6-4.6
600	1.3-1.9	1.8-3.1	-

*It is recommended to use a standard Salice Push Catch and a supplementary Salice Push Catch for these applications.

PUSH-TO-OPEN MOUNTING FOR AUTOMATIC OPENING

Opening angle 90°



Cabinet height (mm)	Flap weight (kg)		
	Model B	Model C	Model D
350	1.7-2.5	2.1-3.2	3.0-4.0
400	1.3-1.9	1.9-3.0	2.8-4.0
450	1.1-1.5	1.5-2.6	2.2-3.2
500	-	1.4-2.4	2.0-2.9
550	-	1.3-2.2	1.8-2.8
600	-	1.3-1.7	1.5-2.5



Note:

Please utilise a Salice magnetic Push Catch with all front panels without handles.

MAXI

FOR MID SIZED ONE PIECE FLAPS



Maxi

- > Compact, strong flap fitting with multiple application possibilities
- > Effortless flap opening of even heavy front panels weighing up to 20 kg
- > 3 different colours: Nickel, White and Black
- > Minimal space required inside the cabinet (max. 184 mm deep x 26 mm wide)
- > Push-to-open: Opens all the way with just a gentle push on the front*
- > Touch opening: A gentle push on the front panel opens it slightly, after which it is opened and closed by hand with multi-position stop*
- > Power assisted opening: Less manual force required to open wide and heavy front panels with handle
- > Extremely wide and heavy front panels with handle: With multi-position stop and optional soft closing**

* In combination with Salice Push concealed hinges, held in closed position by magnetic door catch and counter plate at the front panel.

**In combination with concealed hinges with or without automatic closing spring as well as component for soft close.

MAXI

MAXI FLAP FITTINGS FOR FLAPS MADE WITH WOOD OR WITH ALUMINIUM FRAME



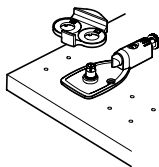
Model	Finish		
	Nickel-plated	White	Black
A	373.69.512	373.69.742	373.69.342
B	373.69.412	373.69.744	373.69.344
C	373.69.712	373.69.746	373.69.346
D	373.69.312	373.69.748	373.69.348

Packing: 1 piece



Note:
2 Fittings are required for door widths over 600 mm

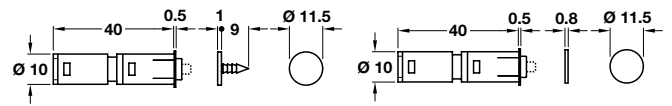
MAXI SOFT-CLOSING MECHANISM FOR USE WITH FRONT PANELS WITH HANDLES



Finish	Cat. No.
Nickel-plated	373.69.799
White	373.69.798
Black	373.69.398

Packing: 1 piece

PUSH MAGNETIC DOOR CATCH FOR CONCEALED FIXING



Counterplate for knocking in

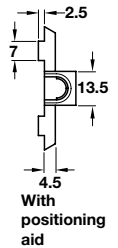
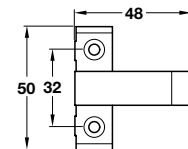
Counterplate for glue fixing

- > Suitable for: Use with Maxi Touch 'push-to-open' or touch opening' application
- > Features: With magnet for holding in closed position
- > Mounting: For mounting in drilled holes in cabinet base or with adapter

Installation	Cat. No.
Push catch and counterplate for knock-in	356.06.501
Push catch and counterplate for glue fixing	356.06.502

Packing: 1 piece

CRUCIFORM ADAPTER HOUSING FOR PUSH MAGNETIC DOOR CATCHES



- > Area of application: For screw fixing to cabinet top or base

	Cat. No.
With positioning aid	356.06.530

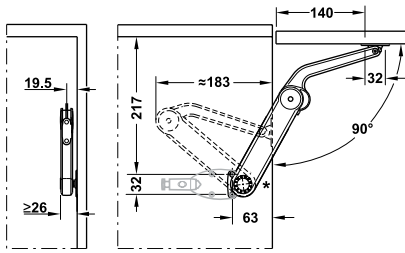
Packing: 1 piece

Dimensions in mm Dimensional data not binding, images are for illustrative purposes only. We reserve the right to alter specifications without notice.

MAXI

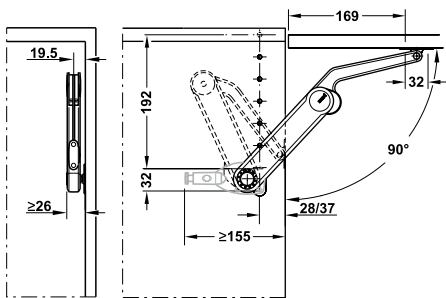
APPLICATION FOR FRONT PANELS WITH HANDLES STANDARD MOUNTING FOR POWER ASSISTED OPENING OF FLAP

Opening angle 90°



Cabinet height (mm)	Flap weight (kg)			
	Model A	Model B	Model C	Model D
300	2.7-5.1	5.0-8.5	8.0-12.0	9.0-15.0
400	2.1-3.5	4.5-6.7	5.8-11.2	7.2-13.5
500	1.6-2.6	3.5-5.5	4.5-8.8	6.0-11.0
600	1.3-2.2	2.7-4.3	3.9-7.7	4.8-8.5
700	1.2-2.0	2.5-3.7	3.2-6.4	4.2-7.6
800	–	2.4-3.4	3.0-5.4	3.5-6.7
900	–	–	2.7-5.2	3.0-6.0
1000	–	–	–	2.7-5.5

MOUNTING FOR EXTREMELY WIDE AND HEAVY FRONT PANELS

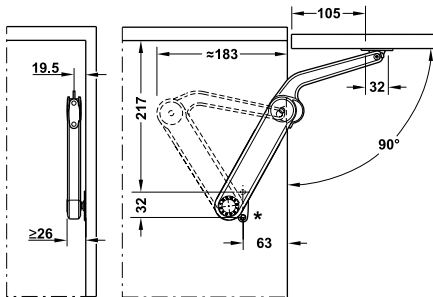


Cabinet height (mm)	Flap weight (kg)			
	Model A	Model B	Model C	Model D
300	3.0-5.3	5.1-10.2	9.1-15.8	11.9-20.8
400	2.3-4.0	3.8-7.6	6.9-11.9	8.9-15.6
500	1.8-3.2	3.1-6.1	5.5-9.6	7.2-12.5
600	1.5-2.7	2.6-5.1	4.6-7.9	6.0-10.4
700	1.3-2.2	2.1-4.2	3.8-6.6	4.9-8.7
800	1.1-2.0	1.9-3.9	3.4-5.9	4.4-7.8
900	1.0-1.8	1.7-3.4	3.0-5.2	3.9-6.9
1000	0.9-1.6	1.5-3.0	2.7-4.7	3.6-6.2

APPLICATION FOR FRONT PANELS WITHOUT HANDLES TOUCH OPEN MOUNTING FOR OPENING THE FLAP SLIGHTLY

Manual operation with multi-position stop

Opening angle 90°



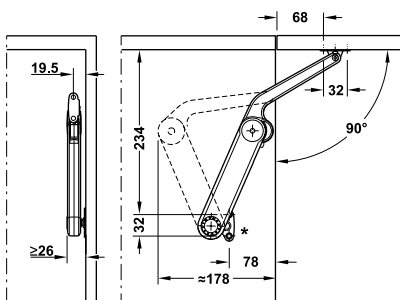
Cabinet height (mm)	Flap weight (kg)			
	Model A	Model B	Model C	Model D
300	2.0-3.5	3.3-6.7	6.0-10.3	7.8-13.6
400	1.5-2.6	2.5-5.0	5.5-7.8	5.8-10.2
500	1.2-2.1	2.0-4.0	3.6-6.3	4.7-8.2
600	1.0-1.8	1.7-3.3	3.0-5.2	3.9-6.8
700	0.9-1.4	1.4-2.7	2.5-4.3	3.2-5.7
800	0.7-1.3	1.2-2.6	2.2-3.9	2.9-5.1
900	0.7-1.2	1.1-2.2	2.0-3.4	2.6-4.5
1000	0.6-1.0	1.0-2.0	1.8-3.1	2.4-4.1



Note:
Must be used with Salice Push hinges.

PUSH-TO-OPEN MOUNTING FOR AUTOMATIC OPENING

Opening angle 90°



Cabinet height (mm)	Flap weight (kg)			
	Model A	Model B	Model C	Model D
300	1.7-2.4	3.1-4.6	3.8-7.0	5.8-9.8
400	–	2.4-3.7	3.1-5.5	4.2-7.1
500	–	1.6-2.9	2.6-4.5	3.4-5.8
600	–	1.5-2.4	2.1-3.6	2.9-4.8
700	–	1.2-2.1	1.5-3.2	2.5-4.0
800	–	–	1.3-2.9	2.2-3.3
900	–	–	1.1-2.6	1.9-3.3
1000	–	–	–	1.6-3.0



Note:
Must be used with Salice Push hinges.

Dimensions in mm. Dimensional data not binding, images are for illustrative purposes only. We reserve the right to alter specifications without notice.

DUO / DUO FORTE

THE FITTING WITH DUAL FUNCTION



- > Suitable for: Small one piece flaps
- > Features:
 - Adjusting the arms (overshear) turns the lid stay into a flap stay
 - Less space required inside the cabinet
 - Wear-resistant friction coupling with large adjusting range

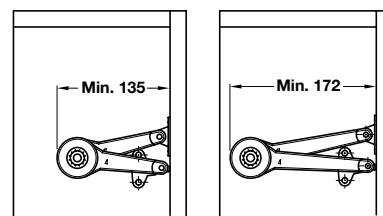
Holding power adjustment with SW4 Allen key (Cat. No. 008.28.241)



Stronger holding power
= locking function
= flap locks in any position
(multi-position stop)

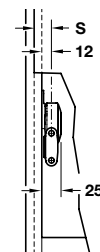
Weaker holding power
= braking function
= lid stay closes softly/flap stay opens gently

Minimum installation depth



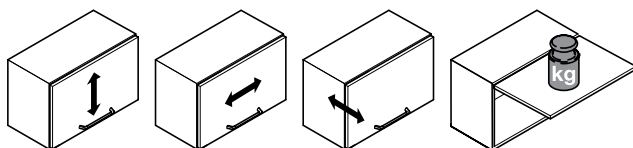
Duo

Duo Forte



Lateral space requirement/
side distance (S) for
screw-on bracket

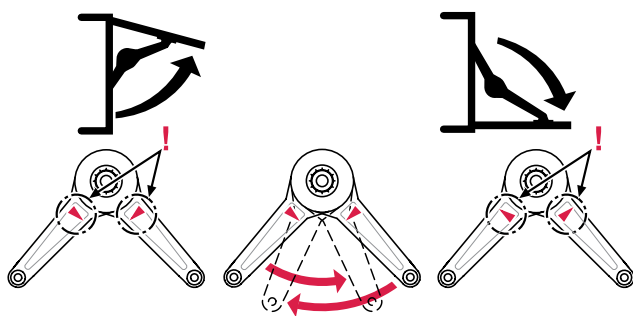
Front adjustment facility



Height adjustment* Side adjustment* Tilting angle adjustment* Holding power adjustment

*Adjustment based on concealed hinges that have been used.

Application



As lid stay

As flap stay



Finishes - Black, Nickel-plated or White

Dimensions in mm Dimensional data not binding, images are for illustrative purposes only. We reserve the right to alter specifications without notice.

DUO LID STAY / FLAP STAY

DUO STANDARD COMPLETE SET



Finish	Cat. No.
Nickel-plated	373.66.612
White	373.66.262
Black	373.66.212

Packing: 1 piece



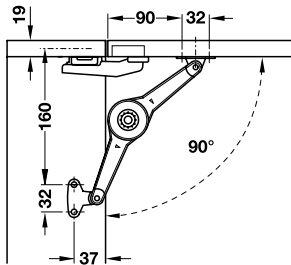
Supplied with:

- > 1 Lid stay
- > 1 Mounting bracket for cabinet
- > 1 Screw-on bracket for flap

STANDARD MOUNTING FOR FRONT PANELS WITH HANDLES

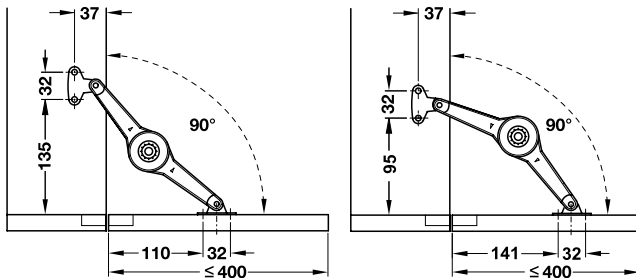
Installation as lid stay

Opening angle 90°



Installation as flap stay

Opening angle 90°



Separate catch required

No separate catch required.
Space requirement for fitting inside the cabinet when the flap is being closed: 130 mm from front edge of cabinet

Sample measurements table for max. flap weight

Always use two fittings when used as flap stay

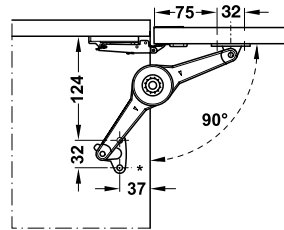
Cabinet height (mm)	Flap weight (kg)			
	1 Stay	2 Stays	1 Stay	2 Stays
Installation as lid or flap stay				
200	7.5	15.0	9.5	15.0
250	6.0	12.0	7.5	15.0
300	5.0	10.0	6.0	13.0
350	4.0	8.5	5.5	11.0
400	3.5	7.0	5.0	10.0
Installation as lid stay only				
450	3.5	6.5	4.5	8.5
500	3.0	6.0	4.0	7.5

MOUNTING FOR FRONT PANELS WITHOUT HANDLES



Installation as flap stay

Opening angle 90°



Sample measurements table for max. flap weight

Cabinet height (mm)	1 Lid stay		2 Lid stays	
	Max. front panel weight (kg)	Front panel opening (mm)	Max. front panel weight (kg)	Front panel opening (mm)
200	6.6	30	9.6	30
250	6.5	32	9.3	30
300	6.5	40	7.5	40
350	6.4	45	7.1	50
400	5.6	50	6.9	50
450	5.2	70	6.9	65
500	4.5	75	6.7	65



Note:

- > The mounting dimensions and sample measurements tables for this kind of application must be adhered to.
- > Use two Duo fittings for flap widths from 600 mm and above.
- > For use in combination with Salice Push concealed hinges and magnetic door catches
- > Use one Salice Push magnetic catch and one additional supplementary Salice Push magnetic catch (at some distance) for holding the flap reliably in closed position.

DUO FORTE LID STAY / FLAP STAY

DUO FORTE STANDARD COMPLETE SET



Finish	Cat. No.
Nickel-plated	373.66.632
White	373.66.372
Black	373.66.312

Packing: 1 piece



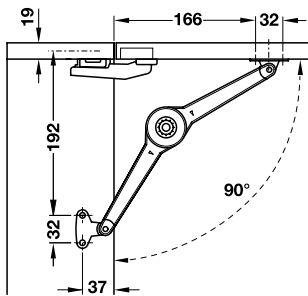
Supplied with:

- > 1 Lid stay
- > 1 Mounting bracket for cabinet
- > 1 Screw-on bracket for flap

STANDARD MOUNTING FOR FRONT PANELS WITH HANDLES

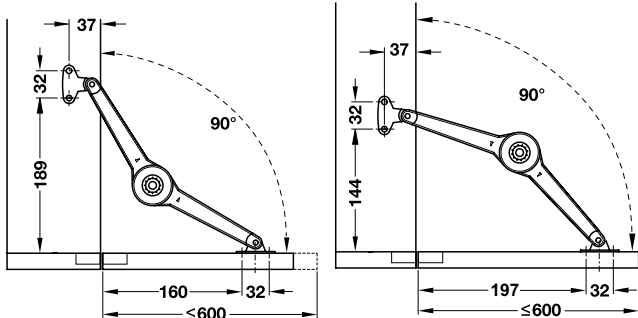
Installation as lid stay

Opening angle 90°



Installation as flap stay

Opening angle 90°



Separate catch required

No separate catch required.
Space requirement for fitting inside the cabinet when the flap is being closed: 175 mm from front edge of cabinet

Sample measurements table for max. flap weight Always use two fittings when used as flap stay

Cabinet height (mm)	Flap weight (kg)			
	1 Stay	2 Stays	1 Stay	2 Stays
Installation as lid or flap stay				
200	12.5	15.0	15.0	15.0
250	9.5	15.0	12.0	15.0
300	8.0	15.0	10.0	15.0
350	7.0	13.5	9.0	15.0
400	6.0	12.0	8.0	15.0
450	5.0	11.0	7.0	14.0
500	5.0	9.5	6.0	12.0
550	4.0	8.5	5.5	11.0
600	4.0	8.0	5.0	10.0

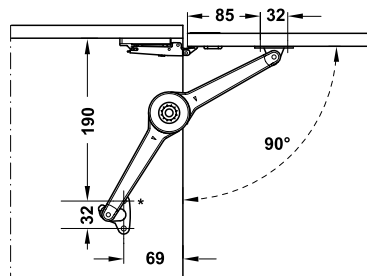
Installation as lid stay only				
650	3.5	7.0	5.0	9.5
700	3.0	7.0	4.0	9.0

MOUNTING FOR FRONT PANELS WITHOUT HANDLES



Installation as flap stay

Opening angle 90°



Sample measurements table for max. flap weight

Cabinet height (mm)	1 Lid stay		2 Lid stays	
	Max. front panel weight (kg)	Front panel opening (mm)	Max. front panel weight (kg)	Front panel opening (mm)
250	8.0	30	9.0	30
300	6.6	45	9.0	35
350	5.2	60	8.6	50
400	4.8	90	8.0	60
450	4.5	80	6.8	50
500	3.9	100	6.0	55
550	3.6	120	5.6	75
600	3.4	140	5.8	80
650	3.1	150	5.5	85
700	3.0	170	5.1	90



Note:

- > The mounting dimensions and sample measurements tables for this kind of application must be adhered to.
- > Use two Duo Forte fittings for flap widths from 600 mm and above.
- > For use in combination with Salice Push concealed hinges and magnetic door catches
- > Use one Salice Push magnetic catch and one additional supplementary Salice Push magnetic catch (at some distance) for holding the flap reliably in closed position.

Dimensions in mm Dimensional data not binding, images are for illustrative purposes only. We reserve the right to alter specifications without notice.

FREE FAMILY FLAP FITTINGS

PREMIUM PRODUCTION TO OUTSTANDING SERVICE.



Established as the leading brand amongst those in the trade, Häfele have been helping people make the most of their homes for over 90 years. Now a worldwide respected name in 150 countries, the humble beginnings of Häfele starts in the South of Germany. A family run business then and now, Häfele was built on solid foundations including the highest quality products, a commitment to improving the way furniture works and looks, and most importantly, a passion for outstanding service.

The Free Family flap fittings are our latest product innovation from Häfele. Designed and manufactured by Häfele at our Flap Competence Centre, we are incredibly proud of this new system that combines our reputation for product innovation with premium production and finishing.

Outstanding customer service comes as standard with our free technical advice from Häfele's specially qualified support team. It is quick and easy to order too either by phone, email, or online at www.hafele.com.au

3 WAYS TO BUY:

 www.hafele.com.au

 1300 659 728

 info@hafele.com.au



EXPERIENCE TURNS TO EXPERTISE

QUALITY WITHOUT COMPROMISE: ENGINEERED BY HÄFELE.



“The Complete Häfele” is a well-known term in the industry: It represents over 90 years of comprehensive experience with furniture fittings. Today, Häfele stands for even more. The expanded engineering expertise and the constant drive to think ahead lead to innovative solutions for the market of today and tomorrow.

The Free family of products is the next significant step in the development of Häfele’s expertise. The expectation to set a new standard for flap fittings in the market, and to have those fittings meet Häfele’s typical level of quality could only be achieved by developing and manufacturing the product in-house, by creating Häfele’s own solutions for flap fittings.

A new manufacturing hall, the latest machinery and the most modern standards are the cornerstones for reliable production. Experienced development engineers in the factory ensure continuously high quality. The goal is to connect the opening and closing of cabinets with a feeling of luxury and reliability. Engineered by Häfele.



INDEX

001.

001.25.791.....	12
001.25.792.....	12

008.

008.28.241.....	42
-----------------	----

235.

235.79.301.....	37
-----------------	----

356.

356.06.501.....	40
356.06.502.....	40
356.06.530.....	40

372.

372.28.800.....	37
372.28.801.....	37
372.28.810.....	37
372.28.811.....	37
372.28.820.....	37
372.28.821.....	37
372.28.830.....	37
372.28.831.....	37
372.33.050.....	12
372.33.692.....	29
372.33.692.....	33
372.33.694.....	29
372.33.694.....	33
372.33.696.....	29
372.33.696.....	33
372.33.698.....	29
372.33.698.....	33
372.33.700.....	29
372.33.701.....	29
372.33.702.....	29
372.33.710.....	29
372.33.711.....	29
372.33.712.....	29
372.33.713.....	29
372.33.720.....	29
372.33.721.....	29
372.33.722.....	29
372.33.723.....	29
372.33.730.....	29
372.33.731.....	29
372.33.732.....	29
372.33.733.....	29
372.34.050.....	12
372.34.700.....	33
372.34.700.....	33
372.34.700.....	33
372.34.701.....	33
372.34.701.....	33
372.34.701.....	33
372.34.701.....	33
372.34.702.....	33

372.34.702.....	33
372.34.702.....	33
372.34.702.....	33
372.34.710.....	33
372.34.710.....	33
372.34.710.....	33
372.34.710.....	33
372.34.711.....	33
372.34.711.....	33
372.34.711.....	33
372.34.711.....	33
372.34.712.....	33
372.34.712.....	33
372.34.712.....	33
372.34.712.....	33
372.34.720.....	33
372.34.720.....	33
372.34.720.....	33
372.34.721.....	33
372.34.721.....	33
372.34.721.....	33
372.34.721.....	33
372.34.721.....	33
372.34.722.....	33
372.34.722.....	33
372.34.722.....	33
372.34.722.....	33
372.37.060.....	24
372.38.050.....	12
372.38.700.....	23
372.38.702.....	23
372.38.703.....	23
372.38.710.....	23
372.38.712.....	23
372.38.713.....	23
372.38.720.....	23
372.38.722.....	23
372.38.723.....	23
372.38.724.....	23
372.38.730.....	23
372.38.732.....	23
372.38.733.....	23
372.38.734.....	23
372.38.740.....	23
372.38.742.....	23
372.38.743.....	23
372.38.744.....	23
372.38.752.....	23
372.38.753.....	23
372.38.754.....	23
372.38.762.....	23
372.38.763.....	23
372.38.764.....	23
372.38.773.....	23
372.38.774.....	23
372.38.783.....	23
372.38.784.....	23
372.38.793.....	23
372.38.794.....	23

372.38.798.....	23
372.38.799.....	23
372.39.002.....	37
372.39.003.....	37
372.39.015.....	37
372.39.017.....	37
372.39.800.....	37
372.39.801.....	37
372.39.810.....	37
372.39.811.....	37
372.39.820.....	37
372.39.821.....	37
372.39.830.....	37
372.39.831.....	37
372.64.796.....	24
372.64.893.....	12
372.91.023.....	12
372.91.480.....	19
372.91.481.....	19
372.91.482.....	19
372.91.483.....	19
372.91.484.....	19
372.91.485.....	19
372.91.720.....	17
372.91.721.....	17
372.91.722.....	17
372.91.730.....	17
372.91.731.....	17
372.91.732.....	17
372.91.733.....	17

373.

373.66.212.....	43
373.66.262.....	43
373.66.312.....	44
373.66.372.....	44
373.66.612.....	43
373.66.632.....	44
373.69.312.....	40
373.69.342.....	40
373.69.344.....	40
373.69.346.....	40
373.69.348.....	40
373.69.398.....	40
373.69.412.....	40
373.69.512.....	40
373.69.712.....	40
373.69.742.....	40
373.69.744.....	40
373.69.746.....	40
373.69.748.....	40
373.69.798.....	40
373.69.799.....	40

Dimensions in mm. Dimensional data not binding. Images are for illustrative purposes only. We reserve the right to alter specifications without notice.

HÄFELE

732.98.682 FREE FAMILY FITTINGS - 07.2016

Häfele Australia Pty. Ltd. | 8 Monterey Road | Dandenong | Victoria 3175
Phone: 1300 659 728 | **Fax:** (03) 9212 2001 | **Email:** info@hafele.com.au | www.hafele.com.au

Häfele New Zealand Ltd. | 16 Accent Drive | East Tamaki | Auckland 2013
Phone: 0800 442 335 | **Email:** info@hafele.co.nz | www.hafele.co.nz

HÄFELE LOCATIONS:

Australia | MELBOURNE | SYDNEY | NEWCASTLE | BRISBANE | ADELAIDE | LAUNCESTON | HOBART | PERTH
New Zealand | AUCKLAND | WELLINGTON | CHRISTCHURCH