



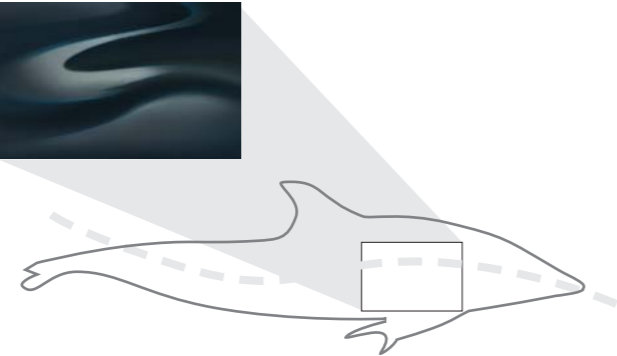
DOLPHIN  
BLUE

---

TAPS, SHOWERS, CISTERN FRAMES AND FLUSH VALVES

# THE SKINS STORY

## BLUE



## DUSKY DOLPHIN

They reside in the coastal waters of the Southern Hemisphere. The Dusky Dolphin is very social, and their pods can be more than 1,000 members. It is believed that the larger numbers come together for feeding and that there are plenty of subgroups within a larger pod. They are very acrobatic and can be seen leaping out of the water.



Dolphin Blue is the colourful name we've given to all our water-related washroom products and fittings, from intelligent infra-red taps and urinal flushes to elegantly recessed shower heads and cunningly concealed cistern frames.

Right across this extremely varied range, thoughtful design goes hand in hand with outstanding value for money. With Dolphin Blue, there's no need to splash out a fortune to achieve precisely the washroom you have in mind.

Touch-free taps eliminate cross-contamination; while adjustable flow rates deliver water and energy savings of up to 80% – easily achieving BREEAM targets. In terms of aesthetics, too, Dolphin Blue looks equally good – offering counter-mounted, panel-mounted and behind-mirror tap options. Plus a choice of satin stainless steel, satin chrome, and polished brass finishes, as well as the full range of RAL powder-coated colours.

As for long-term reliability, all Dolphin Blue products are made to perform day after day, year after year – with the reassurance of full factory warranty, and dedicated technical support.

One of our key features here is the matching soap dispensers and taps that we offer:

|                   |          |
|-------------------|----------|
| <b>CASE STUDY</b> | <b>2</b> |
| <b>COLLECTION</b> | <b>4</b> |

### PRODUCT CATEGORIES

|                      |    |                |    |
|----------------------|----|----------------|----|
| PANEL MOUNTED TAPS   | 6  | WASTE TRAPS    | 23 |
| COUNTER MOUNTED TAPS | 14 | ACCESSORIES    | 24 |
| BEHIND MIRROR TAPS   | 19 | CISTERN FRAMES | 26 |
| SHOWER HEADS         | 22 | FLUSH PLATES   | 29 |



## CASE STUDY

### THE SSE HYDRO GLASGOW, SCOTLAND

When leading London architects transformed Glasgow's skyline with a phenomenal modern landmark, they turned to Dolphin for their washroom needs...

The SSE Hydro is a purpose built entertainment venue which opened in Glasgow in September 2013.

#### WHAT DOLPHIN DELIVERED

Foster & Partners were looking for reliable, good quality taps to handle big crowds in a short concentration of time. We supplied them with WRAS approved Dolphin infra-red sensor taps which saved water and added a touch of style.

But that's not all these highly intelligent taps did. Their extremely low flow rate even reduced the building's carbon footprint and minimised environmental impact in line with BREEAM assessment criteria.

At Dolphin, we understand the importance of protecting our planet, which is why we invest in the potential of technology to keep our ecosystem going. Our WRAS approved taps are just one example of how a greener washroom doesn't have to cost you the world.

It plays host to national and international artists and bands as well as being a venue for major comedy stars and sporting events.

With a seating capacity of 12,000, The SSE Hydro augments the SECC Glasgow's existing event venue portfolio as an additional iconic architectural landmark on the banks of the River Clyde. The Foster + Partners designed building will play host to around 140 events each year; and will attract an audience of one million visitors each year.

The venue is ranked in the top five busiest indoor entertainment arenas in the world alongside such iconic venues as Madison Square Garden in New York and The O2 in London.



Architect: Foster & Partners

#### FEATURED PRODUCTS



DB100

# LUXURY OFFICE COLLECTION



**COLLECTION CURATED BY**  
JAMES WOODFORD

These prestigious fittings will transform any busy commercial washroom into an away-from-home bathroom experience. The stainless steel fittings have been designed and built to spec, not budget, and inspire confidence, exceed expectations in both form and function and remain beautiful for years.

## FEATURED PRODUCTS



WA100



DPI105



DB795



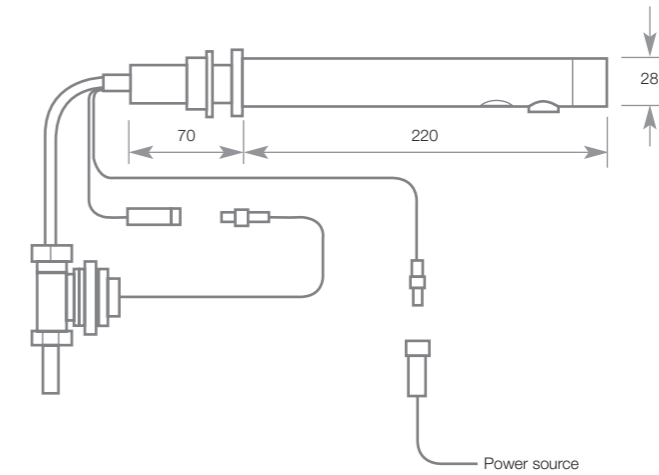
DP5103



DP3104



DP7405



28 MM DIAMETER  
220 MM PROJECTION

- > Touch Free Tap – for ultimate hygiene – prevents cross contamination
- > Quality polished or brushed chrome plated brass finishes available
- > Wall-mounted faucet. Combines a minimalistic design with vandal resistant features. Helps washrooms stay clean and saves water. Easy installation. Long lasting even in the harshest installation sites. Ideal for shopping malls, sport facilities and entertainment centres
- > WRAS Approved
- > Matching soap dispenser – [BC632F](#)

**PRODUCT CODES**

BATTERY POWERED

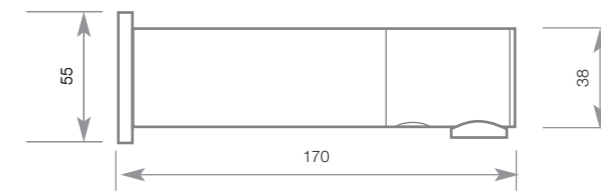
- > Brushed chrome [DBI400S](#)
- > Polished chrome [DBI400C](#)

TRANSFORMER POWERED

- > Brushed chrome [DBI425S](#)
- > Polished chrome [DBI425C](#)

**DB400 / DB425**

**DOLPHIN BLUE PANEL MOUNTED ELECTRONIC INFRARED TAP**



**38 MM DIAMETER**  
**170 MM PROJECTION**

**PRODUCT CODES**

BATTERY POWERED

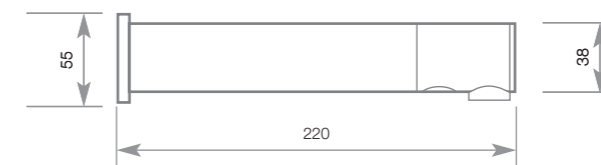
- > Brushed chrome **DB400S**
- > Polished chrome **DB400C**

TRANSFORMER POWERED

- > Brushed chrome **DB425S**
- > Polished chrome **DB425C**

**DBL400 / DBL425**

**DOLPHIN BLUE PANEL MOUNTED ELECTRONIC INFRARED TAP**



**38 MM DIAMETER**  
**220 MM PROJECTION**

**PRODUCT CODES**

BATTERY POWERED

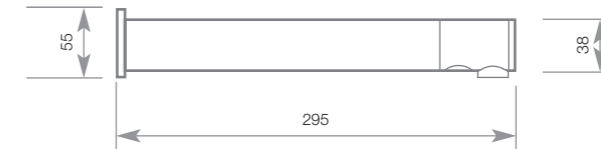
- > Brushed chrome **DBL400S**
- > Polished chrome **DBL400C**

TRANSFORMER POWERED

- > Brushed chrome **DBL425S**
- > Polished chrome **DBL425C**

**DBXL400 / DBXL425**

**DOLPHIN BLUE PANEL MOUNTED ELECTRONIC INFRARED TAP**



**38 MM DIAMETER**  
**295 MM PROJECTION**

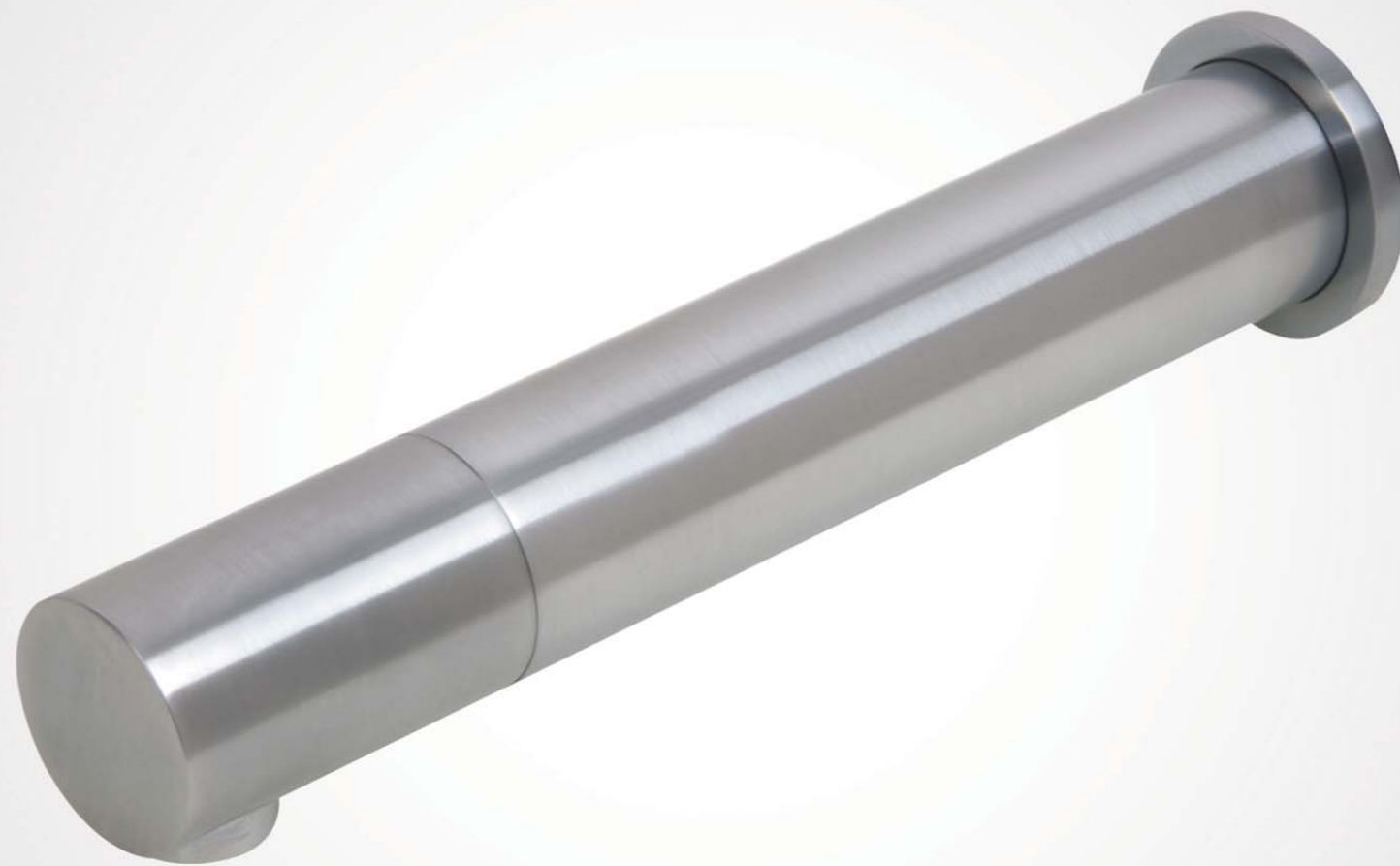
**PRODUCT CODES**

BATTERY POWERED

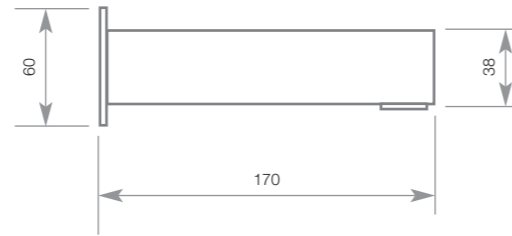
- > Brushed chrome **DBXL400S**
- > Polished chrome **DBXL400C**

TRANSFORMER POWERED

- > Brushed chrome **DBXL425S**
- > Polished chrome **DBXL425C**



- > Touch Free Tap – for ultimate hygiene – prevents cross contamination
- > Quality polished or brushed chrome plated brass finishes available
- > Wall-mounted faucet. Combines a minimalistic design with vandal resistant features. Helps washrooms stay clean and saves water. Easy installation. Long lasting even in the harshest installation sites. Ideal for shopping malls, sport facilities and entertainment centres
- > WRAS approved
- > Matching soap dispenser – **BC632F**



38 MM HEIGHT  
38 MM WIDTH  
170 MM PROJECTION

- > Touch Free Tap – for ultimate hygiene – prevents cross contamination
- > Quality polished or brushed chrome plated brass finishes available
- > Wall-mounted faucet. Combines a modern design with vandal resistant features. Helps washrooms stay clean and saves water. Easy installation. Long lasting even in the harshest installation sites. Ideal for shopping malls, sport facilities and entertainment centres
- > Available as a 220mm projection version – **DBI1500**
- > Matching soap dispenser – **BC635C**

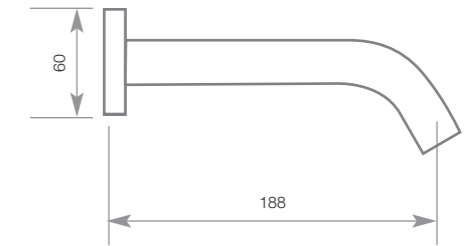
**PRODUCT CODES**

BATTERY POWERED

- > Brushed chrome **DBI500C**
- > Polished chrome **DBI500S**

TRANSFORMER POWERED

- > Brushed chrome **DBI525S**
- > Polished chrome **DBI525C**

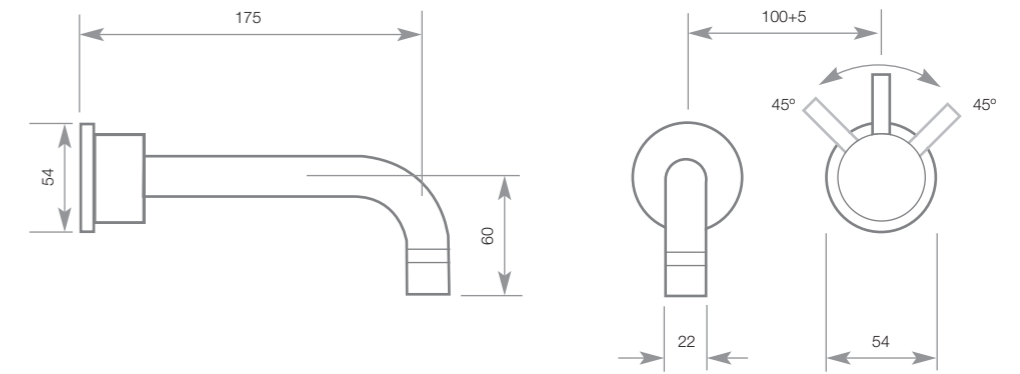


60 MM DIAMETER  
188 MM PROJECTION

- > Quality chrome plated brass construction
- > Sensor window is at water outlet allowing easy and fast activation
- > Projection 188mm from wall to centre of spout
- > Distance from work top 300mm
- > Can be battery or transformer powered



**DB1675 DOLPHIN BLUE PANEL MOUNTED MANUAL TAP**

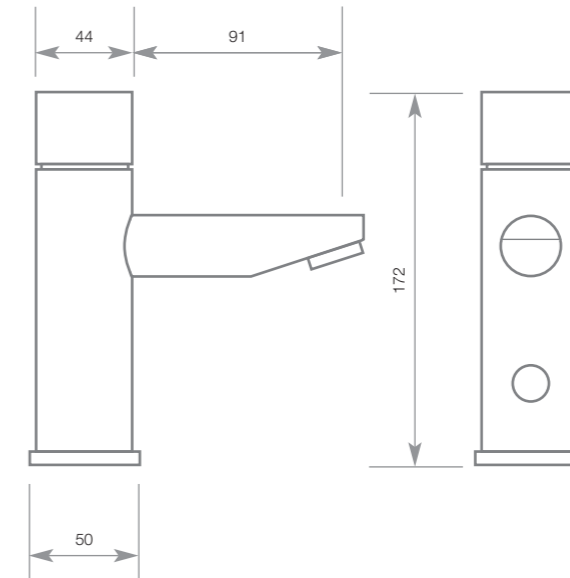


**87 MM HEIGHT**  
**22 MM DIAMETER**  
**186 MM PROJECTION**

- > NEW stylish wall/panel mounted monoblock mixer tap
- > Manufactured from high-quality, highly durable 304 stainless steel
- > Interchangeable Neoperl Aerator insert
- > Designed to be mounted on the wall behind an IPS panel
- > Requires a separate hot and cold supply; a balanced pressure is ideal for optimum performance – a DB61 TMV3 valve can be fitted in conjunction with this tap



DB100-STL / DB125-STL DOLPHIN BLUE ELECTRONIC INFRARED TAP



172 MM HEIGHT  
 44 MM DIAMETER  
 91 MM PROJECTION

- > Touch Free Tap – for ultimate hygiene – prevents cross contamination
- > Quality polished or brushed chrome plated brass finishes available
- > Deck-mounted faucet. Combining an elegant minimalist design with anti-vandal features. Easy installation. Long lasting even in the harshest installation sites. Helps washrooms stay clean and saves water. Ideal for stadiums, train and bus stations and highway rest stops
- > WRAS approved
- > Single water feed
- > Matching soap dispenser – [BC633F](#)

**PRODUCT CODES**

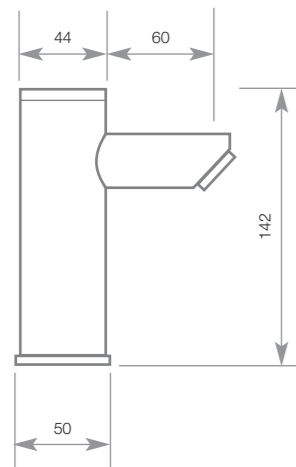
BATTERY POWERED

- > Polished chrome [DB100C-STL](#)
- > Brushed chrome [DB100S-STL](#)

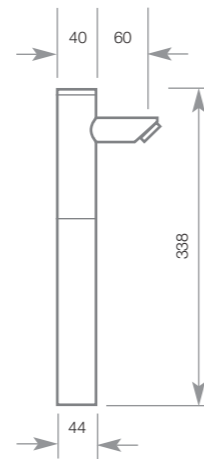
TRANSFORMER POWERED

- > Polished chrome [DB125C-STL](#)
- > Brushed chrome [DB125S-STL](#)

**DB200 / DB225** DOLPHIN BLUE COUNTER MOUNTED ELECTRONIC INFRA RED TAP  
**DBL200 / DBL225** DOLPHIN BLUE COUNTER MOUNTED ELECTRONIC INFRA RED TAP



**142 MM** HEIGHT  
**44 MM** DIAMETER  
**60 MM** PROJECTION



**338 MM** HEIGHT  
**40 MM** DIAMETER  
**60 MM** PROJECTION

**PRODUCT CODES**

BATTERY POWERED

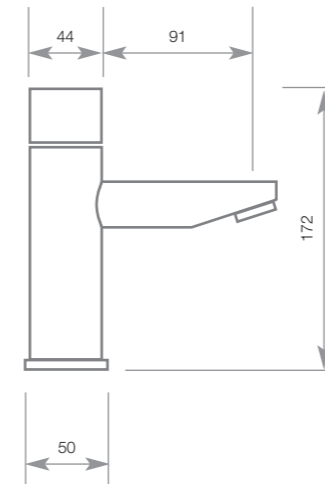
- > Polished chrome **DB200C**
- > Brushed chrome **DB200S**

TRANSFORMER POWERED

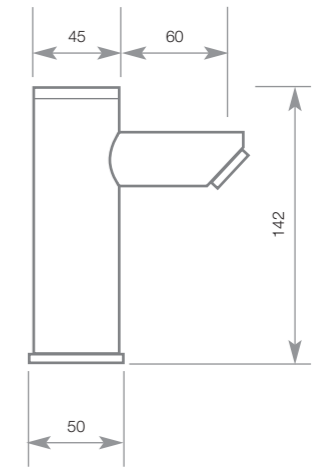
- > Polished chrome **DB225C**
- > Brushed chrome **DB225S**

- > Touch Free Tap – for ultimate hygiene – prevents cross contamination
- > Quality polished or brushed chrome plated brass finishes available
- > Deck-mounted faucet. Combining an elegant minimalist design with anti-vandal features. Easy installation. Long lasting even in the harshest installation sites. Helps washrooms stay clean and saves water. Ideal for stadiums, train and bus stations and highway rest stops
- > Single water feed
- > Matching soap dispenser – **BC633F**

**DB150 / DB175** DOLPHIN BLUE ELECTRONIC INFRARED TAP WITH TEMPERATURE ADJUSTMENT LEVER  
**DB250 / DB275** DOLPHIN BLUE ELECTRONIC INFRARED TAP WITH TEMPERATURE ADJUSTMENT LEVER



**172 MM** HEIGHT  
**44 MM** DIAMETER  
**91 MM** PROJECTION



**142 MM** HEIGHT  
**45 MM** DIAMETER  
**60 MM** PROJECTION

**PRODUCT CODES**

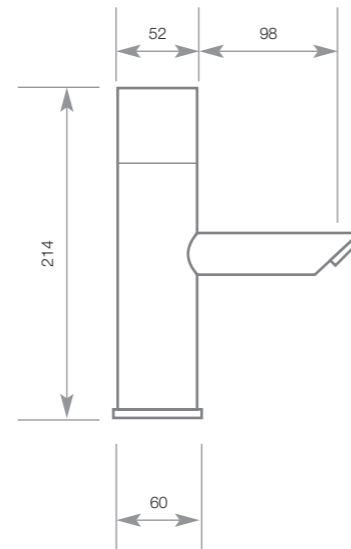
BATTERY POWERED

- > Brushed chrome **DB150S**
- > Polished chrome **DB150C**

TRANSFORMER POWERED

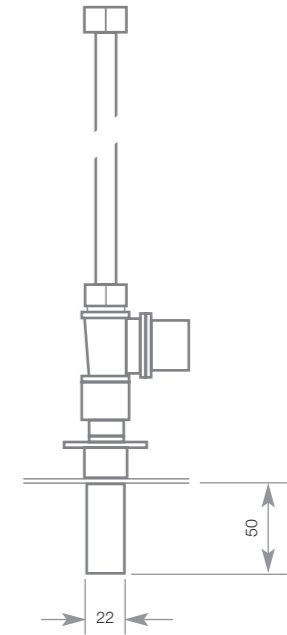
- > Brushed chrome **DB175S**
- > Polished chrome **DB175C**

- > Touch Free Tap – for ultimate hygiene – prevents cross contamination
- > Quality polished or brushed chrome plated brass finishes available
- > Deck-mounted faucet. Combining an elegant minimalist design with anti-vandal features. Easy installation. Long lasting even in the harshest installation sites. Helps washrooms stay clean and saves water. Ideal for stadiums, train and bus stations and highway rest stops
- > Hot and cold water feed needed
- > Matching soap dispenser – **BC633F**



214 MM HEIGHT  
52 MM DIAMETER  
98 MM PROJECTION

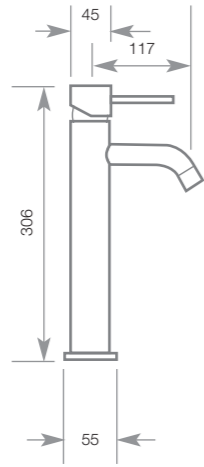
- > Includes a built in TMV for water temperature control
- > Deck-mounted faucet. Combining an elegant minimalist design with anti-vandal features. Easy installation. Long lasting even in the harshest installation sites. Helps washrooms stay clean and saves water: Prevents cross contamination. Ideal for hospitals, laboratories, dental clinics and commercial kitchens
- > WRAS approved



50 MM HEIGHT  
22 MM DIAMETER

- > Behind Mirror Tap which is easy to install and plumb
- > Combining an elegant minimalist design with anti-vandal features. Easy installation. Long lasting even in the harshest installation sites. Helps designers save space in the washroom and save water: Ideal for shopping malls, sport facilities, entertainment centers, hotel, airports and transportation hubs.

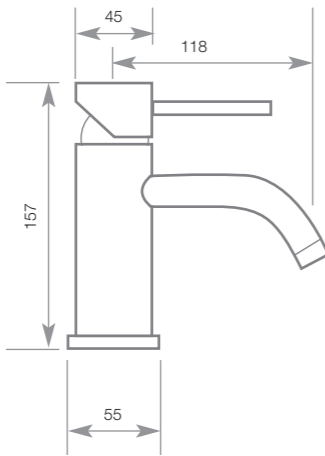
DBI600 DOLPHIN MONOBLOC MIXER TAP



306 MM HEIGHT  
45 MM DIAMETER  
117 MM PROJECTION

- > NEW stylish counter mounted monobloc mixer tap
- > Manufactured from high-quality, highly durable 304 stainless steel
- > Interchangeable Neoperl Aerator insert
- > Requires a separate hot and cold supply; a balanced pressure is ideal for optimum performance – a DB61 TMV3 valve can be fitted in conjunction with this tap.
- > WRAS approved

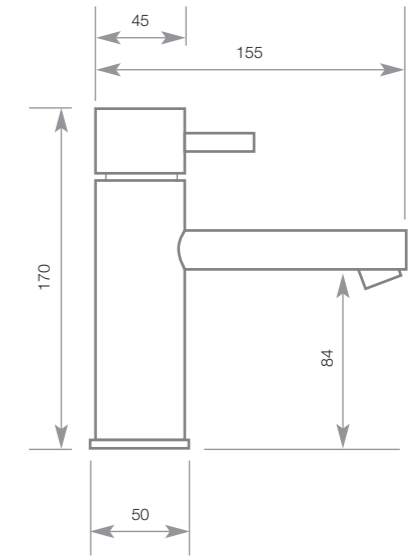
DBI650 DOLPHIN MONOBLOC MIXER TAP



157 MM HEIGHT  
45 MM DIAMETER  
118 MM PROJECTION

- >

WAI100 DOLPHIN PRESTIGE BASIN TAP



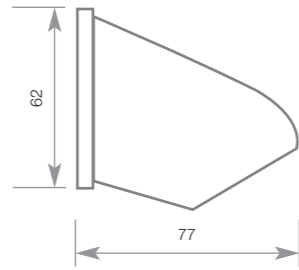
170 MM HEIGHT  
45 MM DIAMETER  
110 MM PROJECTION

- > Prestige Stainless Steel Tap
- > Manufactured from high-quality, highly durable 304 stainless steel
- > Interchangeable Neoperl Aerator insert
- > Requires a separate hot and cold supply; a balanced pressure is ideal for optimum performance – a DB61 TMV3 valve can be fitted in conjunction with this tap

**DB1031 DOLPHIN SHOWER HEAD, WALL MOUNTED – REAR INLET**



**62 MM HEIGHT**  
**77 MM WIDTH**

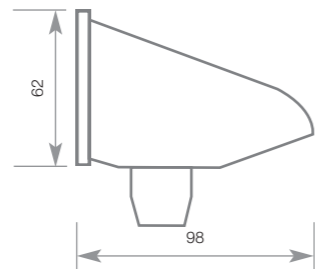


- > High quality chrome plated solid brass construction.
- > Vandal resistant
- > Rear inlet (BC1031) bottom inlet (BC1032)
- > Anti-ligature
- > Ideal for public shower facilities, including: prisons, sport facilities, swimming pools, hospitals and schools
- > Easy clean nozzles – lime deposits can be easily rubbed off due to soft silicone nozzles

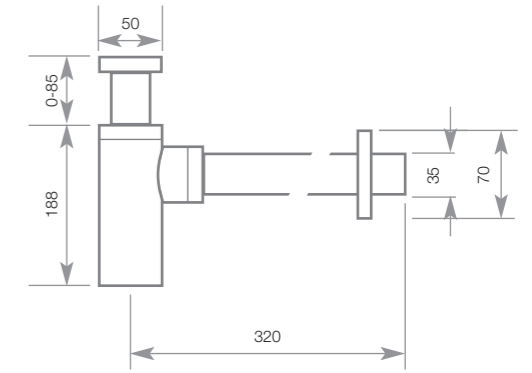
**DB1032 DOLPHIN SHOWER HEAD, WALL MOUNTED – BOTTOM INLET**



**62 MM HEIGHT**  
**98 MM WIDTH**

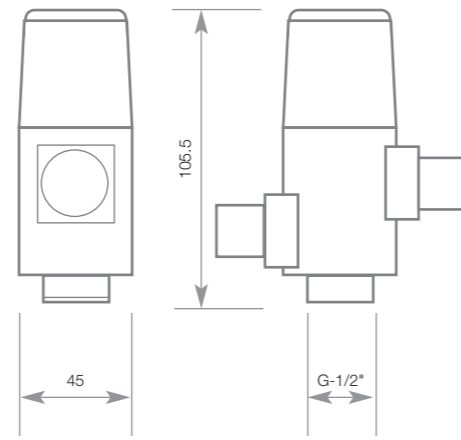


**DB795 DOLPHIN WASTE TRAP**



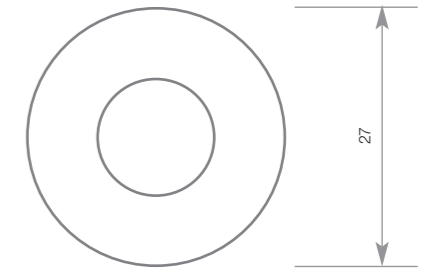
**148-218 MM HEIGHT**  
**320 MM PROJECTION**  
**60 MM BOTTLE DIAMETER**

- > 32mm / G1/4" high quality chrome-plated brass bottle trap
- > 75mm deep trap
- > Suitable for sinks and basins.
- > Telescopic, with a 70mm wall seal and minimalist 75mm trap
- > Waste outlet length: 320mm from centre of trap
- > Bottle Diameter: 60mm



105.5 MM HEIGHT  
45 MM DIAMETER

- > Thermostatic mixing valve allowing easy adjustment of hot and cold water
- > Prevents scalding
- > Manually set the water temperature at any given time
- > WRAS Approved

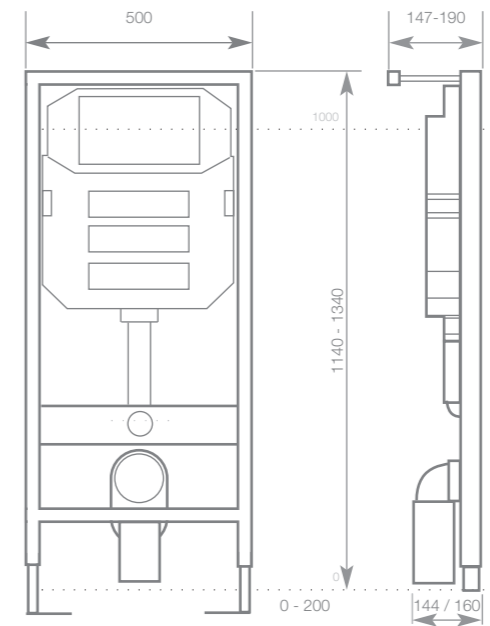


27 MM DIAMETER

- > Touch Free Proximity Sensors – eliminates cross contamination. Senses when user is present and flushes urinal when user walks away
- > Quality polished chrome plated brass finish
- > Direct flush does not incorporate or work with cistern, this saves the bacteria growth associated with stored water
- > Needs a 15mm feed
- > 2 years manufacturer's warranty
- > Pressure: 0.5 - 8.0 bar (7-116 PSI)
- > Powered by 9v battery

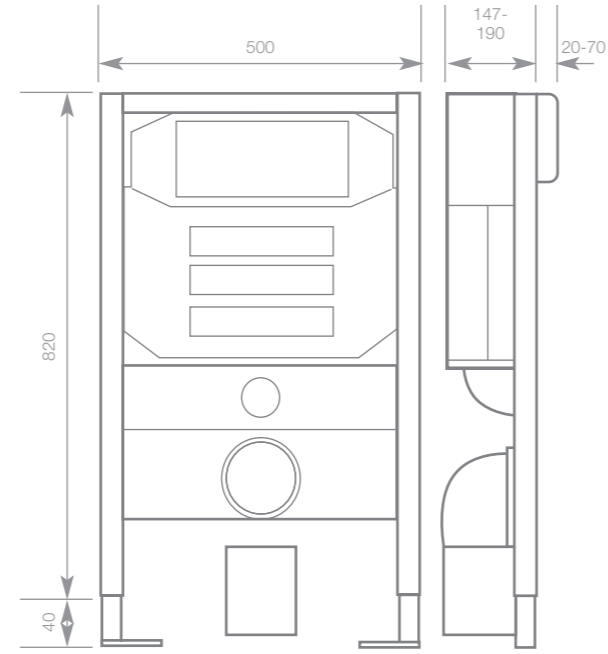


**DB580 DOLPHIN RECESSED CONCEALED CISTERN FRAME**



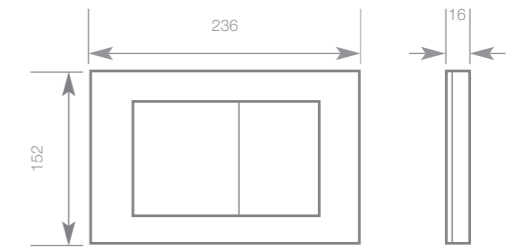
**1140-1430 MM HEIGHT**  
**500 MM WIDTH**  
**147-190 MM PROJECTION**

- > Universal frame 1140mm
- > Depth of cistern 120mm
- > Galvanised leg supports, adjustable from 0 - 200mm
- > Concealed cistern fully insulated against condensation
- > Adjustable dual-flush valve 6/3L, 4.5/3L or 4/2L
- > Water supply connection R 1/2"
- > Protection plug for flush pipes
- > Protection cover for service opening
- > Threaded rods M12 for ceramics fastening
- > WC connection set, dia. 90mm
- > WC outlet bend, HDPE or PVC, diameter 90mm or 110mm



820-1020 mm HEIGHT  
 500 mm WIDTH  
 147-190 mm PROJECTION

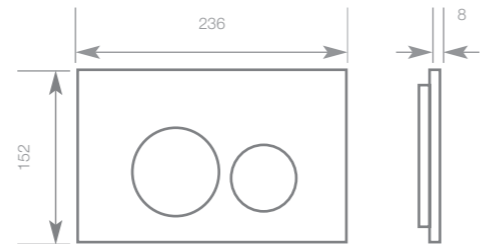
- > Front or top operating, low level frame
- > Universal frame 820mm
- > Depth of cistern 130mm
- > Galvanised leg supports, adjustable from 0 - 200mm
- > Concealed cistern fully insulated against condensation
- > Adjustable dual-flush valve 6/3L, 4.5/3L
- > Water supply connection R 1/2"
- > WRAS approved



152 mm HEIGHT  
 236 mm WIDTH  
 16 mm PROJECTION

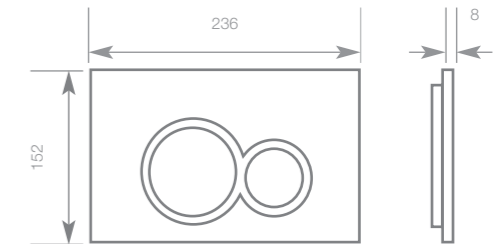
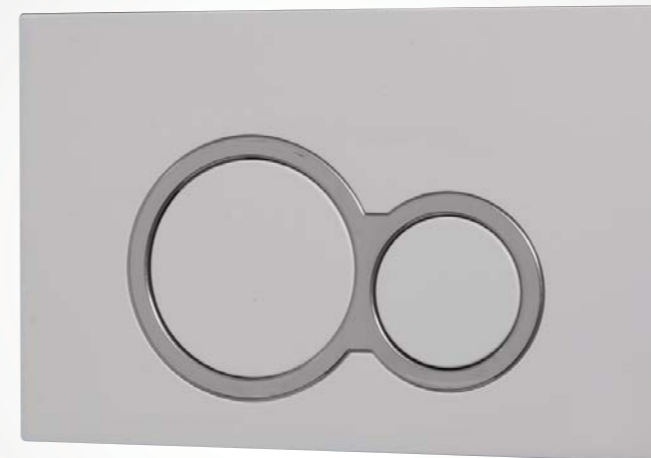
- > Very high quality mechanical ABS push plate
- > Chrome plated ABS **DB586**
- > Quality 304 stainless steel **DB587**





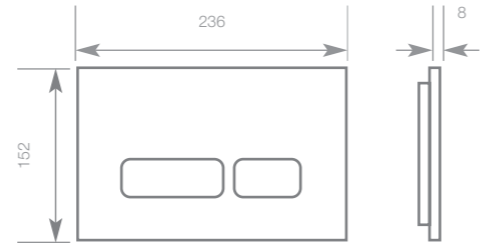
152 MM HEIGHT  
236 MM WIDTH  
8 MM PROJECTION

- > Mechanical push plate
- > Available in polished or satin stainless steel
- > Polished **DB582C**
- > Satin **DB582S**



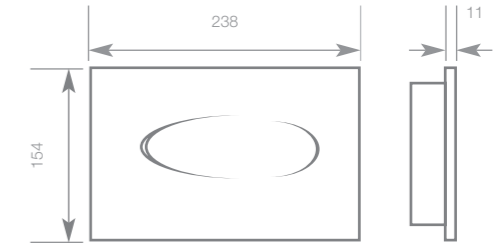
236 MM HEIGHT  
152 MM DIAMETER  
8 MM PROJECTION

- > Mechanical push plate
- > Available in white, chrome, black and silver
- > Matt white **DB583W**
- > Matt silver **DB583S**
- > Chrome **DB583C**
- > Matt black **DB583B**



236 MM HEIGHT  
152 MM DIAMETER  
12 MM PROJECTION

- > Mechanical push plate
- > Available in white, chrome, black and silver
- > Matt white **DB584W**
- > Matt silver **DB584S**
- > Chrome **DB584C**
- > Matt black **DB584B**



154 MM HEIGHT  
238 MM DIAMETER  
11 MM PROJECTION

- > Black glass with two light fields to show a full and half flush
- > Touchless operation – simply wave in front of plate
- > Flushes automatically if user moves away without flushing
- > Used for high quality washrooms
- > A 220v power connection is needed to connect to the 9V transformer
- > Transformer included in package

Our Dolphin Blue texture was inspired by the Dusky Dolphin, a small but handsome species found in coastal waters throughout the southern hemisphere.

Dolphi Solutions Ltd  
Southpoint, Compass Park,  
Junction Road  
Bodiam, TN32 5BS,  
United Kingdom  
T +44 (0)1424 202 224  
info@dolphinsolutions.co.uk  
dolphinsolutions.co.uk

© Dolphin Solutions Ltd