



iDoor

Introducing the first

**PLUG AND PLAY DIY HEAVY DUTY
AUTOMATIC SLIDING DOOR OPERATOR**

**NATA Tested on doors weighing 300kg
for a million cycles in compliance with AS 5007**



iDoor



iDoor™ is a unique Plug & Play Heavy Duty Commercial door operator that has been made with the fabricator in mind. This heavy duty automatic door operator can be installed and commissioned by the fabricator during the same visit to site. Thereby removing the need to rely on a third party technician to commission the system at a later date.

All iDoor components are manufactured with a simple colour coded pre-wired plug connectors, that are powered by a low voltage 24 volt DC regulated switch mode power source including an inbuilt Emergency/Failsafe battery back-up power supply.

The iDoor operator comes standard with the following

- Cut to size track housing and pelmet up to 4.5m. A 6.7m length model is also available as an option.
- The pelmet cover is provided in a clear anodized finish which can be powder coated by the fabricator to match the specified colour required.
- Each operator is supplied with 2 x activation sensors, 1 x safety sensor and a digital mode control.
- Each operator comes with an easy to read step by step installation manual and DVD.
- Emergency power failsafe back up battery system in compliance with building and fire codes.
- All iDoor systems are pre tested for more then 2 hours on a simulator test rig.
- All iDoor systems are individually assembled and packaged to customers order and delivered to customers specified address.
- All iDoor systems are pre-wired ready for Plug and Play installation (No third party technician is required to commission this system.
- 2 year replacement part warrantee from date of dispatch from the iDoor factory. (Normal wear and tear of track wheels and floor guides not included.)
- iDoor provides a 24 hour telephone technical support service.
- Labour warranty is covered by the installer.
- Maintenance for the equipment can be arranged at the request of the end user.
- The iDoor operator complies with AS 5007-2007. A NATA testing report is available upon request.



Plug & Play
Microwave motion sensor x 2

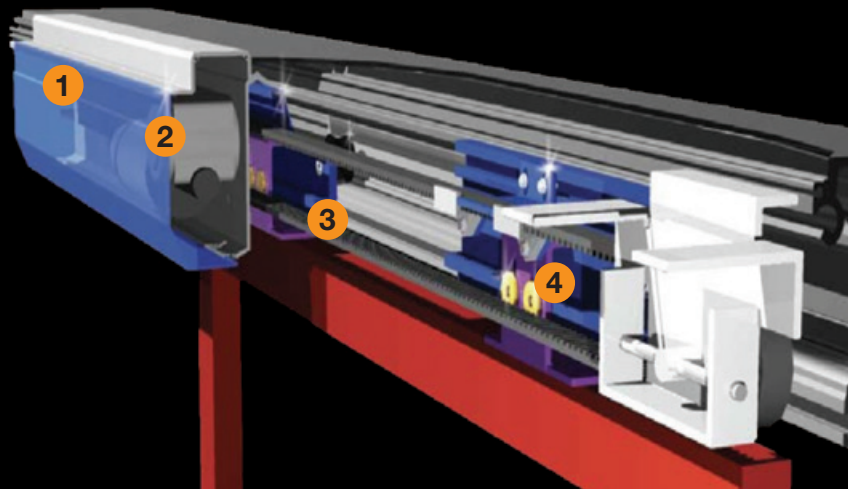


Plug & Play
Mode control panel



Plug & Play
Safety presence sensor x 1

iDoor



OPERATOR DESIGN FEATURES

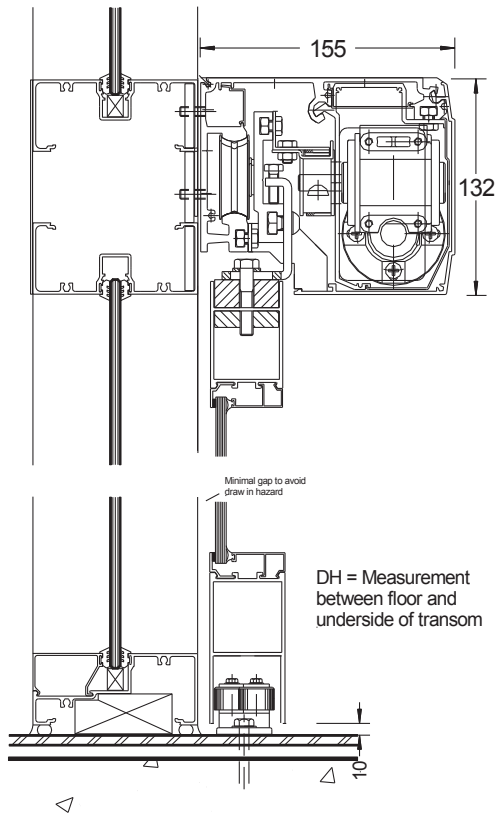
1. iDoor unique environmental protection cover
2. iDoor computer control in a single module contains all electrical components for ease of service and maintenance
3. High strength reinforced fibre toothed belt for quiet operation and maximum performance
4. Heavy duty concave track wheels – 6 per door

IDOOR KEY FEATURES

- Australian made
- Tested for aust standards
- Plug & play easy install design
- High security electric motor locking
- No exposed wiring
- Energy efficient low power

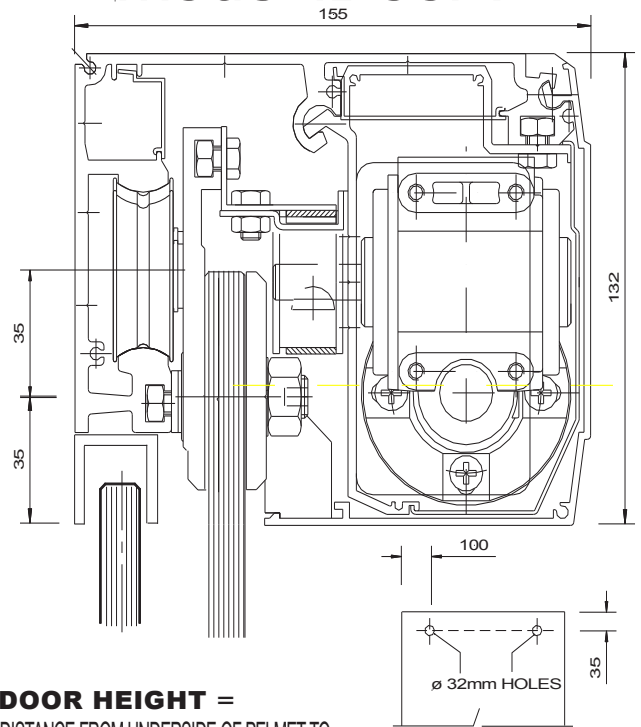
Opening width maximum	Operator length up to	3000 mm 6700mm
Total combined weight for biparting doors	Door weight per leaf	300 Kg 150 Kg
Opening speed per double leaf	variable	25-1300 mm/sec
Closing speed per double leaf	variable	25-1300 mm/sec
Door open dwell time, variable		0-60 sec <30 N
Manual opening/ closing force		132mm / 155 mm
Operator size height/depth		Yes / Yes
Fail safe/ fail secure		Yes
Airlock function		Yes
Press closed function		Yes
Climate control (reduced opening) function	Noise attenuation	Yes 32 db Optional
Keypad control		Yes
Safety stop		Yes
Safety return		Yes
Safety beam shut off when closed		Yes
Fire alarm activation		Yes
Exit only function		Yes
Battery Backup		Yes
UPS when locked		Yes
UPS in all conditions		Optional
Open closed positional signal		Optional
High security electric locking using motor lock technology		Optional
Locked / unlocked signal		Yes
Open closed positional signal		Yes
Memory setting retained without power	Operating Power	Yes
Appliance Rating		24 Volts 40 Watts
Memory setting retained without power supply		Yes

Model iDoor A



iDoor

Model iDoor F



DOOR HEIGHT =
 DISTANCE FROM UNDERSIDE OF PELMET TO
 HIGHEST FLOOR POINT, +70mm, LESS 10mm
 FOR FLOOR CLEARANCE = DOOR HEIGHT

**GLASS DOOR
 PREPARATION**

iDoor

ALL AUSTRALIAN AUTOMATIC DOORS

Phone: +61 1300 288 675

Fax: 1300 2347 329

Email: info@idoor.net.au

Web: idoor.net.au

iDoor