

# Combination Steam Oven, 60cm, 23 Function

Series 11 | Minimal

Black



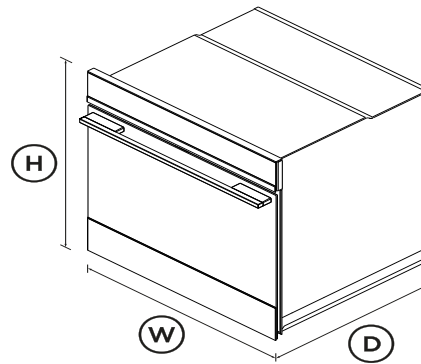
With a subtle black glass finish, this Contemporary style oven has 23 functions including steam-only, to effortlessly create healthy and delicious dishes.

- Precise temperature control with steam-only cooking, convection-only, or a combination of both
- 23 oven functions including Steam, Sous Vide, Air Fry and Vent Bake
- Designed to match with companion products such as vacuum seal drawers

- Guided touchscreen cooking makes it simple to cook by food, function or recipe

## DIMENSIONS

Height	598mm
Width	596mm
Depth	565mm



## FEATURES & BENEFITS

### DESIGN FREEDOM

Every detail has been carefully crafted from the finest materials to support a considered kitchen design. With a subtle black finish, this Minimal Style oven blends seamlessly, enhancing your kitchen design without dominating it. It's understated and elegant, whether on its own or part of a matching appliance set.

Pair with a Vacuum Seal Drawer for the ultimate kitchen solution.

### FROM STEAM TO SOUS VIDE

Fine amounts of steam are released with accuracy and precision at a range of temperatures, to ensure food is cooked gently and evenly. Perfect for entertaining, you can sous vide proteins such as steak and salmon before guests arrive, and simply sear when ready to serve. The flexibility of timing and accuracy of temperature control ensure perfect, predictable results every time.

### GENTLE AND HEALTHY

Steam functions allow you to cook food in its own juices to retain nutrients, moisture and flavour. With five steam-only cooking functions including Sous Vide, this oven lets you enjoy the benefits of flavourful and healthy restaurant-quality meals at home.

### MULTI-FUNCTION FLEXIBILITY

A truly multiple function oven where both steam-only and convection-only cooking mediums can stand on their own merits. You have the freedom to choose – whether it's dry heat or moist heat, or a combination of the two – each delivering different cooking results. A Wireless Temperature Sensor precisely monitors cooking in real time, giving you complete control.

### COOK WITH CONFIDENCE

Using the intuitive touchscreen interface, you can cook with a favourite method, a hero ingredient, or a go-to cooking function or recipe. Your oven will guide you through steps, or change temperature and heat type automatically, depending on your selection.

### REHEAT AND RESTORE

Reduce household food waste by reheating foods with steam, which helps to regenerate moisture levels and ensure meals come out fresh and delicious. Use Steam Regenerate to reheat leftover meals such as roasts and risotto, while Crisp Regenerate is perfect for refreshing pastries, breads and pizza.

### EXCEPTIONAL CONVECTION PERFORMANCE

AeroTech™ circulates heat evenly for a consistent temperature

throughout the cavity, while ActiveVent technology ensures optimised moisture levels when using convection functions. Achieve perfect results even when you're using multiple shelves.

## SPECIFICATIONS

### Accessories

Descal solution	<b>2 sachets, Part 580925</b>
Full extension sliding shelves	<b>2 sets</b>
Grill rack	<b>1 set</b>
Large solid dish	<b>1</b>
Perforated baking tray	<b>1</b>
Perforated large dish	<b>1</b>
Perforated small dish	<b>1</b>
Smokeless grill tray	<b>1</b>
Wired temperature sensor	<b>1</b>

### Capacity

Shelf positions	<b>6</b>
Total capacity	<b>85L</b>
Usable capacity	<b>72L</b>
Water tank capacity	<b>1.5L</b>

### Cleaning

Acid resistant graphite enamel	•
Descal cycle	•
Drying cycle	•
Removable oven door	•
Removable oven door inner	•
Removable shelf runners	•
Steam clean (oven)	•

### Controls

Adjustable audio and display	•
Automatic cooking/minute	•
Automatic pre-set	•
Celsius/Fahrenheit	•
Electronic clock	•
Electronic oven control	•
Guided cooking by food type	•
Intuitive touchscreen display	•
Multi-language display	<b>UK English, US English,</b>
Precise electronic temperature	•
Sabbath mode with Mehadrin	•
Wi-Fi connectivity	•

### Functions

Air fry	•
Bake	•
Classic bake	•
Crisp regenerate	•
Fan bake	•
Fan forced	•
Fan forced + High steam	•
Fan forced + Low steam	•
Fan forced + Medium steam	•
Fan grill	•
Grill	•
Number of functions	<b>23</b>
Pastry Bake	•
Pizza bake	•

Roast	•
Slow cook	•
Sous vide	•
Steam	•
Steam clean (oven)	•
Steam defrost	•
Steam proof	•
Steam regenerate	•
Vent bake	•
Warm	•

### Performance

ActiveVent™ system	•
AeroTech™ technology	•
Automatic rapid pre-heat	•
Grill power	<b>3000W</b>
SteamTechnology	•
Temperature range	<b>35°C - 230°C</b>
Whisper quiet cooking	•

### Power requirements

Amperage	<b>15A</b>
Supply voltage	<b>220 - 240V</b>

### Product dimensions

Depth	<b>565mm</b>
Height	<b>598mm</b>
Width	<b>596mm</b>

### Safety

- Advanced cooling system
- Balanced oven door
- Catalytic venting system
- Control panel key lock
- CoolTouch door
- Non-tip shelves



**A PEACE OF MIND SALE**

**24 Hours 7 Days a Week Customer Support**

**T 1300 650 590 W [www.fisherpaykel.com](http://www.fisherpaykel.com)**

---

**Warranty**

Parts and labour **2 years**

---

SKU **82245**

---

The product dimensions and specifications in this page apply to the specific product and model. Under our policy of continuous improvement, these dimensions and specifications may change at any time. You should therefore check with Fisher & Paykel's Customer Care Centre to ensure this page correctly describes the model currently available. ? Fisher & Paykel Appliances Ltd 2020