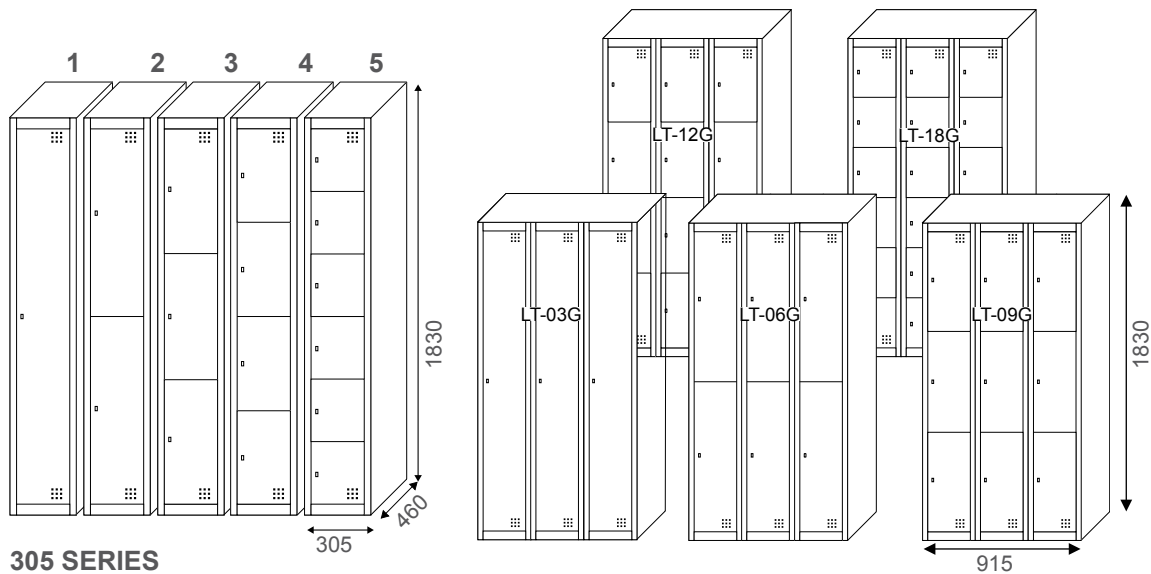
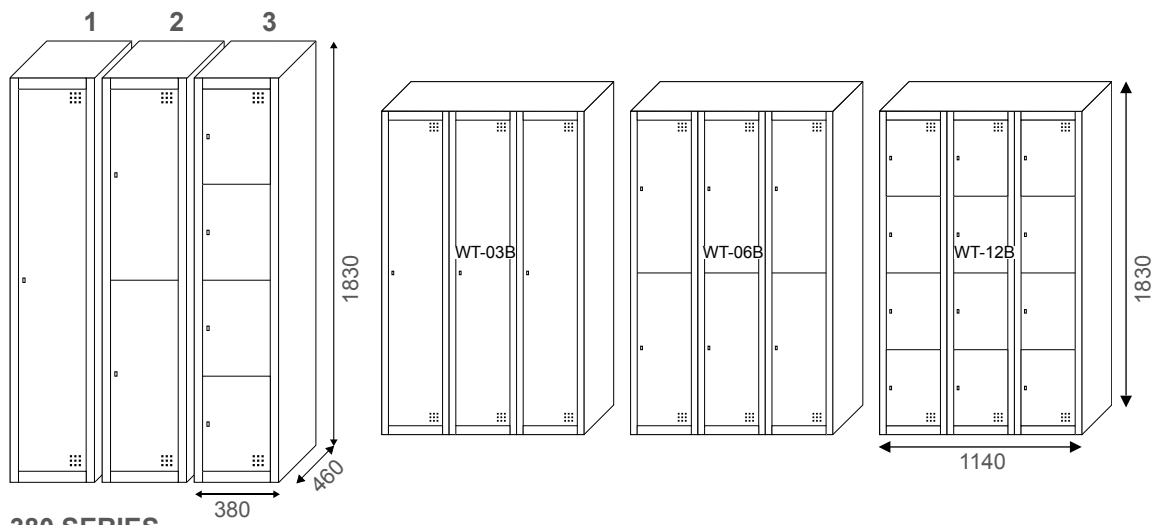


STEEL LOCKERS

excellockers.com.au
1800 019 266



305 SERIES



380 SERIES

305 SERIES

	CODE	DESCRIPTION
1	LS-01G	1 Door - with hanging rail
2	LS-02G	2 Door - with hanging rail
3	LS-03G	3 Door - large bag locker
4	LS-04G	4 Door - medium bag locker
5	LS-06G	6 Door - small bag locker

CLASSIC GREY

380 SERIES

	CODE	DESCRIPTION
1	WS-01B	1 Door - with hanging rail
2	WS-02B	2 Door - with hanging rail
3	WS-04B	4 Door - wide bag locker

CLASSIC BEIGE



STEEL Range – Functional & Economic

Excel's Steel range of lockers offer secure and well ventilated storage for personal belongings in industries, sporting clubs and commercial enterprises.

Manufactured in 2 widths with a variety of door configurations, coupled with keyed locks or provision for padlock locking, you will find a locker to meet your storage requirements.

FEATURES

- Durable metal construction
- Riveted assembly
- Supplied made up or flat-packed
- Welded door stiffeners
- Chrome coat rail fitted to 1 & 2 tier
- Tough and durable powdercoat finish
- Ventilation slots in all doors

SIZING

- Two widths available - 305mm and 380mm
- Height 1830mm x depth 460mm
- Wide range of configurations 1 - 6 doors
- Supplied as single units or in banks of 3

OPTIONAL NUMBERING



LOCKING OPTIONS

- Standard keyed Camlock or
- Latchlock for padlocking

