



rba

AMBULANT TOILET P-TRAP



RBA8841-156 Ambulant Toilet P-Trap

Materials & Features

Wall faced WC Pan is manufactured from heavy-gauge, type 304 stainless steel. External surface is satin finish. Internal surface is a unique matt satin ultra-smooth finish that is hygienic, easy to clean and resistant to scale build-up. The integral seat is bright polished for hygiene and comfort.

Trap: Seamless one-piece smooth bore trap with radiused bends. Formed with a minimum 50mm deep water seal.

Outlet: 100mm overall P-Trap outlet suitable for a standard pan collar.

Inlet: Back inlet, 55mm internal diameter water inlet socket, to accept standard key seal.

Fixings: Furnished with concealed wall-mounting frame and floor-fixing plate. To order tool to suit security screws, quote model # A111-99.

Options: For hinged seat options, please contact RBA Group.

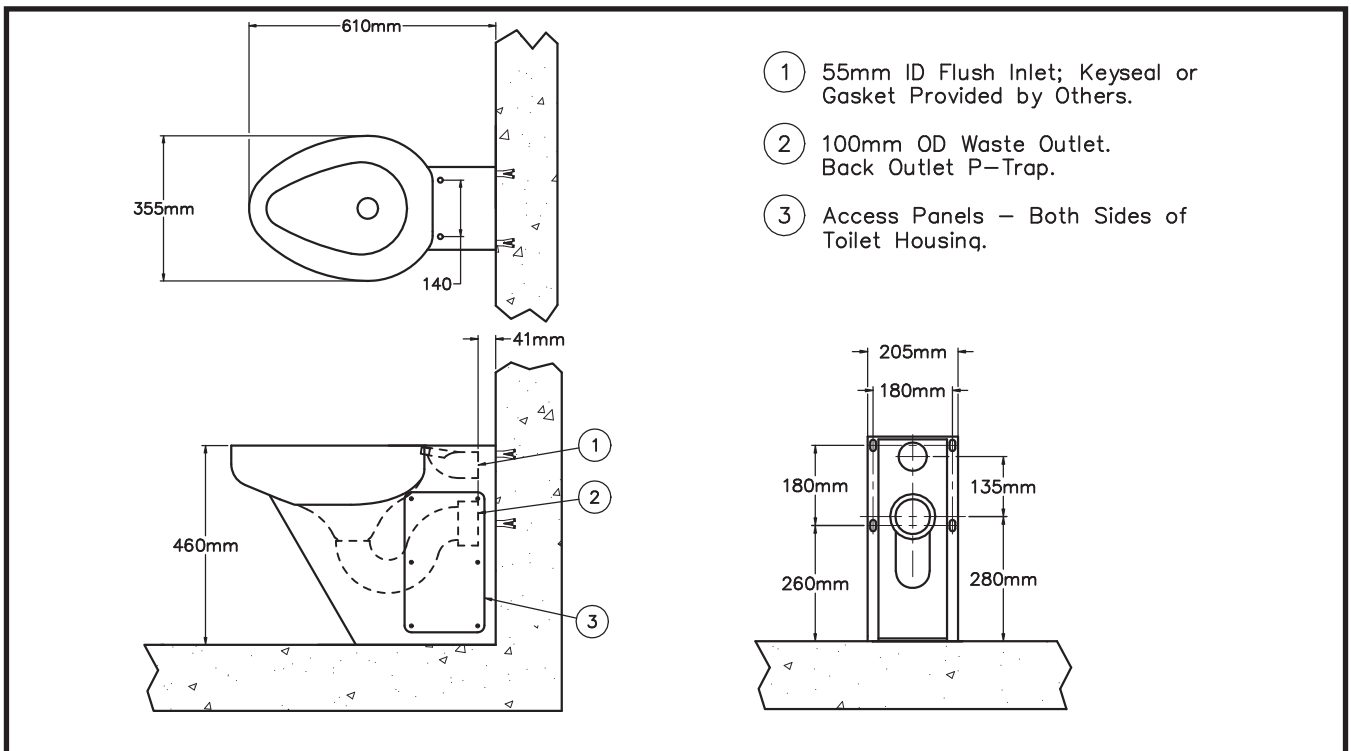
Performance Standards

Unit has WATERMARK certification from Standards Australia.

Installation

Ensure wall construction is suitable to support the unit. Unit is fixed to floor with concealed S-clip and fixed to wall-mounting frame with security screws provided. Anchors for wall-mounting to be supplied by others. Suitable for installing with a concealed duct mounted cistern or flush valve. Refer Installation Instruction for location of fixing points, trap outlet location, etc.

Important: Installation instructions and current rough-in details should be furnished with each fixture. Do not rough in without certified dimensions. Dimensions are subject to manufacturer's tolerance of +/-10mm.



As improvements in the design and performance of RBA products are continuous, specifications may be subject to change without notice. The illustrations and descriptions herein are applicable to production as of the date of this Technical Data Sheet. Revised 04/12

© 2012 by RBA Group TD/Model RBA8841-156/0412