



## APPLICATIONS



TOILET



HAND BASIN



ATS 5200.101  
Certificate No. 23186  
Manufacturer: SFA  
Brand: Saniflo

PRODUCT REFERENCE:  
SA106

## Sanicompact®

Sanicompact® is the first all in one macerating toilet suite. Adding a toilet is now as easy as one product. The compact design enables a toilet to be added where space is limited making Sanicompact® ideal for a powder room or laundry addition. It also features a water saving cistern-less flush and the ability to add a basin.



Requires a minimum dynamic pressure of 1.7 bar water supply pressure

### TECHNICAL CHARACTERISTICS

Discharge Pipework	25 mm
Motor Power	550 Watts
Voltages	220-240 V/50 Hz
Working Waste Water Temp	35°C
Product Weight	23.2 kg
Overall Measurements	440 x 462 x 388 mm
Dual flush	1.8 / 3 L
IP Rating	IP44

### WHY CHOOSE THIS PRODUCT?

A complete toilet suite with built in macerator

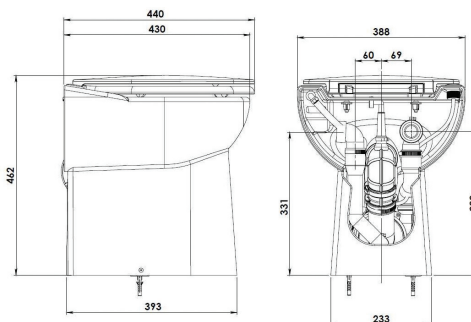
Cistern-less flush button connected directly to the domestic water supply

Features a soft-close toilet seat

Water saving flush system

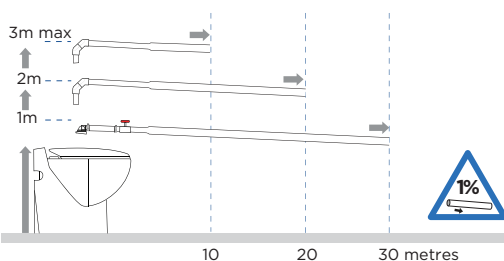
Floor mounting kit

Factory pre-mounted non return valve (supplied)

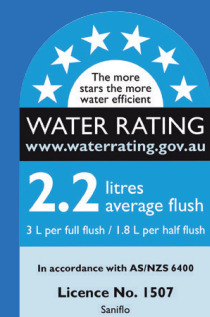
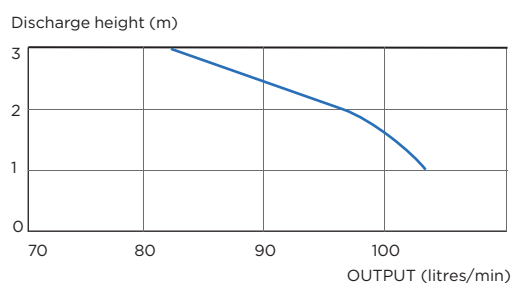


### VERTICAL/HORIZONTAL PERFORMANCE

Increase size of horizontal run by one pipe size after 5m. All horizontal pipework requires a minimum of 1:100 fall.



### FLOW RATE PERFORMANCE CHART



Shaking up water

Made in France to the highest standards, needs to be installed by a licensed plumber