

FINGERSAFE MK1C FITTING INSTRUCTIONS

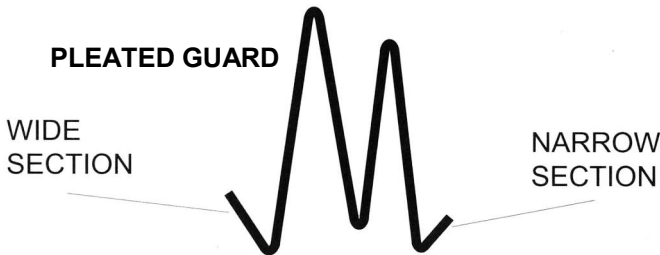
FOR DOORS FLUSH WITH FRAMES
AND BI-FOLD DOORS

www.fingersafe.com.au

21-25 Coora Road, Oakleigh South, VIC 3167

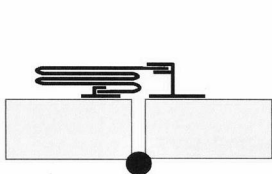
Tel: +61 3 9885 8009

Email: enquiry@fingersafe.com.au

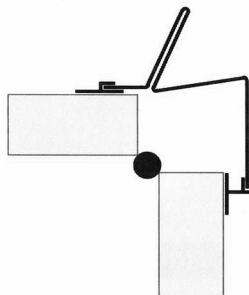


THIS PRODUCT USES THE STANDARD FINGERSAFE MODULE TOGETHER WITH THIS NEW FIXING STRIP

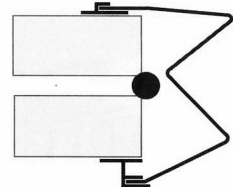
FIXING STRIP– use a Stanley knife to cut the strip into sections A and B before commencing installation.



CLOSED



90 DEGREE OPEN



180 DEGREE OPEN

WITH FINGERSAFE MODULE FITTED

Please note: The screws provided for installation are for wood and metal; if installing in wood, make sure the electric screwdriver is set to a low tension.

STEP 1

Check the firmness of the door hinges (in the case of bi-fold doors the frame hinge and sections) to check for damage and to be sure the door closes - if the door closes easily without Fingersafe it will continue to do so once Fingersafe MK1C is fitted

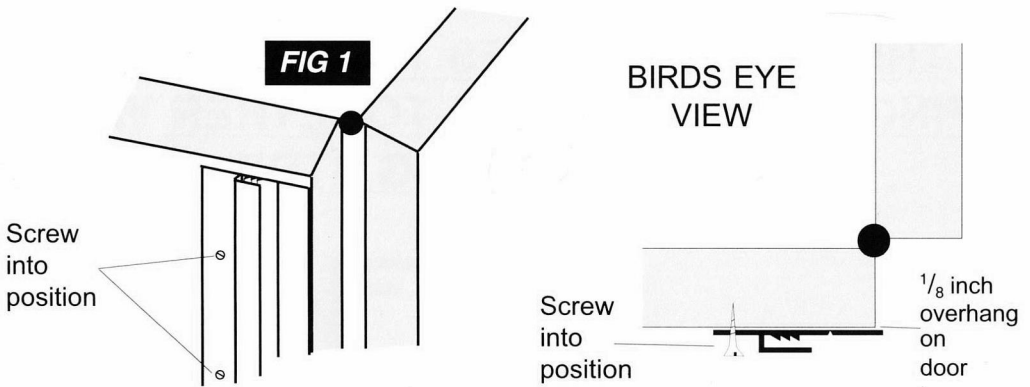
STEP 2

Cut module with sharp scissors or tin snips and fixing strips with hacksaw to fit the height of the door, ensuring that both finish not less than 20mm (3/4 in) short of the door top and bottom, most strips do not need to be cut at all. Do not cover kickplates if they are more than 3mm (1/8 inch) proud of the door face.

STEP 3

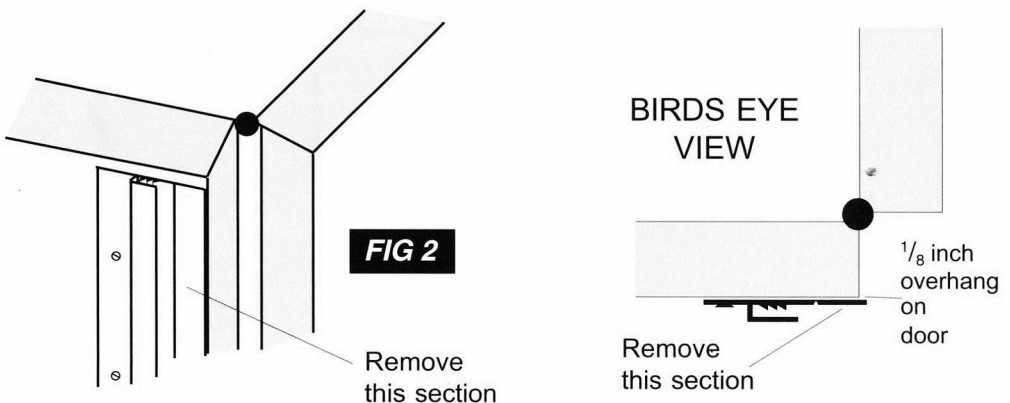
Open the door/bi fold to 90 degrees, attach fixing strip A to the door frame or bi-fold door the leading edge must overhang the inside edge of opening by 1/8 inch.

SEE FIG 1



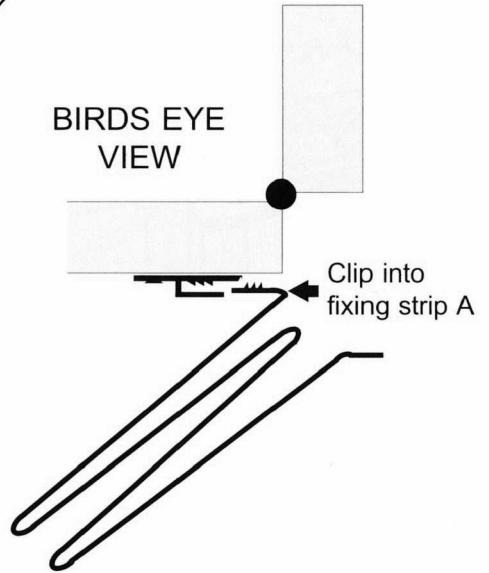
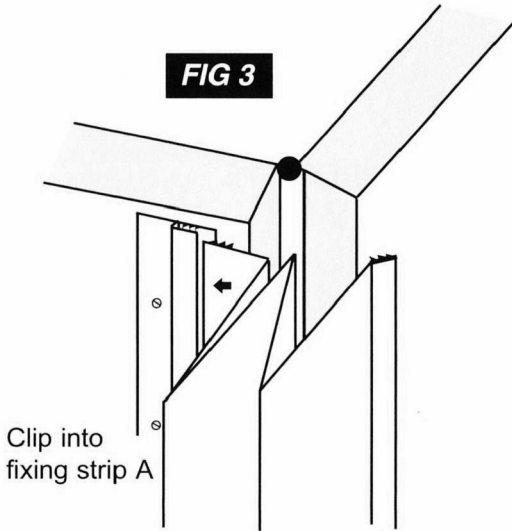
STEP 4

Remove 10mm section by cutting along grooved line with Stanley type blade **SEE FIG 2**



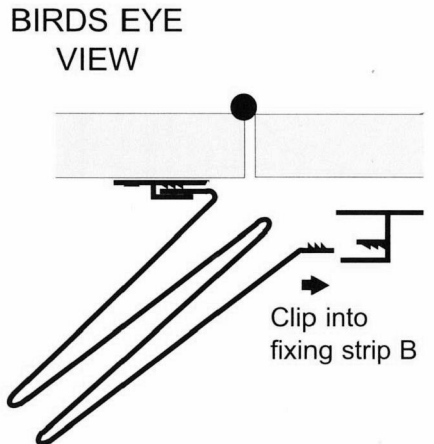
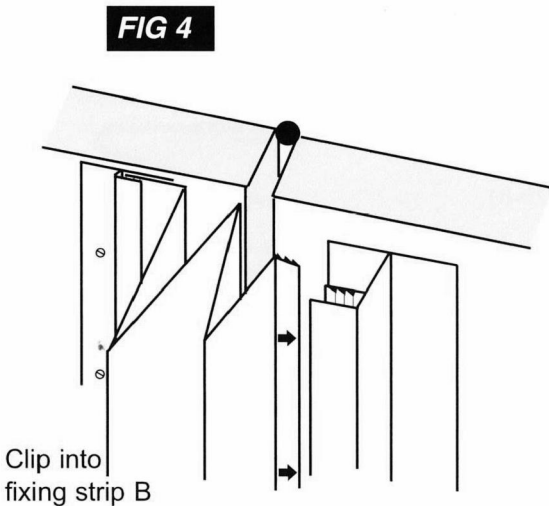
STEP 5

Clip the Fingersafe module wide section into the fixing strip A starting at the top being sure it is fully locked into the serrations **SEE FIG 3**



STEP 6

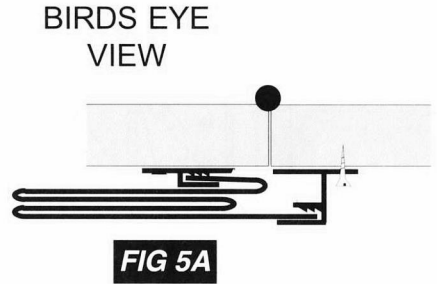
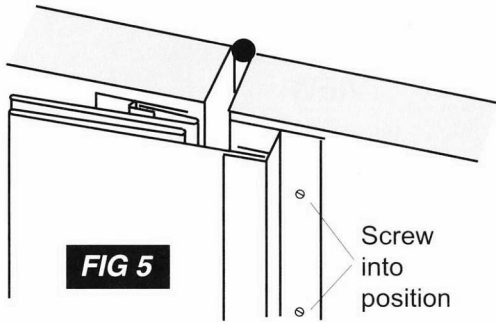
Take the fixing strip B and clip onto the module narrow section being sure that it is fully locked into position **SEE FIG 4**



PLEASE TURN OVER PAGE

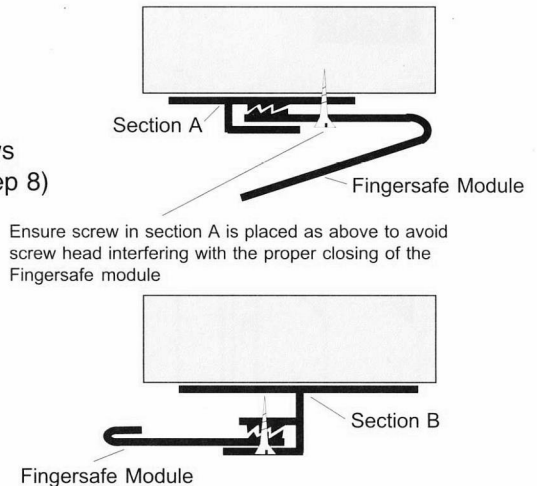
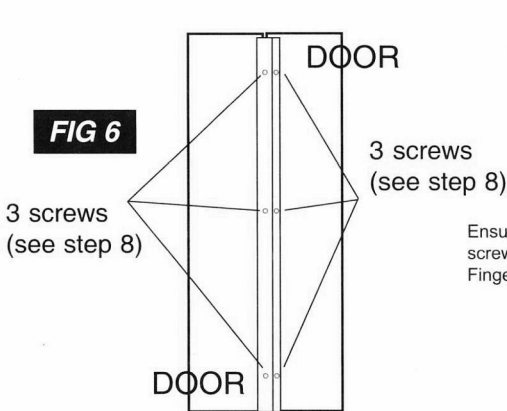
STEP 7

Close the door/Bi-Fold and lay the fixing strip with module against the door and screw into position making sure Fingersafe lays flat against door **SEE FIG 5A**



STEP 8

After opening and losing the door to ensure that the Fingersafe is working as diagrams 1, 2 & 3 attach 3 extra screws top, middle and bottom to both side of unit through both fixing strip and module **SEE FIG 6**



THESE INSTRUCTIONS MUST BE FOLLOWED PRECISELY IN ORDER TO VALIDATE THE 2 YEAR GUARANTEE