

Zip HydroTap for your home

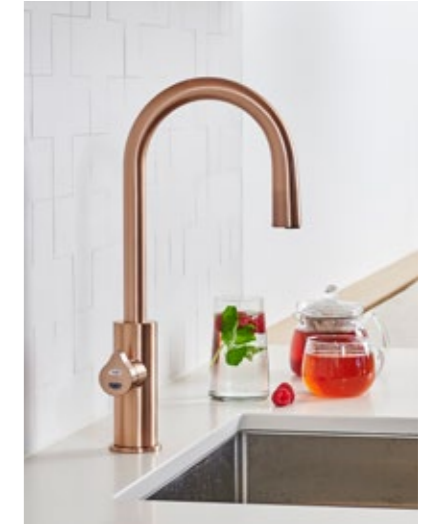


PURE-TASTING | INSTANT | **BOILING** | CHILLED | SPARKLING



POWERED BY
G5
TECHNOLOGY

Water at its best



Introduction	2
Water at its best	3
Say hello to Classic Plus	7 & 8
G5 technology	9 & 10
Filtration technology	11
HydroTap home owners	12
Widest range and finishes	13 & 14
Sustainable choice	15
Safe instant water	15
Zip service difference	16
Zip innovation history timeline	17 & 18

HydroTap Classic range	
Classic Plus	20
HydroTap Design range	
Arc Plus	22
Cube Plus	23
Elite Plus	24

HydroTap Celsius range	
Celsius All-In-One	26
Celsius Arc	27

Chilled water taps	
ChillTap Sparkling	29
ChillTap	30
ChillTap Extra	30
Miniboil Classic	31
Filtered water taps	
3 Way Filtered Mixer Tap	33
Filter Tap	33

Non-Filtered Mixer Taps	
Arc Mixer	35
Cube Mixer	35
Accessories	36
HydroTap Product Selector	37 & 38

Technical information	39
Technical Data	40 & 41

75
CELEBRATING
1947-2022



75 years of innovation

As we mark our 75th anniversary, we are thrilled to share with you our latest technology. With unrivalled expertise in instant filtered boiling, chilled and sparkling water, Zip Water is known globally for being home to the Zip HydroTap, which dispenses pure-tasting water at the touch of a button.

Founded in Australia in 1947, we've always been innovators, advancing and perfecting our drinking water technology for decades. Today, we're proud to provide workplaces, in over 70 countries across the world with the purest tasting water possible from our range of Zip HydroTaps.

Access the latest water filtration technology for pure-tasting water. Convenience at the touch of a button for instant boiled, chilled and sparkling water. Stylish designs and finishes to suit any kitchen and declutter bench space for efficiency.

Start drinking more, saving time, saving energy and seeing the benefits to your family's wellbeing from your very first glass.

Welcome to the Zip HydroTap family. We thank you for your support as we embark on another 75 years of delivering water at its best.

John Doumani, President Zip Industries

Featured product
HydroTap Classic Plus in Matte Black finish



Water at its best with Zip HydroTap

Convenience of instant pure-tasting water at the touch of a button

With filtered boiling, chilled and sparkling, plus hot and cold water instantly, we offer the widest choice of water options on the market. So, whether you're filling a plunger of coffee, a glass of cool, crisp drinking water or a sink of washing up water, the choice is at your fingertips.



FILTERED
BOILING



FILTERED
CHILLED



FILTERED
SPARKLING



FILTERED
AMBIENT



UNFILTERED
HOT & COLD



POWERED BY
G5
TECHNOLOGY

Powered by our latest G5 technology

Embodying functionality, the HydroTap is ideal for those who want appliances that save time, reduce energy, are straightforward to use, simple to maintain and make life in the kitchen a whole lot easier.

Access pure-tasting water thanks to our advanced MicroPurity filtration. Say goodbye to bottled water taking up valuable fridge space and slow, energy-guzzling kettles cluttering your countertops. Welcome the convenience of cooking, sterilising bottles and making tea or coffee with instant boiling water and the handiness of pouring a perfectly chilled still or sparkling glass of water whenever you need it.

Experience water at its best with HydroTap at home

Pure-tasting boiling, chilled and sparkling water in an instant, delivered seamlessly with a Zip HydroTap. There is a HydroTap to suit every kitchen. A Zip HydroTap can be a simple addition to your current kitchen or part of a larger kitchen renovation, and our Zip service technicians are expert professionals who can install your HydroTap in your home.

Add a HydroTap in addition to your existing mixer tap

Have the best of both worlds by adding a HydroTap over your kitchen sink to access pure-tasting boiling, chilled and sparkling water instantly. We have a wide range of HydroTap styles that will complement your existing sink mixer tap.



Choose a HydroTap with a new matching mixer tap

If you want to match your sink mixer tap with your new HydroTap, we also offer mixer tap styles in 7 modern finishes to complement any kitchen.



Add a HydroTap onto a benchtop

Add a HydroTap on a kitchen island or butler's pantry for a designer hydration station in your home. A HydroTap can be installed on a counter with a matching font to catch any excess water.



The ultimate all-in-one solution for all your water needs

Our most popular HydroTap All-In-One style offers an integrated system with filtered drinking water, plus hot and cold tap water for washing up, all from the one elegant tap. Streamline your bench space and declutter your kitchen.



Zip HydroTap certified installation

For professional results, let Zip Water take care of the installation. Our skilled service technicians will install and set up your HydroTap so you can start enjoying instant pure-tasting water as soon as possible.

Experienced & certified installers

As certified installation specialists, we will install your new HydroTap including stone cutting for tap and/or font installations*.

Full national coverage

With more than 100 Zip certified technicians and 350 authorised service providers across the country, Zip Water can ensure coverage for your installation and service needs.

Experts in residential installation

Access our certified installation team, experienced in navigating around residential kitchens and equipped with all necessary tools to complete your HydroTap installation*.

Product demonstration

Zip HydroTap certified installation includes a product demonstration to show how to get the most out of your new HydroTap system and answer any questions you may have.

High customer satisfaction

We strive to deliver exceptional customer service and take pride in our customer satisfaction. 80% of our customers have rated our Zip Water service technicians 9 or 10/10 demonstrating our commitment to you, our customers.

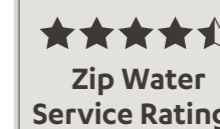
Arrange a Zip HydroTap certified installation



Add installation to your order when visiting your nearest retailer



Purchase directly at zipwater.com/hydratap-installation



*Installation service is available in Australian metro areas only where suitable power and water are available within 1 metre of the installation location. Installation must be within 70 kilometres of metro areas. Includes stone cutting for tap and/or font installation but excludes cutting of fixtures or major plumbing modifications. *Zip Water Service Net Promoter Survey, Feb 21-Feb 22.

Say hello to Classic Plus & Elite Plus

Enjoy pure-tasting boiling, chilled and sparkling water instantly with Zip HydroTap, powered by our most advanced G5 technology.

Sleek design meets slick function

With simple, intuitive controls including continuous flow to fill bottles and coming in seven ultra-modern finishes, HydroTap Classic Plus and Elite Plus will add designer style to any kitchen.

Smarter and more personalised

Create your preferred settings with a few touches using the optimised new menu in the HydroTap G5 command centre. Select energy modes and usage settings for easier customisation.

Setting the hygiene standard

Zip HydroTap G5 has antimicrobial protection impregnated within key water surfaces as well as on the new touch-pad for enhanced hygiene.



Classic Plus

Elite Plus



Classic Plus - 2021 Accolade Winner

in the Product Design Domestic Appliances category in recognition for outstanding design and innovation.



The evolution of Arc Plus and Cube Plus

Elevate your kitchen with HydroTap Arc Plus and Cube Plus, our latest addition to the Zip HydroTap range.

Sophisticated elegance

HydroTap Arc Plus and Cube Plus will add a stylish finish to all kitchens with its designer silhouette, balancing the on-trend tap styles with our G5 technology to deliver boiling, chilled and sparkling water on demand.

Essential for the entertainer

Enjoy instant access to perfect refreshments with pure-tasting water at the press of a button. HydroTap Arc Plus and Cube Plus offers enhanced sparkling & chilled water delivery with the optimised aerator hidden inside the elegant spout of the tap.



Arc Plus

Cube Plus

Available in 7 ultra-modern finishes to suit any designer kitchen.



Arc Plus & Cube Plus - 2023 Accolade Winner

in the Product Design Domestic Appliances category in recognition for outstanding design and innovation.



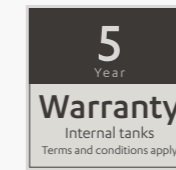
Powered by new G5 technology

Leading the way in performance and functionality, Zip's fifth generation G5 technology continues to deliver the convenience you would expect from a HydroTap. Perfected over 70 years of development and innovation, HydroTap G5 transforms tap water into a form you will love, in an instant.



HydroTap product warranty

Zip HydroTap G5 is backed by a 36 month comprehensive parts and labour warranty, plus a further 24 months on internal tanks.



PowerPulse technology



Our innovative Zip PowerPulse technology maintains stored boiling water to within 0.2°C of your set temperature, meaning no energy or time is wasted waiting for water to boil.

Unique safety features



Zip boiling water is delivered smoothly and the tap has a safety lock to facilitate safe boiling water delivery.

Air-cooled system



Our unique air-cooled refrigeration system is 100% water efficient.

Auto-diagnostics



An advanced auto-diagnostics system continuously monitors your HydroTap's performance.

MicroPurity™ filtration



Inbuilt 0.2 micron NSF-certified filter incorporating innovative silver ion antimicrobial technology means healthier, pure-tasting water.

Antimicrobial protection



Impregnated inside materials in contact with key water paths in HydroTap for added protection against surface bacteria.

CO₂ level indicator



New feature in the command centre shows when CO₂ gas is running low.

Smart Customisation



New optimised menu in the G5 HydroTap command centre allows you to select energy modes and usage settings for easier customisation.



Pure-tasting filtered water with Zip MicroPurity filtration

At Zip Water, we put water quality at the heart of our offering, with perfectly filtered boiling, chilled and sparkling water instantly.

Our mission is to help our customers to enjoy pure-tasting water, on tap, all the time, and that is why only the best tasting water will do.

Advanced filtration in every HydroTap system

Zip MicroPurity filters use triple action technology to deliver innovative 6-in-1 filtration, removing up to 99.8% of contaminants throughout their life.

Easy to maintain

We recommend changing your filter once a year for residential customers, so your Zip HydroTap system continues to perform at its best. Our MicroPurity filters are easy to change with a hygienic cartridge and our qualified service technicians can also perform filter changes for your convenience.

Trust Zip genuine filters

Every Zip HydroTap system comes with a genuine MicroPurity 6-in-1 filter, certified to reduce the 6 most harmful contaminants, including the ones you can't see, smell or taste.

Zip MicroPurity filters are certified to reduce:

- Cryptosporidium and Giardia
- Chlorine Taste and Odour
- Sediment
- Lead
- Limescale
- Bacteria Growth

Genuine Zip MicroPurity filters are tested and certified to NSF Standard 42 (Aesthetic Effects) and 53 (Health Effects) to ensure they meet the highest standards.

Crystal clear pure-tasting water



**MICROPURITY™
FILTRATION**

SAFELY FILTERS DOWN TO 0.2 MICRON



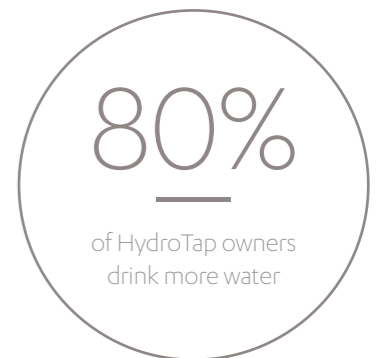
Zip HydroTap owners drink more water

Whether you're striving to live a healthier lifestyle, or boost the wellbeing of your family, staying hydrated is key – a feat that has never been quicker or easier with Zip HydroTap. In fact, our research shows that 80% of HydroTap owners drink more water than before*.

Transforming ordinary tap water into the purest-tasting filtered boiling, chilled and sparkling water, you'll not only start drinking more, you may also enjoy a host of mental and physical health benefits; from improved concentration, cardiovascular, muscle and joint health, right the way through to keeping your body cool, skin supple and cleansing toxins from the body.

With a taste that's truly irresistible, it's easy to see why.

*Research carried out to 340 existing Zip HydroTap customers



Triple Action Technology

1. Removes particulates greater than 5 micron

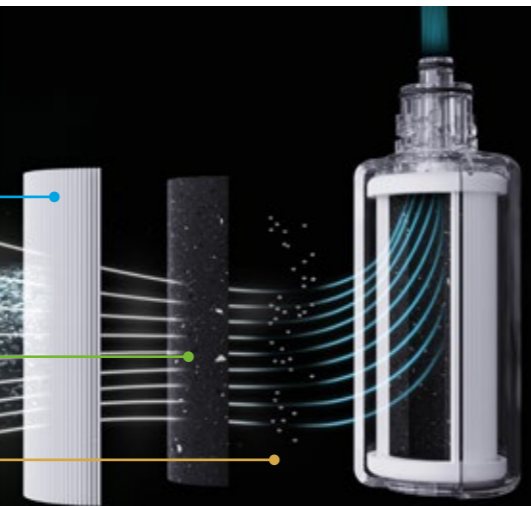
Pleated membrane pre-filtration

2. Reduces sediment, microplastics, lead, chlorine taste and odour, bacteriostatic effects and cysts to 0.2 micron.

0.2 micron Fiberdyne treated carbon block

3. Reduces limescale build up

Limescale inhibitor



The widest range of designs and finishes



Classic Plus



Elite Plus



Arc Plus



Cube Plus



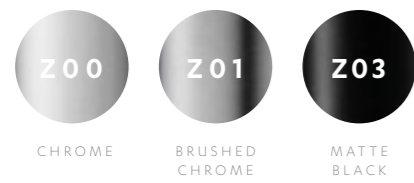
Celsius Arc



Celsius All-In-One

Popular finish options

Whether you opt for a classic Chrome or stylish Matte Black, our range of timeless popular finishes has been designed to sit seamlessly in a wide range of kitchen designs, from contemporary to traditional.



Platinum finish options

Taking the HydroTap from a kitchen appliance you can't live without to a striking design accessory, our platinum finish options include stylish metallic finishes, each stunning in its own right.



The sustainable choice

Sitting beneath a sleek and stylish tap, the HydroTap houses the latest in advanced energy efficient technology.

Eliminates the need for bottled water reducing your environmental impact

Eliminates the need for kettles for highly efficient instant boiling water delivery

World class environmental credentials providing transparent product life cycle impact

*oceanrangers.org/plastic-crusades/plastic-statistics/

Australians buy **over 580 MILLION** litres of bottled water a year.
Much of which ends up in **LANDFILL** and on our **BEACHES**†



Smart energy saving modes that powers down the unit when not in use

Utilises air-cooled technology, making HydroTap 100% water efficient

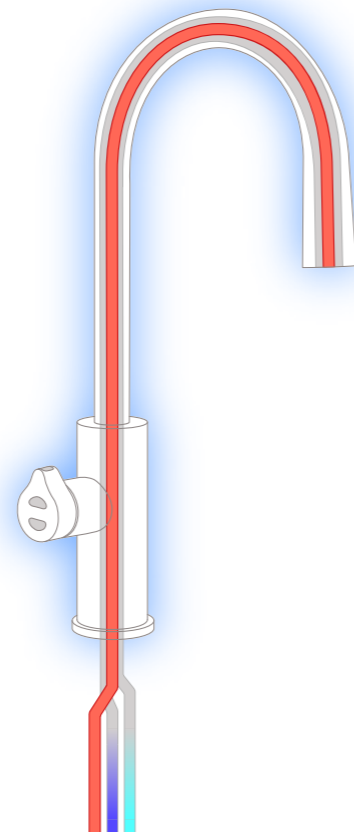
The safest instant boiling water

Boiling water safety lock

Unique boiling water dispensing safety features requires a dual action reducing the likelihood of accidentally activating the boiling water which means little ones are safer.

Cool touch tap

The HydroTap is cool to the touch and does not produce any spluttering steam, which means it is always safe to use.



The Zip service difference



Our highly skilled network of mobile technicians and friendly customer service team are here to help keep your Zip products in top working order. Our certified technicians install HydroTaps across residential and commercial kitchens, and we can help to maintain any drinking water systems.

Full national coverage

With more than 100 Zip certified technicians and 350 authorised service providers across the country, trained and qualified support is never far away.

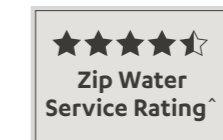
Be informed with updates

Get up-to-date SMS notifications when your Zip service technician is on their way to your service call to save you time in your day.

Fast and efficient

Every Zip service technician carries a range of spare parts, genuine filters and CO₂ cannisters to repair on first time attendance, which means you can get back to enjoying your fresh, filtered water in no time.

High customer satisfaction

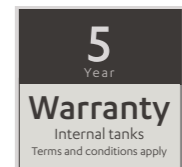


We aim to provide our customers with professional care at a high standard and take pride on our level of service.

Professional repairs and maintenance

Zip certified technicians are factory trained with years of experience to ensure you receive efficient, reliable and prompt service and repairs.

HydroTap Product Warranty



HydroTap certified installation

Zip Water offers an installation service, with a national fleet of certified installers who can install your HydroTap in any kitchen.

Our certified installers will make sure your HydroTap is up and running in no time and includes stone cutting for tap and font installation.

Available in Australian metro areas only where suitable power and water are available within 1 metre of the installation location, excludes cutting of fixtures and major plumbing modifications





A history of drinking water innovation for over 75 years

Zip Water is a world-leading designer and manufacturer of instant boiling, chilled and sparkling filtered water solutions. Zip Water invests in Australian-based innovation design and world-class manufacturing to continually enhance water quality, functionality, energy efficiency and aesthetic appeal. Recognised as a global innovator, Zip Water's products are sought after and installed in over 75 countries worldwide, providing homes and workplaces with the purest-tasting, safest and cleanest water possible.

- 1947**
 Zip founded in Australia as a manufacturer of sink & bath heaters
- 1975**
 Zip introduces the world's first small On-Wall instant boiling water system
- 1980**
 Miniboil On-Wall instant boiling water launches for residential kitchens
- 1984**
 Zip Miniboil wins Australian design award
- 1988**
 Zip specified into Parliament House, Canberra
- 1991**
 Zip opens in the UK and soon wins a place in 10 Downing Street
- 1993**
 Zip upgrades technology for Hydroboil On-Wall instant boiling water
- 1996**
 Zip launches HydroTap underbench instant boiling water
- 2004**
 Zip HydroTap redesign wins Australian Design Mark
- 2007**
 Zip launches advanced electronically controlled Hydroboil
- 2012**
 Zip launches world's first boiling, chilled and sparkling water on tap
- 2014**
 Zip launches G4, the fourth generation of HydroTap
- 2015**
 Zip launches Design Range with three new styles
- 2016**
 Zip introduces eight new platinum finishes
- 2017**
 Zip launches Celsius All-In-One Arc
- 2018**
 Zip launches HydroChill high capacity sparkling systems
- 2019**
 Zip launches Micro, our smallest drinking water system
- 2020**
 Zip launches HydroTap Touch-Free Wave, a 100% contactless solution
- 2021**
 Zip launches HydroTap GS, the fifth generation of HydroTap and UltraCare
- 2022**
 Zip launches Arc Plus and Cube Plus
- 2023**
 Zip launches Celsius Plus All-In-One Pull-Out. Five water types, with snag-proof pull-out sprayer



ZIP HYDROTAP

Classic range



Featured product
Zip HydroTap Classic Plus
in Brushed Chrome finish

Classic Plus

Featured product
HydroTap Classic Plus installed over sink
in Matte Black finish

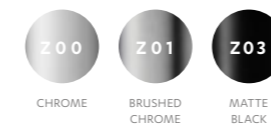
Offering the choice of instant filtered boiling, chilled or sparkling water, or all three in any combination, from the iconic design of the Classic HydroTap now evolves to Classic Plus. This will be a much-loved and popular choice suited to any home.



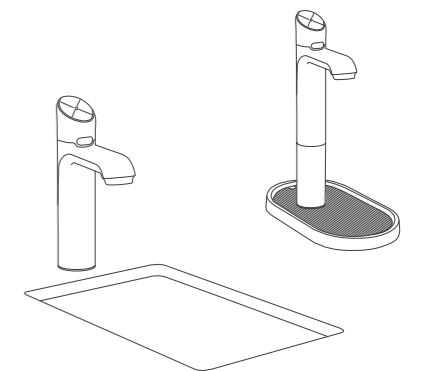
Available water options & finishes:

FILTERED: BOILING CHILLED SPARKLING	FILTERED: BOILING CHILLED	FILTERED: CHILLED SPARKLING	FILTERED: CHILLED	FILTERED: BOILING AMBIENT	FILTERED: BOILING
🔥❄️💧	🔥❄️	❄️💧	❄️	🔥💧	🔥

POPULAR



PLATINUM



HydroTap Classic Plus can be installed over sink or optional font.

ZIP HYDROTAP

Design range



Featured product
HydroTap Arc Plus in
Chrome finish

Arc Plus

Featured product
HydroTap Arc Plus installed over sink
in Chrome finish

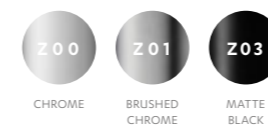
Timeless and enduringly classic, the HydroTap Arc Plus is an elegant choice. With its curved 'swan neck', it will complement any kitchen - from traditional to contemporary.



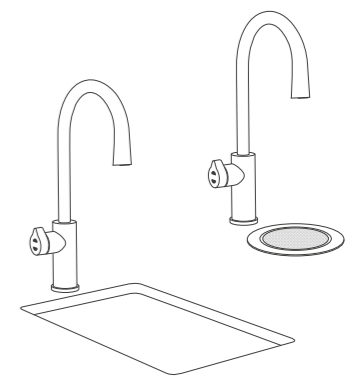
Available water options & finishes:

FILTERED: BOILING CHILLED SPARKLING	FILTERED: BOILING CHILLED	FILTERED: CHILLED SPARKLING	FILTERED: CHILLED	FILTERED: BOILING AMBIENT	FILTERED: BOILING

POPULAR



PLATINUM



HydroTap Arc Plus can be installed over sink or optional font

Cube Plus

Featured product
HydroTap Cube Plus installed over sink
in Chrome finish

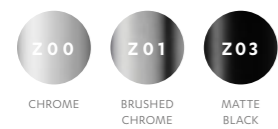
For a truly contemporary twist on a classic, the HydroTap Cube Plus is a modern kitchen's dream. A design statement in its own right, the angular Cube Plus echoes a square shape, which is softened by its rounded corners.



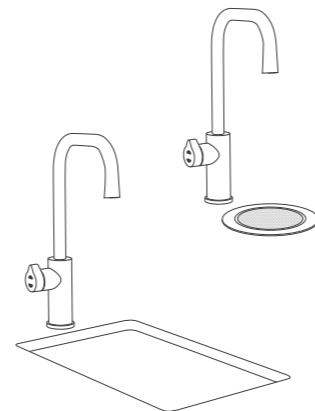
Available water options & finishes:

FILTERED: BOILING CHILLED SPARKLING	FILTERED: BOILING CHILLED	FILTERED: CHILLED SPARKLING	FILTERED: CHILLED	FILTERED: BOILING AMBIENT	FILTERED: BOILING

POPULAR



PLATINUM



HydroTap Cube Plus can be installed over sink or optional front

Elite Plus

Featured product
HydroTap Elite Plus installed over sink
in Gunmetal finish

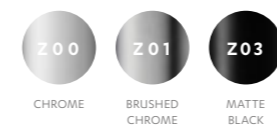
The HydroTap Elite Plus streamlined design and clean lines are sure to please, if minimalist and understated is more your style in the heart of the home.



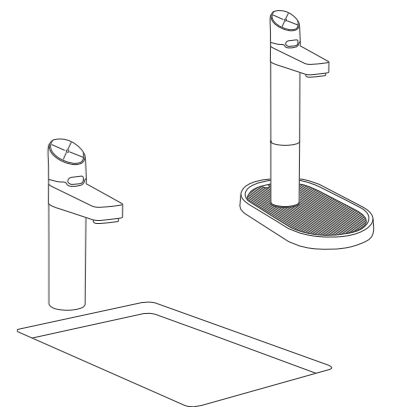
Available water options & finishes:

FILTERED: BOILING CHILLED SPARKLING	FILTERED: BOILING CHILLED	FILTERED: CHILLED SPARKLING	FILTERED: CHILLED	FILTERED: BOILING AMBIENT	FILTERED: BOILING

POPULAR



PLATINUM



HydroTap Elite Plus can be installed over sink or optional front

ZIP HYDROTAP

Celsius range



Featured product
Most popular style
 HydroTap Celsius All-In-One
 in Chrome finish

Celsius All-In-One

Featured product
 HydroTap Celsius All-In-One installed
 over sink in Matte Black finish

The ultimate in functionality, the All-In-One Celsius Arc is fitted over your sink and offers all five water types – filtered boiling, chilled and sparkling drinking water, plus unfiltered hot and cold water – from a single tap. And it's all wrapped up in Zip's enduringly stylish Arc design.

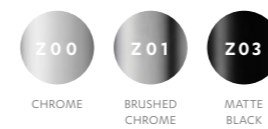


*This product needs a hot and cold water supply

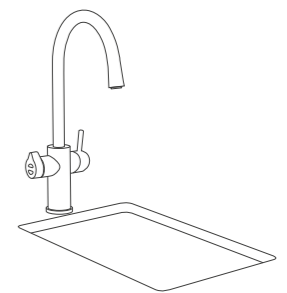
Available water options & finishes:

FILTERED: BOILING CHILLED SPARKLING	UNFILTERED: HOT & COLD	FILTERED: BOILING CHILLED	UNFILTERED: HOT & COLD

POPULAR



PLATINUM



HydroTap Celsius All-In-One can be installed over sink only

Celsius Arc

Featured product
HydroTap Celsius Arc installed over sink
in Brushed Rose Gold finish

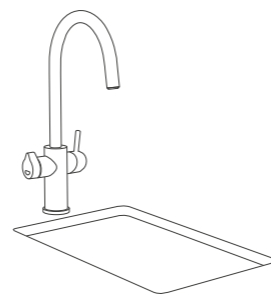
Offering the same stylish designs, but with an added space-saving benefit, the Celsius Arc deliver your choice of filtered boiling, or chilled or chilled and sparkling water, alongside unfiltered hot and cold water for washing up. So there's no need for a separate mixer tap.



*This product needs a hot and cold water supply

Available water options & finishes:

FILTERED: CHILLED SPARKLING	UNFILTERED: HOT & COLD	FILTERED: CHILLED	UNFILTERED: HOT & COLD	FILTERED: BOILING	UNFILTERED: HOT & COLD



POPULAR

- Z00**
CHROME
- Z01**
BRUSHED
CHROME
- Z03**
MATTE
BLACK

PLATINUM

- Z05**
BRUSHED
ROSE GOLD
- Z07**
BRUSHED
GOLD
- Z09**
GUNMETAL
- Z11**
BRUSHED
NICKEL

HydroTap Celsius Arc can be installed over sink only

Chilled water taps



Featured product Zip Chilltap Sparkling in stainless steel

ChillTap Sparkling

Featured product
Zip ChillTap Sparkling
installed with optional font

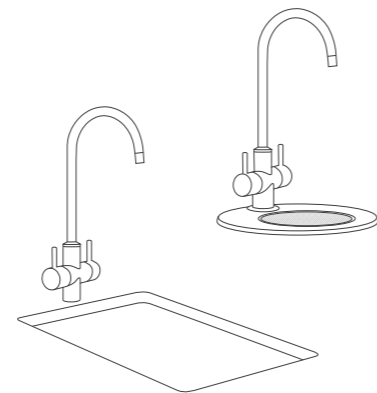
With filtered chilled and sparkling water, the ChillTap Sparkling is great for those that crave bubbles in their glass and offers a healthy alternative to sugary, fizzy drinks.



Available water options & finishes:



STAINLESS STEEL



ChillTap Sparkling can be installed over sink or optional font

ChillTap

Featured product
Zip ChillTap installed
with optional font

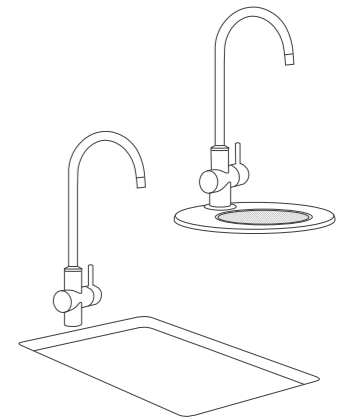
Producing filtered chilled water, this tall and slim tap provides a cheaper and more sustainable solution to still bottled water.



Available water options & finishes:



CHROME



ChillTap can be installed over sink or optional font

ChillTap Extra

Featured product
Zip ChillTap Extra
installed over sink

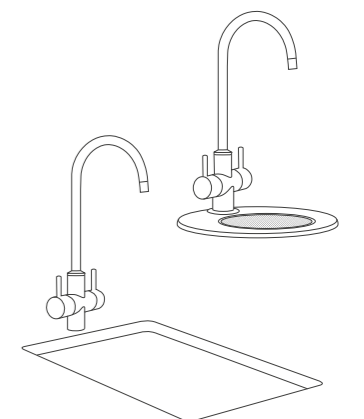
Producing filtered chilled water from an elegant design, the ChillTap Extra has the added benefit of filtered ambient water.



Available water options & finishes:



CHROME



ChillTap Extra can be installed over sink or optional font

Miniboil Classic

Featured product
HydroTap Miniboil Classic installed with optional font in Chrome finish

Enclosed in understated yet timeless design, the compact and simple-to-use Miniboil Classic offers filtered boiling and ambient water at the touch of a button.

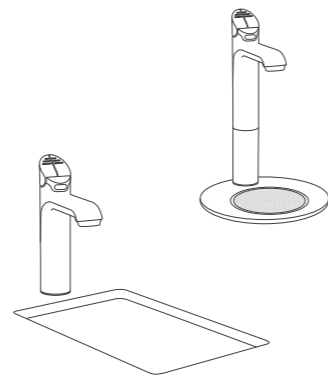


Available water options & finishes:

FILTERED: BOILING AMBIENT	FILTERED: BOILING

POPULAR

- Z00**
CHROME
- Z01**
BRUSHED
CHROME
- Z03**
MATTE
BLACK



HydroTap Miniboil Classic can be installed over sink or optional font



Filtered water taps

Featured product Zip 3 Way Filtered Mixer Tap in stainless steel

3 Way Filtered Mixer Tap

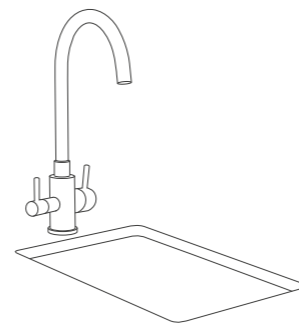
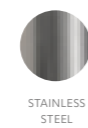
Featured product
Zip 3 Way Filtered Mixer Tap
installed over sink

The stylish 3 Way Filtered Mixer Tap delivers unfiltered hot and cold water for washing up as well as ambient filtered drinking water all from the one tap.



Available water options & finishes:

FILTERED: AMBIENT	UNFILTERED: HOT & COLD
●	●



Zip 3 Way Filtered Mixer Tap can be installed over sink only

Filter Tap

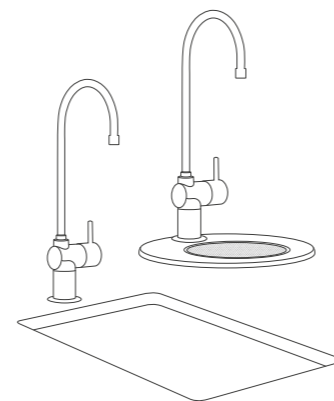
Featured product
Zip Filter Tap installed
over sink

Following the same sleek design as the ChillTap, the Filter Tap produces filtered ambient water. Great for those that prefer their water cold, but not chilled.



Available water options & finishes:

FILTERED: AMBIENT
●



Filter Tap can be installed over sink or optional font

Non-Filtered Mixer Taps



Featured product Zip Non-Filtered Arc Mixer Tap
with HydroTap Elite Plus in Brushed Gold finish

Arc Mixer Tap

Featured product
Zip Arc Non-Filtered Mixer Tap installed over sink with matching HydroTap Arc Plus in Chrome finish

Complement your Design Range HydroTap with a matching mixer tap for non-filtered hot and water to suit any kitchen.



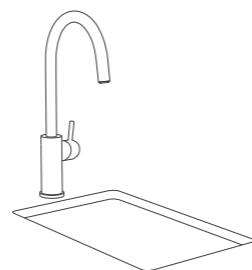
Available finishes:

POPULAR

- Z00
CHROME
- Z01
BRUSHED CHROME
- Z03
MATTE BLACK

PLATINUM

- Z05
BRUSHED ROSE GOLD
- Z07
BRUSHED GOLD
- Z09
GUNMETAL
- Z11
BRUSHED NICKEL



Arc Non-Filtered Mixer Tap can be installed over sink only

Accessories



93701

Zip 0.2 micron residential filter

Suits any current model Zip HydroTap



93703

Zip 3 micron residential filter

Suits any current model Zip HydroTap (for water with high sediment levels)

Cube Mixer Tap

Featured product
Zip Cube Non-Filtered Mixer Tap installed over sink with matching HydroTap Cube Plus in Matte Black finish

Complement your Design Range HydroTap with a matching mixer tap for non-filtered hot and water to suit any kitchen.



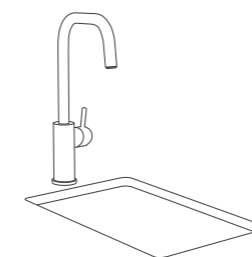
Available finishes:

POPULAR

- Z00
CHROME
- Z01
BRUSHED CHROME
- Z03
MATTE BLACK

PLATINUM

- Z05
BRUSHED ROSE GOLD
- Z07
BRUSHED GOLD
- Z09
GUNMETAL
- Z11
BRUSHED NICKEL



Cube Non-Filtered Mixer Tap can be installed over sink only



93150

Zip 0.2 Global Plus inline filter

Filters up to 96,000 litres and will fit any kitchen mixer tap



91295

Zip sparkling CO₂ replacement cartridge twin pack

Suits any current residential sparkling model Zip HydroTap

HydroTap Product Selector

1. Choose your water option...

Classic

FILTERED: BOILING CHILLED SPARKLING	FILTERED: BOILING CHILLED	FILTERED: CHILLED SPARKLING	FILTERED: CHILLED	FILTERED: BOILING AMBIENT	FILTERED: BOILING

Design

FILTERED: BOILING CHILLED SPARKLING	FILTERED: BOILING CHILLED	FILTERED: CHILLED SPARKLING	FILTERED: CHILLED	FILTERED: BOILING AMBIENT	FILTERED: BOILING

2. Choose your tap style...



Classic Plus



Arc Plus

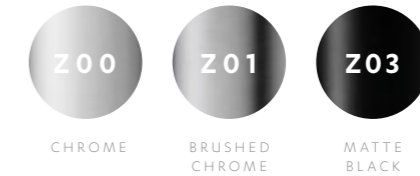
Cube Plus

Elite Plus

3. Choose your colour & finish...

Popular finish options

Available for all classic and design range HydroTaps. Whether you opt for a classic Chrome or stylish Matte Black, our range of timeless popular finishes has been designed to sit seamlessly in a wide range of kitchen designs, from contemporary to traditional.



CHROME

BRUSHED CHROME

MATTE BLACK



CHROME

BRUSHED CHROME

MATTE BLACK

Celsius

FILTERED: CHILLED SPARKLING	UNFILTERED: HOT & COLD	FILTERED: CHILLED	UNFILTERED: HOT & COLD	FILTERED: BOILING	UNFILTERED: HOT & COLD



Celsius Arc

Celsius All-In-One

FILTERED: BOILING CHILLED SPARKLING	UNFILTERED: HOT & COLD	FILTERED: BOILING CHILLED	UNFILTERED: HOT & COLD



Celsius All-In-One

Platinum finish options

Available for all HydroTaps and Celsius taps only. Taking the HydroTap from a kitchen appliance you can't live without to a striking design accessory, our platinum finish options include four stylish metallic finishes, each stunning in its own right.



BRUSHED ROSE GOLD

BRUSHED GOLD

GUNMETAL

BRUSHED NICKEL



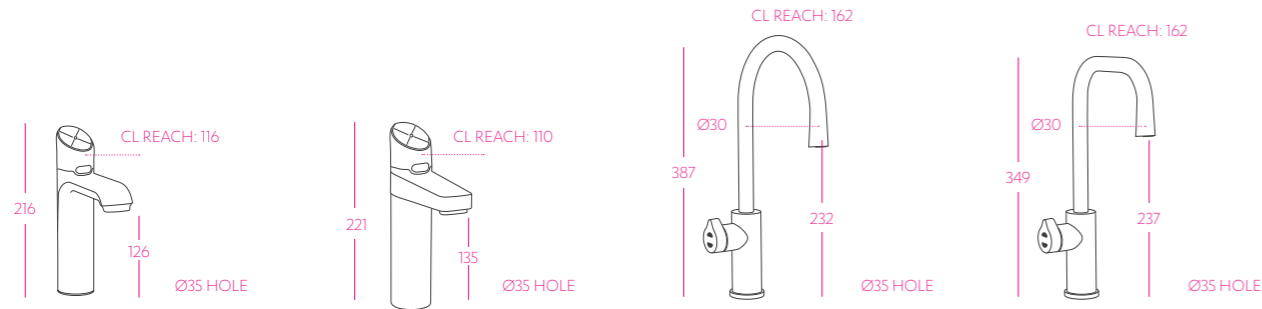
BRUSHED ROSE GOLD

BRUSHED GOLD

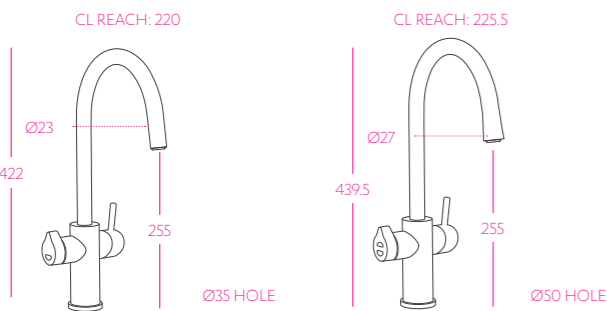
GUNMETAL

BRUSHED NICKEL

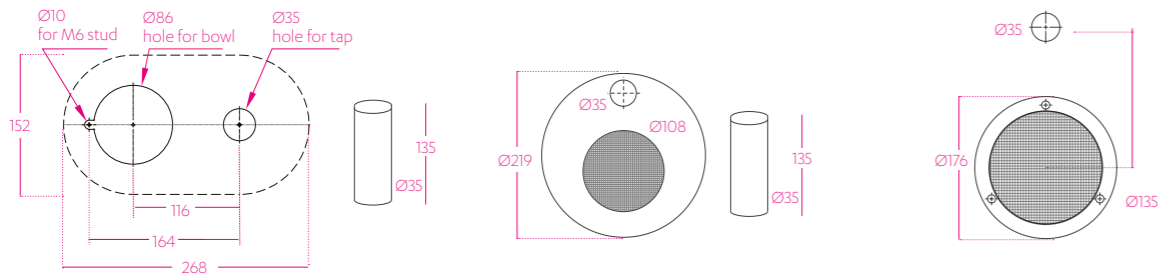
Technical information



Classic Plus Elite Plus Arc Plus Cube Plus



Celsius Arc Celsius All-In-One



95258Z00

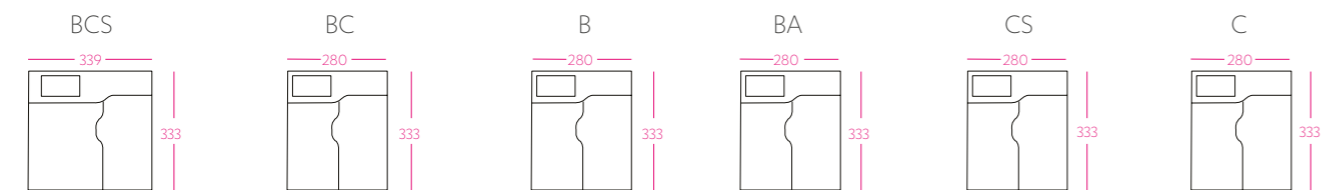
Zip font raised Chrome for Classic Plus and Elite Plus

90915Z00

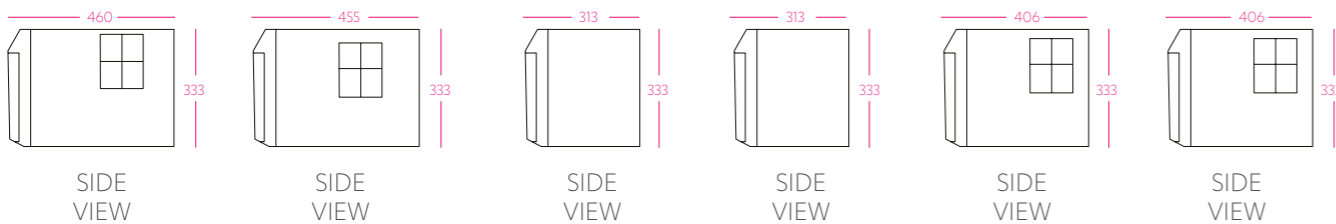
Zip font kit Chrome for Miniboil

93441Z00

Stand alone font Chrome for HydroTap Arc Plus and Cube Plus



FRONT VIEW FRONT VIEW FRONT VIEW FRONT VIEW FRONT VIEW FRONT VIEW



SIDE VIEW SIDE VIEW SIDE VIEW SIDE VIEW SIDE VIEW SIDE VIEW

Disclaimer: for full installation details please refer to the installation instructions which can be found at zipwater.com

Zip HydroTap Classic Range

MODEL	ORDER CODE	BOILING	CHILLED	SPARKLING	AMBIENT	SIZE W x D x H (mm)
ZIP HYDROTAP CLASSIC PLUS						
BCS	H55783Z00AU	•	•	•		339 x 460 x 333
BC	H55784Z00AU	•	•			280 x 455 x 333
BA	H55785Z00AU	•			•	280 x 313 x 333
B	H55786Z00AU	•				280 x 313 x 333
CS	H55787Z00AU		•	•		280 x 406 x 333
C	H55788Z00AU		•			280 x 406 x 333

Note: Optional font kit in Chrome finish for Zip HydroTap Classic, order code 90915Z00.

MODEL	ORDER CODE	BOILING	AMBIENT	SIZE W x D x H (mm)
ZIP MINIBOIL				
Miniboil BA with Classic Tap	MB1716Z00	•	•	212 x 269 x 338
Miniboil B with Classic Tap	MB1717Z00	•		212 x 269 x 338

Note: Optional font kit in Chrome finish for Zip HydroTap Miniboil, order code 90915Z00.

Zip Chilled Taps

MODEL	ORDER CODE	CHILLED	SPARKLING	AMBIENT	SIZE W x D x H (mm)
ZIP CHILLTAP					
Zip ChillTap Sparkling CS	CT1003-1	•	•		353 x 248 x 368
Zip ChillTap Extra CA	CT1002-1	•		•	280 x 475 x 335
Zip ChillTap C	CT1001-1	•			280 x 475 x 335

Note: Optional font kit in Chrome finish for Zip ChillTap sparkling, order code 91418Z00. For Zip ChillTap Extra in Chrome finish, order code 92328Z00. Zip ChillTap in Chrome finish, order code 92329Z00.

Zip Filtered and Non-Filtered Mixer Taps

MODEL	ORDER CODE	AMBIENT	HOT	COLD
ZIP FILTER TAP				
3 Way Filtered Mixer Tap	94574	•	•	•
Zip Filter Tap	FT1001	•		

Note: Optional font kit in Chrome finish for Zip Filter Tap, order code 92329Z00.

MODEL	ORDER CODE	HOT	COLD
ZIP NON-FILTERED MIXER TAP			
Arc Mixer Tap (Chrome)	93867	•	•
Cube Mixer Tap (Chrome)	93868	•	•

Size dimensions refer to the underbench system. Refer to zipwater.com for more details.



AUSTRALIA 1800 947 827

zipwater.com

2024 ZIP INDUSTRIES ALL RIGHTS RESERVED

Z2258
APR 2024