

Clearly the Best

# **FLEXIBLE PVC SOLUTION**



# M.T.I. "See-Thru" STRIP DOORS

MT.I. Flexible See-Thru Strip Doors are an economical answer to various barrier problems including shops, factories, warehouses, food processing plants, meat works, cool rooms and freezer rooms, etc.

They are manufactured overlap-style to give more positive

protection from dust and drafts and to provide the solution to temperature control problems.

Being made from Clear or Coloured Flexible PVC, they offer an economical and hygienic solution to any door opening



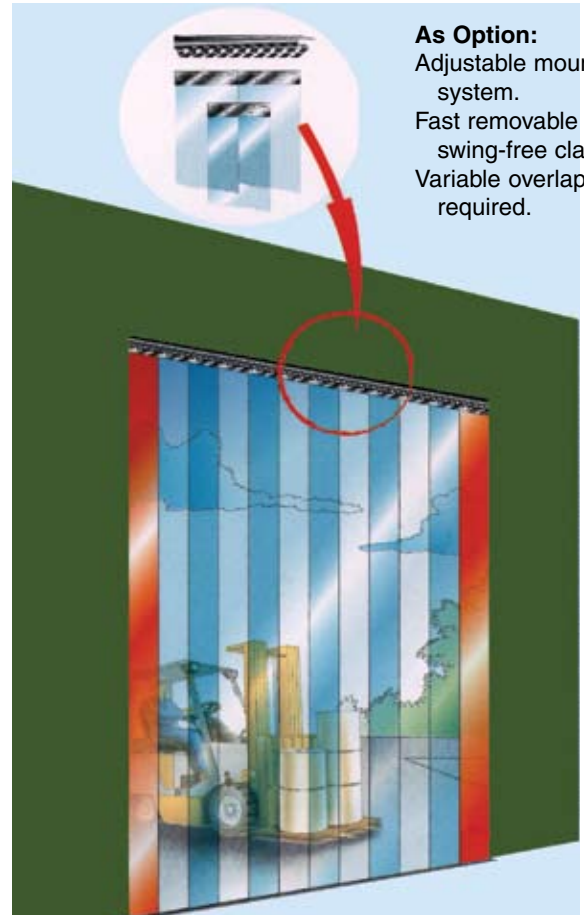
PVC Strip Door installed in Meat Processing Plant.



Shop Fronts and Residential PVC Strips  
1.5mm x 75mm clear or coloured.

## Warranty:

M.T.I. Flexible "See-Thru" Strip Doors are warranted to be free of any defects in workmanship and materials under normal use in service for a period of twelve (12) months.



**As Option:**  
Adjustable mounting system.  
Fast removable swing-free clamps.  
Variable overlap as required.

## Noise Reduction

Testing over many years has shown that a noise reduction of up to 17 decibels have been achieved using PVC material in certain applications.

## Temperature Range

Normal Grade PVC 0°C to +50°C  
Freezer Grade PVC -45°C to +5°C.

## STRIP DOOR SELECTION GUIDE

Type	Application	Thickness
Extra Light Duty	Shop Fronts & Residential Use	1.5mm x 75mm clear or coloured
Light Duty	Pedestrian and Light Traffic Areas	2mm clear
Medium Duty	Commercial and Industrial	3mm, 4mm and 5mm clear
Heavy Duty	Heavy Industrial	7mm clear

Note: Freezer type strip doors available in 2mm, 3mm, 5mm and 7mm thickness only..



## MELBOURNE

55 Northern Road,  
West Heidelberg, Vic. 3081  
Telephone: (03) 9450 1900  
Fax: (03) 9458 3217

## SYDNEY

5 Hallstrom Place,  
Wetherill Park, N.S.W. 2164  
Telephone: (02) 9756 5577  
Fax: (02) 9756 5666

Distributed by:



**M.T.I. QUALOS PTY. LTD.**

ABN 12 414 244 204

55 Northern Road, WEST HEIDELBERG, VIC. 3081. AUSTRALIA.  
P.O. Box 5055, WEST HEIDELBERG M.D.C. VIC. 3081. AUSTRALIA.  
Telephone: +61 (03) 9450 1900 Facsimile: +61 (03) 9458 3217  
Email: sales@mtiqualos.com.au Website: www.mtiqualos.com.au



ARCHITECTURAL SPECIFICATIONS OF M.T.I. FLEXIBLE "SEE-THRU" DOORS

## STRIP DOORS

Supply and install one (1) only Flexible "See-Thru" Strip Door as manufactured by M.T.I. Qualos Pty. Ltd., 55 Northern Road, West Heidelberg, Victoria, 3081., and 5 Hallstrom Place, Wetherill Park, New South Wales, 2164., to suit existing opening, or opening provided by builder                      mm High x                      mm Wide.

**(1) LIGHT DUTY**

1MM THICK X 75MM WIDE CLEAR OR COLOURED PVC STRIPS,  
2MM THICK X 100MM OR 200MM WIDE CLEAR PVC STRIPS.

\*\*\*\* OR \*\*\*\*

**(2) MEDIUM DUTY**

3MM THICK X 150MM OR 300MM WIDE CLEAR PVC STRIPS,  
4MM THICK X 150MM, 200MM OR 300MM WIDE CLEAR PVC STRIPS.

\*\*\*\* OR \*\*\*\*

**(3) HEAVY DUTY**

5MM THICK X 150MM, 200MM OR 300MM WIDE CLEAR PVC STRIPS.

**NOTE:** Freezer type strip doors available in 2mm, 3mm & 5mm thickness.

Strips have an overlap of approximately 1/3 over two strips eg. 150mm wide strip 25mm overlap either side and bevelled edges on all strips. Head section aluminium flat or angle (Light Duty only), or mild steel angle for Medium and Heavy Duty Doors.

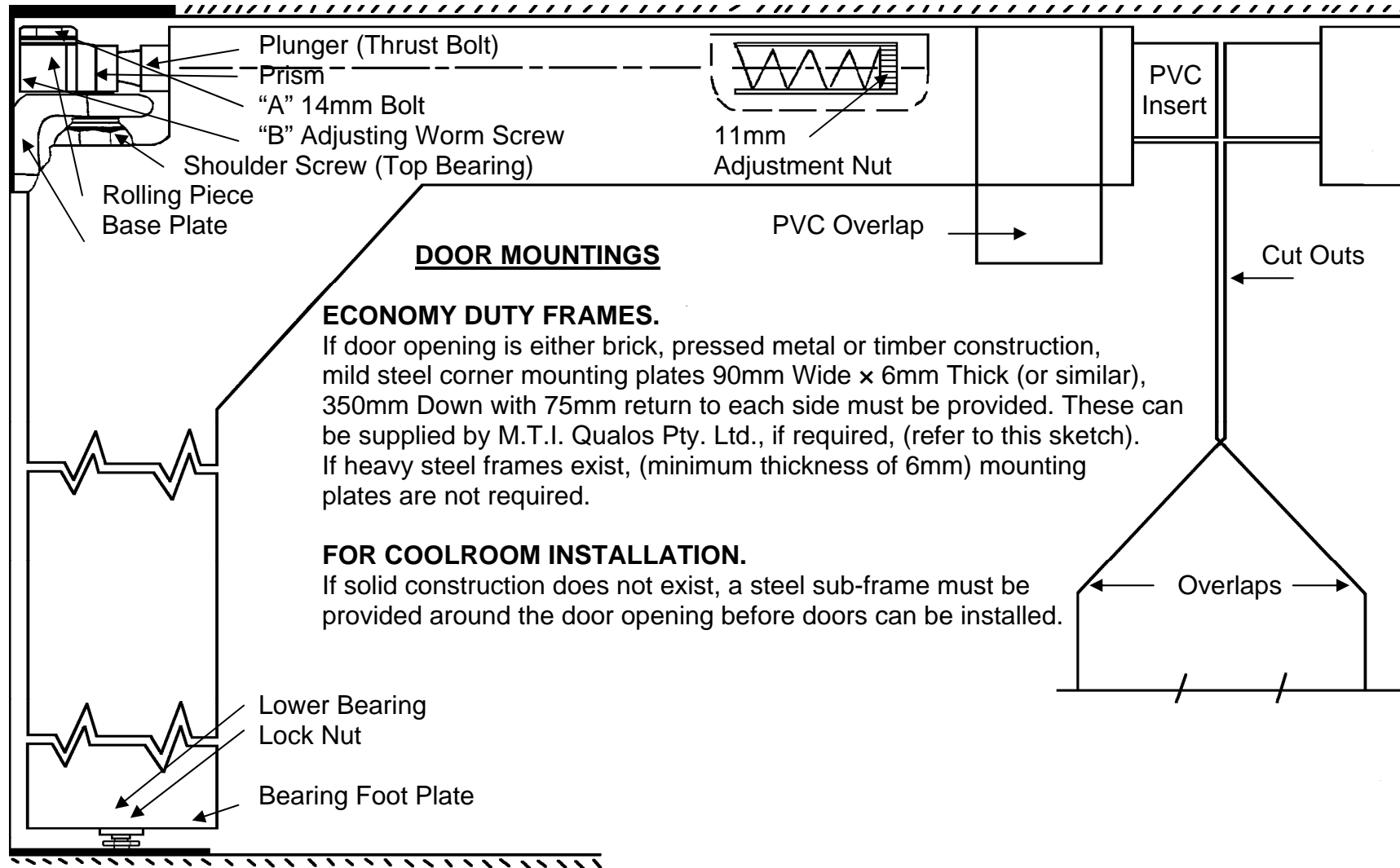
### FINISH

- (A)** Standard zinc chromate base, hammertone grey enamel
- (B)** Coolrooms and Freezers – Hot dipped galvanised frames

**NOTE: LOWER HINGE.**

Align doors square to opening. Adjust thrust bearing so that it carries the weight of the door, then lock into place with lock nut.

Fixing holes for mounting plates are to be pre-drilled to suit opening. Doors are then to be installed following step (1) on installation instructions sheet.



**ECONOMY DUTY FRAMES.**

If door opening is either brick, pressed metal or timber construction, mild steel corner mounting plates 90mm Wide x 6mm Thick (or similar), 350mm Down with 75mm return to each side must be provided. These can be supplied by M.T.I. Qualos Pty. Ltd., if required, (refer to this sketch). If heavy steel frames exist, (minimum thickness of 6mm) mounting plates are not required.

**FOR COOLROOM INSTALLATION.**

If solid construction does not exist, a steel sub-frame must be provided around the door opening before doors can be installed.





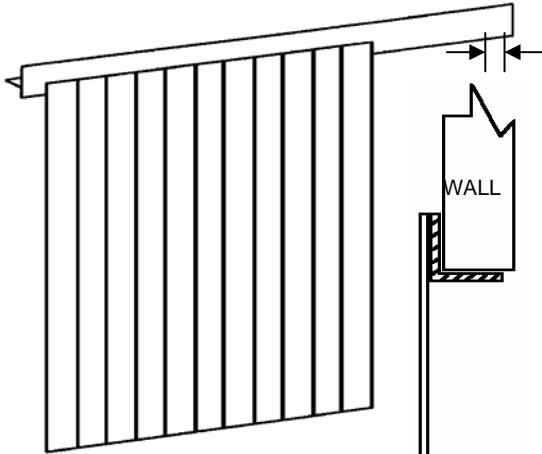
# M.T.I. QUALOS PTY. LTD.

ABN 12 414 244 204

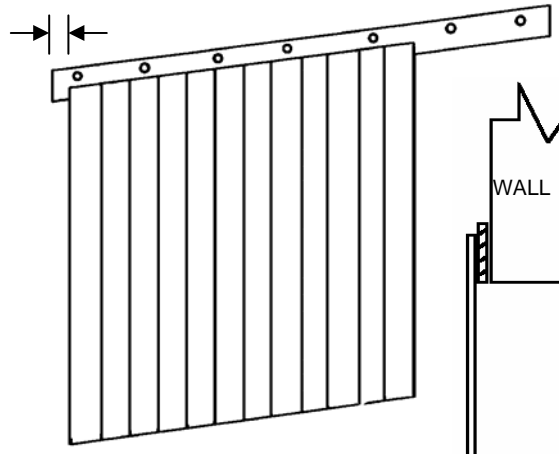
55 Northern Road, WEST HEIDELBERG, VIC. 3081. AUSTRALIA.  
P.O. Box 5055, WEST HEIDELBERG M.D.C. VIC. 3081. AUSTRALIA.  
Telephone: +61 (03) 9450 1900 Facsimile: +61 (03) 9458 3217  
Email: sales@mtiqualos.com.au Website: www.mtiqualos.com.au



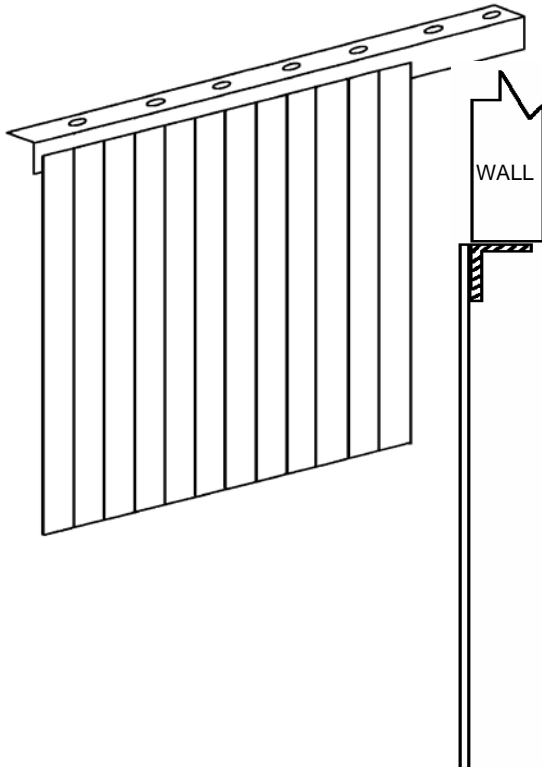
30MM OVERLAP AT BOTH ENDS



FACE MOUNTED ALUMINIUM  
OR STEEL ANGLE  
75MM – 150MM WIDE STRIPS  
1MM, 2MM, 3MM, 4MM &  
5MM THICK PVC STRIPS



REMOVABLE ALUMINIUM  
OR FLAT STEEL  
75MM – 150MM WIDE STRIPS  
1MM, 2MM, 3MM, 4MM &  
5MM THICK PVC STRIPS



UNDER LINTEL ALUMINIUM  
OR STEEL ANGLE  
75MM – 150MM WIDE STRIPS  
1MM, 2MM, 3MM, 4MM &  
5MM THICK PVC STRIPS



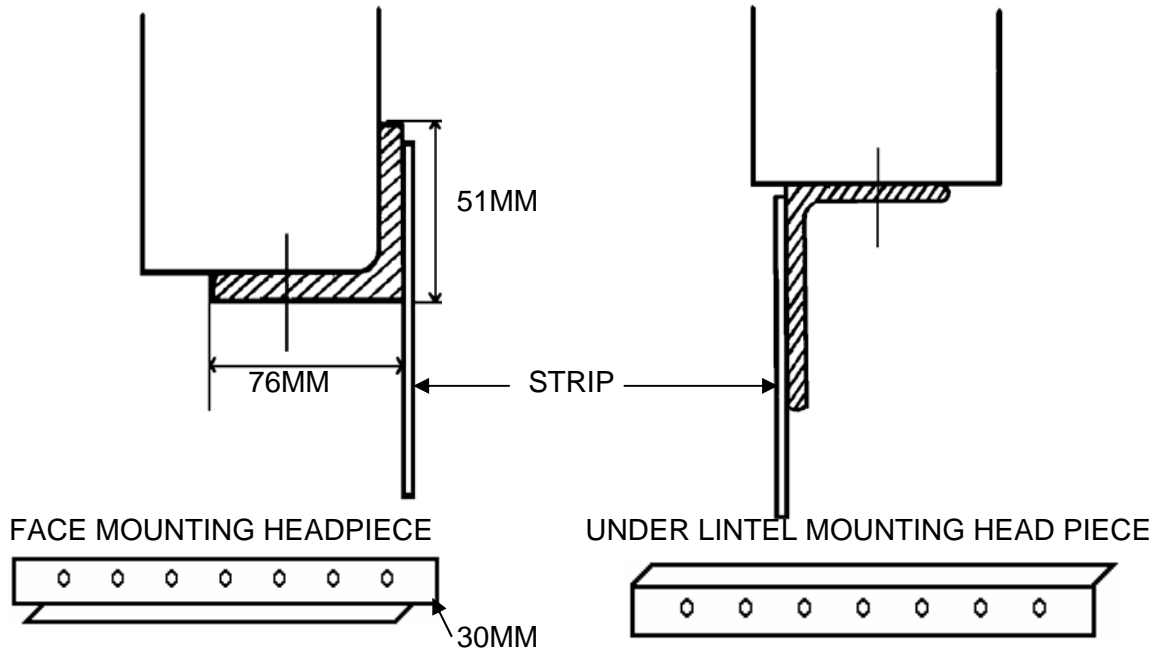
# M.T.I. QUALOS PTY. LTD.

ABN 12 414 244 204

55 Northern Road, WEST HEIDELBERG, VIC. 3081. AUSTRALIA.  
P.O. Box 5055, WEST HEIDELBERG M.D.C. VIC. 3081. AUSTRALIA.  
Telephone: +61 (03) 9450 1900 Facsimile: +61 (03) 9458 3217  
Email: sales@mtiqualos.com.au Website: www.mtiqualos.com.au



FACE MOUNTED HEAD PIECE (EXTENDS 30MM EACH END)  
FACE MOUNTED AND LINTEL MOUNTED BRACKETS ARE 76MM X 51MM X 5MM  
MILD STEEL ANGLE SCREWED OR BOLTED TO UNDERSIDE OF HEAD.



AFTER THE INSTALLATION OF HEAD PIECE TO LINTEL, ATTACH STRIPS INDICATED IN SKETCH "A".

### **PLEASE NOTE:**

THE WIDTH OF THE OPENING MAY NECESSITATE A NARROW STRIP TO FILL IN.  
THE BOLT LENGTHS WILL BE IN ACCORDANCE AT EITHER ONE END OR THE OTHER.  
FIT STRIP (1) FIRST, THEN OVERLAP WITH STRIP (2), WHEN ALL STRIPS ARE MOUNTED SECURE WITH THE SUPPLIED WASHERS AND NUTS.

