

Brio®



Brio® where ideas unfold

Brio® 286 Dual Point Lock and Accessories

For exterior, folding applications

Brio® where ideas unfold

Watch your adventurous architectural ideas unfold into exciting reality with the Brio range of sliding and folding door hardware.

Brio is passionate about shaping the spaces in which people live, work and play. With subsidiaries in the UK and USA – Brio is recognised by architects worldwide as a leading design and manufacturing company.

Brio's R&D department brings a strong design element to the business, developing and testing ground breaking concepts that continue to be at the forefront of the industry.

So it's no surprise our name Brio translates to Energy, Spirit and Vitality – the core values that drive us to always discover new solutions for our customers.

We are committed to the continuous improvement of quality. That is why Brio, located in Sydney, is certified to Quality Management System AS/NZS ISO 9001:2008.

Brio, part of the Allegion family of brands





Brio's Locking Solution for folding doors

Large, folding doors which open your inside world to the outdoors are a luxury but security is a necessity which is why Brio has developed the 286 Dual Point Lock. Specifically designed for timber and aluminium folding panels to offer a single action handle as a stylish alternative to two flush bolts.

Brio's patented design fully integrates with Brio's Weatherfold 4s and Weatherfold 5c with no fuss fixing hinge points but can also be used with single hinged panels (i.e. French doors). 180° operation of

the low profile lever, delivers ultimate strength security of a 22mm throw into the head and sill simultaneously for panels up to 3.5m high.

The integrated face plate for locking options produces an elegant and minimalist aesthetic while the Euro cylinder provides high security and a convenient low profile key, specifically developed for use with folding panels.

The clean, elegant lines of the integrated escutcheon are reflected in Brio's 288 matching lever furniture which functions with an 85mm centre lock. This matching furniture is also available with a built in magnetic catch and low profile internal handle making it ideal for folding systems.



Performance

With a handle height of 900-1100mm and capacity to lock panels 3.5m high and 35-70mm thick (aluminium) the Brio 286 Dual Point Lock is the true solution to securing folding panels.

Capable of inward opening applications as well as standard outward opening orientation. Both the 286 and 288 products have been cycle tested in excess of 100,000 operations which gives Brio the confidence to offer their usual 10 year warranty.

| | Timber | Aluminium |
|-----------------|----------------------------|--------------|
| Panel Thickness | 38-70mm | 35-70mm |
| Stile Width | 70mm | 60mm |
| Backset | 35 or 45mm | Unrestricted |
| Throw Length | 25mm | 25mm |
| Euro Cylinder | 3 pin 20/10 5 pin 30/10 | 5 pin 30/10 |



Materials

Brio's 286 dual point lock and matching 288 lever furniture are produced with quality in mind. Throw tips are made from stainless steel and handle furniture is available in cast alloy (286 and 288) or full stainless steel (286 only). Brio recommends the use of stainless steel hardware for applications in or near coastal areas.

Finishes

The discreet 286 and 288 hardware is supplied in different finishes for matching flexibility. The cast alloy versions are available in satin nickel and black paint while the stainless steel versions offer a satin stainless finish.

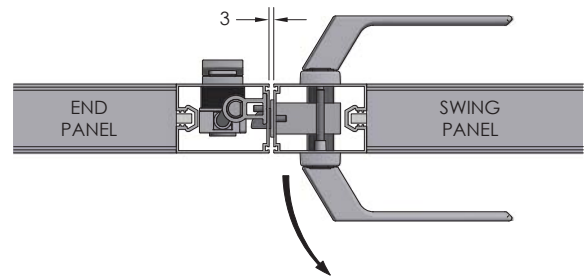
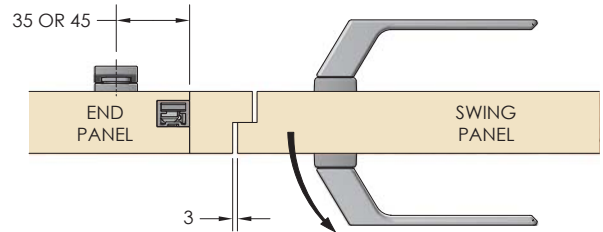
Security

Operation of the 286 dual point lock is simple and secure with a 22mm throw for either timber or aluminium panels. Aluminium panels are secured by a Ø12mm stainless steel "D" tip or the versatile, plastic capped 512 flush bolt equivalent. Timber panels are locked off with a cleat made from 15x5mm stainless steel bar which achieved ultimate tensile strength testing of 2000pa before rupture.

The intelligent design is discreetly hidden inside the aluminium stile or in the edge of a timber panel with minimal machining and quick fixing points thanks to the patented hinge blocks. A variety of keepers allow for neat dressing and accurate alignment of the throw and panel which improves the performance of perimeter weather seals.

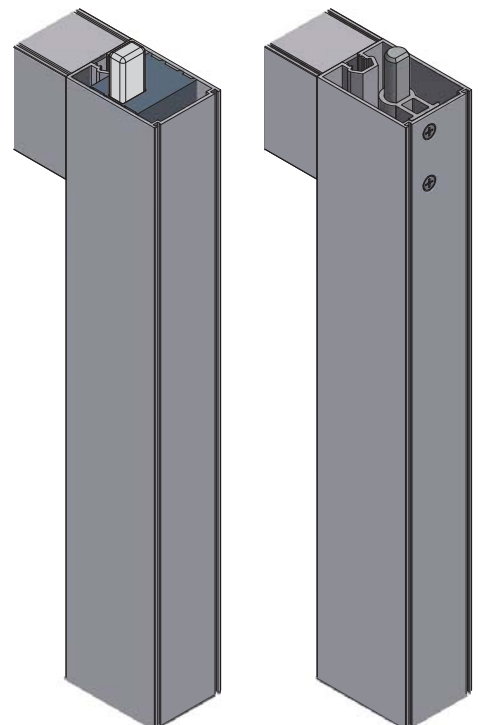
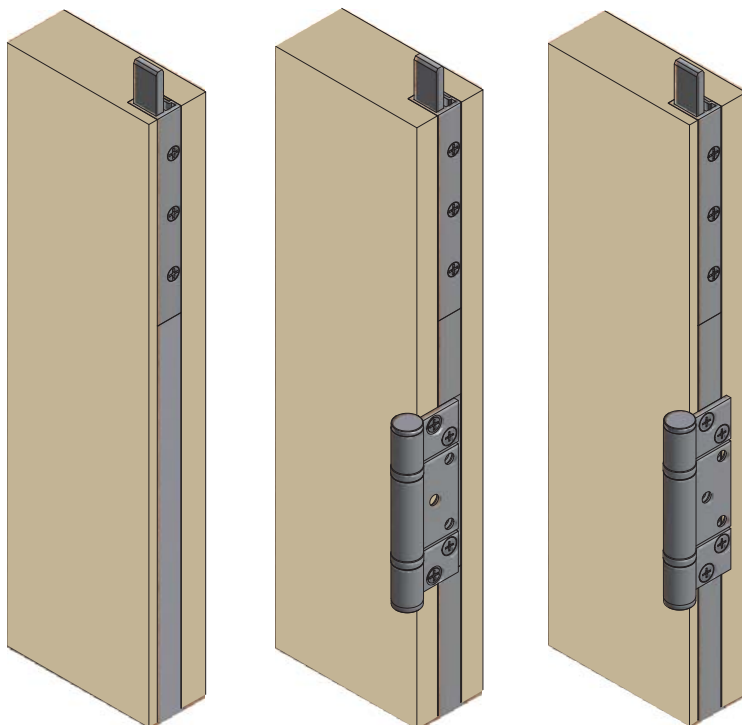
Meeting Rebate Panels

Brio's 286 Dual Point Lock and matching 288 lever furniture easily work with folding, end panels and access swing doors on aluminium panels or with the addition of suitable plant-ons for timber panels:



Dual Point Lock for Timber Panels

Dual Point Lock for Aluminium Panels



End Panel (X)

Intermediate Panel 44.5-70mm (H)

Intermediate Panel 38-44mm (N)

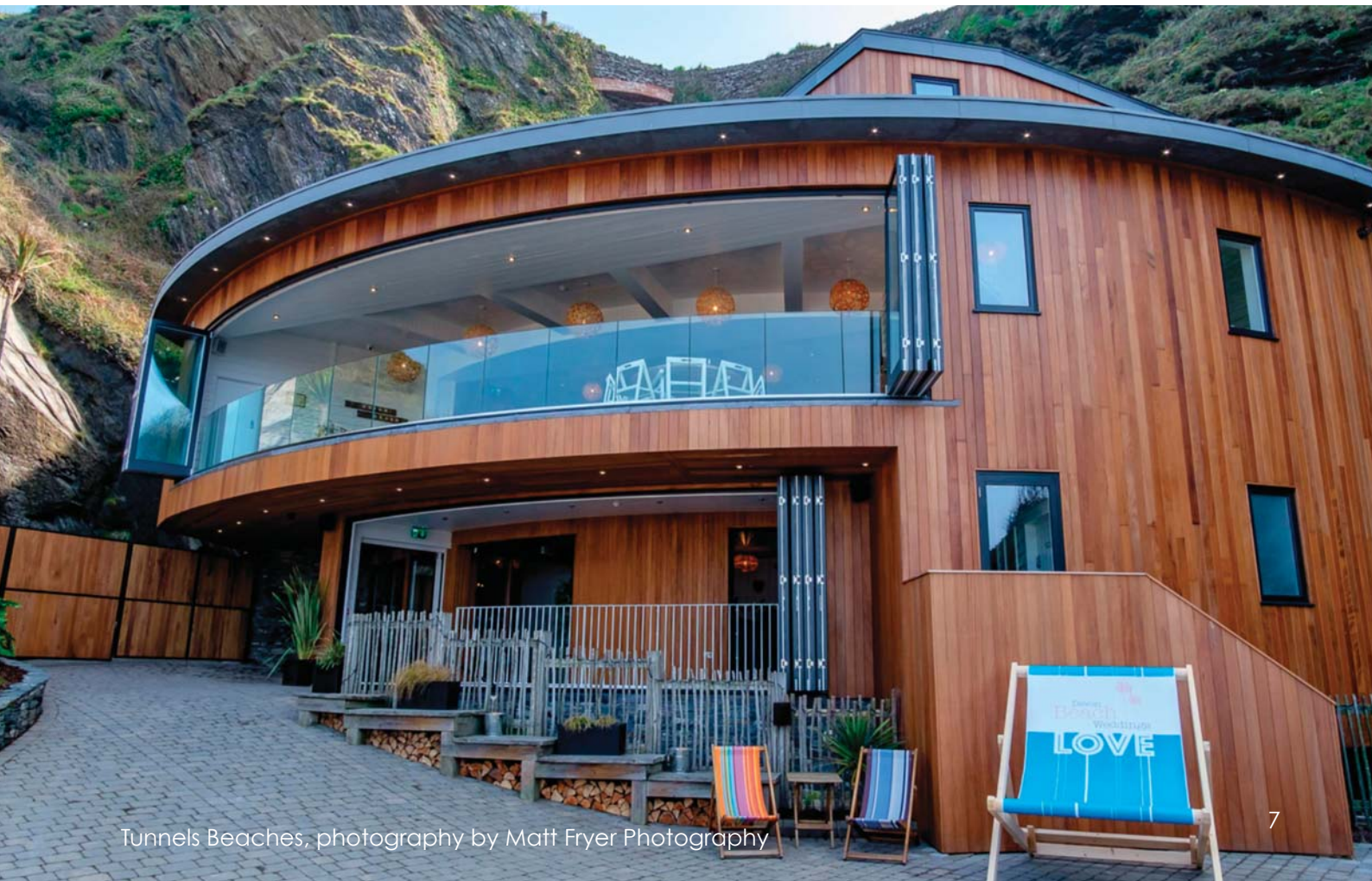
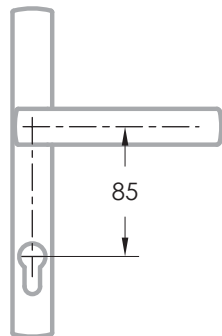
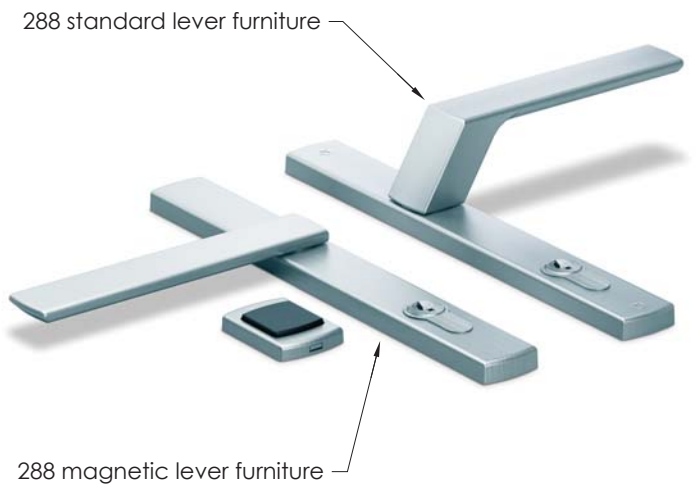
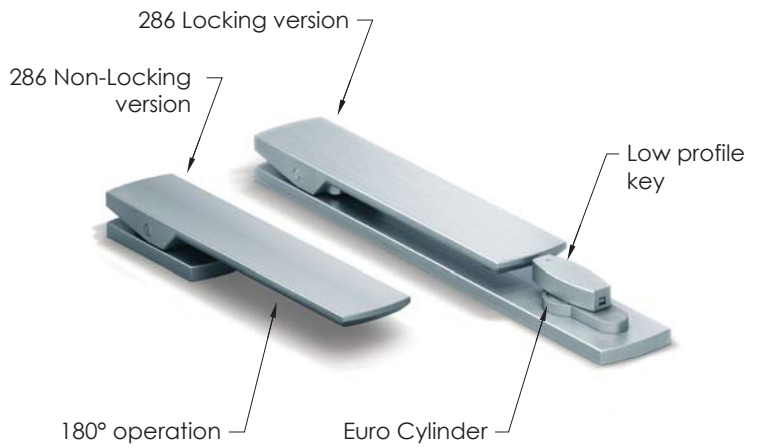
Plastic Tip (P)

Ø12mm SS D Tip (D)

Door Furniture

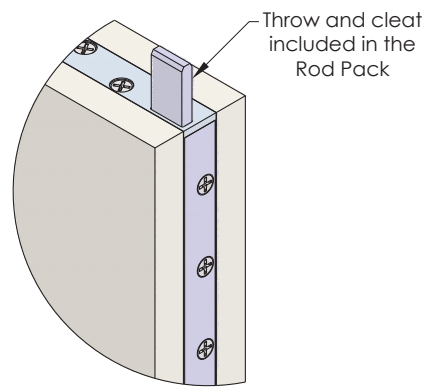
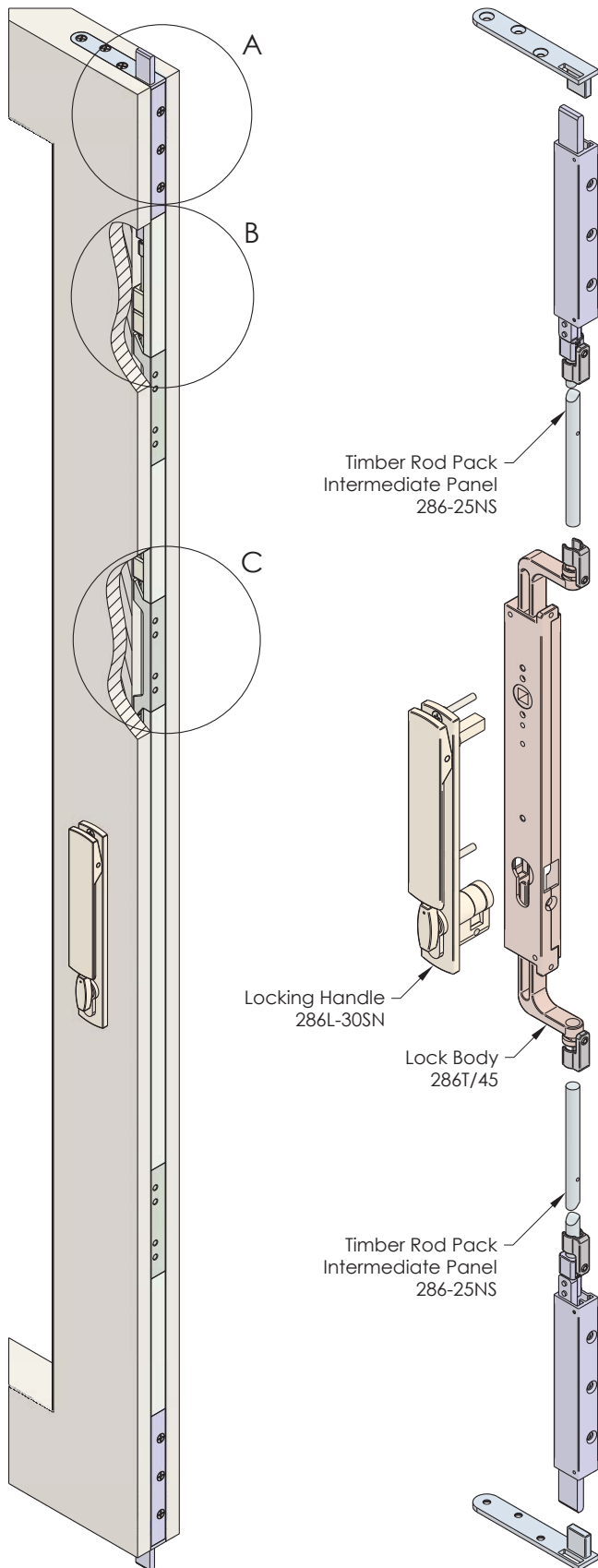
Brio's family of door furniture provides numerous options for selecting the right handle for your application. The 286 dual point lock is available in cast stainless or cast alloy as either non-locking or locking. The discreet back plate hides fixing screws when the handle is down and the panel is in its closed and locked position. The locking version is supplied with a high quality Euro Cylinder and specifically designed low profile key.

The 288 matching lever furniture is available in cast alloy and operates with an 85mm centre lock. It is available with two standard levers or a combination of one standard and one low profile lever with built in magnetic catch. This combination makes Brio's 288 ideal for folding doors as the low handle profile protects the surface of folding panels while the magnetic catch securely holds the access door open.

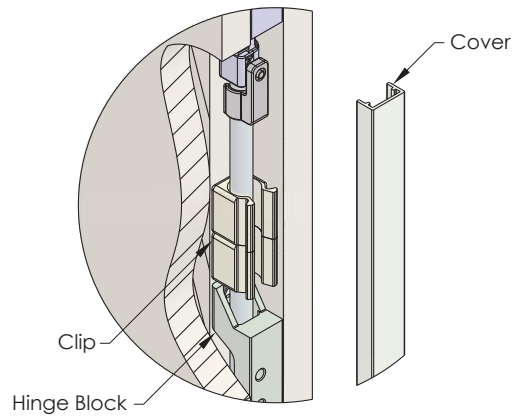


Dual Point Lock for Timber Panels

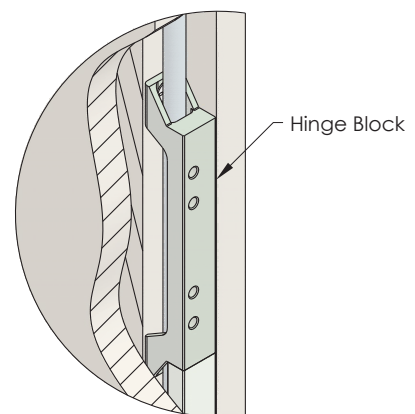
Hardware Layout



A. 22mm throw of 5x15mm SS bar is checked into the door neat and secure



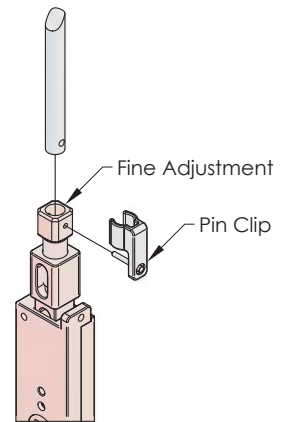
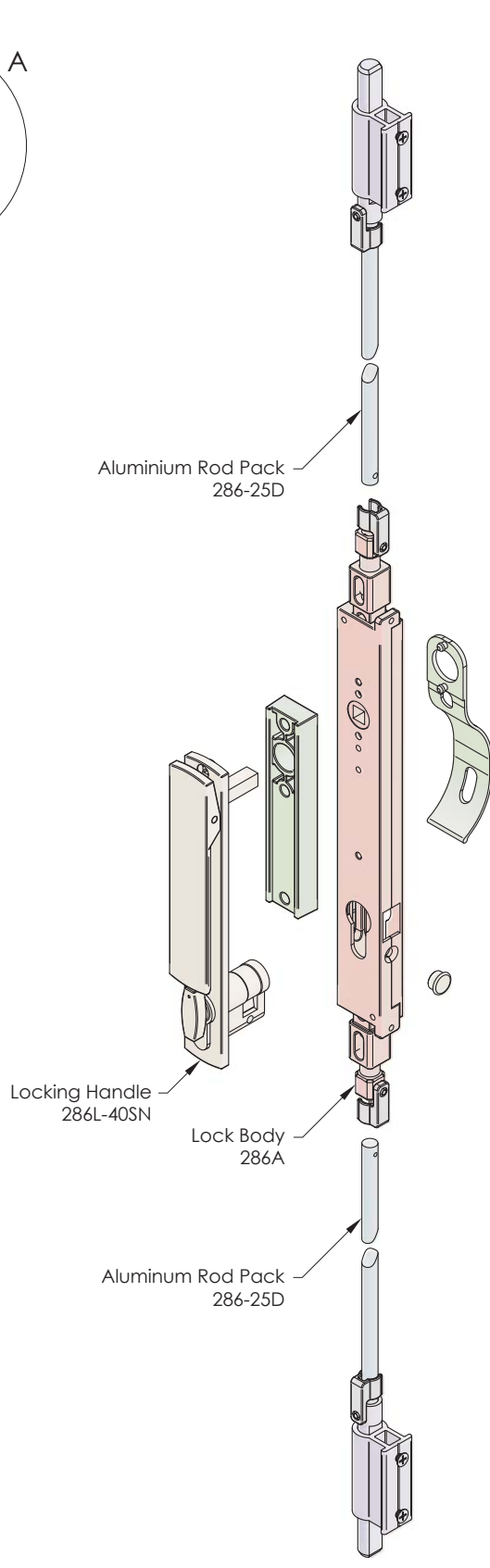
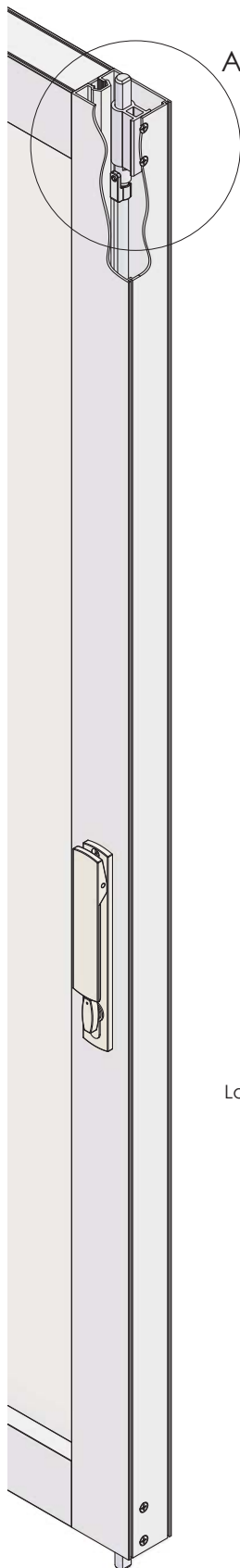
B. Aluminium cover strip dresses the edge of the door with the aid of clips in between hinge blocks



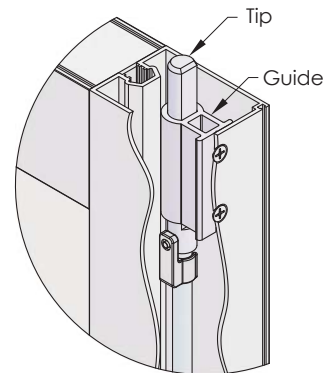
C. Hinge Blocks allow the rods to operate within the edge of the door without being impeded by hinge fixings

Dual Point Lock for Aluminium Panels

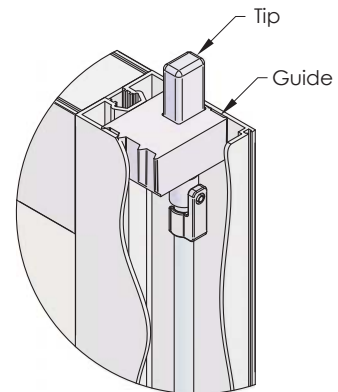
Hardware Layout



Rods are assembled to tips and lock with push fit pin clips. The lock body has threaded adapters for fine adjustment



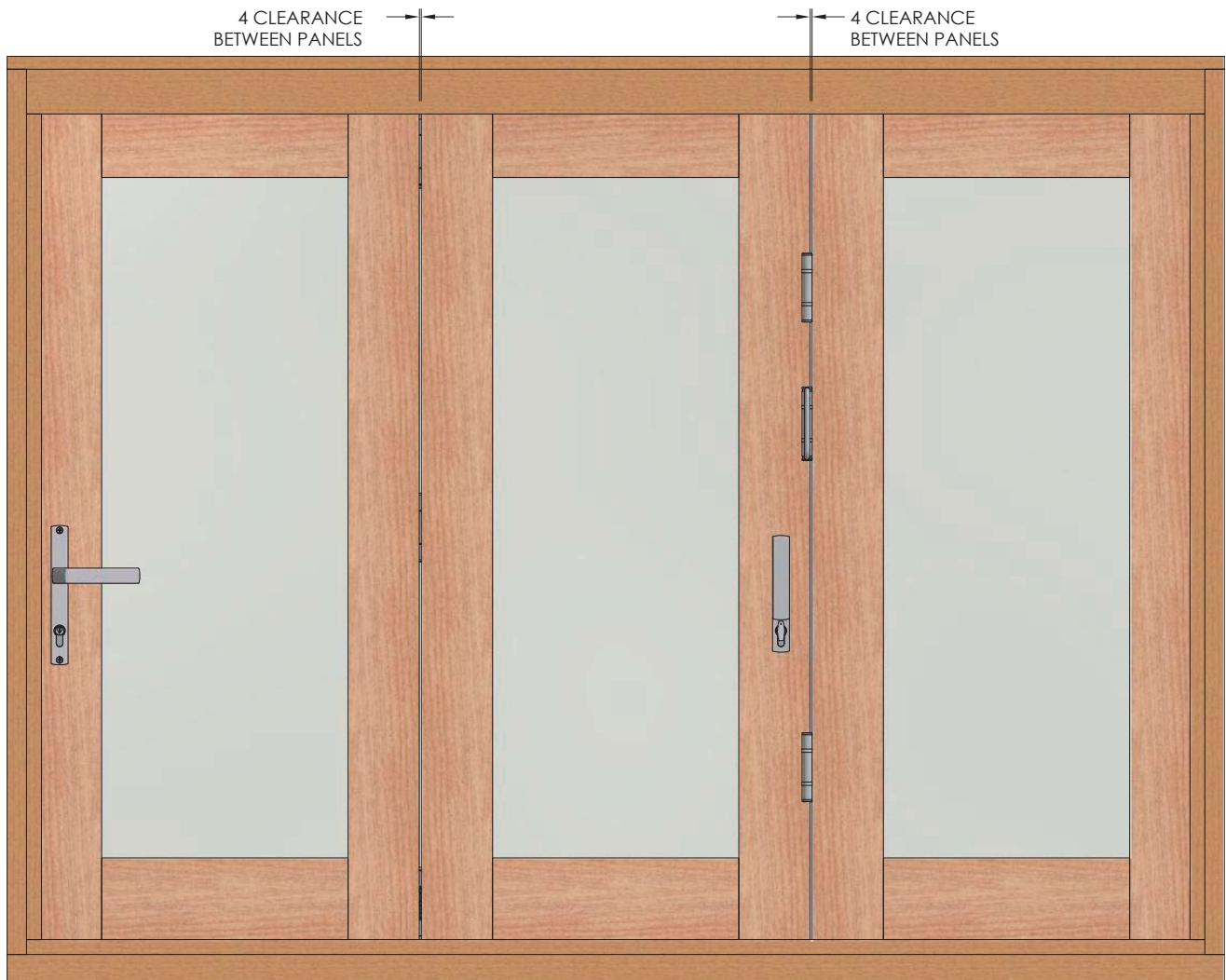
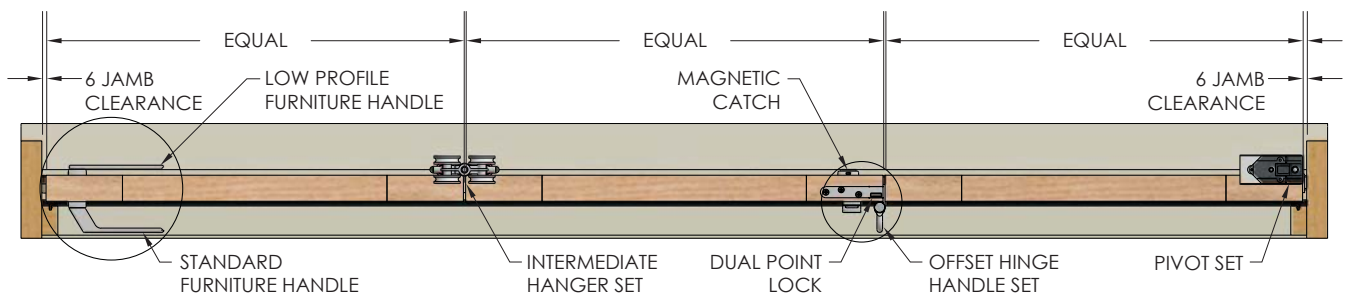
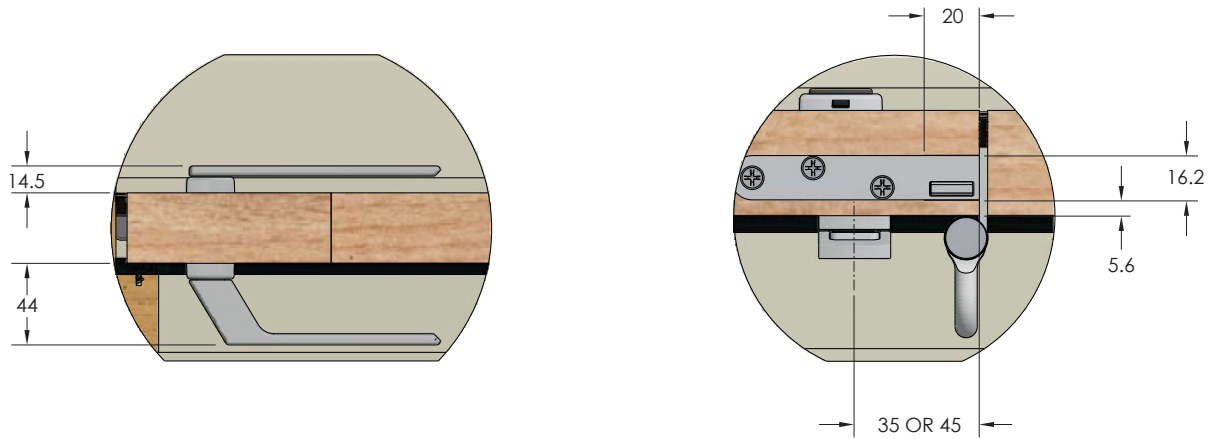
A. Ø12mm stainless steel "D" tip and guide is fixed to the edge of the door, keeper dress plate also supplied



Alternative to Ø12mm stainless steel "D" tip is plastic tip and guide - 512 flush bolt equivalent

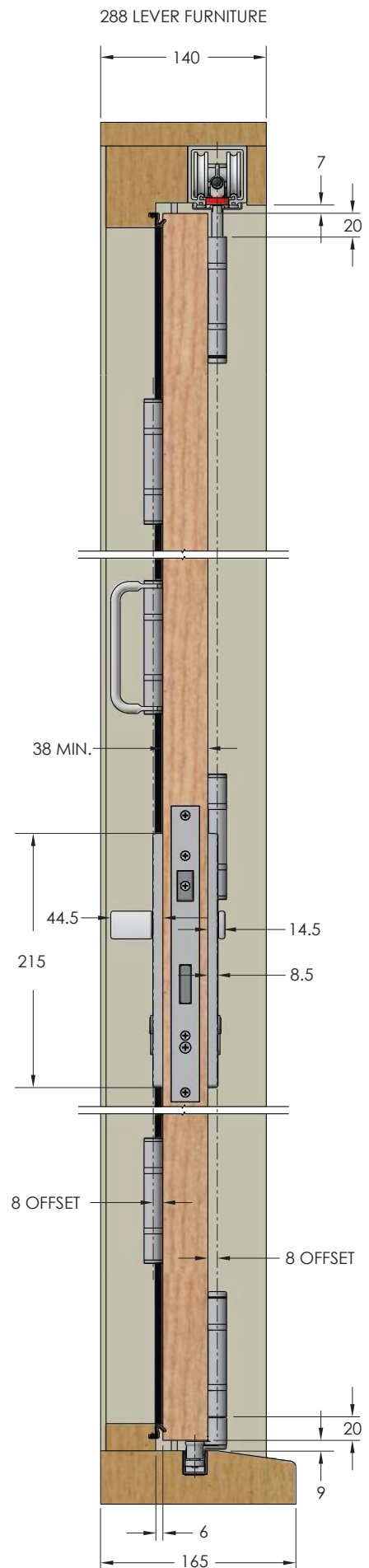
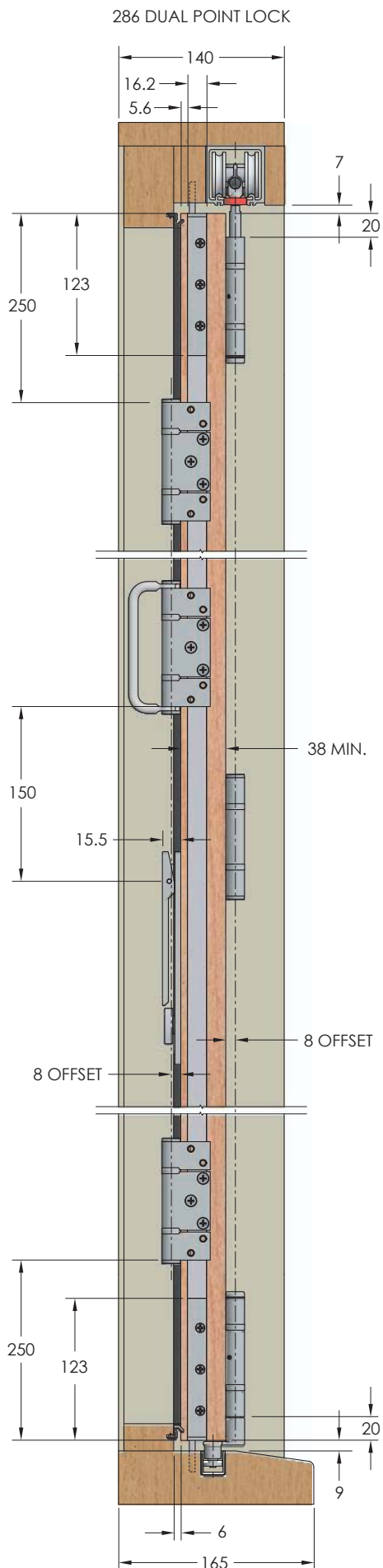
286 and 288 with Weatherfold 4s 100

Top and Front Views - Non Mortise Hinges



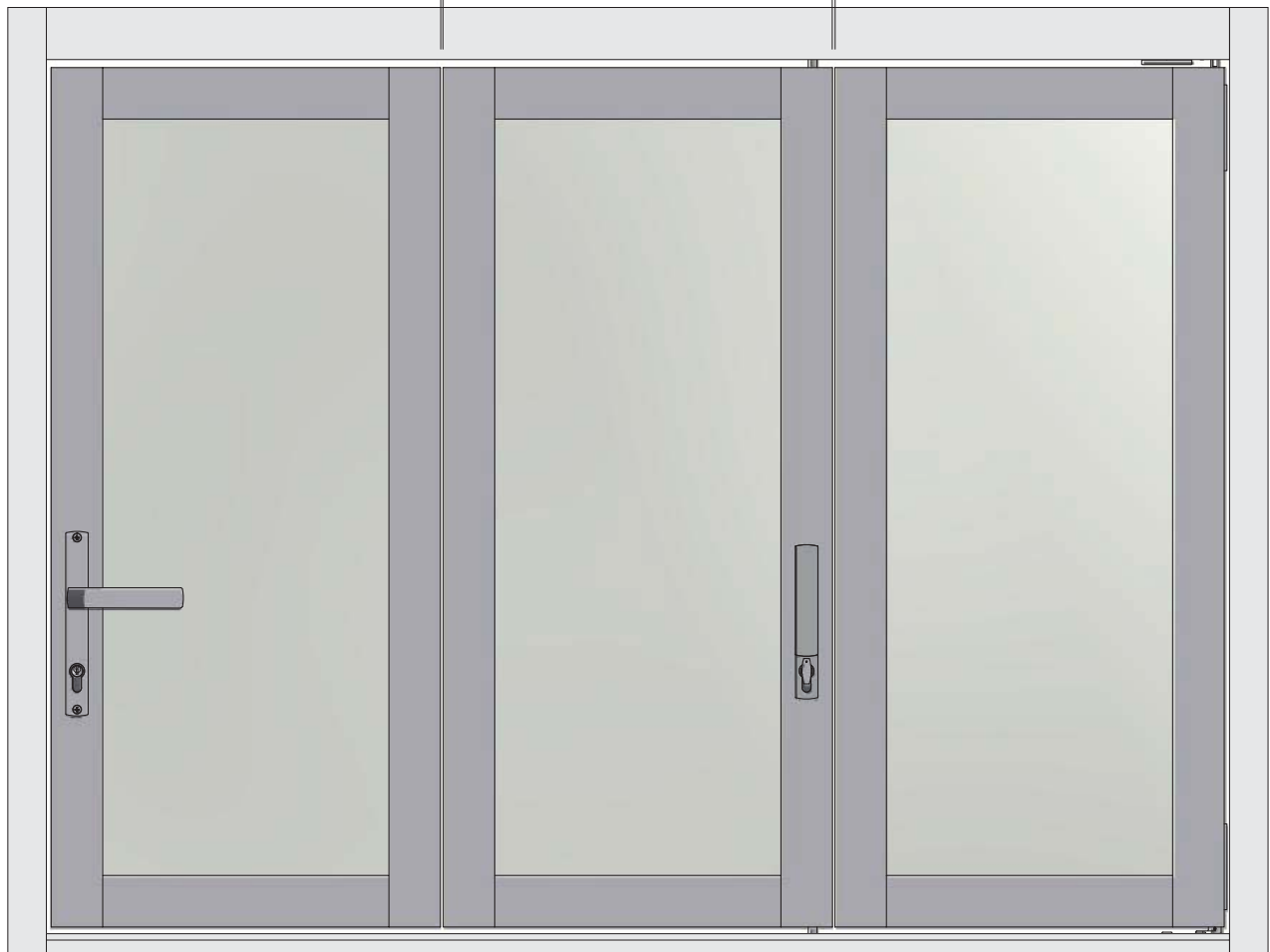
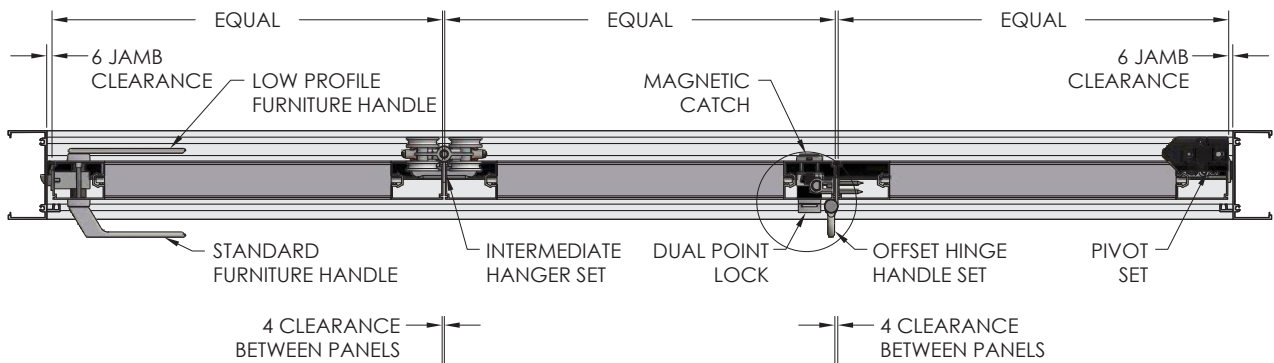
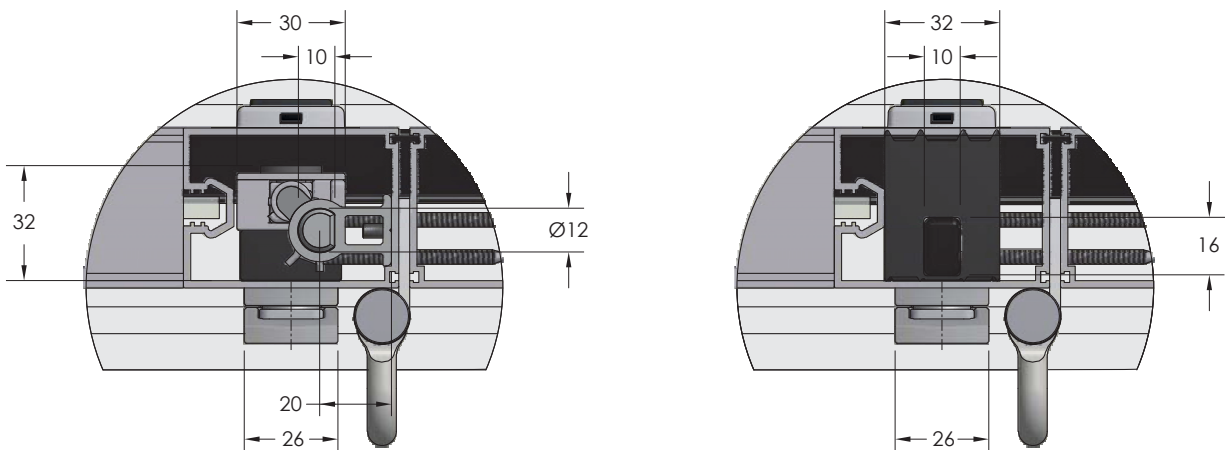
286 and 288 with Weatherfold 4s 100

End Views - Non Mortice Hinges



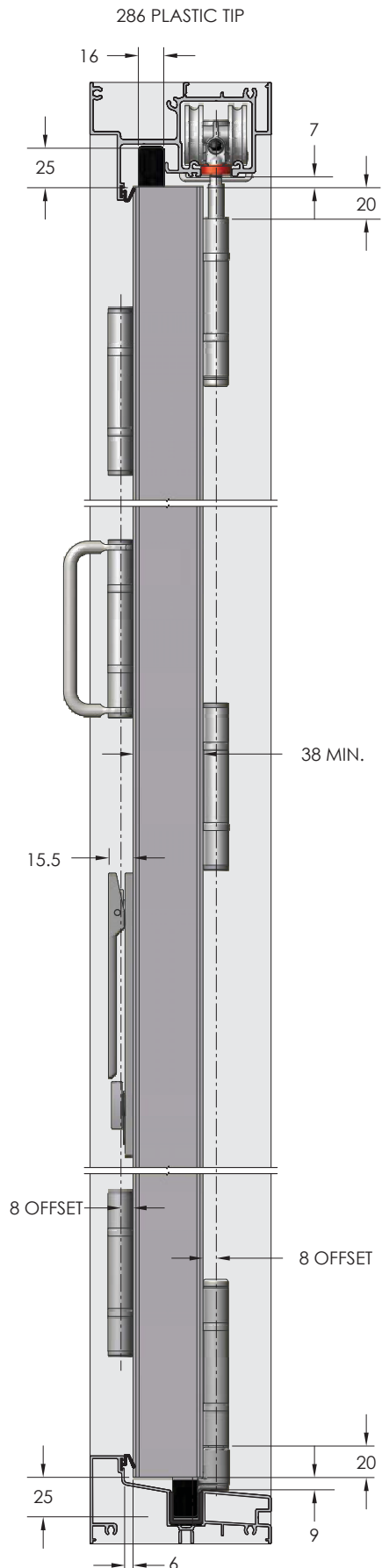
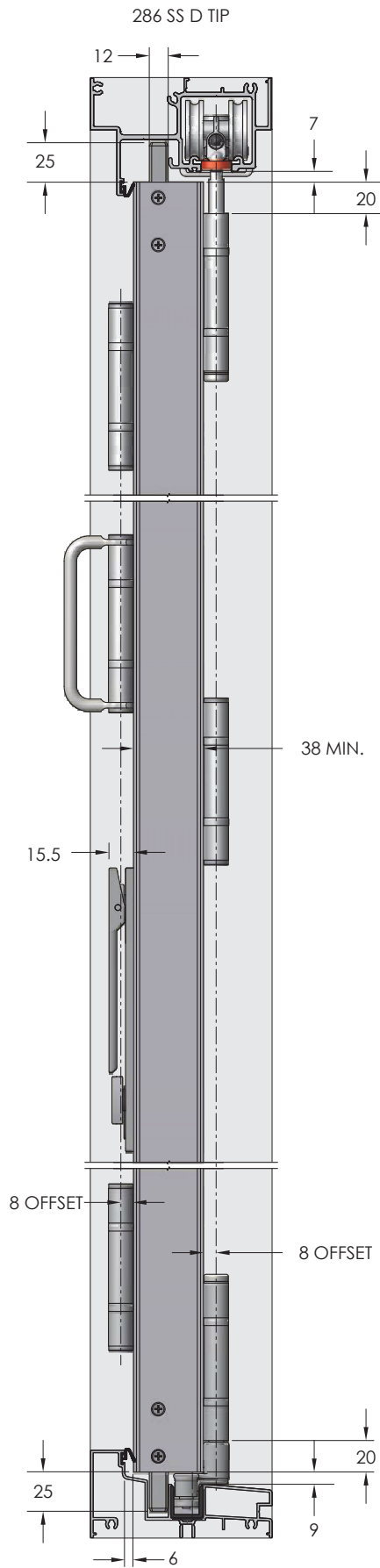
286 and 288 with Weatherfold 4s 100

Top and Front Views - Non Mortise Hinges Aluminium



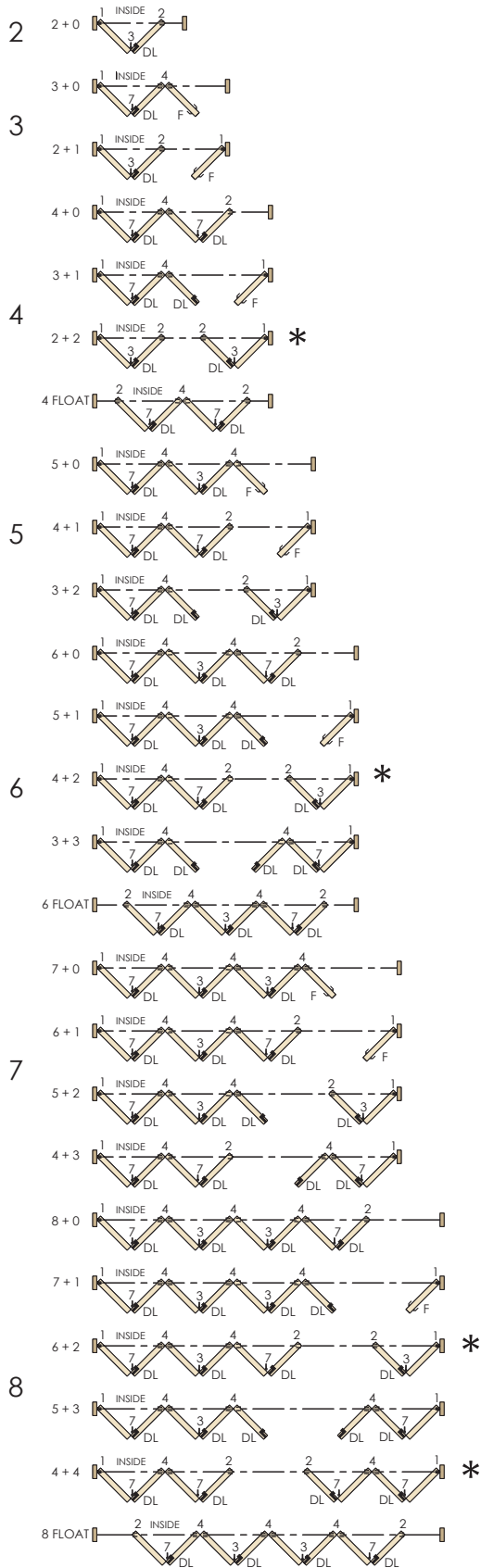
286 and 288 with Weatherfold 4s 100

End Views - Non Mortice Hinges Aluminium

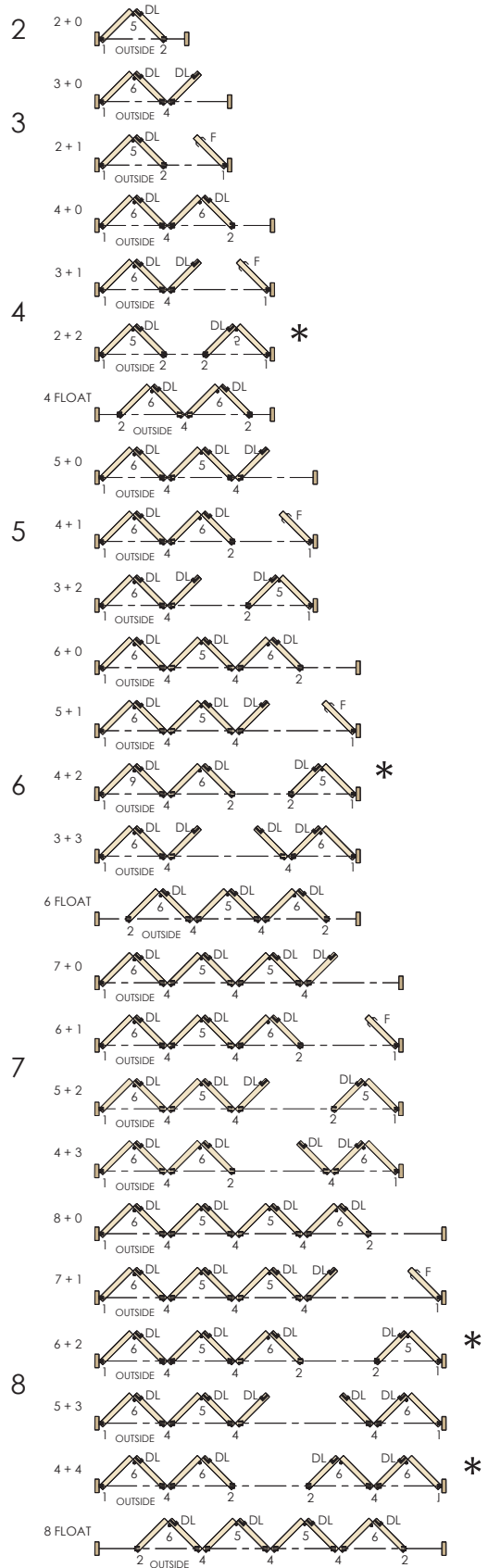


Panel Configuration and Hardware Location

Outward Opening Panels











Inward Opening Panels

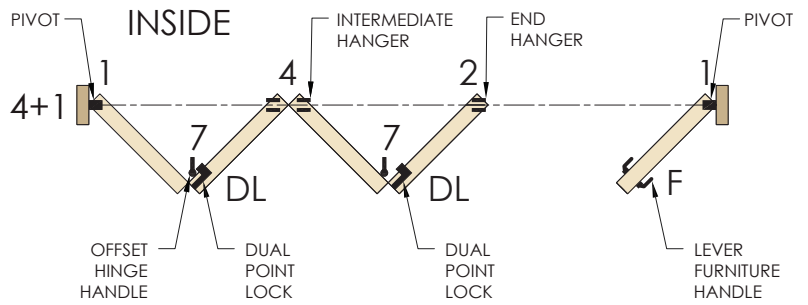


* Two Set 2s mounted left and right are replaced with a single Set 8 if panels are rebated.

Panel Configuration Continued

| HARDWARE LEGEND | | |
|---|------|------------------------------------|
| SYMBOL | REF. | DESCRIPTION |
|  | 1 | Adjustable pivot set |
|  | 2 | End hanger set with guide |
|  | 3 | Hinge set with hinge handle |
|  | 4 | Intermediate hanger set with guide |
|  | 5 | Hinge set |
|  | 6 | Offset hinge set |
|  | 7 | Offset hinge set with hinge handle |
|  | DL | 286 Dual Point lock |
|  | F | 288 Lever Furniture handle set |

The reference number is an abbreviation of the full set number



Specifications

| | | | |
|--|-------------------------------|-------------------------------|--------------|
| 288 Matching Lever Furniture | Satin Stainless | Satin Nickel | Black |
| Stainless steel - standard | 288-85SS | - | - |
| Cast alloy - standard | - | 288-85SN | 288-85PBK |
| Cast alloy - low profile, magnetic | - | 288M-85SN | 288M-85PBK |
| 286 Lock Body | 35mm Backset | 45mm Backset | |
| Timber panel - internal access | 286T/35 | 286T/45 | |
| Timber panel - dual access | 286TD/35 | 286TD/45 | |
| Aluminium panel - internal access | 286A | | |
| Aluminium panel - dual access | 286DA | | |
| Non-Locking Handle (Timber & Aluminium) | Satin Stainless | Satin Nickel | Black |
| Stainless steel - internal access | 286NSS | - | - |
| Cast alloy - internal access | - | 286NSN | 286NPBK |
| Locking Handle for Timber Panels | Satin Stainless | Satin Nickel | Black |
| Stainless steel 38-44mm panel - internal access | 286L-30SS | - | - |
| Stainless steel 44.5mm+ panel - internal access | 286L-40SS | - | - |
| Stainless steel - dual access (no cylinder) | 286DL-SS | - | - |
| Cast alloy 38-44mm panel - internal access | - | 286L-30SN | 286L-30PBK |
| Cast alloy 44.5mm+ panel - internal access | - | 286L-40SN | 286L-40PBK |
| Cast alloy - dual access (no cylinder) | - | 286DL-SN | 286DL-PBK |
| Locking Handle for Aluminium panels | Satin Stainless | Satin Nickel | Black |
| Stainless steel 35mm+ panel - internal access | 286L-40SS | - | - |
| Stainless steel - dual access (no cylinder) | 286DL-SS | - | - |
| Cast alloy 35mm+ panel - internal access | - | 286L-40SN | 286L-40PBK |
| Cast alloy - dual access (no cylinder) | - | 286DL-SN | 286DL-PBK |
| Rod Pack Timber | 1.3m-2.5m Panel Height | 2.5m-3.5m Panel Height | |
| Intermediate 38-44mm panel | 286-25NS | 286-35NS | |
| Intermediate 44.5mm+ panel | 286-25HS | 286-35HS | |
| End panel | 286-25XS | 286-35XS | |
| Rod Pack Aluminium | 1.3m-2.5m Panel Height | 2.5m-3.5m Panel Height | |
| Ø12mm stainless steel D tip | 286-25D | 286-35D | |
| Plastic tip (512 equivalent tip) | 286-25P | 286-35P | |

Lock sets are also available which include a lock body, handle and rod pack

Brio®

Brio – Australia

PO Box 604, Chester Hill, 2162
C5 - C7, Regents Park Estate, 391 Park Road,
Regents Park, NSW 2143, Australia
Phone +61 2 8718 6718 Fax +61 2 8718 6719
www.brio.com.au
email: brío.sales@allegion.com

Brio – UK

Unit 30 Gateway West, Kingfisher Boulevard, Newburn Riverside,
Newcastle Upon Tyne, NE15 8NZ, United Kingdom
Phone +44 (0) 191 2291224 Fax +44 (0) 191 2677891
www.briouk.com
email: brío.sales.uk@allegion.com

Brio – USA

85 Mushroom Blvd
Rochester, NY 14623-3201
Toll Free +1 855 586 6251 Phone +1 585 319 5599 Fax +1 585 319 5741
www.briousa.com
email: brío.sales.usa@allegion.com

About Allegion

Allegion (NYSE: ALLE) is a global pioneer in the field of safety and security. We keep people and their property safe, wherever they are, bringing together simple solutions and advanced technology. Allegion is a \$2 billion company, with products sold in almost 130 countries. For more, visit www.brio.com.au

