



# Barben

23 Container Street,  
Tingalpa, QLD 4173

**Head Office**  
info@barben.com.au  
phone: 07 3890 8558  
fax: 07 3890 8559

# Barben

## Washroom Accessories







Paper Towel Dispensers & Waste Combination Units

Page 4 - 6



Paper Towel Dispenser, Dryer & Waste Combinations

Page 6



Paper Towel Dispensers & Waste Bins

Page 7 & 8



Toilet Roll Holders & Robe Hooks

Page 9 - 12



Soap Dispensers

Page 13 & 14



Baby Change

Page 14 & 15



Shower Seats

Page 16



Mirrors & Shelves

Page 17 & 18



Dryers

Page 18 & 19



Grab Rails & Shower Curtain Rails

Page 19 - 22



Miscellaneous Accessories

Page 22 & 23



DDA Compliant Products - conforming to; AS1428.01-2011

Page 23 & 24





### Product Warranties

The following Bobrick products are warranted to be free from defects in workmanship and material under normal usage from the date of purchase for the periods set forth below. (Rust and discolouration to stainless steel parts resulting from exposure to harsh environmental and/or chemical conditions are not considered to be defects in workmanship or material and there is no express or implied warranty for such conditions. Refer to Bobrick Advisory Bulletin TB-21, Effective Ways to Clean Stainless Steel.)

Washroom Accessories/Soap Dispensers	Limited Warranty
ConturaSeries Washroom Accessories	3 years
Soap Dispensers B-306, B-4063, B-4112, B-822 Series	3 years

The following Bobrick mirrors are warranted against silver spoilage from the date of purchase for the periods set forth below:

Mirrors	Limited Warranty
B-290, B-2908, B-292 Series	15 years
B-165, B-1658, B-166 Series	15 years

The following Bobrick hand dryers are warranted to be free from defects in workmanship and material under normal usage from the date of purchase for the periods set forth below:

Hand Dryers	Limited Warranty
AirCraft Dryers B-700, B-750. Eclipse Dryers B-740, B-748 TrimLineSeries Dryers B-7120, B-7128	Motor brushes for 3 years; all other parts for 10 years.
Elan B-715, B-715E	5 years
Compac B-710, B-710E	1 year

The following Koala Kare products are warranted to be free from defects in workmanship and material under normal usage, and a replacement policy against vandalism from the date of purchase for the periods set forth below:

Koala Kare	Products	Limited Warranty
Baby Changing Stations;	KB100-ST-INB, KB101-INB, KB110-SSRE-INB, KB110-SSWM-INB, KB111-SSWM-INB, KB111-SSRE-INB, KB200, KB200-INB	5 years
Child Protection Seat	KB102-INB	5 years

The following Grab Rail products are warranted to be free from defects in workmanship and material under normal usage, and a replacement policy against vandalism from the date of purchase for the periods set forth below:

Grab Rails	Limited Warranty
B-661, B-685, B-6857	5 years

### Other Products

Bobrick washroom accessories not listed in this section are warranted to be free from defects in workmanship and material under normal usage service for one year from the date of purchase. (Rust and discolouration to stainless steel parts resulting from exposure to harsh environmental and/or chemical conditions are not considered to be defects in workmanship or material and there is no express or implied warranty provided for such condition. Refer to Bobrick Advisory Bulletin TB-21, Effective Ways to Clean Stainless Steel.)

### Limitations on Warranties

In all instances, the purchaser's exclusive remedy is for the repair or replacement, at Bobrick's option, of warranted defective products or parts. Bobrick will also bear the cost of the purchaser's return of defective products or parts to Bobrick. Bobrick's warranties set forth above do not cover damage resulting from vandalism. No other remedy (including, but not limited to, damages for field labour charges, lost profits, lost sales, injury to persons or property or any other incidental or consequential losses) is available.

### Patents

Certain Bobrick products are protected in several countries throughout the world by one or more of the following Patent Numbers:

Australia: 325470;  
China: ZL200930004164.1;  
Europe: 1114637-0001, 1114367-0002;  
France: 926706, 916396, 322840-45;  
Germany: M9303824.0, M9207892.3, M9207590.8, M9207589.4, M9203131.5, M9203130.7, M9106618.2;  
Hong Kong: 9700489.1, 9700488, 9700487.7, 9700486.5; Italy: 67001, 66879, 66877, 64502; 64352, 64351;  
Mexico: 6270;  
Singapore: DU2003/563, DU2003/562/I, DU2003/11/B, DU2003/10/F;  
Spain: 130441/0, 129187/4, 129186/6; Switzerland: 119685;  
Taiwan: D136662;  
United Kingdom: 2026406, 2026405, 2026390, 2022641, 2022640, 2003959, 2003958. Other patents pending.

### Trademarks

- Bobrick trademark is registered with the United States Patent and Trademark Office and as a trademark in several countries throughout the world.
- Koala Kare trademark is registered with United States Patent and Trademark Office and as a trademark in several countries throughout the world.
- MICROBAN trademark is registered with United States Patent and Trademark Office and as a trademark in numerous countries throughout the world.
- Remaining Bobrick trademarks are registered with the United States and Canadian patent and trademark offices and in some other countries throughout the world.

### Photo Licences:

Wynn Macau Resort photo used under the Creative Commons Attribution 3.0 Unported licence. Abu Dhabi International Airport photo courtesy of Nmnogueira at en.wikipedia; used under Creative Commons Attribution-Share Alike 2.5 Generic Licence. Hong Kong Convention and Exhibition Centre photo used under GNU Free Documentation Licence, Version 1.2. O2 World Berlin photo used under GNU Free Documentation Licence, Version 1.2. Illustrations and descriptions herein are applicable to production as of the date of this catalogue.

The manufacturer reserves the right to, and does from time to time, make changes and improvements in designs and dimensions. Catalogue No. IWAE11, 24M. Feb 2011. © 2011 Bobrick Washroom Equipment, Inc. Printed in USA.

### Trimline



**B-38034 Trimline Recessed Paper Towel & Waste**  
Similar to B-3803, but only dispenses C-fold and multifold towels.  
Waste Capacity: 14 L



**B-38032 Trimline Semi-Recessed Paper Towel & Waste**  
Similar to B-38034, with 51mm stainless steel skirt for semi-recessing.  
Waste Capacity: 24 L



**B-380349 Trimline Recessed Paper Towel & Waste**  
Similar to B-38034, with 103mm stainless steel skirt for surface mounting. Waste Capacity: 14 L

### Trimline



**B-39003 Trimline Recessed Paper Towel & Waste**  
Satin Finish Stainless Steel  
435 W x 1420 H  
Waste Capacity: 45.4 L

### Classic



**B-369 Classic Recessed Paper Towel & Waste**  
Satin Finish Stainless Steel  
355 W x 710 H  
Dispenses 350 C-fold



**B-3699 Classic Surfaced Mounted Paper Towel & Waste**  
Similar to Model B369 with stainless steel skirt for surface mounting

### Classic



**B-3942 Classic Recessed Paper Towel & Waste**  
Similar to B-3944, with a 51mm stainless steel skirt for semi-recessed mounting



**B-3944 Classic Recessed Paper Towel & Waste**  
Satin Finish Stainless Steel  
445 W x 1430 H  
Waste Capacity: 45.4 L



**B-3947 Classic Recessed Paper Towel & Waste**  
Similar to B-3944, with 68.1 L waste bin.

## Classic



**B-3949 Classic Recessed Paper Towel & Waste**

Similar to B-3944, with 100mm stainless steel skirt for surface mounting.



**B-3961 Classic Recessed Paper Towel & Waste**

Satin Finish Stainless Steel  
435 W x 1420 H  
Waste Capacity: 45.4 L



**B-39617 Classic Recessed Paper Towel & Waste**

Similar to B-3961, but with 68.1 L waste bin

## Classic



**B-39619 Classic Recessed Paper Towel & Waste**

Similar to B-3961, with 100mm stainless steel skirt for surface mounting

## TowelMate



**B-369-130 TowelMate Module**

Contura, Classic & Trimline  
Satin Finish Stainless Steel  
270 W x 230 H x 90 D  
Reduces towel waste by 20-40%

## Trimline



**B-38033 Trimline Recessed Paper Towel, Waste & Dryer 3-in-1 Unit**

Satin Finish Stainless Steel  
385 W x 1415 H  
Waste Capacity: 12.5 L

## Trimline



**B-380339 Trimline Surface-mounted Paper Towel, Waste & Dryer 3-in-1 Unit**

Satin Finish Stainless Steel  
385 W x 1415 H  
Waste Capacity: 12.5 L



**B-815969 Trimline Recessed Paper Towel, Waste & Dryer 3-in-1 Unit**

Similar to Model B-38033, this unit is narrower and taller  
330 W x 1830 H Capacity: 24 L



**B-8159699 Trimline Recessed Paper Towel, Waste & Dryer 3-in-1 Unit**

Similar to B-815969, but surface mounted.  
Waste Capacity: 24 L

### TB-21 Stainless Steel Cleaning and Maintenance

- Always:** Wipe or polish with the grain direction of satin finishes.  
Remove any cleaning or soap residue from stainless surface with water and wipe dry with clean cloth.
- Caution:** Avoid cleaning products containing bleach, hydrochloric acids and or chlorides . . . these are frequently found in toilet bowl or tile cleaners and in abrasive scrubbing powders.  
Avoid use of steel wool which can leave behind fine particles that cause surface rust.  
Avoid use of abrasive cleaners on bright polish stainless steel surfaces.

CONDITION	CLEANING AGENT	METHOD OF APPLICATION
Dirt, smudges, and fingerprints	Use mild cleaning solution or stainless steel cleaners.	Apply cleaner. Wipe off soil using a cloth or sponge for smooth surfaces and a soft brush for textured surfaces. Rinse and dry.
Graffiti	Bobrick Graffiti Remover, part #891099 or equivalent.	Apply cleaner, rub spots with soft cloth or sponge. Rinse and dry.
Stubborn spots, atmospheric discoloration	Liquid or spray stainless steel polish.	As recommended by manufacturer. Rinse or dry.
Mineral deposit or scale from hard water	Bathroom cleaners containing phosphoric acid or acetic acids.	Apply liberally, allow to stand for a few minutes; scrub with coarse toeling or soft bristle brush in direction of grain. Rinse and dry.
"Rust" discoloration resulting from exposure to harsh environmental and or chemical conditions	Appropriate cleaner listed above, plus 3M Scotch Brite pad #7447 or equivalent.	Clean surface as above, then rub stained area lightly with 3M Scotch Brite pad. Clean with stainless steel polish. Rinse and dry. Rub only with the grain direction of satin finishes. . . do not use on bright polish stainless steel.

Revised 81611 Printed in U.S.A.  
© 2011 by Bobrick Washroom Equipment, Inc.

### Classic

Model No.	Recycled Stainless Steel Content	Model No.	Recycled Stainless Steel Content	Model No.	Recycled Stainless Steel Content
B-390034	67%	B-529	50-65%	B-7671	50-65%
B-3942	67%	B-530	65-70%	B-76717	50-65%
B-3944	67%	B-5806 Series	65-70%	B-7672	50-65%
3944-52	67%	B-5837	65-70%	B-76727	50-65%
3944-130	69%	B-58616	65-70%	B-7685	50-65%
3944-134	50-70%	B-6047	65-70%	B-76857	50-65%
B-3947	67%	B-6107	65-70%	B-7686	50-65%
B-3949	67%	B-663	50-65%	B-76867	50-65%
B-3961	67%	B-6637	50-65%	B-822	50-70%
3961-50	67%	B-667	50-70%	B-8221	50-70%
B-39617	67%	B-6677	50-70%	B-82216	50-70%
B-39619	67%	B-669	50-70%	B-8226	50-70%
B-397	50-70%	B-6697	50-70%	B-830	50-70%
B-3974	67%	B-6699	50-70%	B-8397	50-65%
B-39747	67%	B-66997	50-70%	B-942	65%
3974-50	67%	B-670	50-70%	B-983	65%
B-3979	67%	B-6707	50-70%	B-985	65%
B-398	50-70%	B-671	50-70%	KB100-ST	48%
B-4063	50-70%	B-6717	50-70%	KB110-SSRE	55%
B-4112	50-70%	B-672	50-70%	KB110-SSWM	55%
B-4221	65%	B-6727	50-70%	KB111-SSRE	68%
B-4262	69%	B-674 Series	65%	KB111-SSWM	68%
B-4288	67%	B-677	50-70%		
B-4353	50-70%	B-6777	50-70%		
B-4354	50-70%	B-680	50-70%		
B-43644	65%	B-6806 Series	65-70%		
43644-134	50-70%	B-6807	50-70%		
B-4369	69%	B-68137	65-70%		
B-43699	69%	B-682	50-70%		
4369-134	69%	B-6827	50-70%		
B-4388	67%	B-683	50-70%		
B-4390	50-65%	B-685	50-70%		
B-43944	69%	B-6857	50-70%		
43944-134	69%	B-686	50-70%		
B-43949	69%	B-6861	65-70%		
B-4706 Series	60-70%	B-68616	65-70%		
B-47064 Series	60-70%	B-6867	50-70%		
B-47069 Series	60-70%	B-697	50-70%		
B-4998	65-70%	B-6977	50-70%		
B-505	50-70%	B-699	50-70%		
B-517	65-70%	B-6997	50-70%		
B-518	65-70%	B-6999	50-70%		
B-5181	65-70%	B-69997	50-70%		
B-5191	65-70%	B-7120	50-70%		
B-526	50-70%	B-7128	50-70%		
B-527	50-70%	B-715E	65%		

Revised 81611 Printed in U.S.A.  
© 2011 by Bobrick Washroom Equipment, Inc.



**B-262 Classic Surface Mounted Paper Towel Dispenser**  
Satin Finish Stainless Steel  
275 W x 355 H  
Dispenses 400 C-fold towels  
Lockable cabinet



**B-2620 Classic Surface Mounted Paper Towel Dispenser**  
Satin Finish Stainless Steel  
275 W x 355 H  
Dispenses 400 C-fold towels



**B-2621 Classic Surface Mounted Paper Towel Dispenser**  
Satin Finish Stainless Steel  
275 W x 180 H  
Dispenses 200 C-fold towels



**B-2974 Surface Mounted Automatic Roll Paper Towel Dispenser**  
Satin Finish Stainless Steel  
385 W x 465 H x 230 D  
Dispenses 205 W x 244 M Rolls  
Electronic Sensor & Controls



**B-29744 Semi-Recessed Automatic Roll Paper Towel Dispenser**  
Satin Finish Stainless Steel  
435 W x 515 H x 130 D  
Dispenses 205 W x 244 M Rolls  
Electronic Sensor & Controls



**B-35903 Trimline Recessed Paper Towel Dispenser**  
Satin Finish Stainless Steel  
330 W x 480 H  
Dispenses C-fold & Multifold towel

### Contura



**B-4262 Contura Surface Mounted Paper Towel Dispenser**  
Satin Finish Stainless Steel  
275 W x 345 H  
Dispenses 400 C-fold towels  
Includes New TowelMate

### Trimline



**B-318 Trimline Recessed Paper Towel Dispenser**  
Satin Finish Stainless Steel  
290 W x 455 H  
Capacity: 600 C-fold towels



**B-526 Trimline Countertop Mounted Paper Towel Dispenser**  
Satin Finish Stainless Steel  
324 W x 152 H  
Mounts in counters 19-38 thick



### Trimline



**B-2400 Floor Standing Waste Receptacle**

Satin Finish Stainless Steel  
290 W x 815 H  
Waste Capacity: 125 L

### Contura



**B-277 Surface Mounted Waste Bin**

Includes New LinerMate  
Satin Finish Stainless Steel  
385 W x 585 H  
Waste Capacity: 48.3 L



**B-43644 Recessed Waste Bin**

Includes New LinerMate  
Satin Finish Stainless Steel  
265 W x 705 H  
Waste Capacity: 48.3 L

### Classic



**B-275 Surface Mounted Waste Bin**

Satin Finish Stainless Steel  
420 W x 585 H  
Waste Capacity: 75.7 L



**B-529 Circular Waste Chute**

Bright Stainless Steel  
173 W x 151 H  
Rolled Flange



**B-527 Recessed Countertop Waste Door**

Satin Finish Stainless Steel  
324 W x 152 H  
Mounts in counters 19-38 thick



**B-2300 Floor Standing Dome Lid Waste Receptacle**

Satin Finish Stainless Steel  
381 W x 787 H  
Waste Capacity: 68.1 L

### Classic



**B-3944-134 LinerMate® Accessory**

Classic & Contura Series  
Molded Plastic Sleeve  
Satin Stainless Steel  
375 W x 565 H x 180 D  
Waste Capacity: 45.4 L



**B-279 Surface Mounted Waste Bin**

Satin Stainless Steel  
355 W x 455 H  
Waste Capacity: 24.2 L



**B-2250 Floor Standing Waste Bin**

Satin Stainless Steel  
340 W x 750 H  
Waste Capacity: 49.2 L



**B-2260 Floor Standing Waste Bin**

Satin Stainless Steel  
Open-Top, No Cover  
320 W x 560 H  
Waste Capacity: 49.2 L

**B-2280** 355 W x 760 H  
Waste Capacity: 79.5 L

### TB-88 Washroom Accessories LEED Information

Bobrick uses type-304 stainless steel in the manufacture of its washroom accessories. The stainless steel material used contains a significant amount of post industrial recycled stainless steel content balanced with virgin iron and ferrous alloys.

The recycled stainless steel content varies because Bobrick sources stainless steel worldwide and Bobrick products are manufactured in different locations.

The following numerical list of Bobrick models indicates the percentage content of recycled stainless steel in each product.

Model No.	Recycled Stainless Steel Content	Model No.	Recycled Stainless Steel Content	Model No.	Recycled Stainless Steel Content
B-1556 Series	60-75%	B-277	50-70%	B-3479	60-70%
B-165 Series	50-70%	B-279	67%	B-353	67%
B-1658 Series	50-70%	B-2840	65%	B-35303	67%
B-166 Series	60-75%	B-2860	50-70%	B-354	67%
204-1	50-65%	B-2888	67%	B-357	60-70%
B-207	65-70%	B-2890	50-65%	B-3571	60-70%
B-2111	50-70%	B-2892	65%	B-3574	60-70%
B-2112	50-70%	B-290 Series	50-70%	B-3579	60-70%
B-221	67%	B-2908 Series	60-75%	B-359	67%
B-223	65%	B-292 Series	60-75%	B-35903	67%
B-224	65%	B-293 Series	60-75%	B-369	67%
B-232	65%	B-294 Series	60-75%	369-130	75%
B-239	65%	B-295	65%	B-36903	67%
B-240	65%	B-296	65%	B-3699	67%
B-254	67%	B-297	50-70%	B-3706 Series	60-70%
B-261	50-70%	B-2974	50-70%	3706-176	65%
B-262	67%	B-29744	50-70%	B-37063 Series	60-70%
262-130	82-84%	B-298	65%	B-370634 Series	60-70%
B-2620	67%	B-299	50-70%	B-370639 Series	60-70%
B-2621	67%	B-301	67%	B-3803	67%
B-26212	67%	B-3013	67%	3803-130	75%
B-263	50-70%	B-306	50-70%	B-38032	67%
B-270	67%	B-3094	67%	B-38034	67%
B-2706 Series	60-70%	B-318	50-70%	B-380349	67%
B-272	50-70%	B-347	60-70%	B-3888	67%
B-27313	50-70%	B-3471	60-70%	B-39003	67%
B-275	67%	B-3474	60-70%	39003-130	75%

Revised 81611 Printed in U.S.A.  
© 2011 by Bobrick Washroom Equipment, Inc.

continued . . .





**B-4369** **CONTURA™ TOWEL AND WASTE**  
Satin Finish Stainless Steel, Patented  
325 W x 710 H x 65 D  
**Recessed**  
Includes New TowelMate & LinerMate

**B-43699** **CONTURA™ TOWEL AND WASTE**  
Satin Finish Stainless Steel, Patented  
325 W x 710 H x 140 D  
**Surface-mounted**  
Includes New TowelMate & LinerMate

**B-4112** **CONTURA™ SURFACE-MOUNTED SOAP DISPENSER**  
Satin Finish Stainless Steel,  
Patented 180 W x 155 H x 85 / 65 D  
1.2 L capacity

## Contura



**B-4288** **Contura Surface Mounted Multi Toilet Roll Dispenser**  
Satin Finish Stainless Steel  
155 W x 280 H  
Holds 2 standard toilet rolls



**B-4388** **Contura Recessed Multi Toilet Roll Dispenser**  
Satin Finish Stainless Steel  
190 W x 320 H  
Holds 2 standard toilet rolls



**B-667** **Recessed Toilet Tissue Dispenser**  
Bright Polished Stainless Steel  
155 W x 155 H  
For stud walls or countertop aprons  
**B-6677** Satin Finish Stainless Steel

## Trimline



**KB-200** **BABY CHANGE TABLE**  
Horizontal Wall-Mounted  
890 W x 550 H x 102 / 562 D



**B-BR35** **WC BACK REST**  
Satin Finish Stainless Steel Frame  
Concealed Wall-fixings  
Adjustable padded cushion  
560 W with Depth Adjustment



**B-BR36** **Deluxe WC BACK REST**  
Satin Finish Stainless Steel Frame  
Concealed Wall-fixings  
Adjustable padded cushion  
560 W with Depth Adjustment



**B-669** **Trimline Recessed Toilet Roll Dispenser**  
Bright Polished Stainless Steel  
155 W x 155 H  
For stud walls or countertop aprons  
**B-6697** Satin Finish Stainless Steel



**B-699** **Trimline Recessed Dual Toilet Roll Dispenser**  
Bright Polished Stainless Steel  
315 W x 155 H  
**B-6997** Satin Finish Stainless Steel



**B-6699** **Trimline Surface Mounted Toilet Roll Dispenser**  
Bright Polished Stainless Steel  
155 W x 155 H  
**B-66997** Satin Finish Stainless Steel

## Trimline

## Classic



**B-6999** **Trimline Surface Mounted Dual Toilet Roll Dispenser**  
Bright Polished Stainless Steel  
315 W x 155 H  
**B-69997** Satin Finish Stainless Steel



**B-2888** **Classic Surface Mounted Multi Toilet Roll Dispenser**  
Satin Finish Stainless Steel  
155 W x 280 H  
Holds 2 standard toilet rolls



**B-3888** **Classic Recessed Multi Toilet Roll Dispenser**  
Satin Finish Stainless Steel  
190 W x 320 H  
Holds 2 standard toilet rolls

## Classic



**B-27313 Classic Surface Mounted 3 Toilet Tissue Dispenser**  
Satin Finish Stainless Steel  
125 W x 375 H



**B-2890 Classic Surface Mounted Jumbo Toilet Roll Dispenser**  
Satin Finish Stainless Steel  
271 W x 271 H



**B-2892 Classic Surface Mounted Twin Toilet Roll Dispenser**  
Satin Finish Stainless Steel  
525 W x 290 H

## Classic



**B-2721 Classic Surface Mounted Toilet Tissue Dispenser**  
Satin Finish Stainless Steel  
130 W x 230 H



**B-2840 Classic Surface Mounted Toilet Tissue Dispenser**  
Satin Finish Stainless Steel  
405 W x 100 H



**B-685 Classic Single Roll Toilet Tissue Dispenser**  
Bright Polished Stainless Steel  
185 W x 85 Proj.  
**B-6857** Satin Finish Stainless Steel

## Classic



**B-686 Classic Surface-Mounted Toilet Tissue Dispenser**  
Bright-polished stainless steel  
Holds rolls up to 140 diameter  
320 W x 85 Proj.

**B-6867** Satin Finish Stainless Steel



**B-273 Classic Surface-Mounted Toilet Tissue Dispenser**  
Cast aluminium, Satin Finish  
Controlled delivery  
165 W x 125 Proj.

**B-2730** HD Cast aluminium, Satin Finish



**B-274 Classic Surface-Mounted Toilet Tissue Dispenser**  
Cast aluminium, Satin Finish  
Double Roll, controlled delivery  
320 W x 125 Proj.

**B-2740** HD Cast aluminium, Satin Finish

## Dryers



**B-7120 TRIMLINE™ (WHITE) HAND DRYER**  
Black trim for luminance contrast  
350 W x 345 H  
10 year warranty



**B-7128 TRIMLINE™ (STAINLESS) HAND DRYER**  
Black trim for luminance contrast  
350 W x 345 H  
10 year warranty

## Shower Seat



**B-819687 SHOWER SEAT FOLDING**  
Seat: Solid Phenolic  
960 W x 390 D  
Meets Disabled Code

## Shelf



**B-295 x14 SHELF STAINLESS STEEL**  
Satin Finish,  
355 W x 125 D

## Mirrors



**B-2908 1639 MIRROR ACCESS/DISABLED**  
Safety Glass.  
Stainless Steel Angle Frame  
406 W x 990 H



**B-1658 1639 MIRROR ACCESS/DISABLED**  
Safety Glass.  
Stainless Steel Channel Frame  
406 W x 990 H

### Hooks



**B-211 Heavy Duty Clothes Hook**

Brass with Satin Nickel Finish  
Exposed Mounting  
70 W x 85 H



**B-2116 Heavy Duty Clothes Hook**

Brass with Satin Nickel Finish  
Withstands 136kg downward pull if installed correctly



**B-233 HOOK**

Satin Finish Stainless Steel  
30 W x 55 H

### Hooks



**B-232 x24 HOOK PANEL**

Satin Finish Stainless Steel.  
Available in panels of 3 hooks.  
610 W x 165 H



**B-239 x34 SHELF, MOP HOLDERS & RAG HOOKS**

Satin Finish Stainless Steel.  
3 anti-slip mop holders  
865 W x 330 H x 205 D

### Mop Holders



**B-223x24 MOP HOLDER**

Satin Finish Stainless Steel.  
3 mop holders  
610 W



**B-223x36 MOP HOLDER**

Satin Finish Stainless Steel.  
4 mop holders  
915 W



**B-224x36 UTILITY SHELF**

Satin Finish Stainless Steel  
4 Mop Holders  
915 W

### Classic



**B-2746 Classic Surface-Mounted Double Toilet Tissue Disp.**

Cast aluminium, Satin Finish  
Tumbler lock, controlled delivery  
360 W x 135mm Proj.

**B-27460** HD cast aluminium, Satin Finish



**B-264 Classic Surface-Mounted Toilet Tissue Dispenser**

Bright-polished, chrome-plated steel  
Vandal-resistant  
150 W x 110 Proj.



**B-265 Classic Double-Roll Toilet Tissue Dispenser**

Bright-polished, chrome-plated steel  
Vandal-resistant  
310 W x 110 Proj.

### Classic



**B-541 Classic Spare Toilet Roll Holder**

Satin Finish Stainless Steel  
Concealed mounting plate  
50 W x 202 H



**B-543 Classic Surface-Mounted Toilet Tissue Dispenser**

Satin Finish Stainless Steel  
Concealed mounting plate  
140 W x 115 H



**B-544 Toilet Brush Holder**

Satin Finish Stainless Steel  
Wall Mounting Bracket  
95 W x 415 H x 105 D

### Classic



**B-543 Theft-Resistant Toilet Tissue Spindle**

Black High-impact Polystyrene  
Concealed Locking Mechanism  
115 - 130 W x 30 H

#### Our Commitment to Non-Proprietary Dispensing;

Bobrick dispensers are designed to accept commonly available consumables, such as soaps, paper towels and toilet tissue.

Our commitment to non-proprietary systems frees building owners from expensive and restrictive consumable contracts and lowers their operating costs.

#### Our Commitment to the Environment;

Bobrick washroom accessories are manufactured to be environmentally responsible, using 50-70% recycled and recyclable stainless steel.

Koala Kare products are fabricated from 50% recycled polyethylene and stainless steel.

Recent dispensing innovations, including TowelMate, automatic roll towel dispensers and the TrimLineSeries Dryers, set new standards in paper and waste reduction.



### Classic



**B-670** **Classic Surface-Mounted Utility hook**  
**B-6707**  
 B-670 Bright polished Stainless Steel  
 B-6707 Satin Finish Stainless Steel  
 50 W x 50 Proj.



**B-671** **Classic Surface-Mounted Single Robe Hook**  
**B-6717**  
 B-671 Bright polished stainless steel  
 B-6717 Satin Finish Stainless Steel  
 50 W x 50 Proj.



**B-542** **Classic Cubicle Collection Coat Hook**  
 Satin Finish Stainless Steel  
 Concealed mounting plate  
 ø50 W x 33 Proj.

### Classic



**B-672** **Classic Surface-Mounted Double Robe Hook**  
**B-6727**  
 B-672 Bright polished Stainless Steel  
 B-6727 Satin Finish Stainless Steel  
 105 W x 60 Proj.

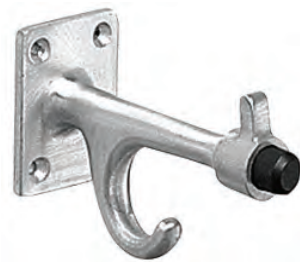


**B-682** **Classic Surface-Mounted Hat and Coat Hook**  
**B-6827**  
 B-682 Bright polished Stainless Steel  
 B-6827 Satin Finish Stainless Steel  
 50 W x 165 H x 80 Proj.



**B-677** **Classic Surface-Mounted Towel Pin**  
**B-6777**  
 B-677 Bright polished Stainless Steel  
 B-6777 Satin Finish Stainless Steel  
 50 W x 85 Proj.

### Classic

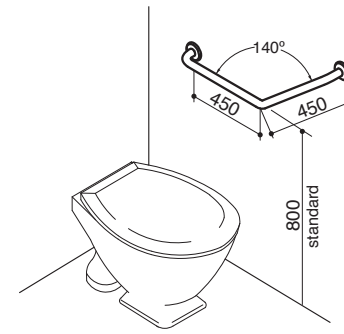


**B-212** **Hook And Bumper**  
 Matte Finish Cast Aluminium  
 40 W x 65 H x 95 Proj.

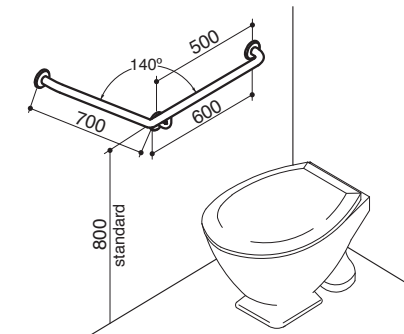


**Classic Surface-Mounted Towel Bar**  
**B-674x18** Bright polished Stainless Steel: 500 W  
**B-674x24** Bright polished Stainless Steel: 650 W  
**B-6747x18** Satin Finish Stainless Steel: 500 W  
**B-6747x24** Satin Finish Stainless Steel: 650 W

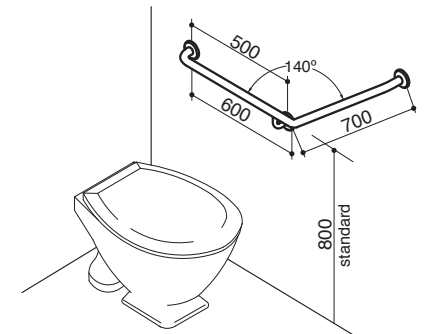
### Grab Rails



**B-819486** **A**  
 2009

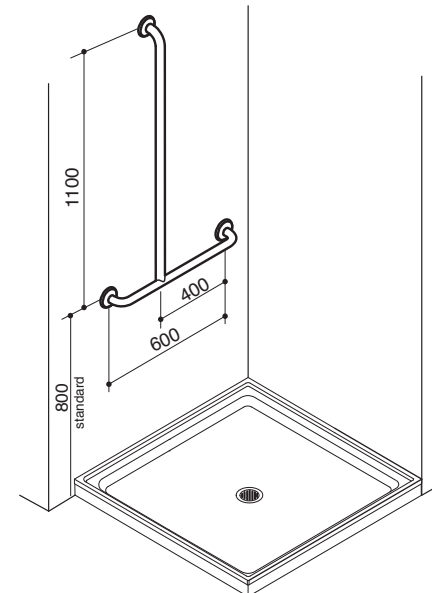


**B-819429** **A**  
 2009

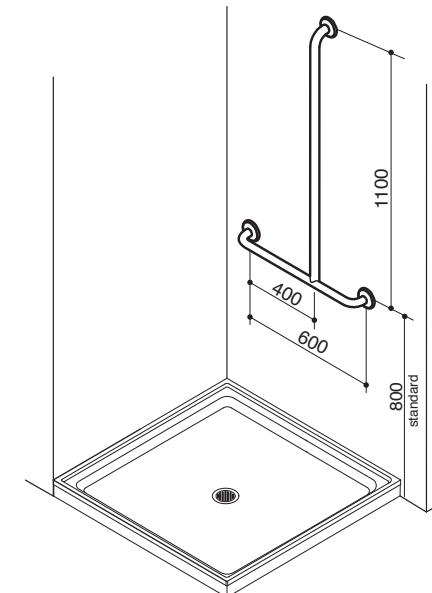


**B-819430** **A**  
 2009

### Grab Rails

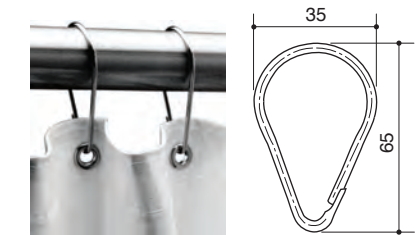


**Shower Grab Rail**  
**B-SGR116L**



**Shower Grab Rail**  
**B-SGR116R**

### Shower Curtains

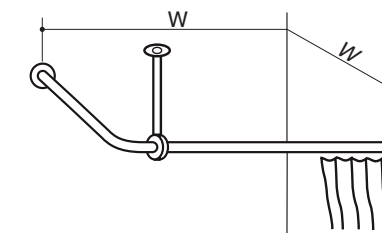


**B-204-1** **Shower Curtain Hook**  
 ø2.0 Stainless Steel

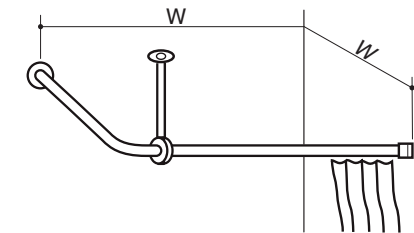
### Shower Curtains



**Heavy Duty Shower Curtain**  
**B-204-2** 1065 W x 1830 H  
**B-204-3** 1780 W x 1830 H  
 Longer Sizes available upon request

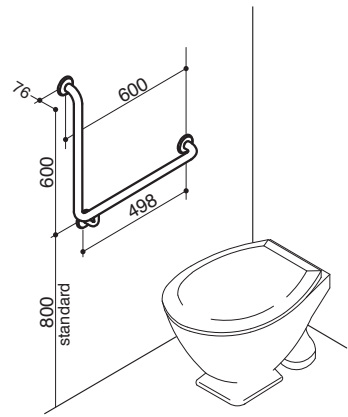


**Corner Shower Curtain Rail with Ceiling Support**  
**B-SCR9** 900 W  
**B-SCR10** 1000 W  
**B-SCR12** 1200 W  
**B-SCR15** 1500 W

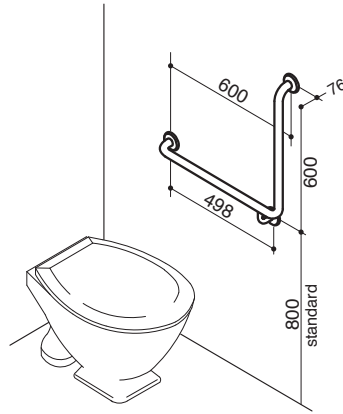


**Corner Shower Curtain Track with Ceiling Support**  
**B-SCT9** 900 W  
**B-SCT10** 1000 W  
**B-SCT12** 1200 W  
**B-SCT15** 1500 W

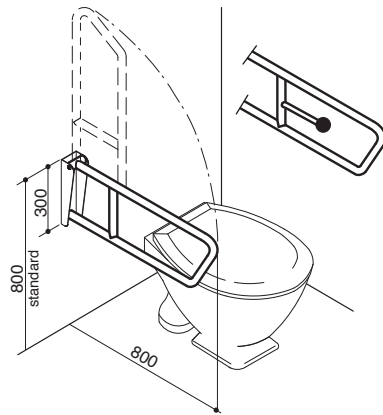
## Grab Rails



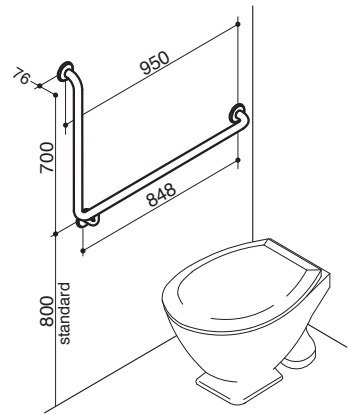
**B-819433** 2009



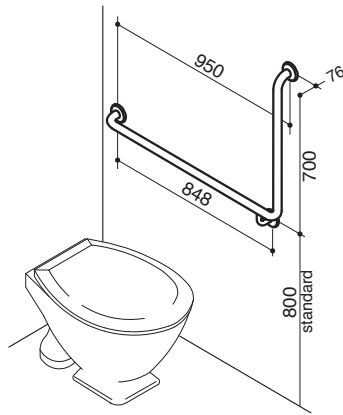
**B-819434** 2009



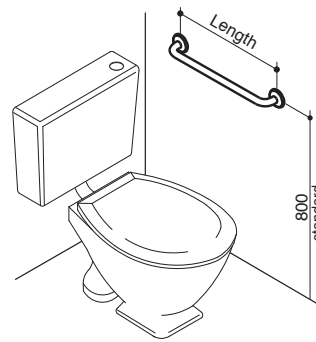
**B-4998** Drop-down Rail  
**B-4998SP** +Toilet Roll Holder



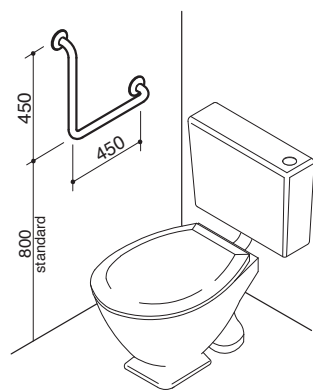
**B-819435** 2009



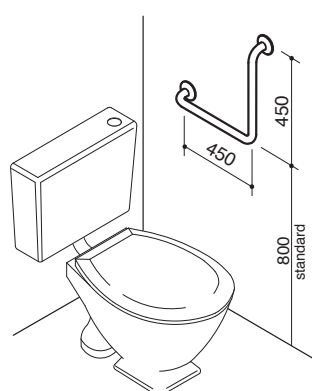
**B-819436** 2009



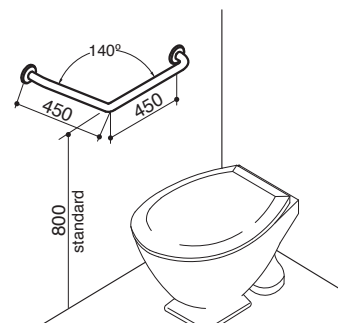
**B-819439** Length: 300  
**B-819440** Length: 450  
**B-819441** Length: 600  
**B-819442** Length: 750  
**B-819443** Length: 900  
**B-81944n** Others available



**B-819489** 2009



**B-819490** 2009



**B-819485** 2009

## Soap Dispensers

### Contura



**B-4063** **Contura Recessed Soap Dispenser**  
Satin Finish Stainless Steel  
Capacity: 1.5 L  
185 W x 160 H



**B-4112** **Contura Surface-Mounted Soap Dispenser**  
Satin Finish Stainless Steel  
Capacity: 1.2 L  
180 W x 155 H



**B-4112 316** **Contura Surface-Mounted Soap Dispenser**  
Satin Finish **316** Stainless Steel  
Capacity: 1.2 L  
180 W x 155 H

### Contura



**B-822** **Contura Lavatory-Mounted Soap Dispenser**  
Bright polished stainless steel  
Capacity: 1.0 L  
Body: High-impact-resistant plastic



**B-922** **Contura Lavatory-Mounted Soap Dispenser**  
Bright polished stainless steel  
Capacity: 3.3 L  
Under-The-Counter Soap Reservoir

### Classic



**B-2112** **Classic Surface-Mounted Soap Dispenser**  
Satin Finish Stainless Steel  
Capacity: 1.2 L  
205 W x 120 H

### Classic



**B-2111** **Classic Surface-Mounted Soap Dispenser**  
Satin Finish Stainless Steel  
Capacity: 1.2 L  
120 W x 205 H

### Trimline



**B-306** **Trimline Recessed Soap Dispenser**  
Satin Finish Stainless Steel  
Capacity: 1.3 L  
240 W x 140 H



**B-8601** **Trimline Panel-Mounted Soap Dispenser**  
Bright polished stainless steel  
Capacity: 1.0 L  
Body: High-impact-resistant plastic

### Classic



**B-26607 Classic Surface-Mounted Soap Cartridge Dispenser**  
Satin Finish Stainless Steel  
Capacity: 500 ML  
96 W x 286 H



**B-26617 Classic Surface-Mounted Soap Cartridge Dispenser**  
Satin Finish Stainless Steel  
Capacity: 1.0 L  
96 W x 336 H



**B-26627 Classic Surface-Mounted Foam Cartridge Dispenser**  
Satin Finish Stainless Steel  
Capacity: 500 ML  
96 W x 286 H

### Classic



**B-26637 Classic Surface-Mounted Foam Cartridge Dispenser**  
Satin Finish Stainless Steel  
Capacity: 1.0 L  
96 W x 336 H

### Baby Change



#### What is Microban® antimicrobial product protection?

Microban® built-in antimicrobial protection is a broad range of technologies for solid products, coatings and fibers.

Microban antimicrobial protection gives products an added level of protection against damaging microbes such as, bacteria, mold and mildew that can cause stains, odors and product deterioration.

Microban® protection continuously fights the growth of microbes that can cause stains, odors and product degradation. Microban protection makes the products in your home easier to clean and keeps them cleaner and fresher between cleanings.



**KB200 Horizontal Wall-Mounted Baby Changing Station**  
Polypropylene: Holds to 90 Kg  
889 W x 565 H  
Available in Colours;  
-00 CREAM  
-01 GREY  
-05 WHITE GRANITE



**KB101 Vertical Wall-Mounted Baby Changing Station**  
Polypropylene: 11g Steel mtg. plates  
559 W x 902 H  
Available in Colours;  
-00 CREAM  
-01 GREY  
-05 WHITE GRANITE



**KB102 Wall-Mounted Child Protection Seat**  
Polypropylene: S/S hinge rod  
559 W x 902 H  
Available in Colours;  
-00 CREAM  
-01 GREY  
-05 WHITE GRANITE

### Dryers



**B-319327 Recessed Dryer & Waste Receptacle 2-in-1 Unit**  
Satin Finish Stainless Steel  
Waste Capacity: 24 L  
385 W x 1415 H



**B-3193279 Surface Mount Dryer & Waste Receptacle 2-in-1 Unit**  
Satin Finish Stainless Steel  
Waste Capacity: 24 L  
385 W x 1415 H

### Grab Rails

#### Designers Note:

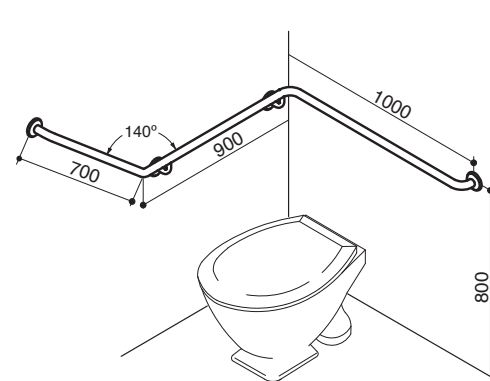
All Grab Rails are ø32 dia, 304 Satin Finish Stainless Steel, have 60 wall clearance and concealed fixings - unless otherwise noted.

Suits disabled code AS1428.1-2009 - when installed correctly.

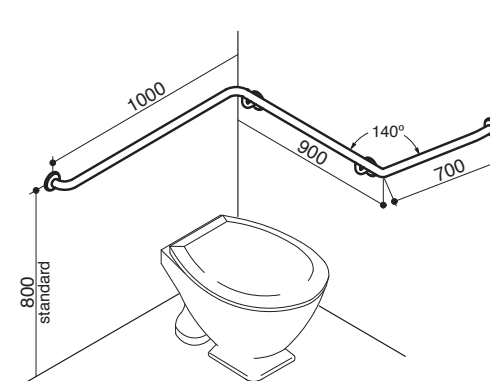
Legend



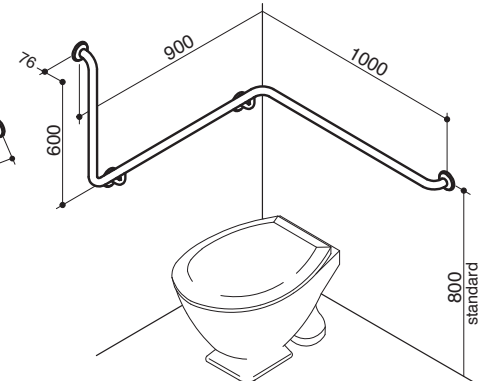
### Grab Rails



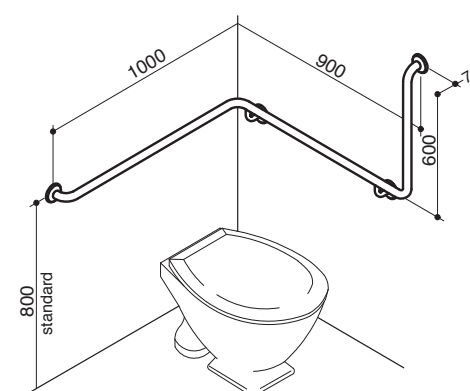
**B-819437**



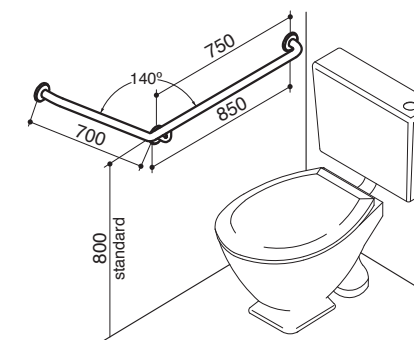
**B-819438**



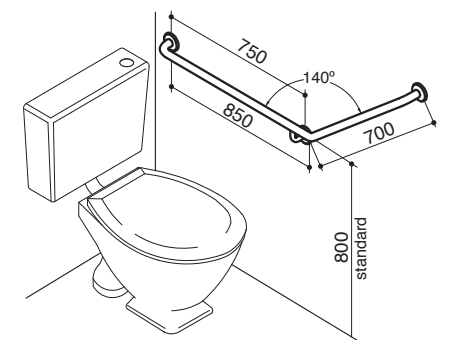
**B-819491**



**B-819492**



**B-819487**



**B-819488**



### Shelves



**B-295 Stainless Steel Shelf**

Satin Finish Stainless Steel  
Standard depth; 125 D  
Available in Standard Widths;

**x14** 355 W (Acces/Disabled)

**x16** 405 W

**x18** 455 W

**x24** 610 W



**B-683x24 Stainless Steel Shelf**

Bright Polished Finish  
Concealed Fixing  
145 D x 610 W

### Dryers



**B-715 Elan™ Hand Dryer**

Satin Finish Stainless Steel  
5 year warranty  
295 W x 280 H

### Dryers



**B-740 Eclipse™ Hand Dryer (White)**

Contemporary styling.  
Durable drawn steel cover  
10 Year warranty  
390 W x 225 H



**B-748 Eclipse™ Hand Dryer (Chrome)**

Contemporary styling.  
Durable drawn steel cover  
10 Year warranty  
390 W x 225 H



**B-7120 Trimline™ Hand Dryer**

Epoxy powder-coated White Cover  
Low-profile, contemporary design  
10 year warranty  
350 W x 345 H

### Dryers



**B-7128 Trimline™ Hand Dryer**

Satin Finish Stainless Steel Cover  
Low-profile, contemporary design  
10 year warranty  
350 W x 345 H



**B-700 Aircraft® Hand Dryer**

Cast-iron, Vitreous Enamel Cover  
10 year warranty  
350 W x 265 H



**B-750 Recessed Aircraft® Hand Dryer**

Cast-iron, Vitreous Enamel Cover  
10 year warranty  
385 W x 300 H

### Baby Change



**KB108 Horizontal Oval Baby Changing Station**

Polypropylene:  
Changing surface: 0.2 m<sup>2</sup>  
860 W x 521 H  
Available in Colours;

**-00** CREAM

**-12** GREY GRANITE



**KB110-SSRE Recessed Horizontal Baby Changing Station**

Satin Finish Stainless Steel  
High density grey polyethylene  
939 W x 584 H



**KB110-SSWM Surface Mounted Baby Changing Station**

Satin Finish Stainless Steel  
High density grey polyethylene  
829 W x 508 H

### Baby Change



**KB100-ST Recessed Horizontal Baby Changing Station**

Brushed-finish Stainless Steel  
High density polyethylene interior  
940 W x 584 H



**KB111-SSRE Semi-Recessed Vertical Baby Changing Station**

Brushed-finish Stainless Steel  
High density polyethylene interior  
615 W x 999 H



**KB111-SSWM Surface Mounted Vertical Baby Changing Station**

Brushed-finish Stainless Steel  
High density polyethylene interior  
565 W x 958 H

### Baby Change



**KB112-01CT Countertop Mounted Baby Change Station**

High-density grey polyethylene  
927 W x 575 H



**KB112-01RE Countertop Recessed Baby Change Station**

High-density grey polyethylene  
812 W x 498 H



**KB150-99 Sanitary Bed Liners**

500 liners per carton

### Shower Seats



**B-819687 Phenolic Folding Shower Seat**  
Meets DDA Compliance Code  
Satin Finish Stainless Steel Frame  
960 W x 355 H



**B-517 Folding Shower Seat With Padded Cushion**  
Satin Finish Stainless Steel Frame  
Left hand seat  
835 W x 540 H



**B-518 Folding Shower Seat With Padded Cushion**  
Satin Finish Stainless Steel Frame  
Left hand seat  
835 W x 540 H

### Shower Seats



**B-5181 Reversible Solid Phenolic Folding Shower Seat**  
Satin Finish Stainless Steel Frame  
840 W x 530 H



**B-5191 Solid Phenolic Folding Shower/Dressing Area Seat**  
Satin Finish Stainless Steel Frame  
455 W x 365 H

### Soap Dishes



**B-4380 Recessed Heavy Duty Soap Dish**  
Matte Finish Stainless Steel  
185 W x 125 H x 73 D



**B-680 Surface Mounted Soap Dish**  
**B-6807**  
B-680 Bright Finish Stainless Steel  
B-6807 Satin Finish Stainless Steel  
110 W x 50 H x 85 D



**B-661 Recessed Soap Dish**  
**B-6617**  
B-661 Bright Finish Stainless Steel  
B-6617 Satin Finish Stainless Steel  
125 W x 125 H x 73 D



**B-290 Mirror**  
Glass Mirror, Channel Frame  
Satin Stainless Steel Finish  
(Type 304). Standard sizes available  
eg. B-290 2436: 610 W x 910 H



**B-165 Mirror**  
Glass Mirror, Angle Frame  
Bright Stainless Steel Finish  
(Type 400). Standard sizes available  
eg. B-165 2436: 610 W x 910 H



**B-319584 Mirror (Tilt)**  
Glass Mirror.  
Satin Stainless Steel Frame  
406 W x 960mm H



**B-293 2436 Mirror (Tilt)**  
Glass Mirror  
Satin Stainless Steel Frame  
610 W x 910 H



**B-2908 1830 Mirror**  
Safety Glass Mirror.  
Angle Frame  
Satin Stainless Steel Finish  
460 W x 760 H



**B-1658 1639 Mirror**  
Safety Glass Mirror.  
Channel Frame  
Bright Stainless Steel Finish  
406 W x 990 H



**B-292 Mirror W/Shelf**  
Glass Mirror, Stainless Steel Frame  
& Shelf (Type 304)  
Standard sizes are available  
eg. B-292 2436: 610 W x 910 H



**B-166 Mirror W/Shelf**  
Glass Mirror, Stainless Frame  
& Shelf (Type 400).  
Standard sizes available  
eg. B-166 2436: 610 W x 910 H



**B-1556 Mirror Frameless Stainless Steel**  
Highly Reflective Polished Metal  
Custom sizes available  
eg. B-1556 2436: 597 W x 902 H