



# SECURITY WASH BASIN - FRONT FIXED



RBA8880-100 Security Wash Basin

### Special Features

- 1.6mm thick Stainless Steel
- Suicide & Vandal Resistant
- No gaps or crevices for concealment of contraband
- Integral undershroud to conceal pipework
- \*\*\*Includes Self Closing Tapware\*\*\*
- Front fixed
- Adjustable run time

### Description

Front access suicide resistant design manufactured from 1.6mm thick type 304 stainless steel - satin finish. Unit is designed for front fixing.

### Tapware

Basin is supplied with anti-suicide spout and single temperature push button operated timed flow control valve - factory set at approximately 45 seconds. Flow time can be adjusted between 5 to 60 seconds.

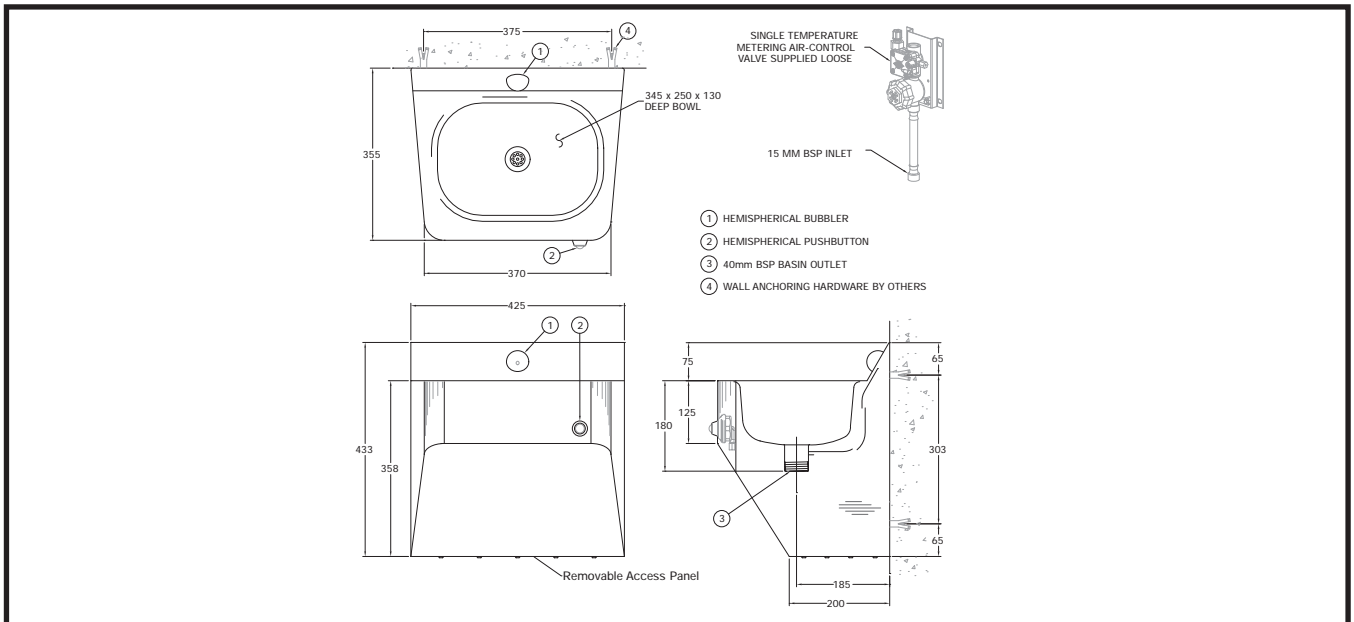
### Installation

Front fixing bolts and anchors to be supplied by others. A removable access panel is installed with security screws for ease of installation and maintenance. Also provided with the security wash basin is a 40mm BSP waste connection and 15mm BSP inlet connection. Front fixing bolts and anchors to be supplied by others.

### Inlet & Outlet Connections

The security Wash Basin is supplied as standard with a 40mm BSP waste connection and a 15mm inlet connection.

**Important:** Installation instructions and current rough-in details should be furnished with each fixture. Do not rough in without certified dimensions. Dimensions are subject to manufacturer's tolerance of +/-10mm.



As improvements in the design and performance of RBA products are continuous, specifications may be subject to change without notice. The illustrations and descriptions herein are applicable to production as of the date of this Technical Data Sheet. Revised 04/12

© 2012 by RBA Group TD/Model RBA8880-100/0412