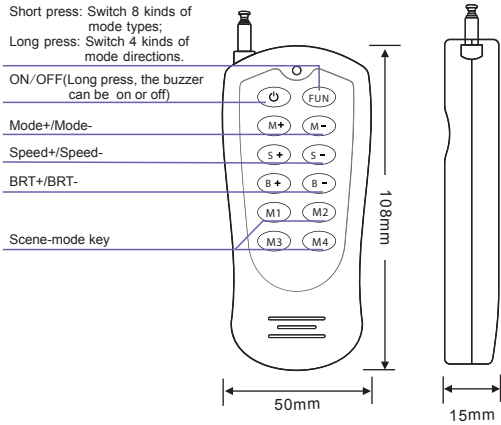


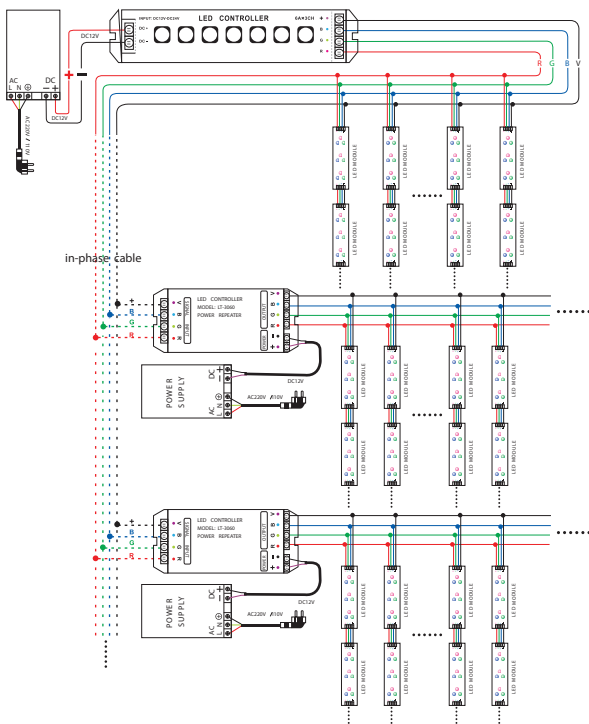
RGB LED CONTROLLER

The AL3600RC multi function controller which can provide multiple colour changing options, preset scene control, dimming and speed control. The AL3600RC is a stand alone device or can be used inconjunction with the 3060 expansion module to allow the controller to control an unlimited number of LED modules, this multifunction controller can be controlled via the onboard key pad or via the remote control unit supplied with the controller.



IR Remote Control

ProductCode	WiFi-102
Input Voltage	12 - 24V DC
Output Current	4Ax 3CH 12Ampd Max
Output Power	144W(12V0/288 (24V)
Control Distance	100 Metres Max
Weight	290g
Ambient Temp Range	-20°C~+50°C
Colour change modes	32 fixes modes, 8 DIY modes)
Control output	single colour,color temp, RGB
Package size	L265 x W36 x H44



Repeaters are All Connected to Controller in Parallel.

